

US00D972972S

(12) **United States Design Patent** (10) **Patent No.:** **US D972,972 S**
Xu (45) **Date of Patent:** **** Dec. 20, 2022**

(54) **GLASS WEIGHT**

(71) Applicant: **Feifei Xu**, Shenzhen (CN)

(72) Inventor: **Feifei Xu**, Shenzhen (CN)

(**) Term: **15 Years**

(21) Appl. No.: **29/771,952**

(22) Filed: **Feb. 26, 2021**

(51) **LOC (13) Cl.** **11-02**

(52) **U.S. Cl.**
USPC **D11/131; D7/372**

(58) **Field of Classification Search**
USPC ... D11/14-15, 30-33, 37-38, 44, 48-70, 74,
D11/75, 81-88, 117-125, 128, 130,
D11/130.1, 131-132, 133-164, 184,
D11/203-205, 209, 211, 217, 219, 229,
D11/232-235, 238-241; D21/621;
D7/372
CPC A63H 3/12; A23P 10/00; A42B 1/004
See application file for complete search history.

(56) **References Cited**

U.S. PATENT DOCUMENTS

D132,560 S *	5/1942	Sawyer	D11/153
D213,213 S *	1/1969	Horton	D7/576
D226,530 S *	3/1973	Carasso	H01R 43/0228
				D7/672
D278,113 S *	3/1985	Prophet, Jr.	D7/553.6
5,922,993 A *	7/1999	Ide	H01R 43/0228
				174/84 R
D529,396 S *	10/2006	Whipple	D9/425
D672,213 S *	12/2012	Abrams	D7/675
D675,888 S *	2/2013	Cline	D7/675
8,499,490 B2 *	8/2013	Whitten	B01D 46/10
				47/17
D854,892 S *	7/2019	Bacher	B01D 46/10
				D7/669
2020/0171399 A1 *	6/2020	Bonacum	A63H 1/00

FOREIGN PATENT DOCUMENTS

GB 6120665 * 2/2021

OTHER PUBLICATIONS

Sekmet Fermentation Glass Weights, published on (Dec. 11, 2020) on amazon.com, retrieved from internet (Sep. 7, 2022). <URL: https://www.amazon.com/Fermentation-Fermenting-Sauerkraut-Vegetables-Dishwasher/dp/B08QDJY71Q/ref=sxin_14_pa_sp_search_thematic_sspa> (Year: 2020).*

Glass Fermented Weights Easy Lift, published on (Jul. 8, 2020) on amazon.com, retrieved from internet (Sep. 7, 2022). <URL: https://www.amazon.com/dp/B07RK36W7H/ref=sspa_dk_detail_4> (Year: 2020).*

Easy Grip Fermenting Lids, published on (May 7, 2018) on amazon.com, retrieved from internet (Sep. 7, 2022). <URL: <https://www.amazon.com/Fermentation-Weights-Grooved-Handles-Fermenting/dp/B07CXJ92CG>> (Year: 2018).*

* cited by examiner

Primary Examiner — Joseph Kukella

Assistant Examiner — Heather Ann Laaveg Wencil

(74) *Attorney, Agent, or Firm* — Jeenam Park

(57) **CLAIM**

The ornamental design for a glass weight, as shown and described.

DESCRIPTION

FIG. 1 is a perspective view of a glass weight showing my new design;

FIG. 2 is a front view thereof;

FIG. 3 is a back view thereof;

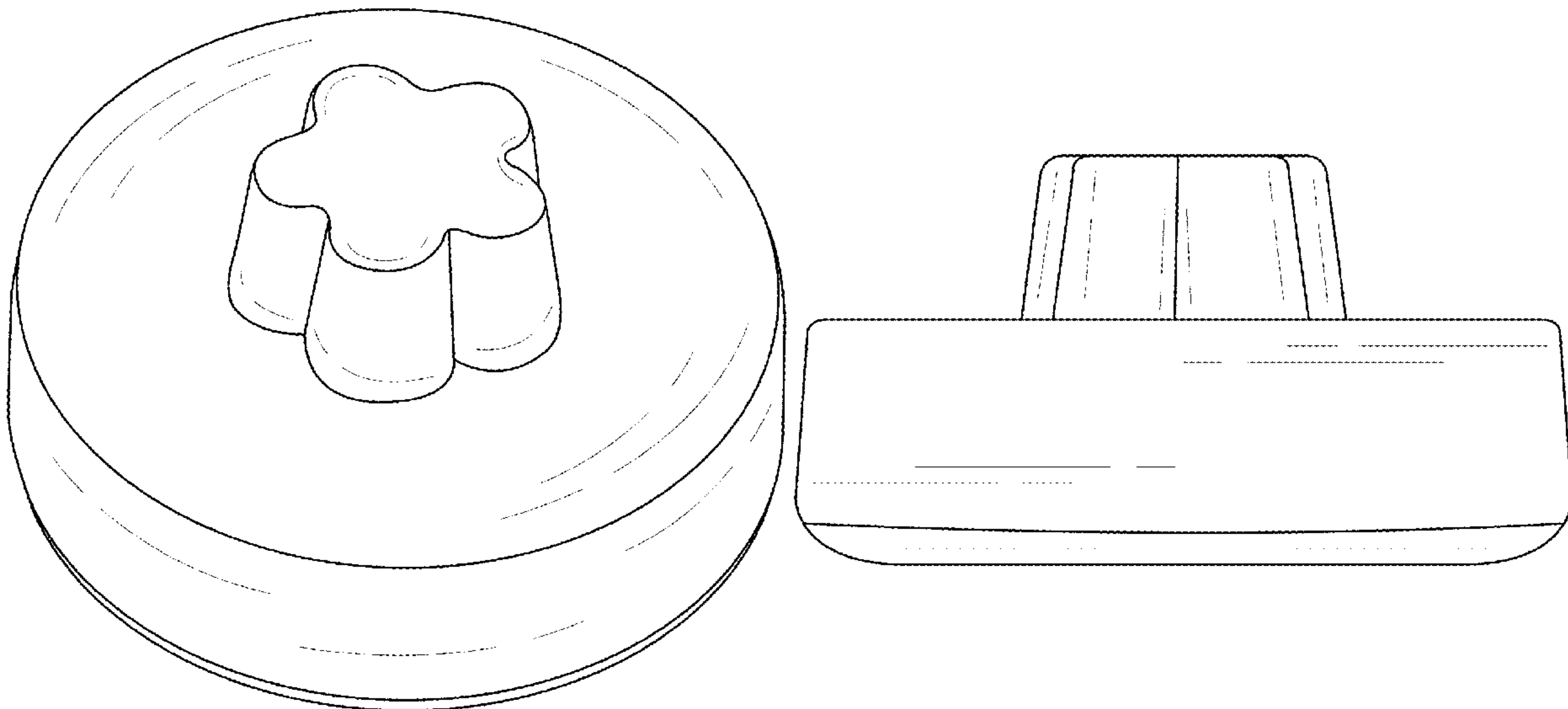
FIG. 4 is a left side view thereof;

FIG. 5 is a right side view thereof;

FIG. 6 is a top view thereof; and,

FIG. 7 is a bottom view thereof.

1 Claim, 7 Drawing Sheets



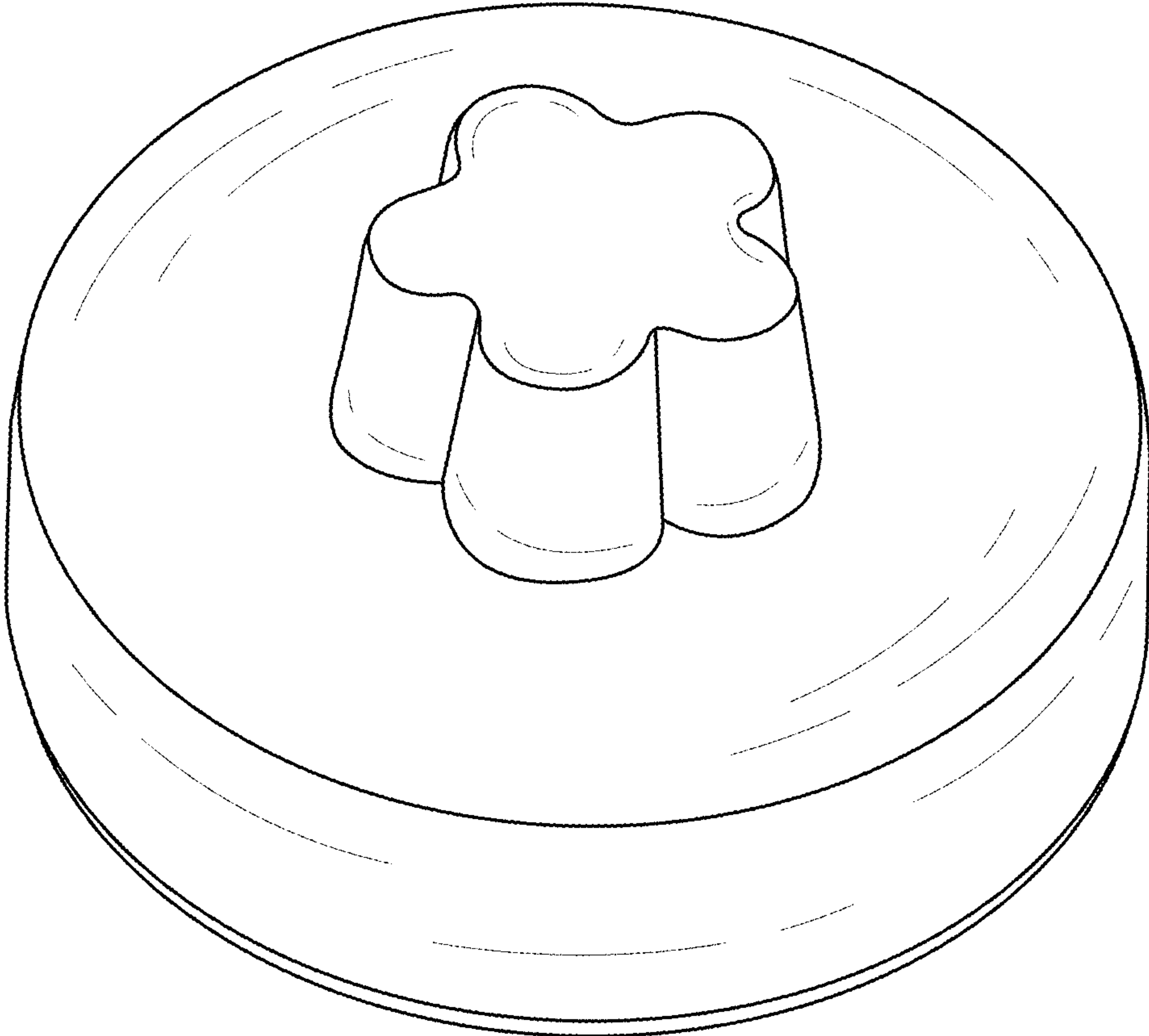


FIG. 1

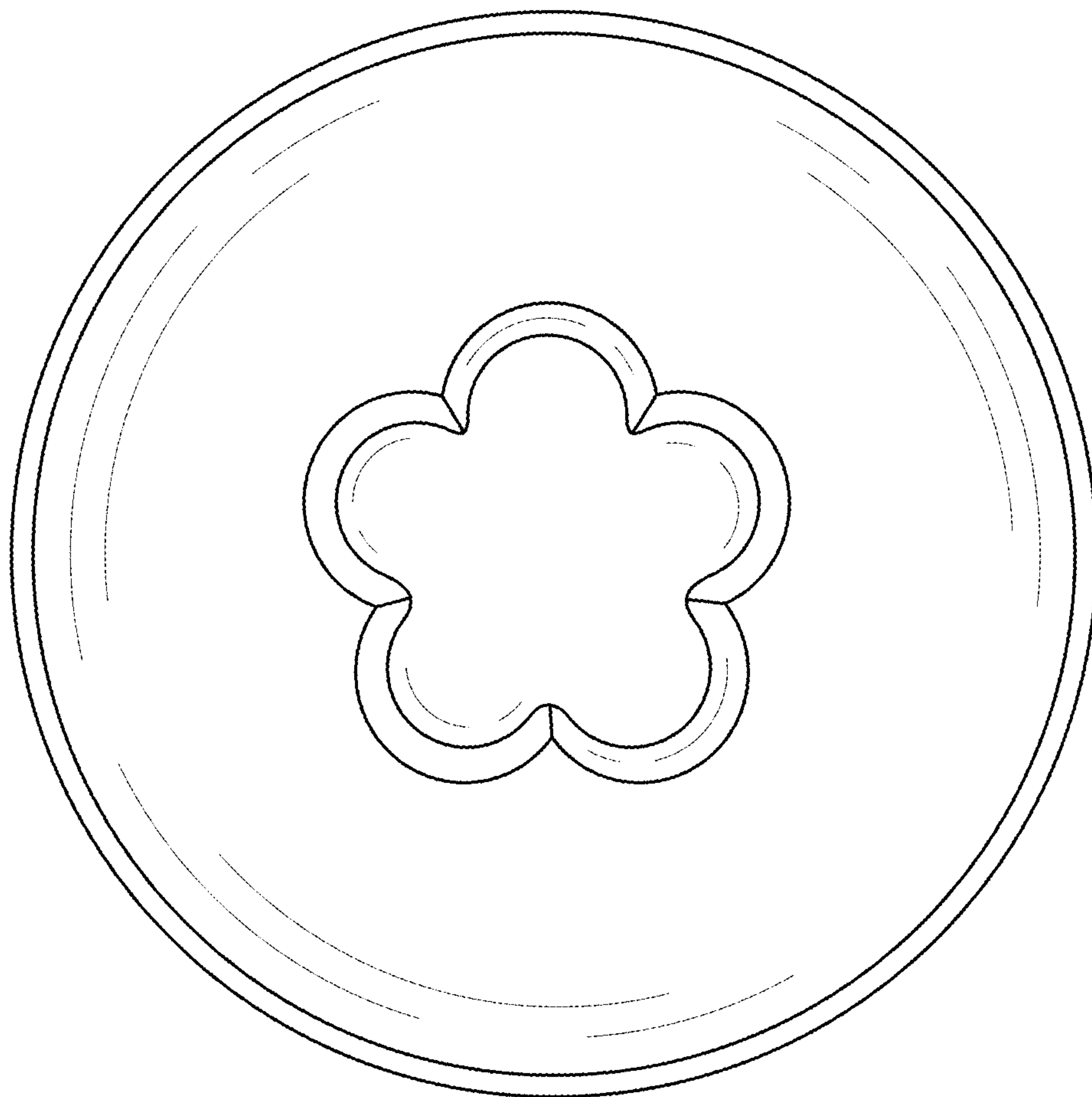


FIG. 2

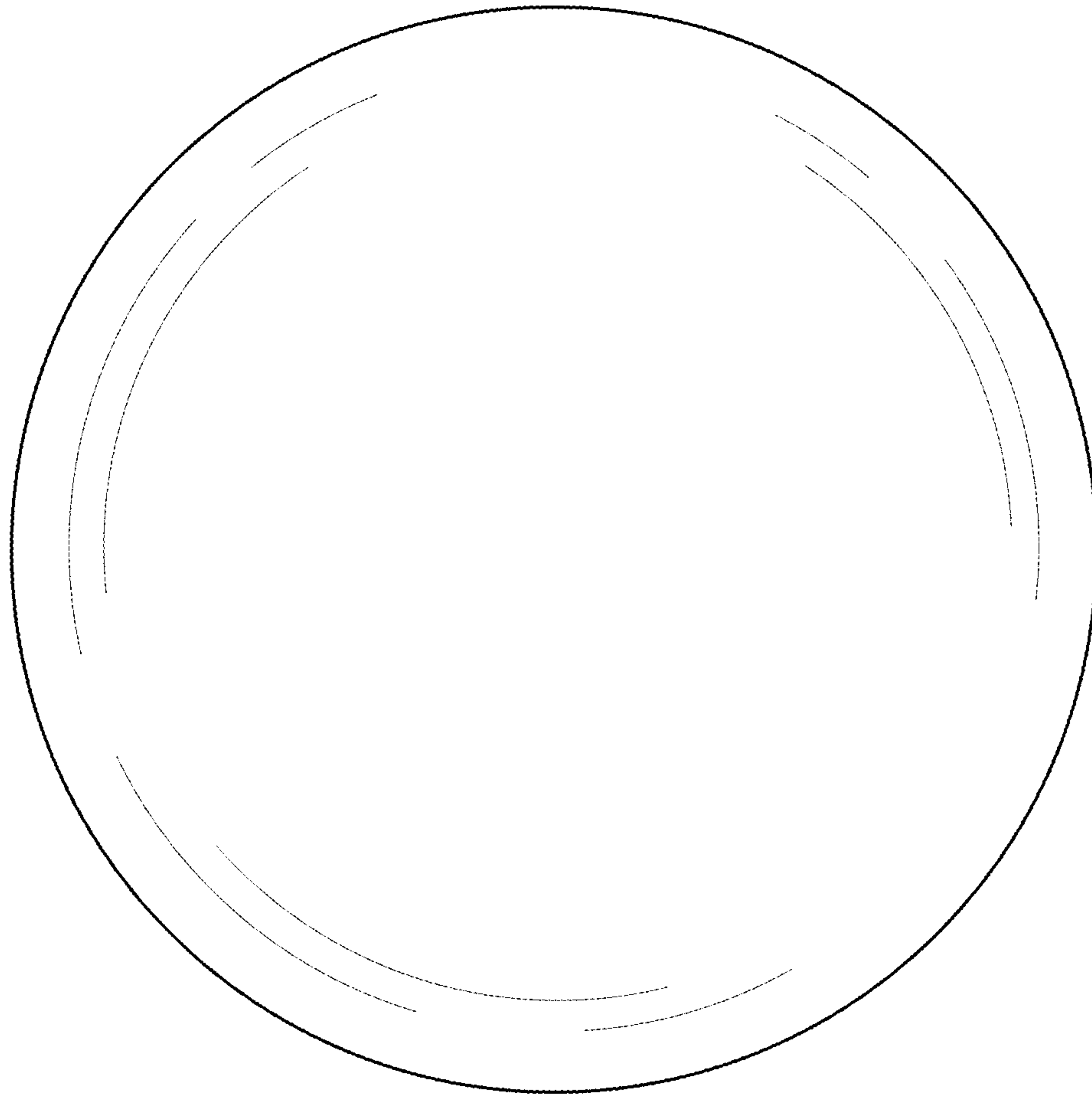


FIG. 3

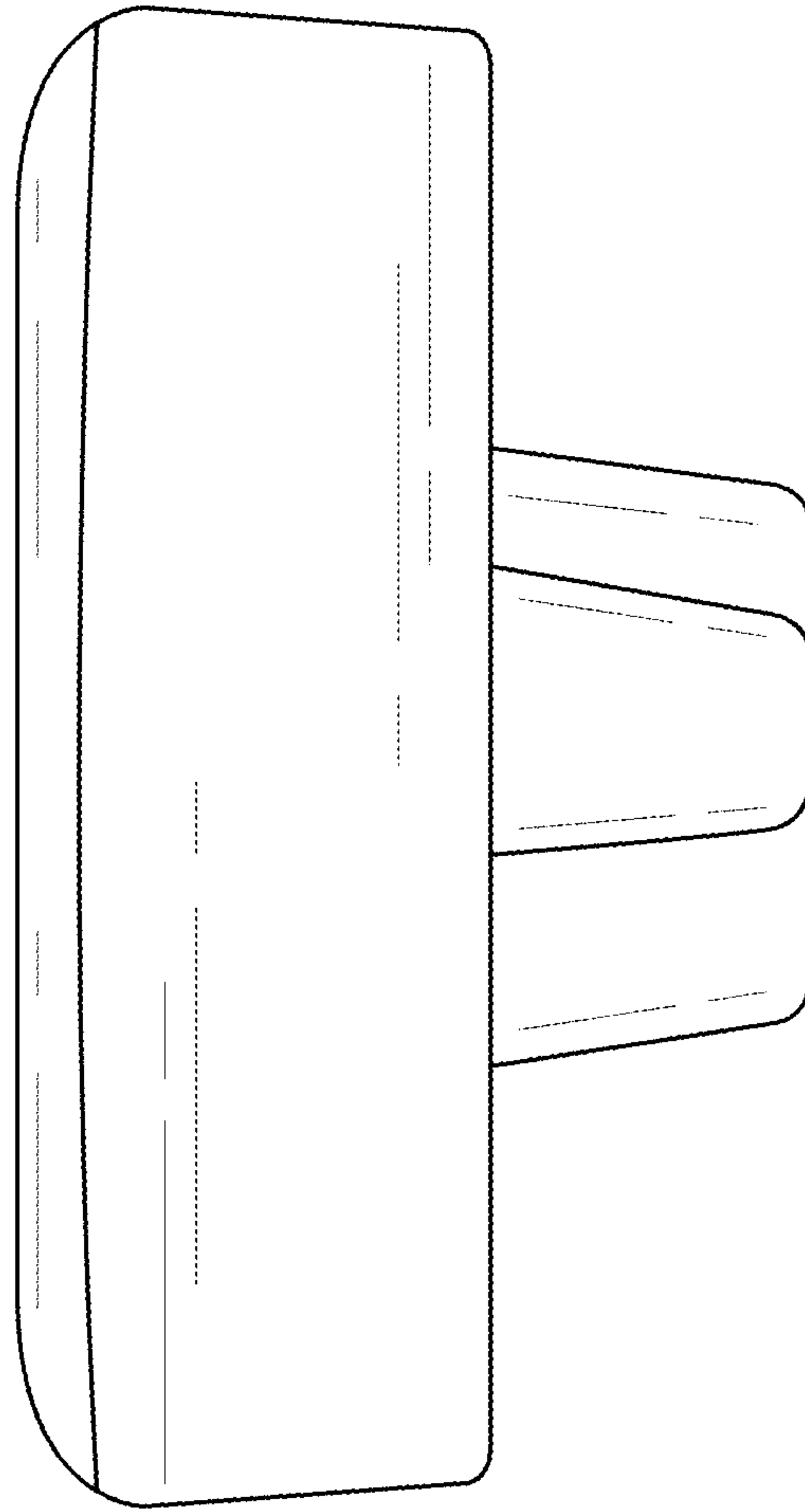


FIG. 4

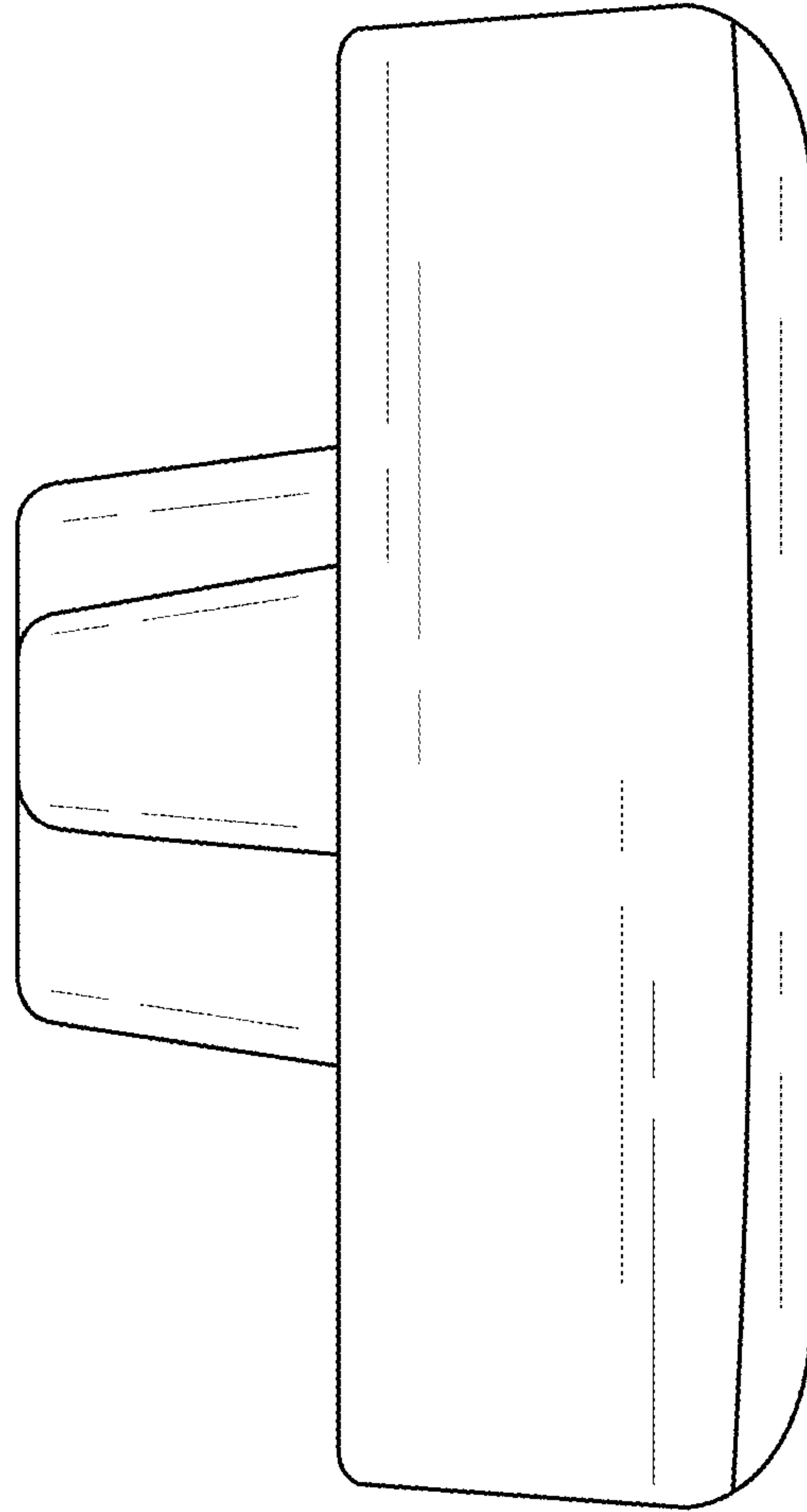


FIG. 5

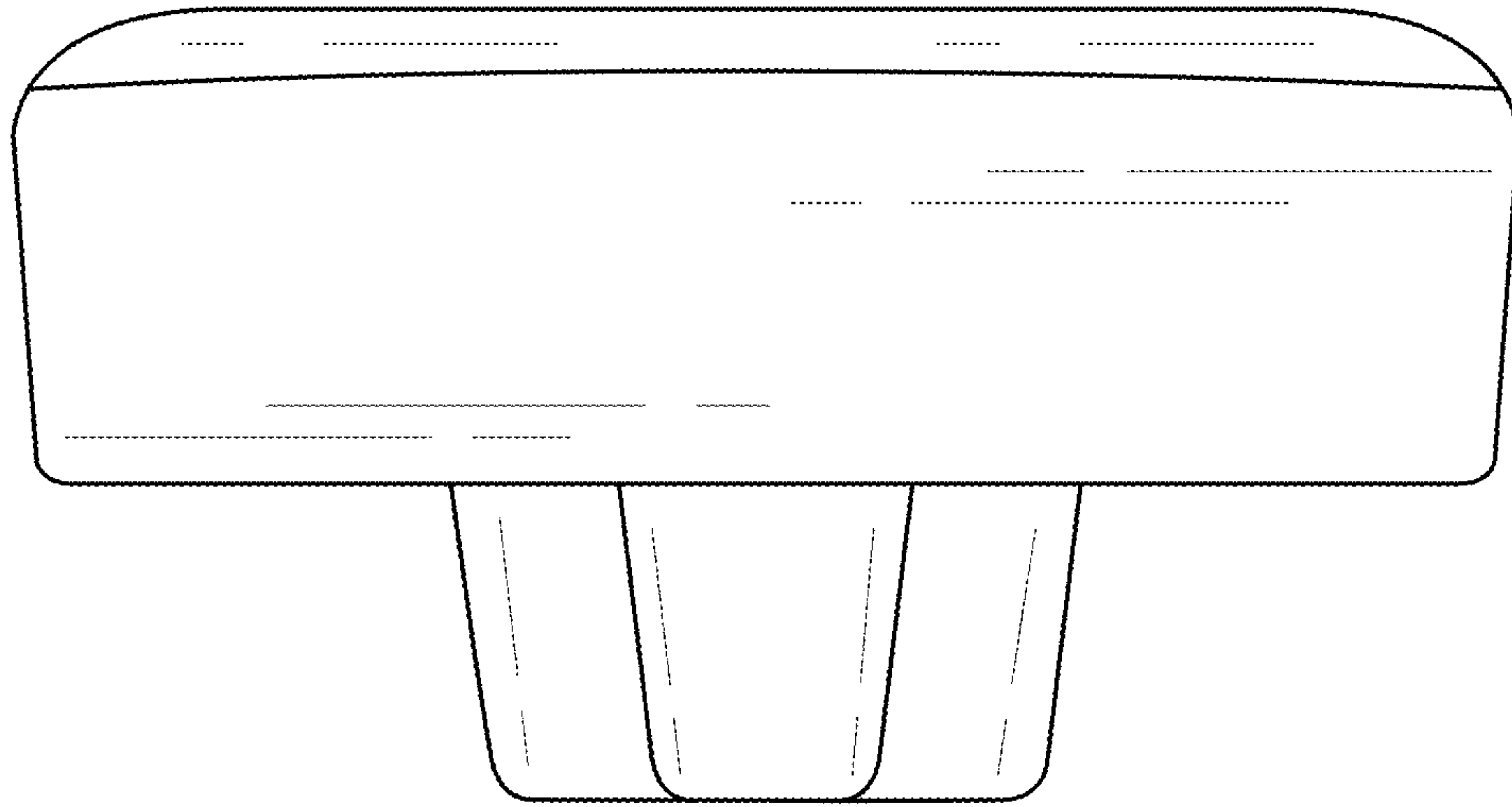


FIG. 6

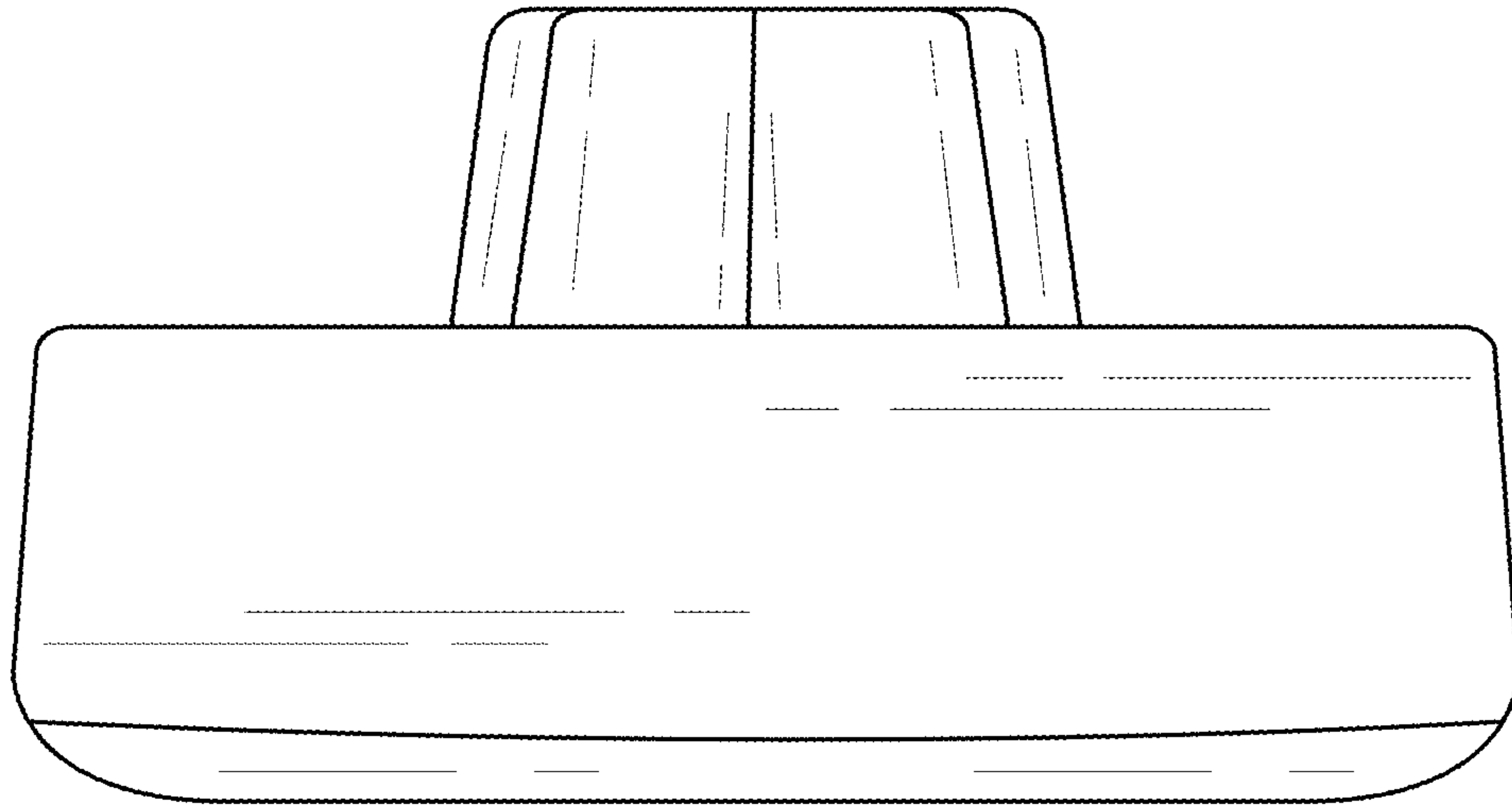


FIG. 7