



US00D972959S

(12) **United States Design Patent**
Hu

(10) **Patent No.:** **US D972,959 S**

(45) **Date of Patent:** **** Dec. 20, 2022**

(54) **WATCHBAND**

(71) Applicant: **Bo Hu**, Beijing (CN)

(72) Inventor: **Bo Hu**, Beijing (CN)

(**) Term: **15 Years**

(21) Appl. No.: **29/849,380**

(22) Filed: **Aug. 10, 2022**

(51) **LOC (13) Cl.** **11-01**

(52) **U.S. Cl.**
USPC **D11/12**

(58) **Field of Classification Search**
USPC D11/1-25, 86, 93, 94; D10/30-39, 70,
D10/46; D24/186, 167; D14/344;
D2/627, 635

CPC G04B 37/1486; G04B 37/16; G04B 37/18;
A44C 5/14; A44C 5/0053; A44C 5/0069;
A44C 5/0076; A44C 5/00; A44C 5/0007;
A44C 5/0015; A44C 5/0023; A44C
5/003; A44C 5/0061; A44C 5/12; A44C
5/147; A44C 5/18; A44C 5/185

See application file for complete search history.

(56) **References Cited**

U.S. PATENT DOCUMENTS

D71,839 S *	1/1927	Klinkie	D11/15
D157,667 S *	3/1950	Glass	D11/12
D172,811 S *	8/1954	Speck	D11/15
D246,830 S *	1/1978	Lossini	D11/12
D294,683 S *	3/1988	Perrin	D11/19
D361,727 S *	8/1995	Koga	D10/30
D378,898 S	4/1997	Hayashi et al.	

D455,082 S *	4/2002	Kubo	D10/32
D456,282 S *	4/2002	Mucklai	D10/32
D703,552 S *	4/2014	Monachon	D10/32

* cited by examiner

Primary Examiner — Melanie Pellegrini

(74) *Attorney, Agent, or Firm* — Che-Yang Chen; Law Office of Michael Chen

(57) **CLAIM**

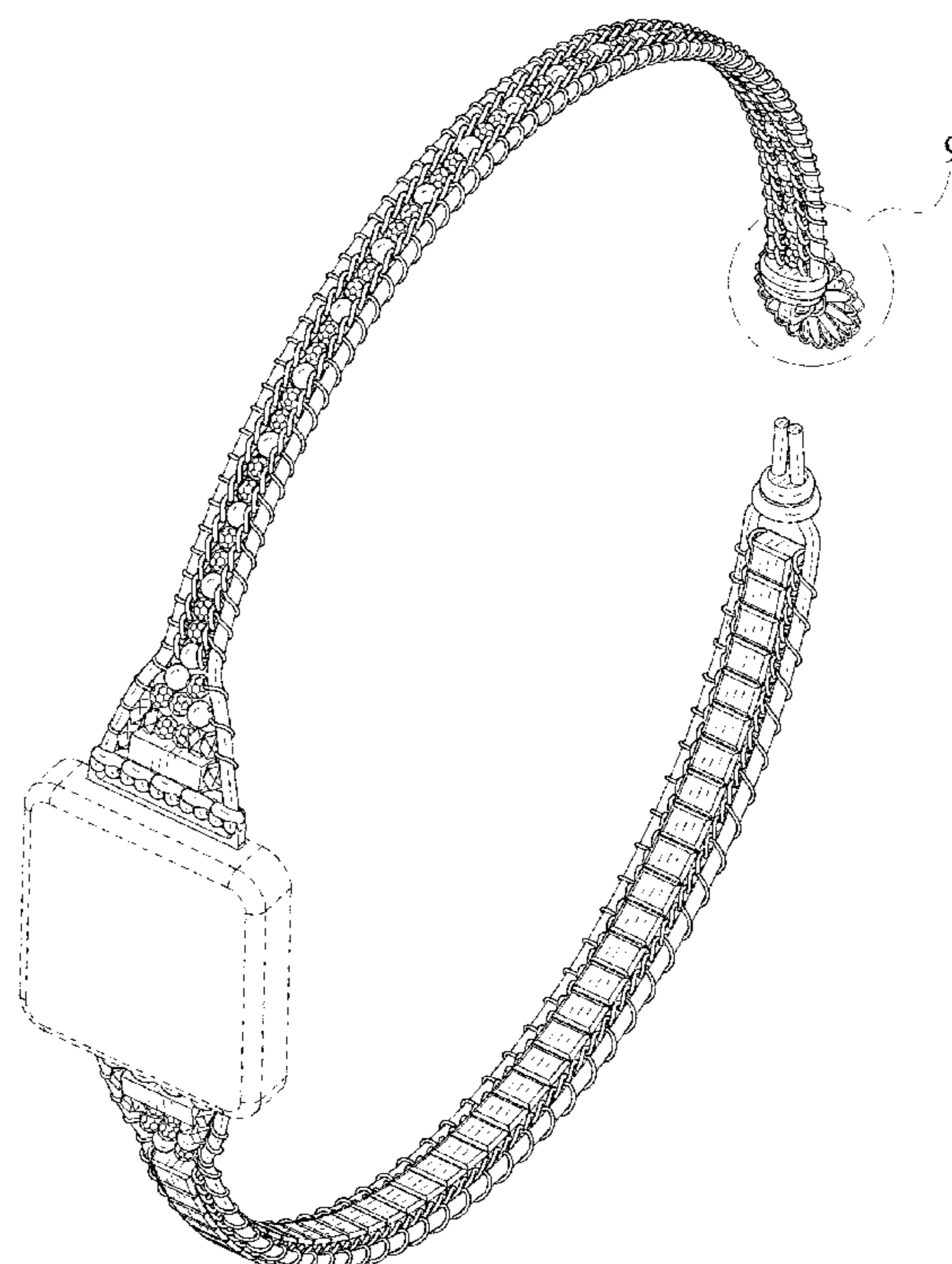
The ornamental design for a watchband, as shown and described.

DESCRIPTION

FIG. 1 is a perspective view of the watchband showing my new design;
 FIG. 2 is a perspective view thereof from another angle;
 FIG. 3 is a front elevational view thereof;
 FIG. 4 is a rear elevational view thereof;
 FIG. 5 is a left side elevational view thereof;
 FIG. 6 is a right side elevational view thereof;
 FIG. 7 is a top plan view thereof;
 FIG. 8 is a bottom plan view thereof;
 FIG. 9 is an enlarged view of a portion indicated with numeric 9 in FIG. 1; and,
 FIG. 10 is an enlarged view of a portion indicated with numeric 10 in FIG. 2.

The broken lines shown in the drawings represent portions of the watchband that form no part of the claimed design. The dot-dash lines represent a boundary and also form no part of the claimed design.

1 Claim, 10 Drawing Sheets



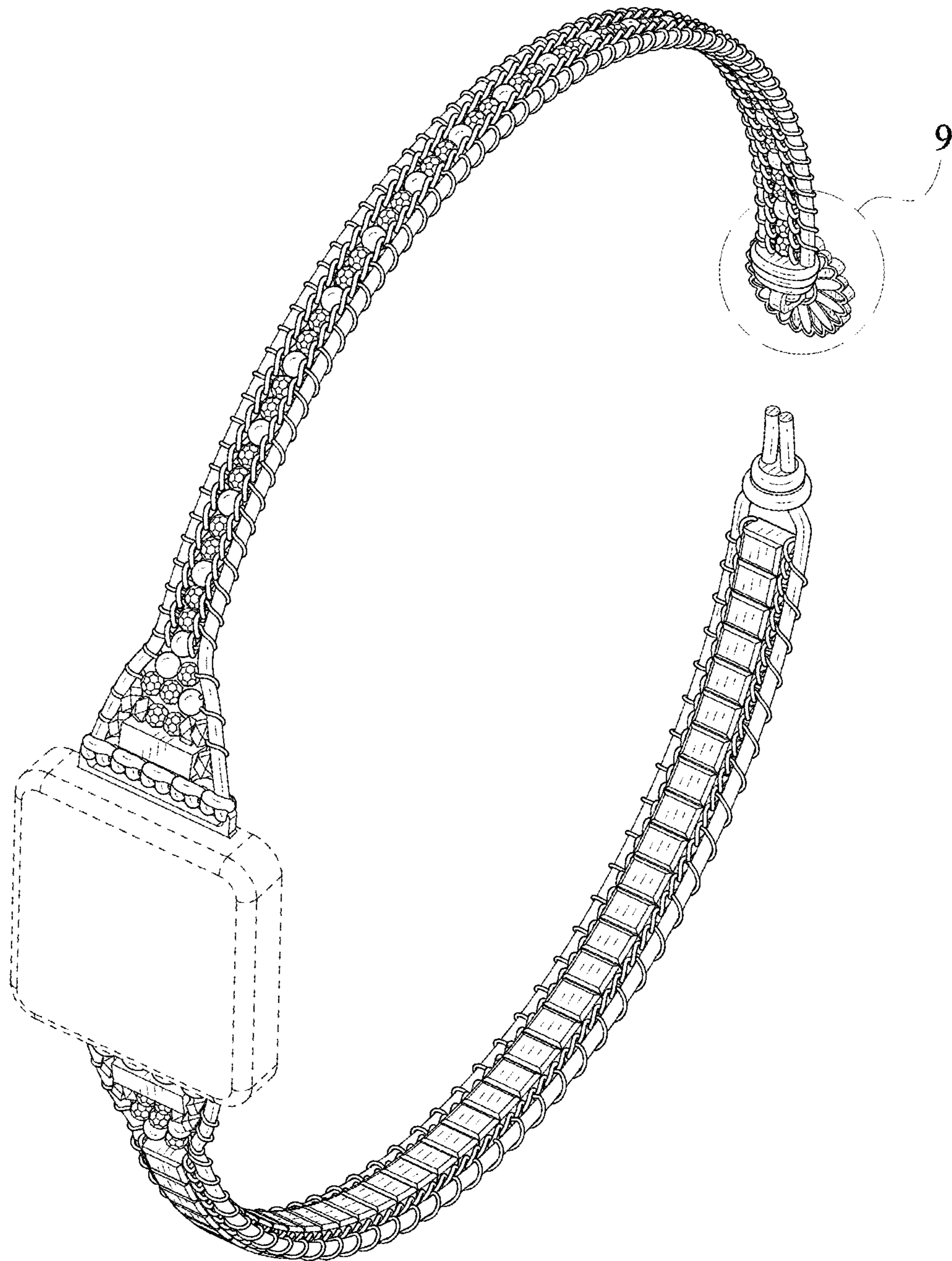


FIG. 1

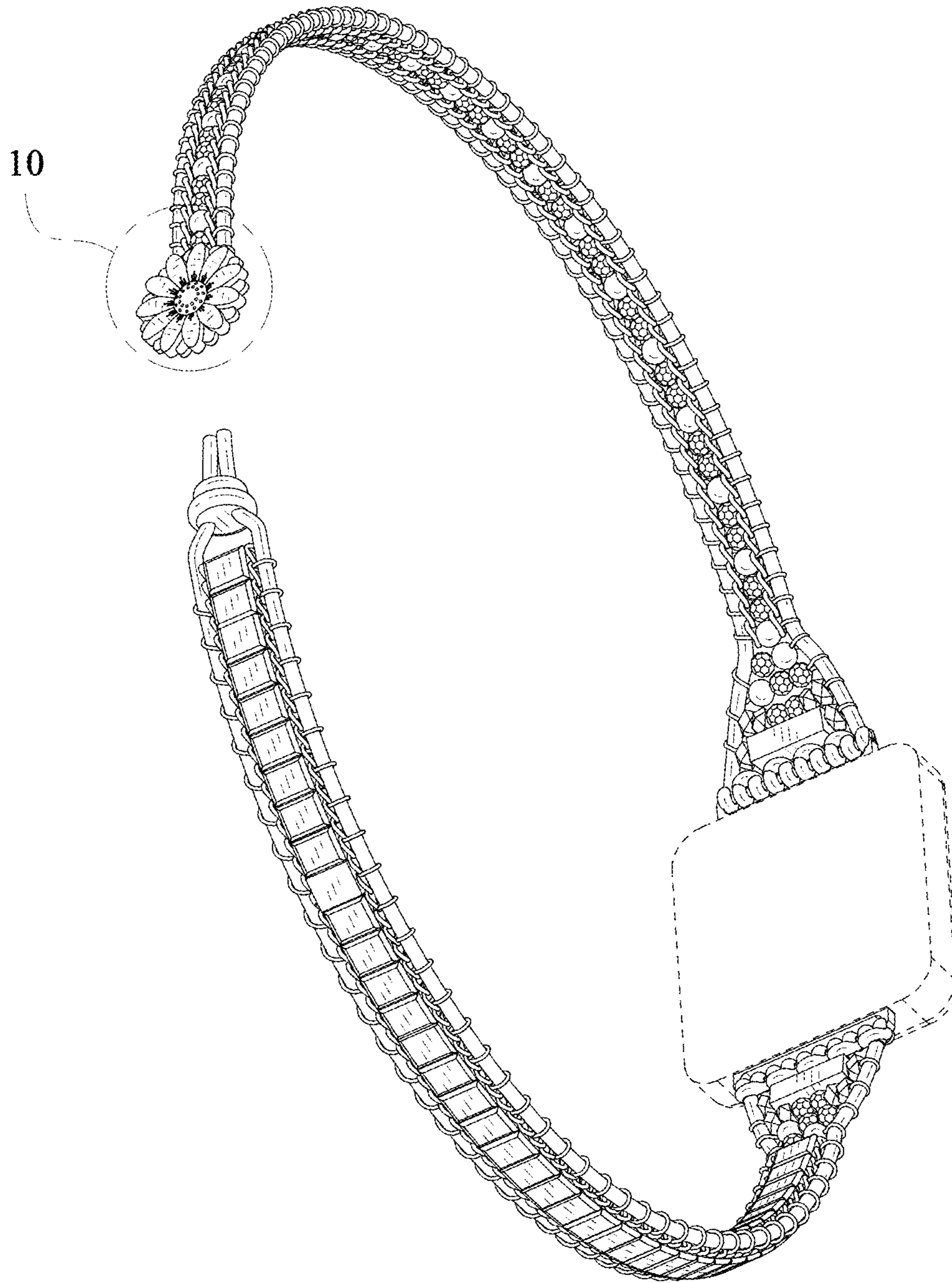


FIG. 2

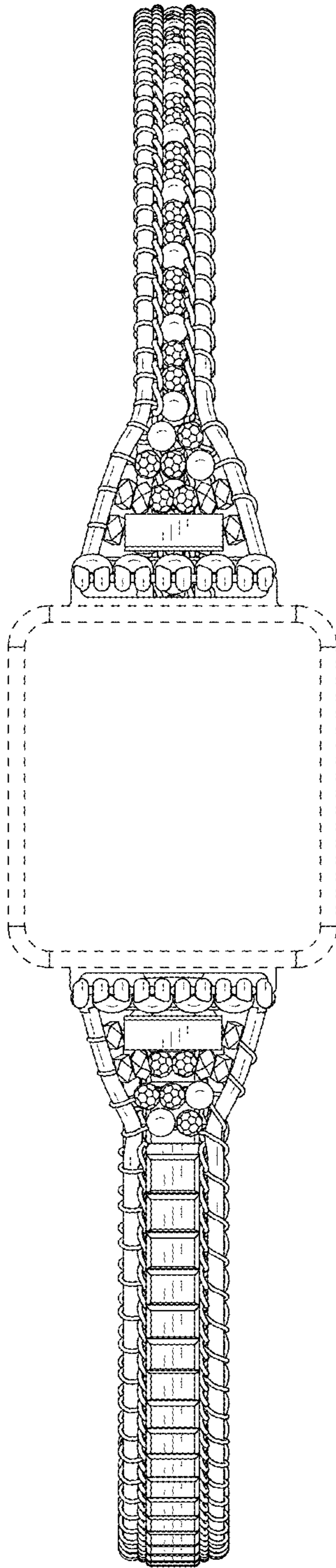


FIG. 3

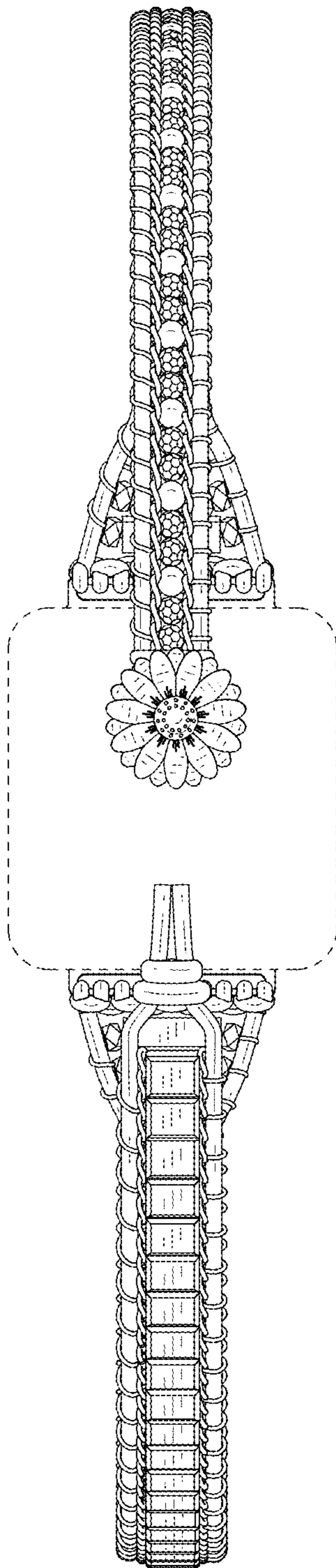


FIG. 4

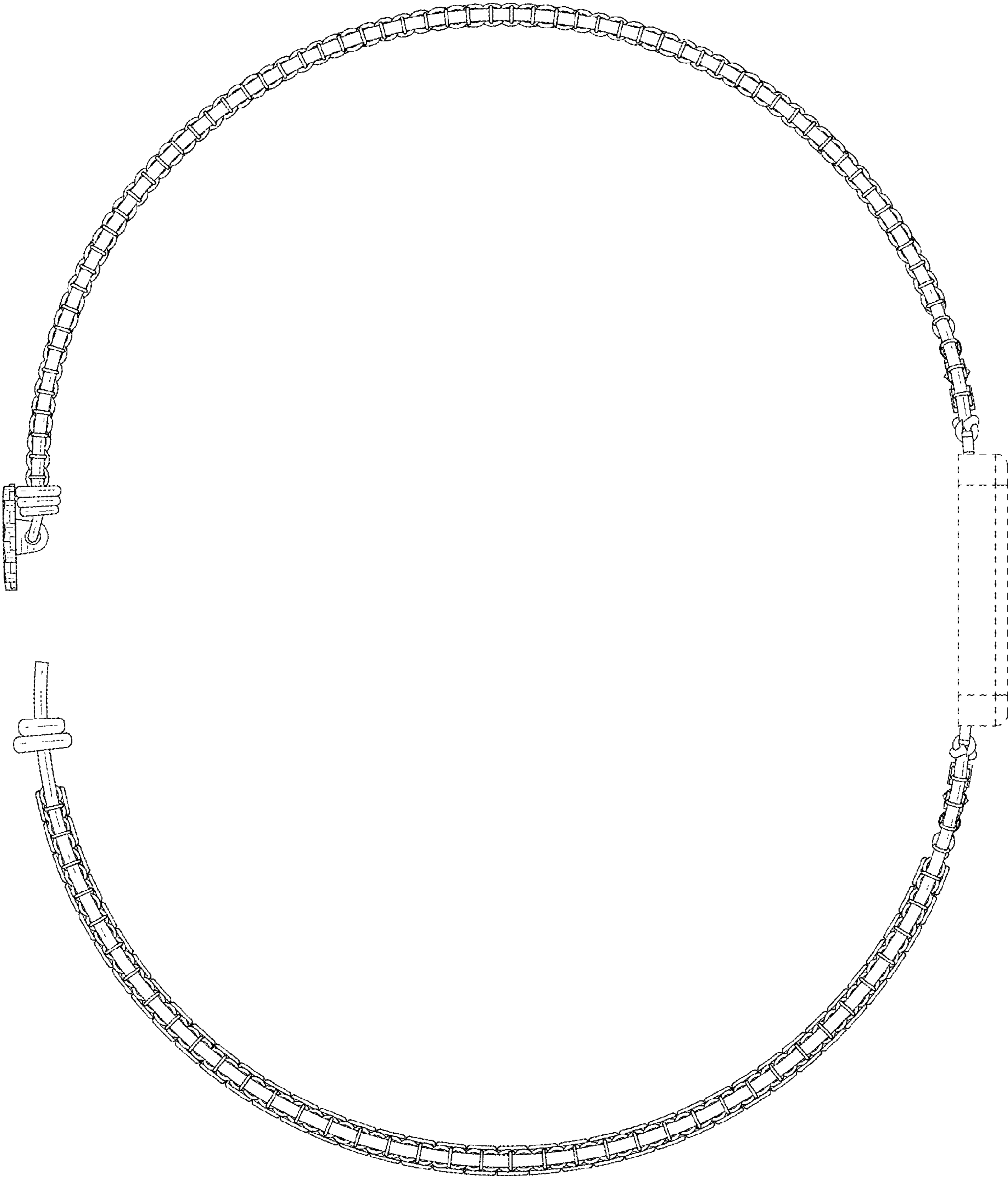


FIG. 5

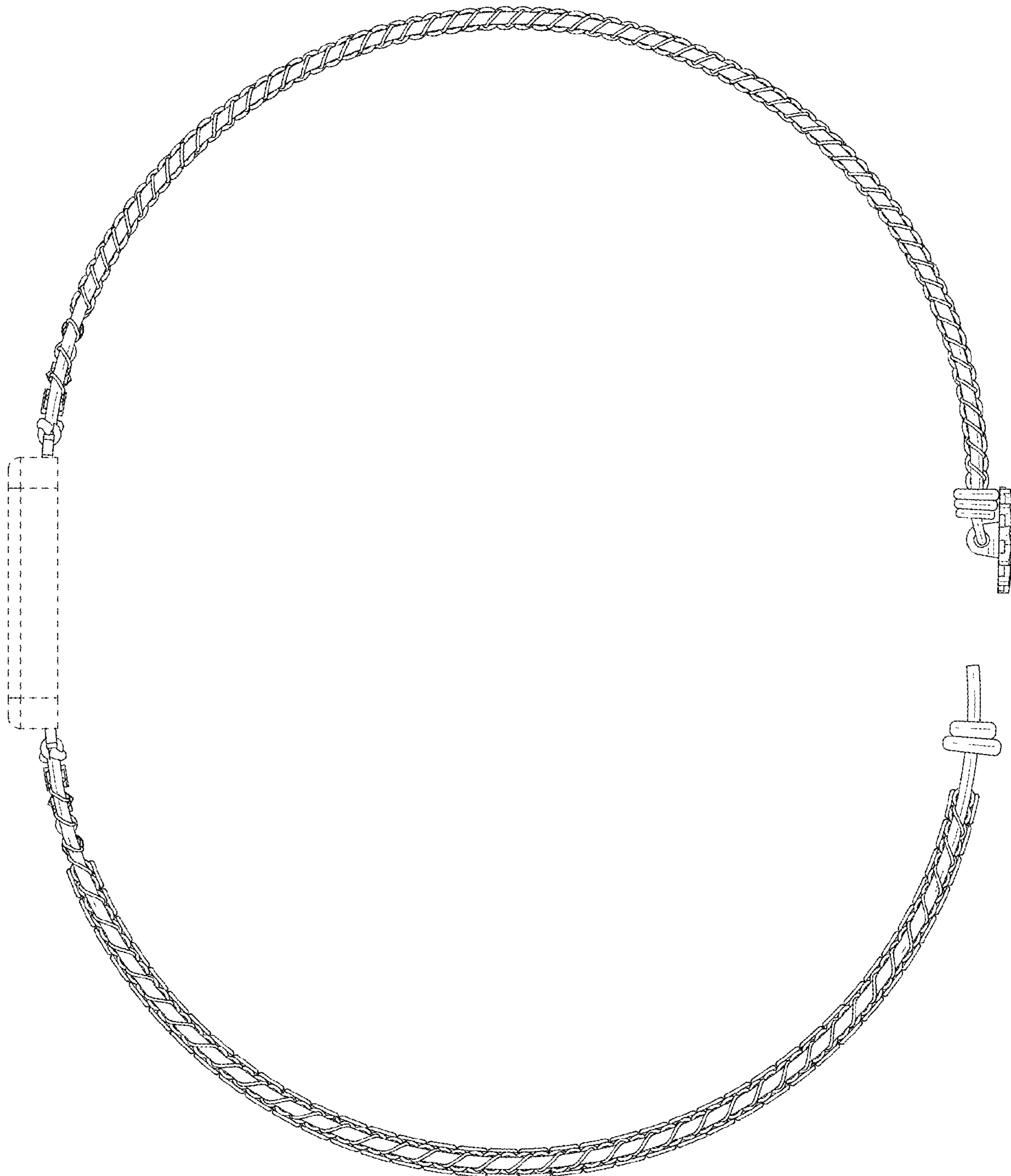


FIG. 6

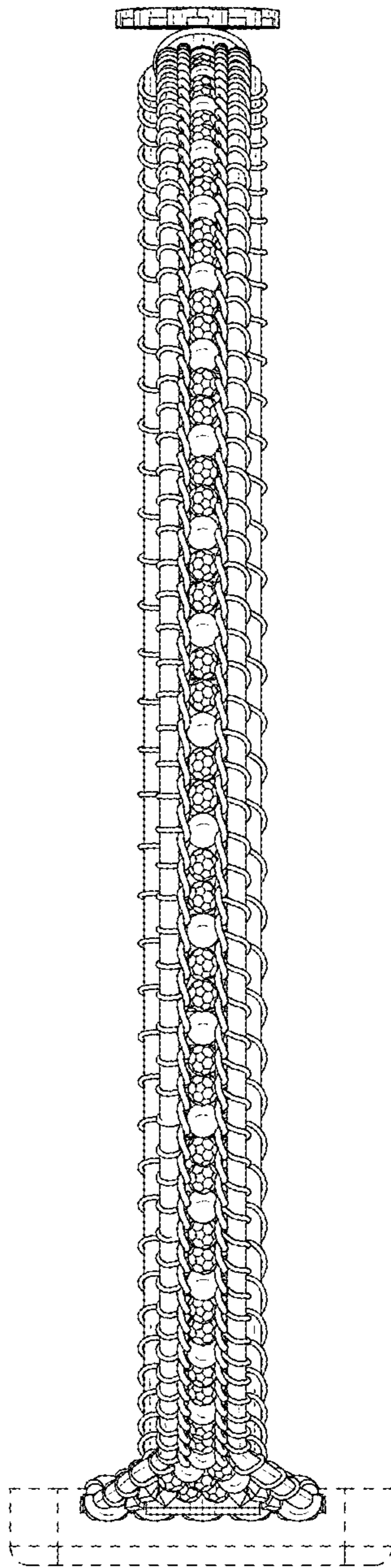


FIG. 7

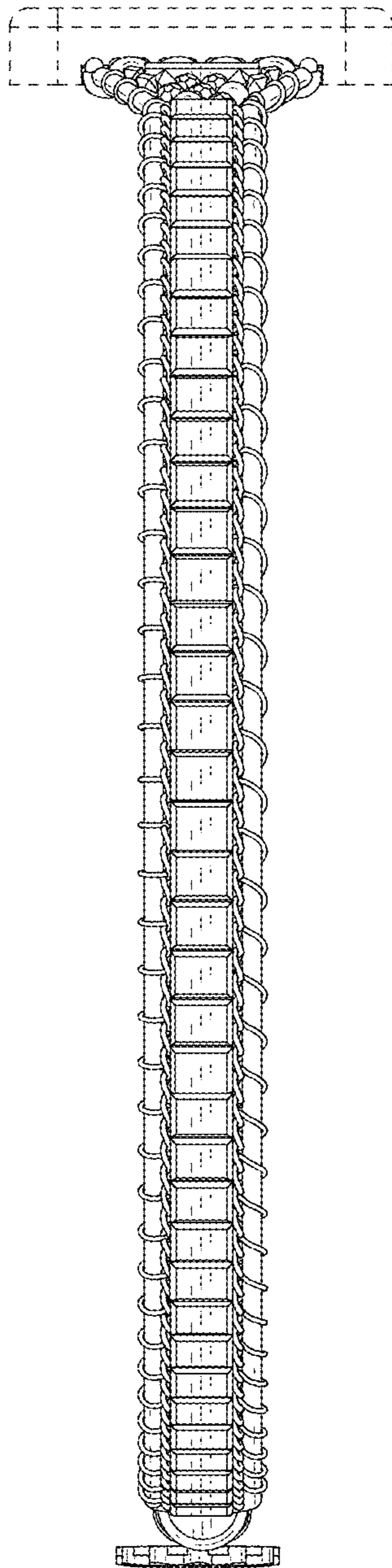


FIG. 8



FIG. 9

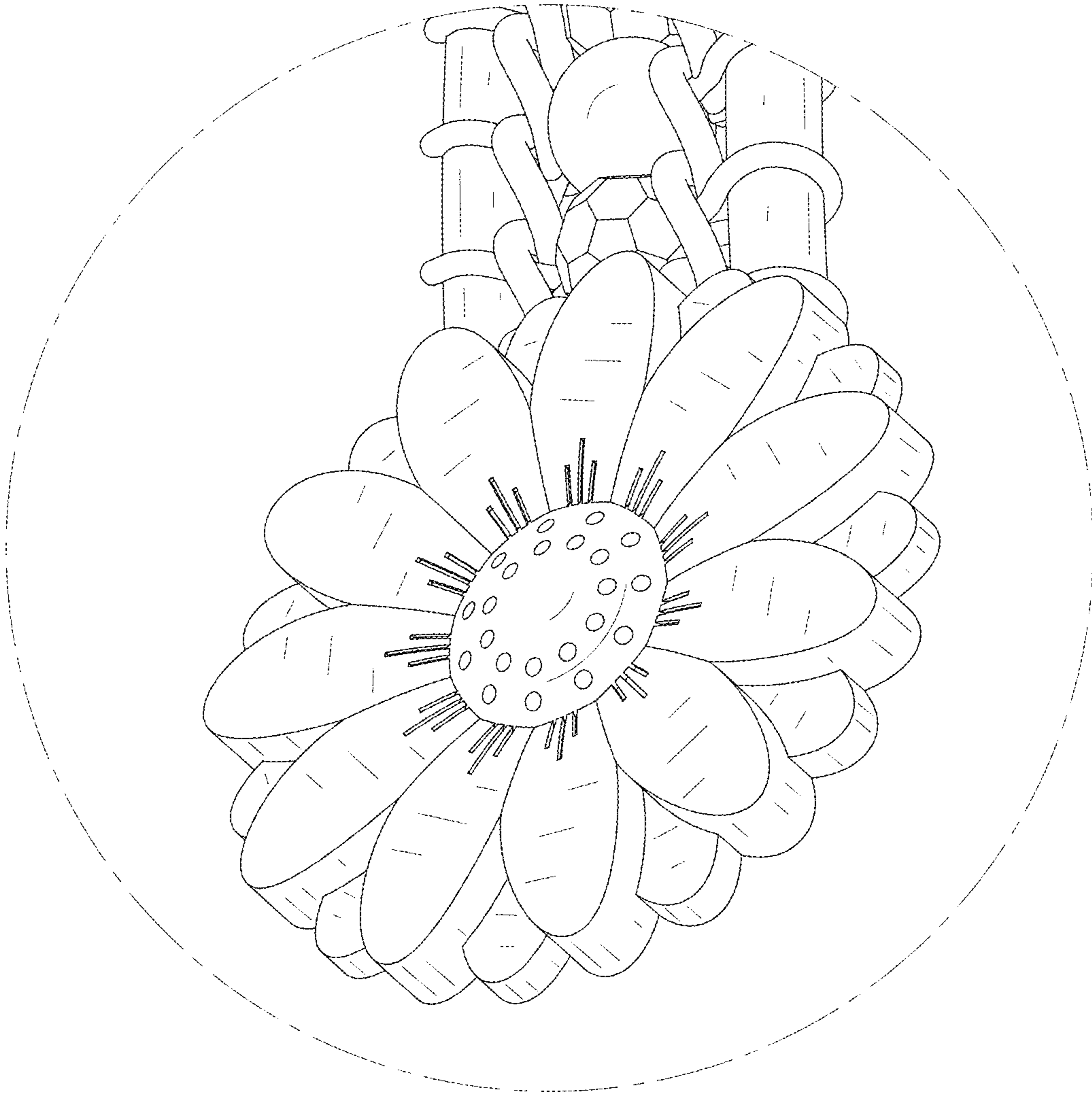


FIG. 10