



US00D972958S

(12) **United States Design Patent** (10) **Patent No.:** **US D972,958 S**  
**Luo** (45) **Date of Patent:** **\*\* Dec. 20, 2022**

(54) **WATCHBAND**  
(71) Applicant: **Shenzhen Zhouyang Innovation Technology Co., Ltd**, Shenzhen (CN)  
(72) Inventor: **Xuanjiao Luo**, Shenzhen (CN)  
(73) Assignee: **Shenzhen Zhouyang Innovation Technology Co., Ltd**, Shenzhen (CN)  
(\*\*) Term: **15 Years**  
(21) Appl. No.: **29/842,237**  
(22) Filed: **Jun. 10, 2022**  
(51) **LOC (13) Cl.** ..... **11-01**  
(52) **U.S. Cl.**  
USPC ..... **D11/3**  
(58) **Field of Classification Search**  
USPC ..... D11/1-5; D10/32  
CPC ..... A44C 5/0053  
See application file for complete search history.

D929,884 S 9/2021 Yi  
D956,609 S \* 7/2022 Yang ..... D11/3  
D959,316 S \* 8/2022 Yang ..... D11/3

**FOREIGN PATENT DOCUMENTS**

CN 304150290 \* 5/2017

**OTHER PUBLICATIONS**

Toyouths Beaded Bracelet Amazon pp. 1-9 2022 [https://www.amazon.com/TOYOUTH-Bracelet-Compatible-Premium-Stretchy/dp/B09QPQF7WR/ref=sr\\_1\\_11?th=1](https://www.amazon.com/TOYOUTH-Bracelet-Compatible-Premium-Stretchy/dp/B09QPQF7WR/ref=sr_1_11?th=1) (Year: 2022).\*

\* cited by examiner

*Primary Examiner* — Kevin K Rudzinski  
*Assistant Examiner* — Evans David Delesline  
(74) *Attorney, Agent, or Firm* — Jeenam Park

(57) **CLAIM**

The ornamental design for a watchband, as shown and described.

(56) **References Cited**

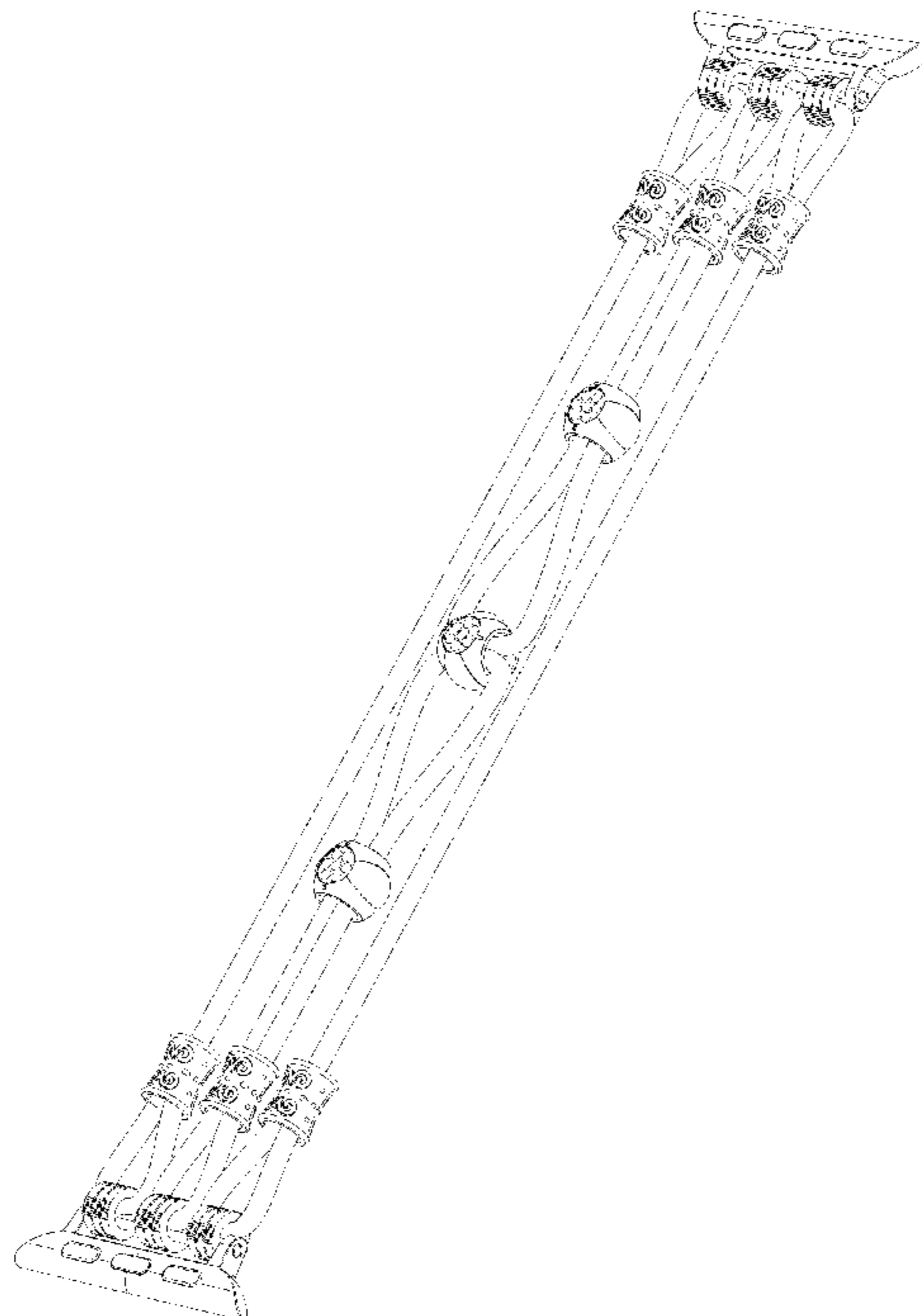
**U.S. PATENT DOCUMENTS**

D44,048 S \* 5/1913 Worms ..... D11/5  
D104,099 S \* 4/1937 Graef ..... D10/32  
D139,265 S \* 10/1944 Rubel ..... D10/32  
D145,831 S \* 10/1946 Arpels ..... D10/39  
D154,121 S \* 6/1949 Harman ..... D11/8  
2,811,294 A \* 10/1957 Sand ..... A44C 5/00  
224/172  
D310,333 S \* 9/1990 Fong ..... D10/32  
D390,128 S \* 2/1998 Toribio ..... D10/32  
D456,282 S \* 4/2002 Mucklai ..... D10/32  
D558,066 S \* 12/2007 Rodell ..... D10/32  
D670,575 S \* 11/2012 Giannini ..... D10/32  
D879,645 S 3/2020 Lin

**DESCRIPTION**

FIG. 1 is a perspective view of a watchband, showing my new design;  
FIG. 2 is a front view thereof;  
FIG. 3 is a rear view thereof;  
FIG. 4 is a left side view thereof;  
FIG. 5 is a right side view thereof;  
FIG. 6 is an enlarged top pian view thereof; and,  
FIG. 7 is an enlarged bottom plan view thereof.

**1 Claim, 7 Drawing Sheets**



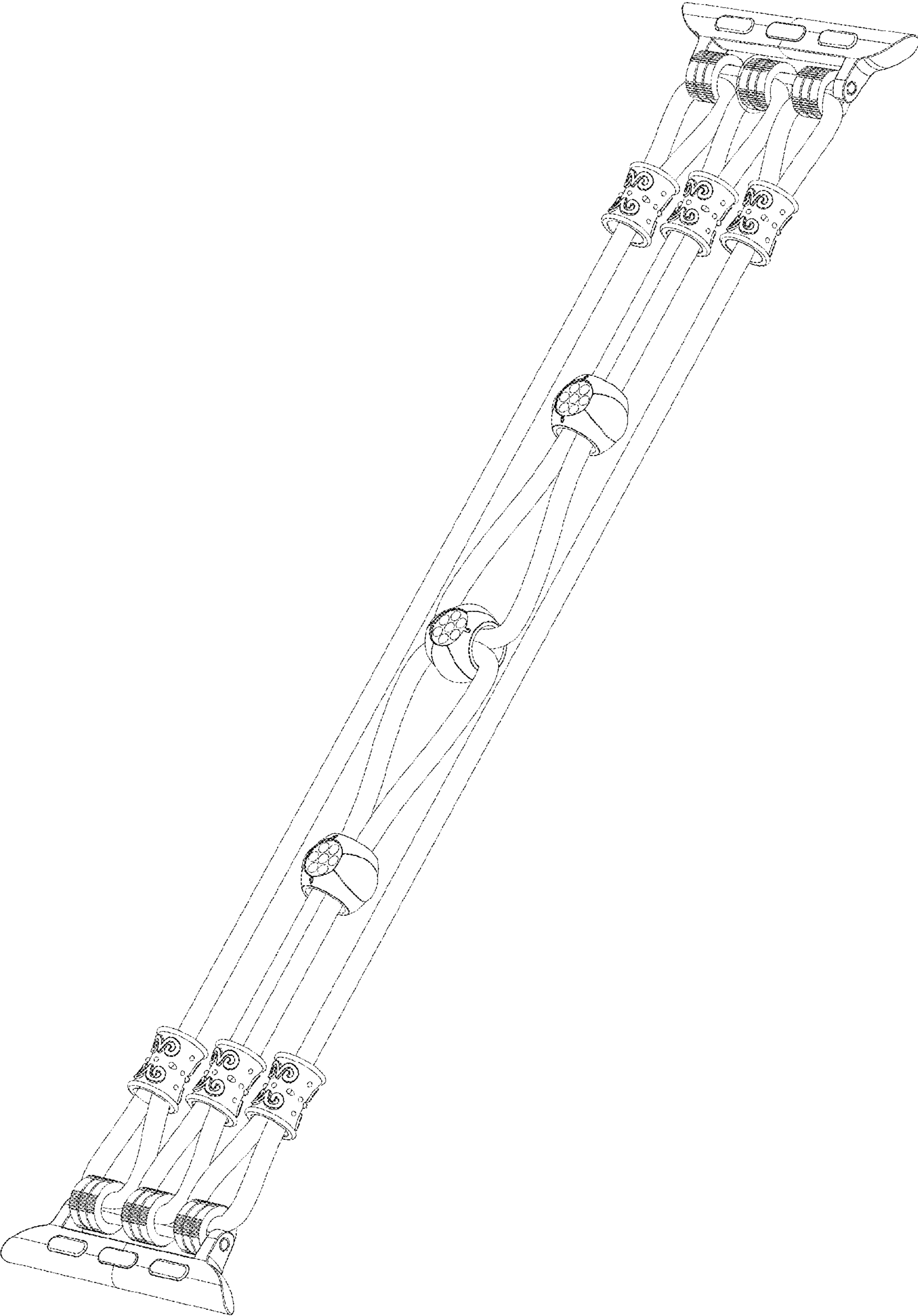


FIG. 1

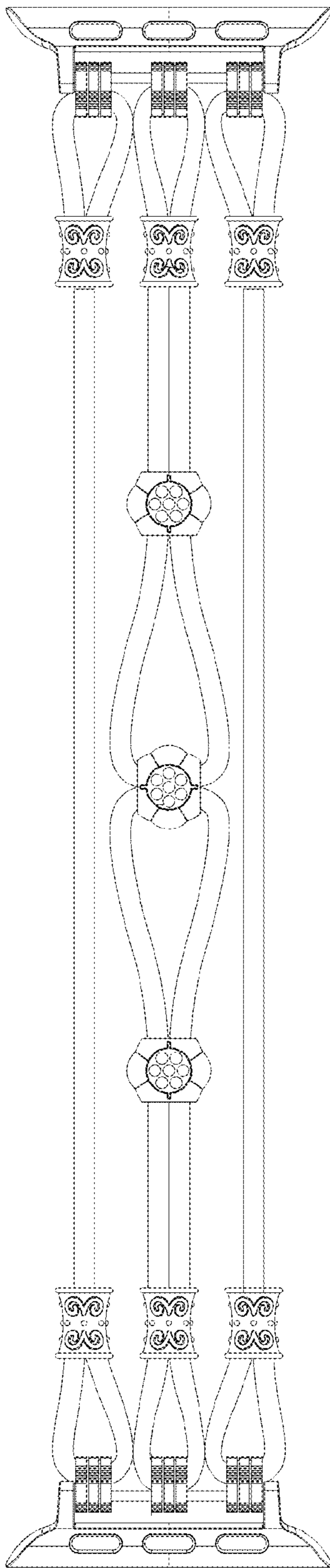


FIG. 2

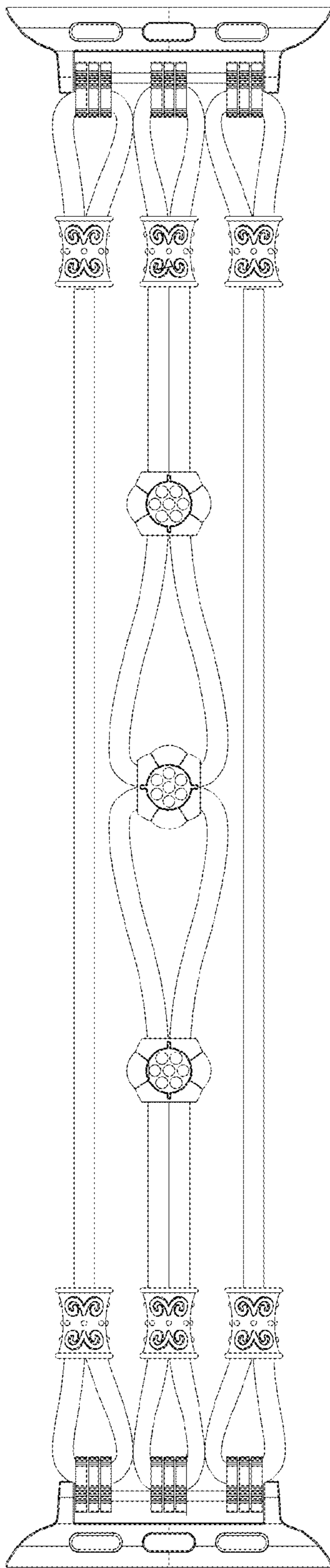


FIG. 3

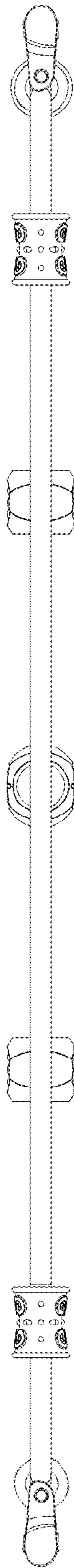


FIG. 4

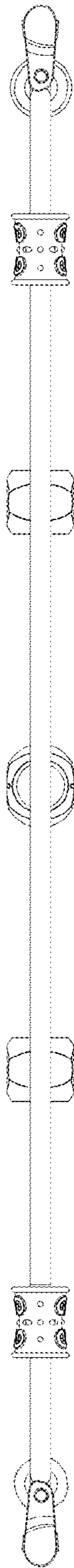


FIG. 5

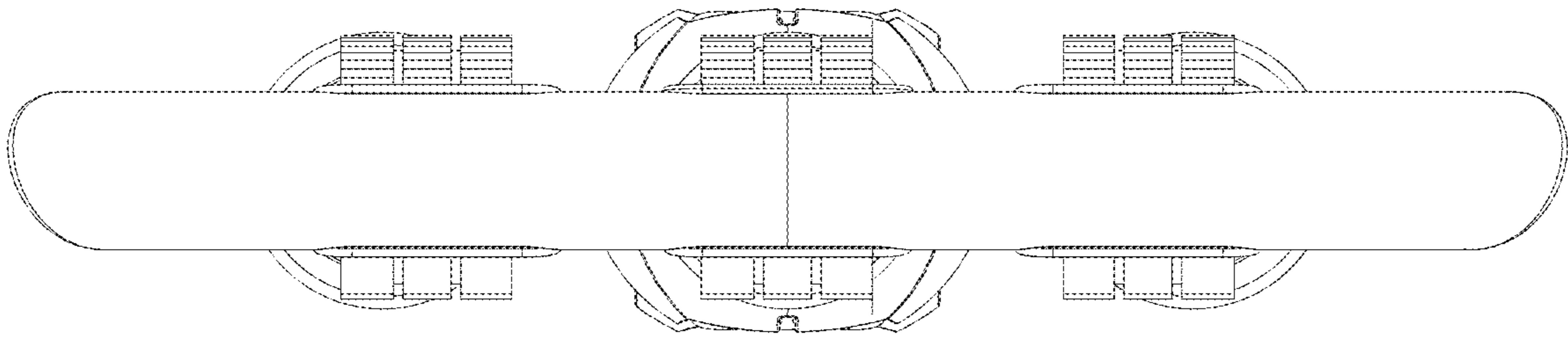


FIG. 6

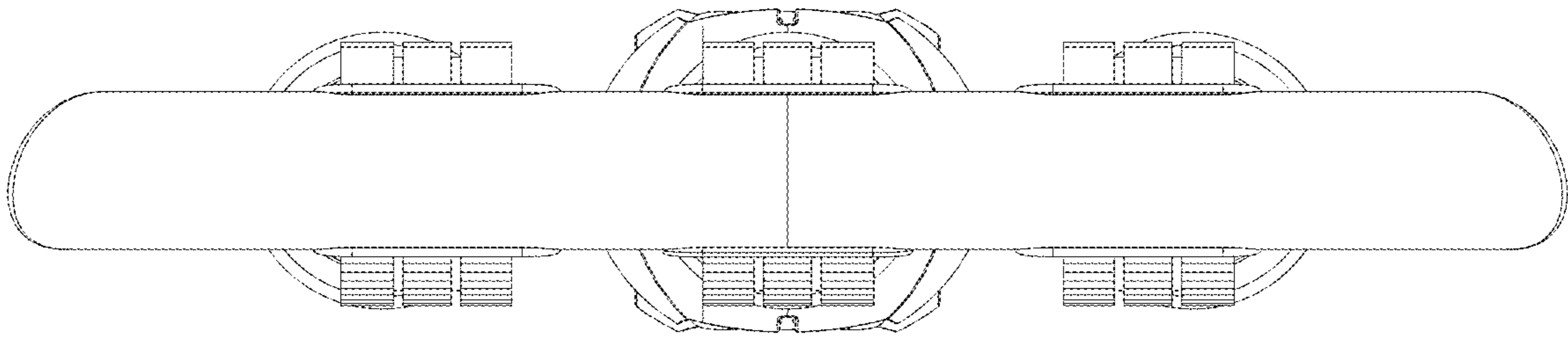


FIG. 7