



US00D972957S

(12) **United States Design Patent** (10) **Patent No.:** **US D972,957 S**  
**Armstrong et al.** (45) **Date of Patent:** **\*\* Dec. 20, 2022**

- (54) **WATCH CASE**
- (71) Applicant: **Urban Armor Gear, LLC**, Laguna Niguel, CA (US)
- (72) Inventors: **Steven Armstrong**, San Juan Capistrano, CA (US); **Jason Veltz**, San Diego, CA (US)
- (73) Assignee: **Urban Armor Gear, LLC**, Laguna Niguel, CA (US)
- (\*\*) Term: **15 Years**
- (21) Appl. No.: **29/813,833**
- (22) Filed: **Nov. 1, 2021**

D913,291 S *	3/2021	Zhang	.....	D14/440
D920,147 S *	5/2021	Liu	.....	D14/440
D932,321 S *	10/2021	Jung	.....	D14/440
D942,458 S *	2/2022	Tur	.....	D14/440
D949,038 S *	4/2022	Hu	.....	D10/132

\* cited by examiner

*Primary Examiner* — Katherine Glennon  
(74) *Attorney, Agent, or Firm* — K&L Gates LLP; Brian J. Novak; Giorgios N. Kefallinos

**Related U.S. Application Data**

- (63) Continuation of application No. 29/690,702, filed on May 9, 2019, now abandoned.
- (51) **LOC (13) Cl.** ..... **10-07**
- (52) **U.S. Cl.**  
USPC ..... **D10/132; D14/440**
- (58) **Field of Classification Search**  
USPC ..... D10/30-39, 132; D11/3; D14/344, 440  
CPC ..... A44C 5/00; A44C 5/0053; A44C 5/02;  
A44C 5/022; A44C 5/025; A44C 5/10;  
A44C 5/14; A44C 5/147; A44C 5/2071;  
G06F 1/163; G04G 17/00; G04G 21/02;  
G04G 21/08  
See application file for complete search history.

**References Cited**

**U.S. PATENT DOCUMENTS**

D888,032 S *	6/2020	Armstrong	.....	D14/250
D903,508 S *	12/2020	Zhang	.....	D10/30

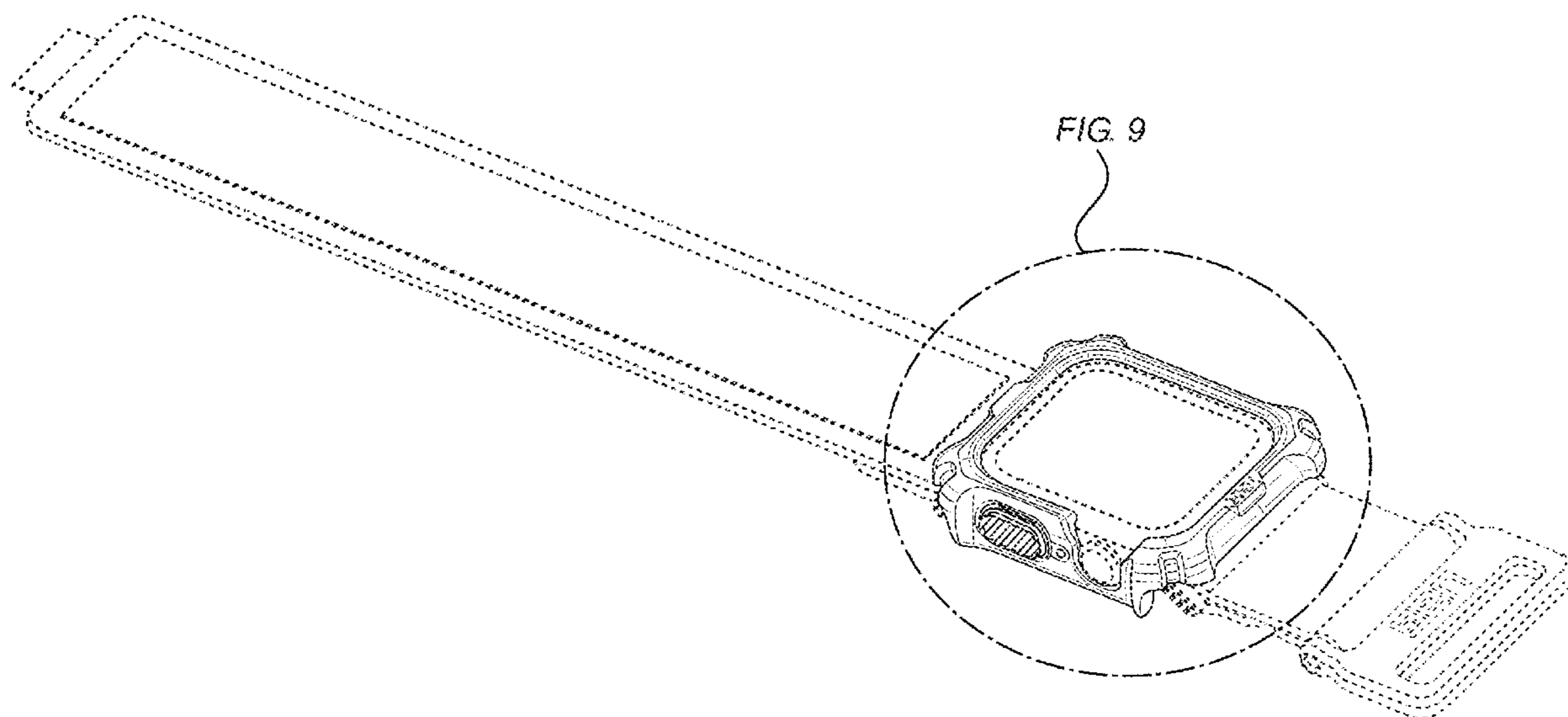
(57) **CLAIM**

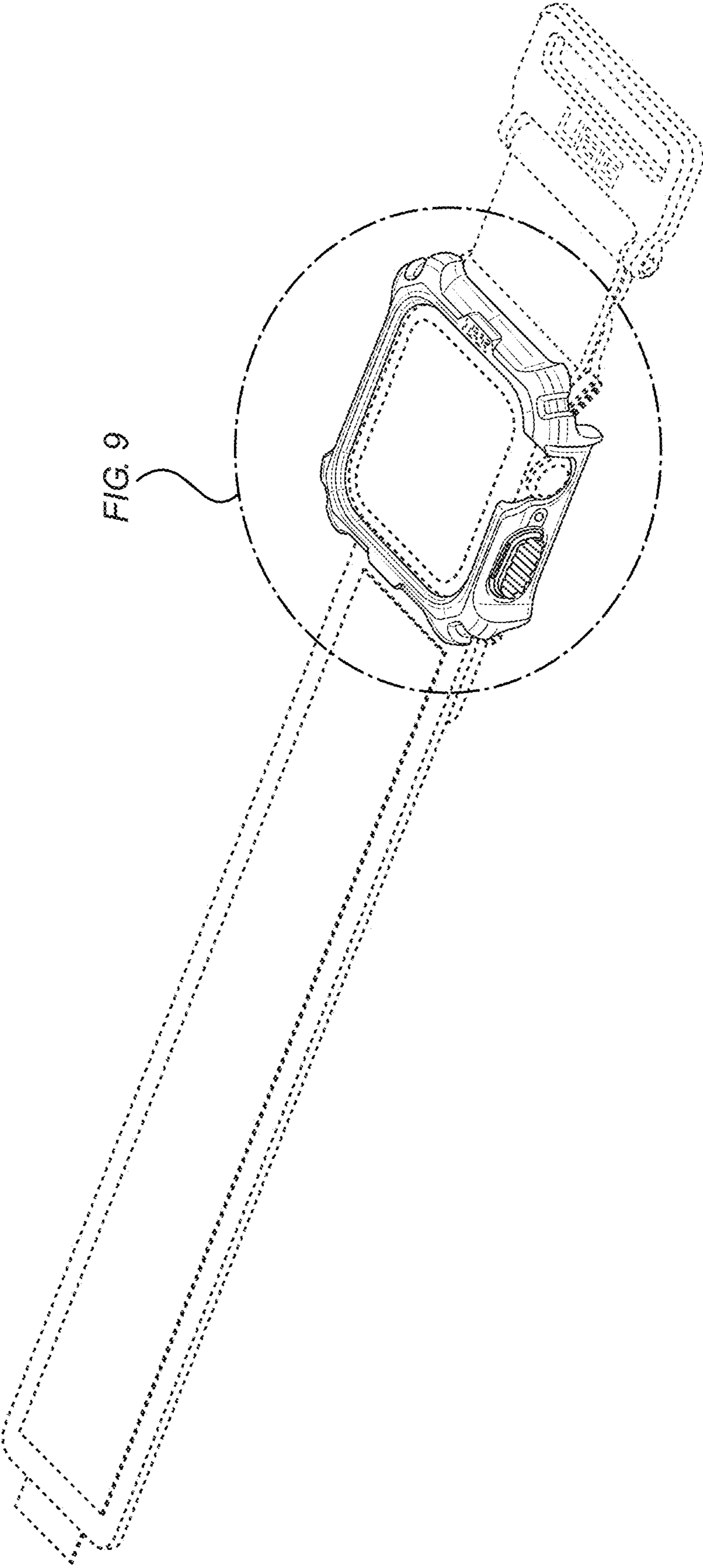
The ornamental design for a watch case, as shown and described.

**DESCRIPTION**

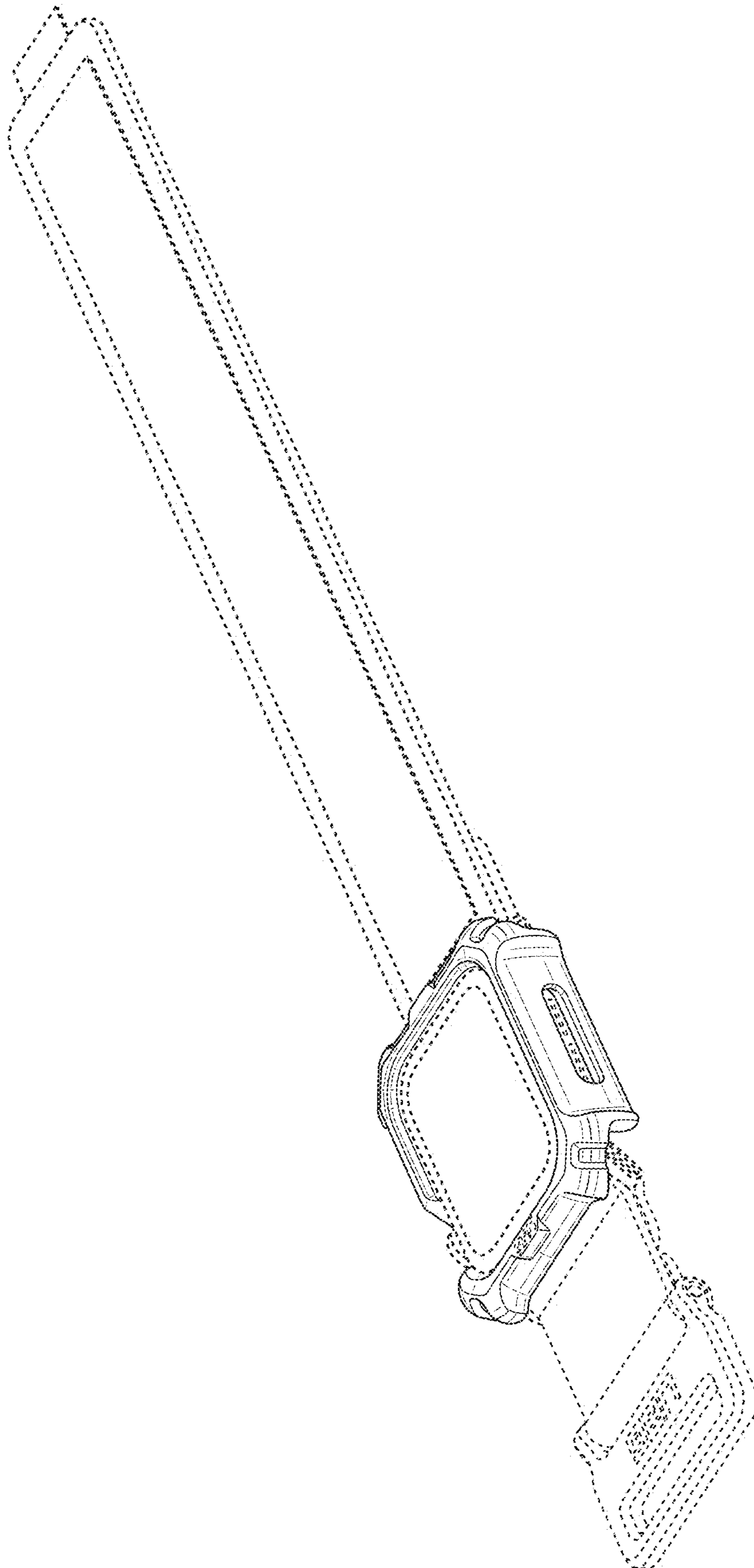
FIG. 1 is a front perspective view of a watch case of the present invention.  
 FIG. 2 is another front perspective view of the case of FIG. 1.  
 FIG. 3 is a right side elevation view of the case of FIG. 1.  
 FIG. 4 is a left side elevation view of the case of FIG. 1.  
 FIG. 5 is a front elevation view of the case of FIG. 1.  
 FIG. 6 is a rear elevation view of the case of FIG. 1.  
 FIG. 7 is a top plan view of the case of FIG. 1.  
 FIG. 8 is a bottom plan view of the case of FIG. 1; and,  
 FIG. 9 is a scaled view of the case of FIG. 1.  
 Shading forms no part of the claim. Portions of the watch case shown in broken lines form no part of the claimed design. The broken lines showing a watch and band are for environmental purposes only and form no part of the claimed design.

**1 Claim, 9 Drawing Sheets**

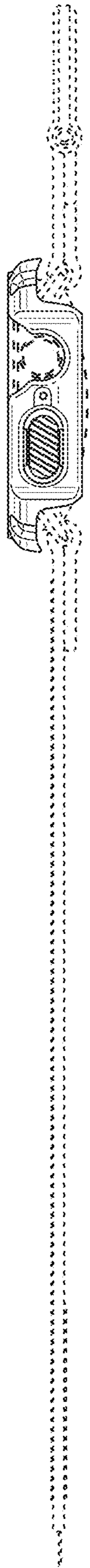




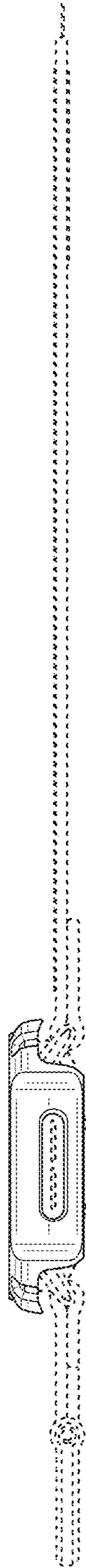
**FIG. 1**



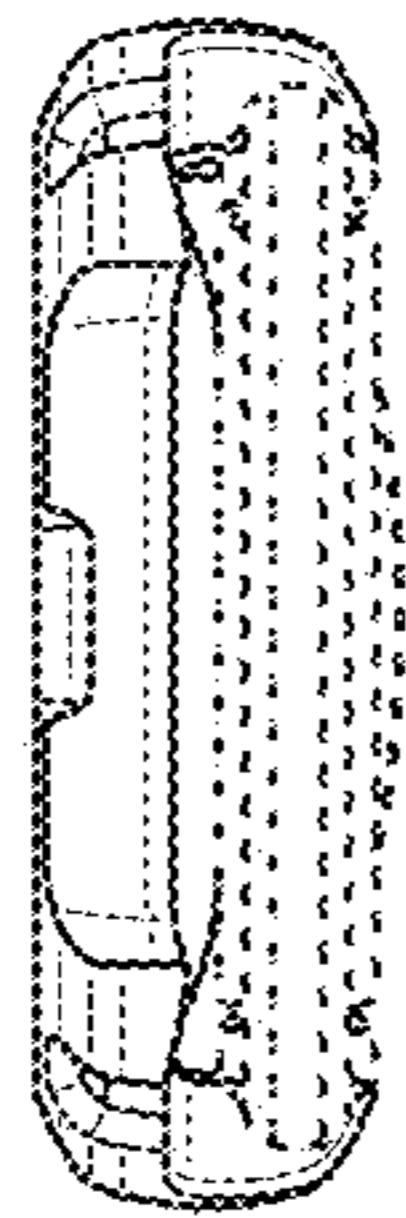
**FIG. 2**



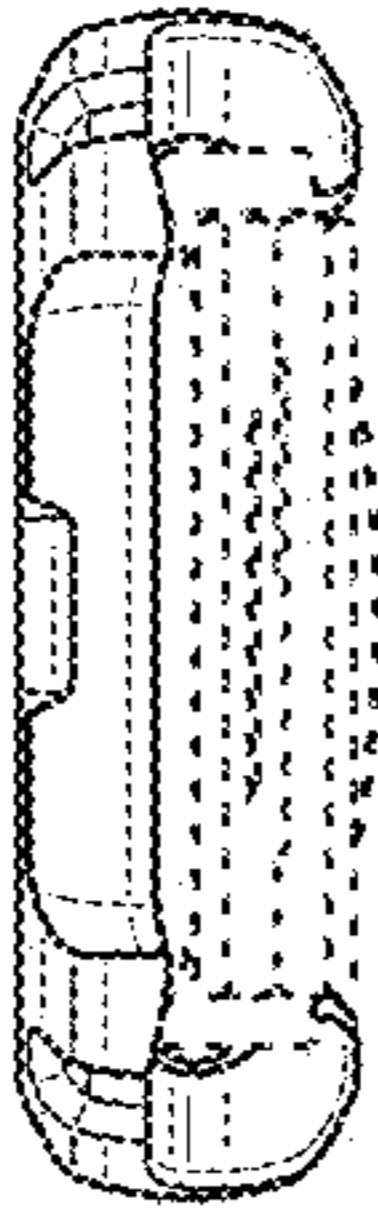
**FIG. 3**



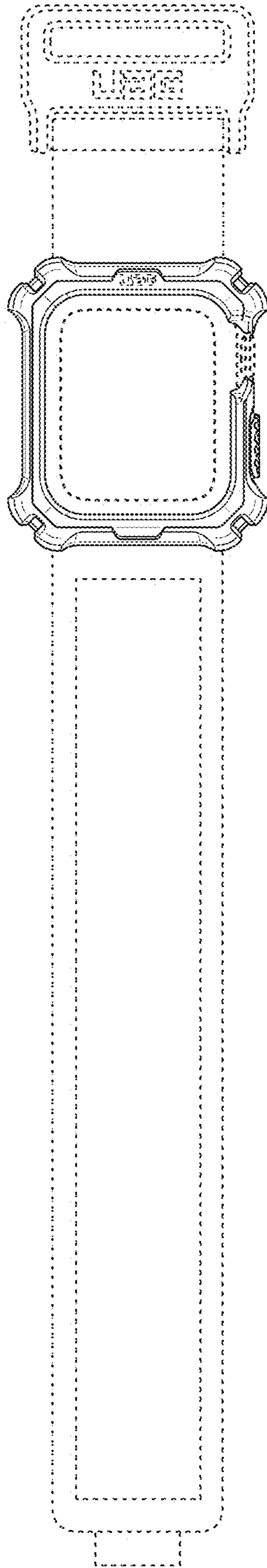
**FIG. 4**



**FIG. 5**

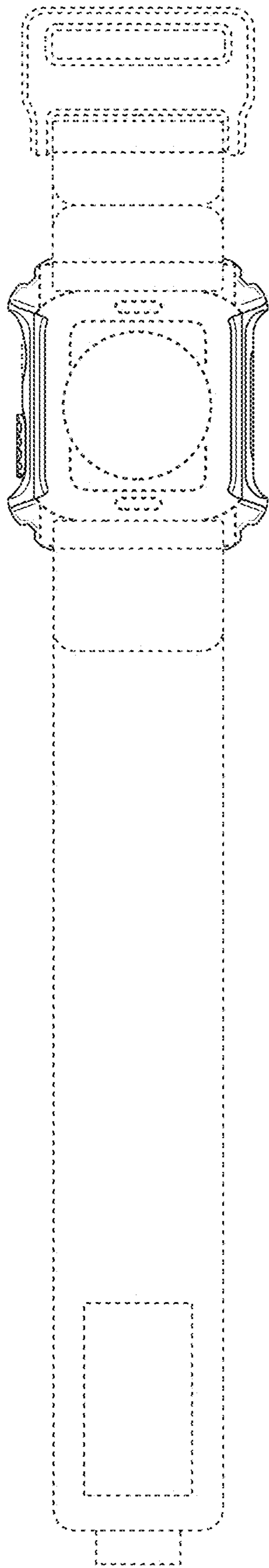


**FIG. 6**

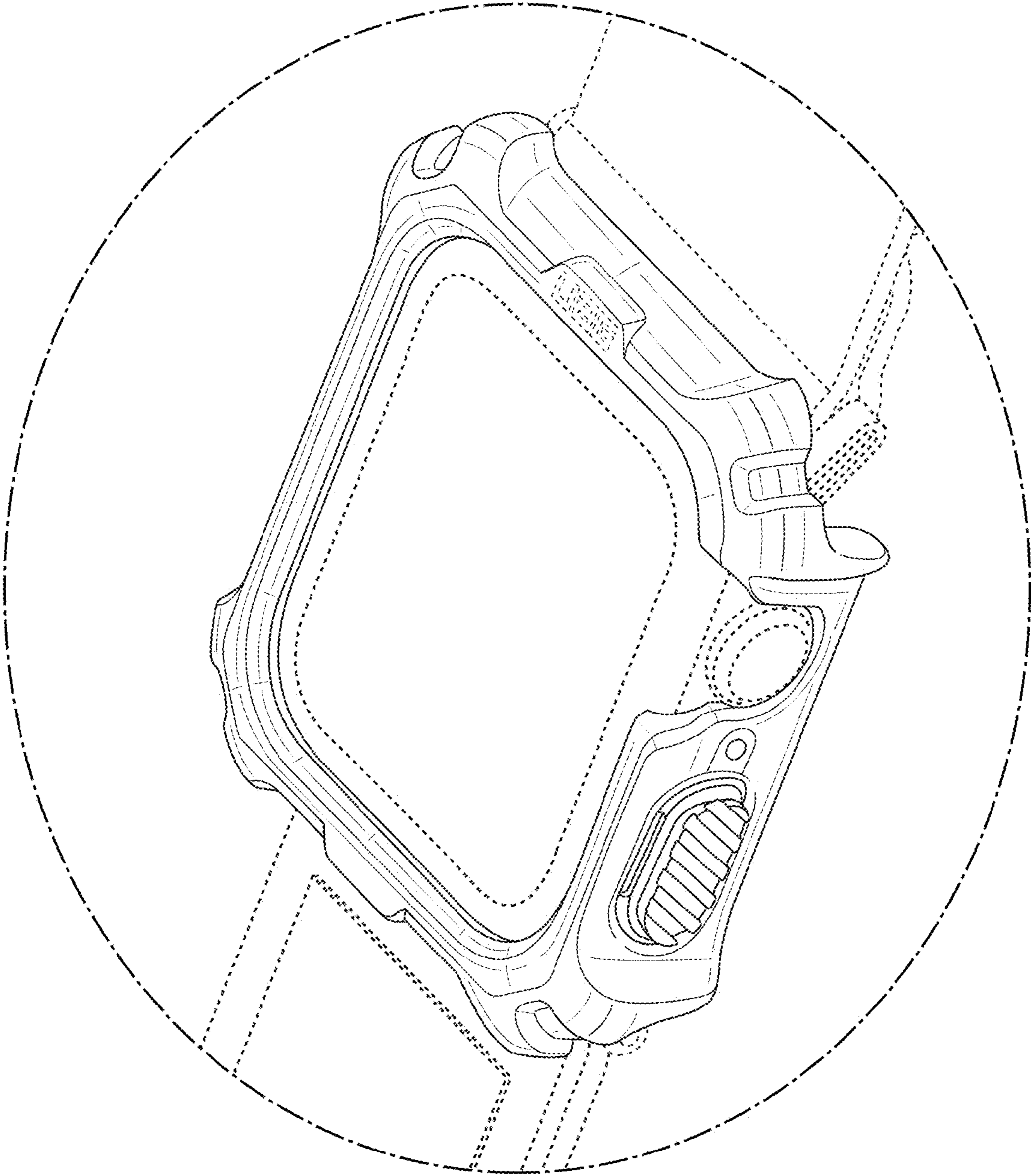


**FIG. 7**





**FIG. 8**



**FIG. 9**