



US00D972952S

(12) **United States Design Patent**
Yang

(10) **Patent No.:** **US D972,952 S**

(45) **Date of Patent:** **** Dec. 20, 2022**

(54) **MULTI-WAY PIR MOTION SENSOR ALARM TRANSMITTER**

(71) Applicant: **SHENZHEN QIAOHUA INDUSTRIES LIMITED**, Shenzhen (CN)

(72) Inventor: **Ruishi Yang**, Shenzhen (CN)

(**) Term: **15 Years**

(21) Appl. No.: **29/699,890**

(22) Filed: **Jul. 30, 2019**

(51) **LOC (13) Cl.** **10-05**

(52) **U.S. Cl.**
USPC **D10/106.6**

(58) **Field of Classification Search**
USPC D10/46, 85, 104.1, 106.1, 106.2–106.3, D10/106.6–106.8, 109.2, 118, 118.2, 120; D14/227; D16/131, 202, 203
CPC G08B 13/19
See application file for complete search history.

(56) **References Cited**

U.S. PATENT DOCUMENTS

D296,995 S *	8/1988	Lee	D10/46
D454,902 S *	3/2002	Hsu	D16/202
6,679,467 B1 *	1/2004	Softness	F16M 11/10 396/419
D511,705 S *	11/2005	Bandringa	D10/106.7
D548,125 S *	8/2007	Bandringa	D10/106.7
D590,863 S *	4/2009	Ke	D16/202
D643,024 S *	8/2011	Goodman	D14/227

D806,154 S *	12/2017	Shi	D16/202
D854,069 S *	7/2019	Wang	D16/202
D873,886 S *	1/2020	Rusz	D16/203
D890,729 S *	7/2020	Chen	D14/227
D896,863 S *	9/2020	Tu	D16/203
D898,801 S *	10/2020	Wu	D16/203
D901,571 S *	11/2020	Liu	D16/203
D902,976 S *	11/2020	Han	D16/202
D937,338 S *	11/2021	Luo	D16/131

* cited by examiner

Primary Examiner — George D. Kirschbaum

Assistant Examiner — Lillian Windham

(74) *Attorney, Agent, or Firm* — Runit R. Kanakia

(57) **CLAIM**

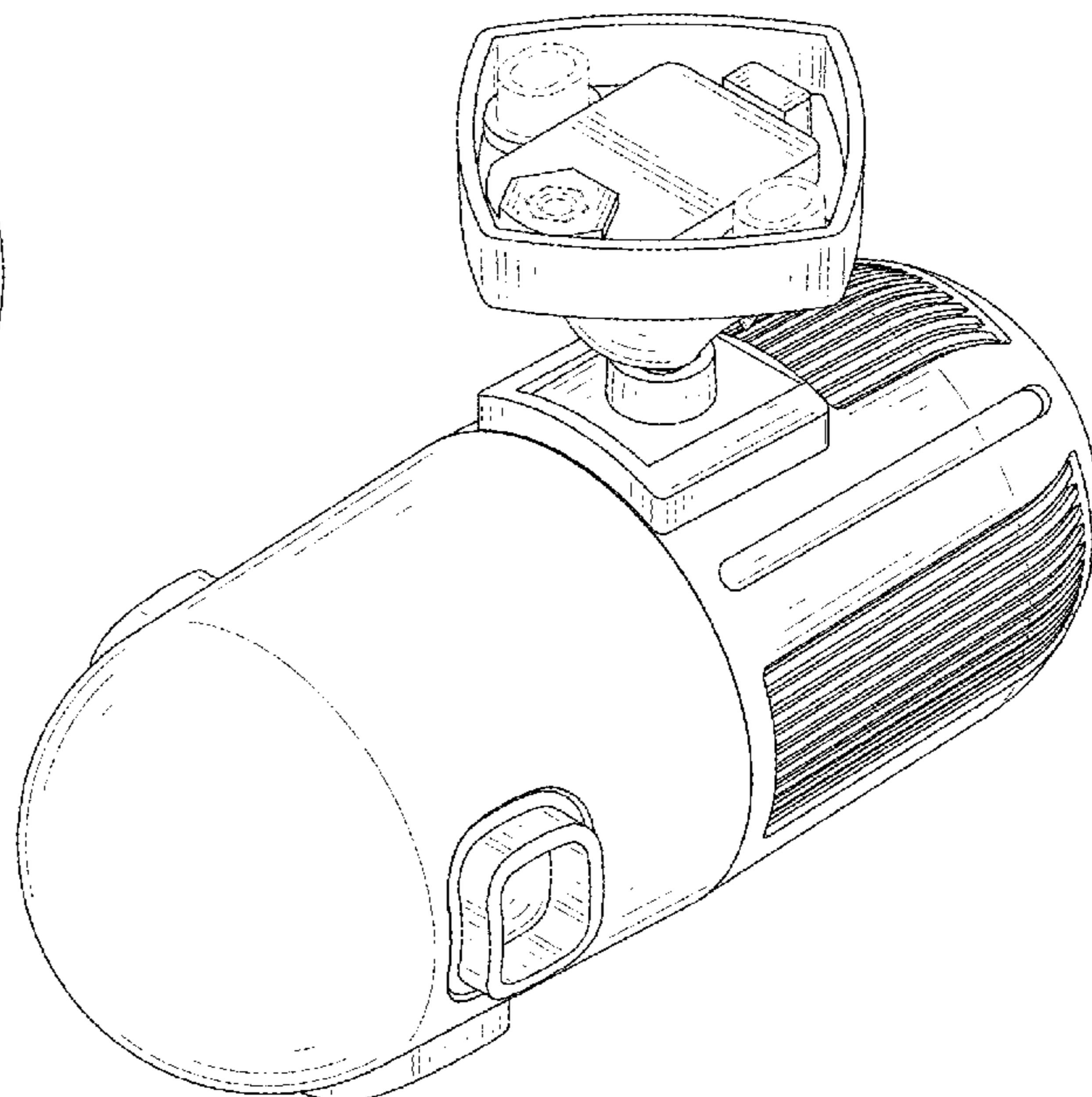
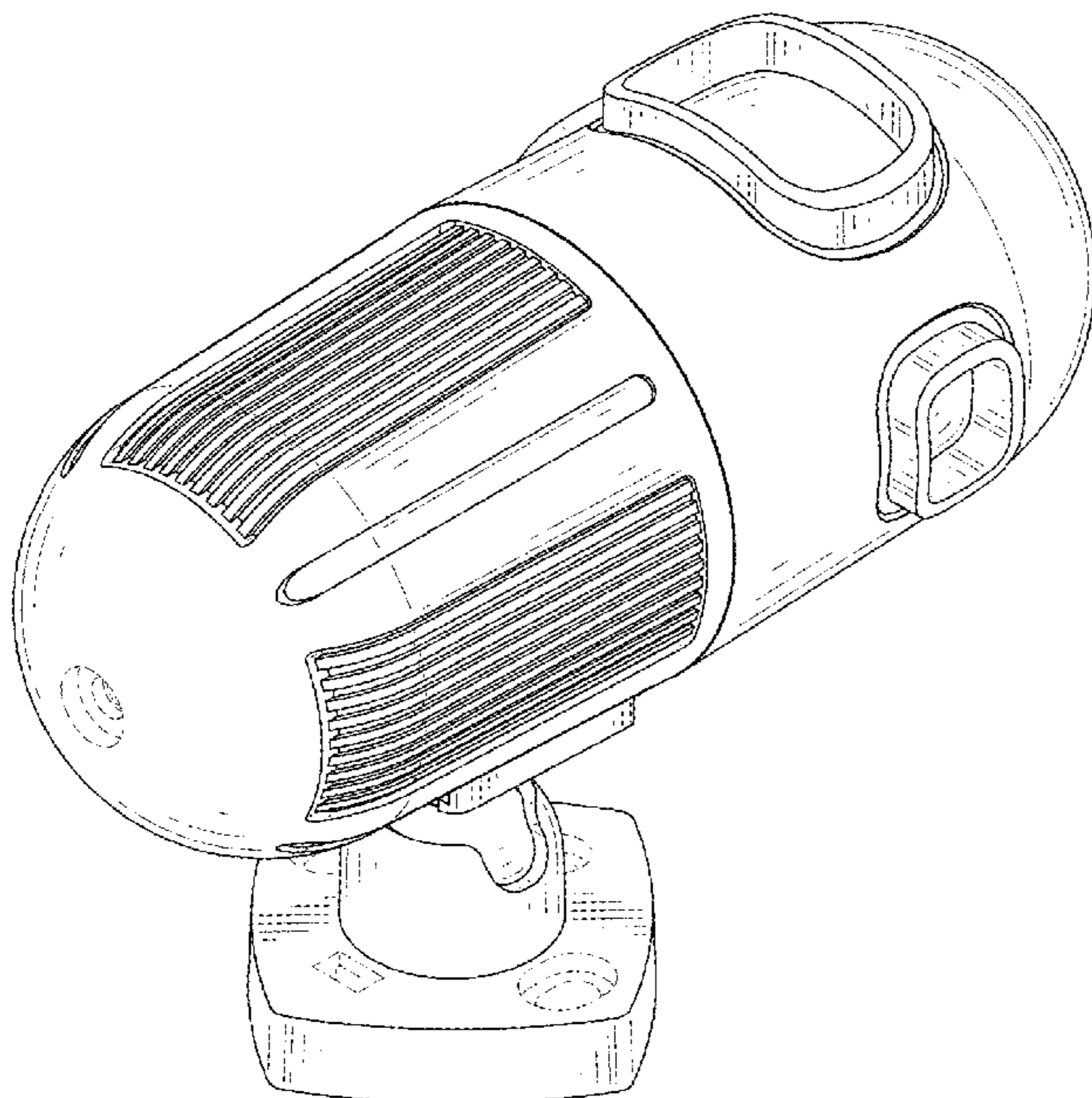
The ornamental design for a multi-way PIR motion sensor alarm transmitter, as shown and described.

DESCRIPTION

FIG. 1 is a first perspective view of a multi-way PIR motion sensor alarm transmitter showing my design; FIG. 2 is a second perspective view thereof; FIG. 3 is a front view thereof; FIG. 4 is a back view thereof; FIG. 5 is a left side view thereof; FIG. 6 is a right side view thereof; FIG. 7 is a top view thereof; and, FIG. 8 is a bottom view thereof.

The broken lines shown in the drawings depict portions of the multi-way PIR motion sensor alarm transmitter in which the design is embodied that form no part of the claimed design.

1 Claim, 8 Drawing Sheets



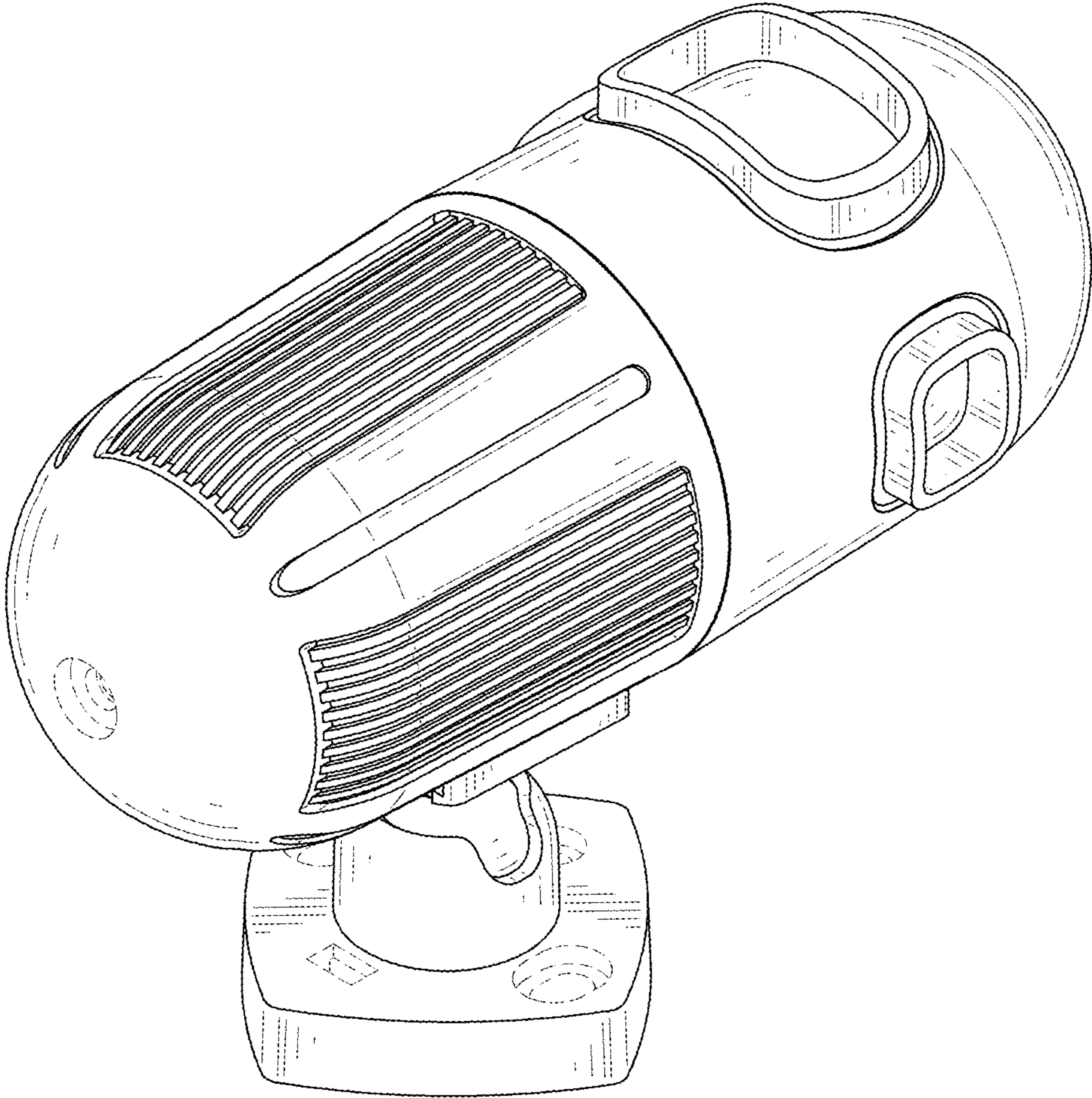


FIG. 1

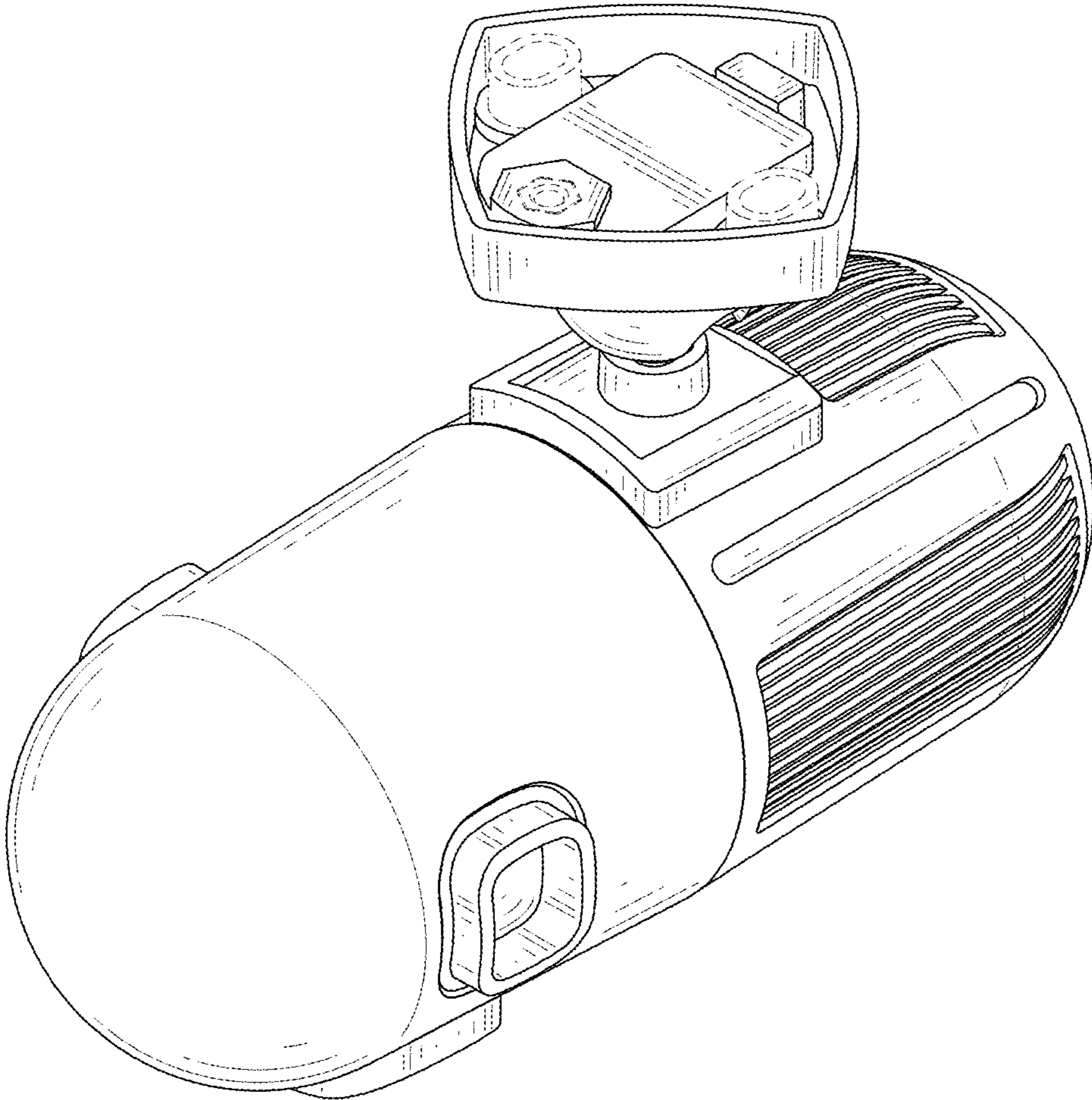


FIG. 2

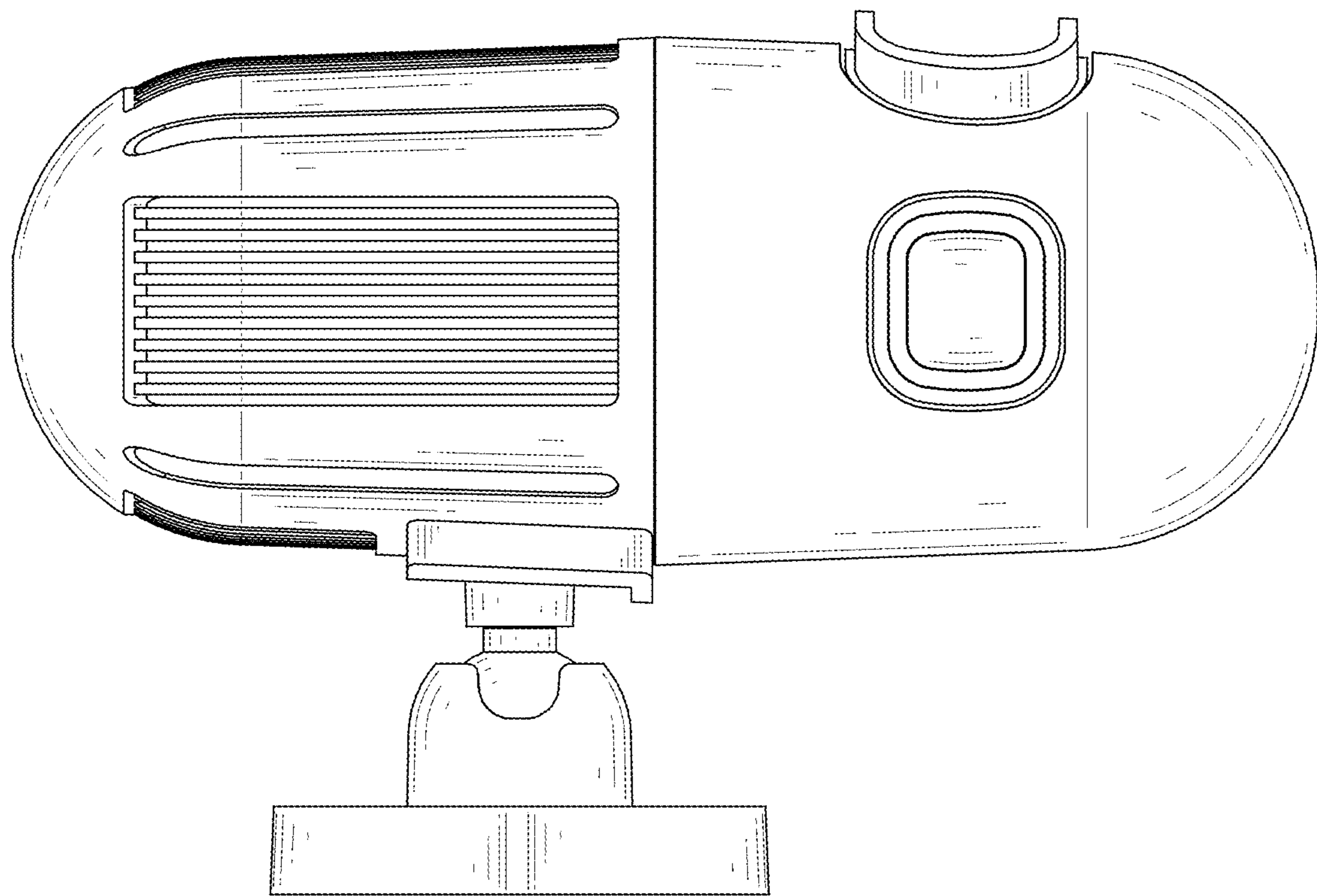


FIG. 3

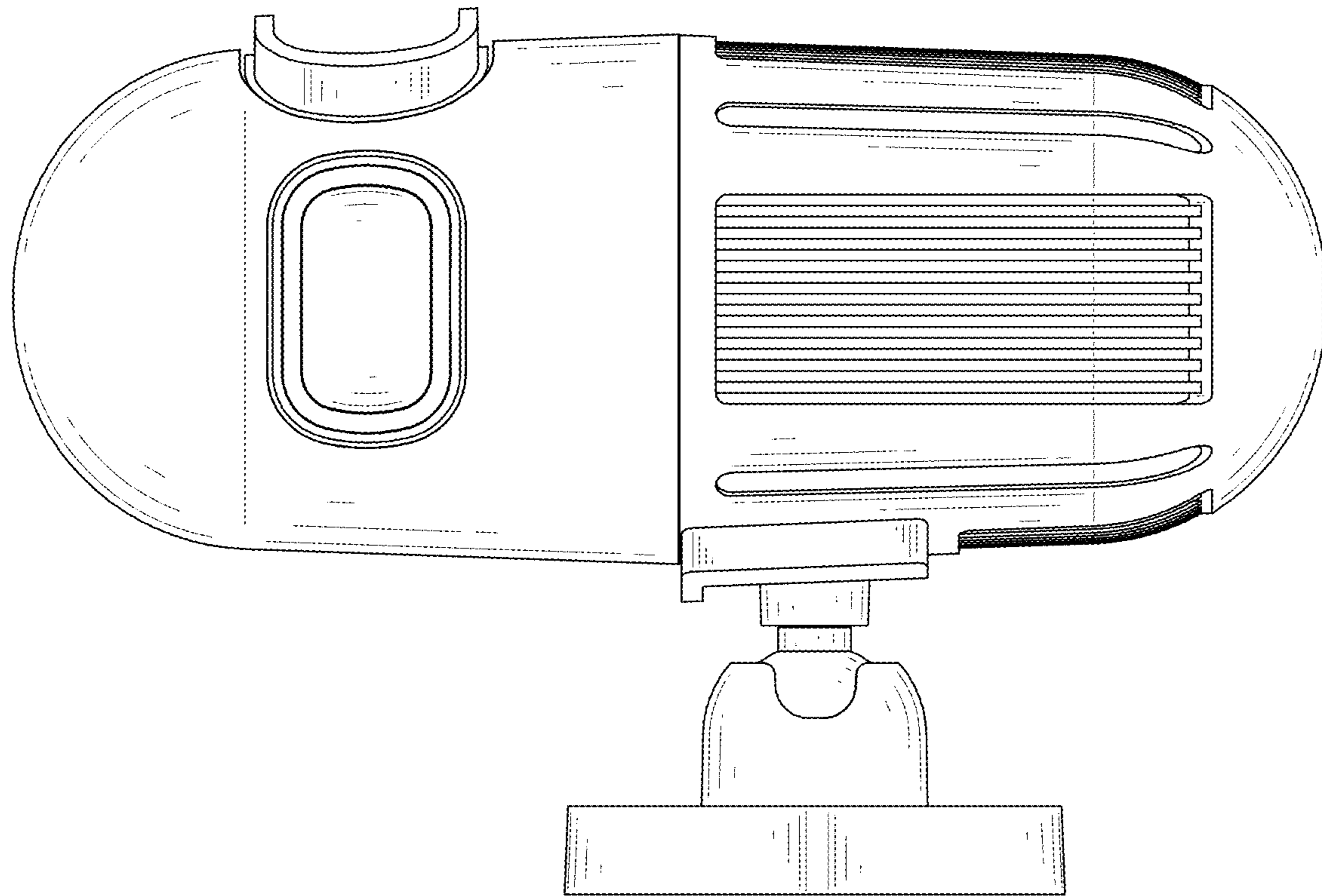


FIG. 4

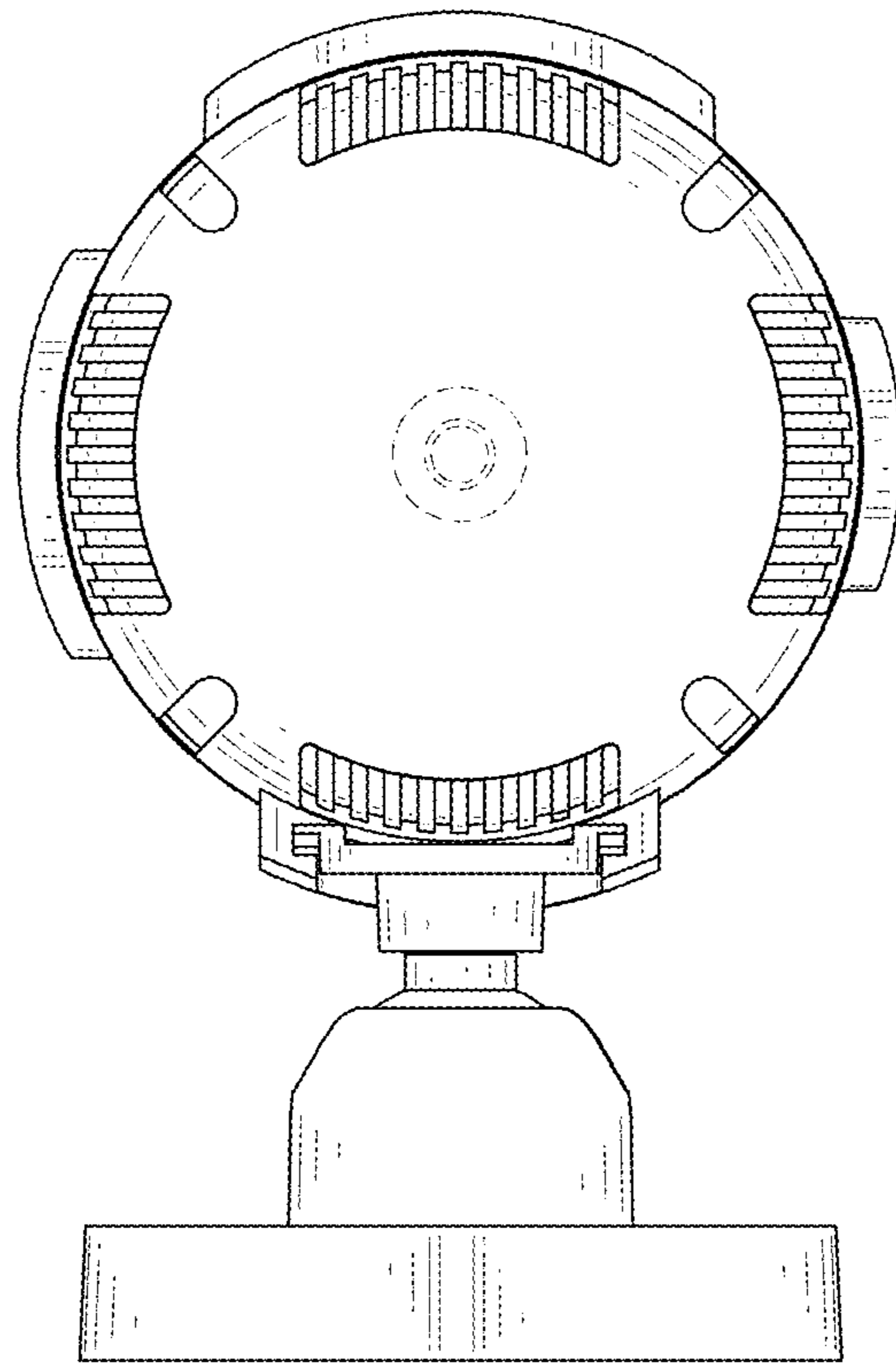


FIG. 5

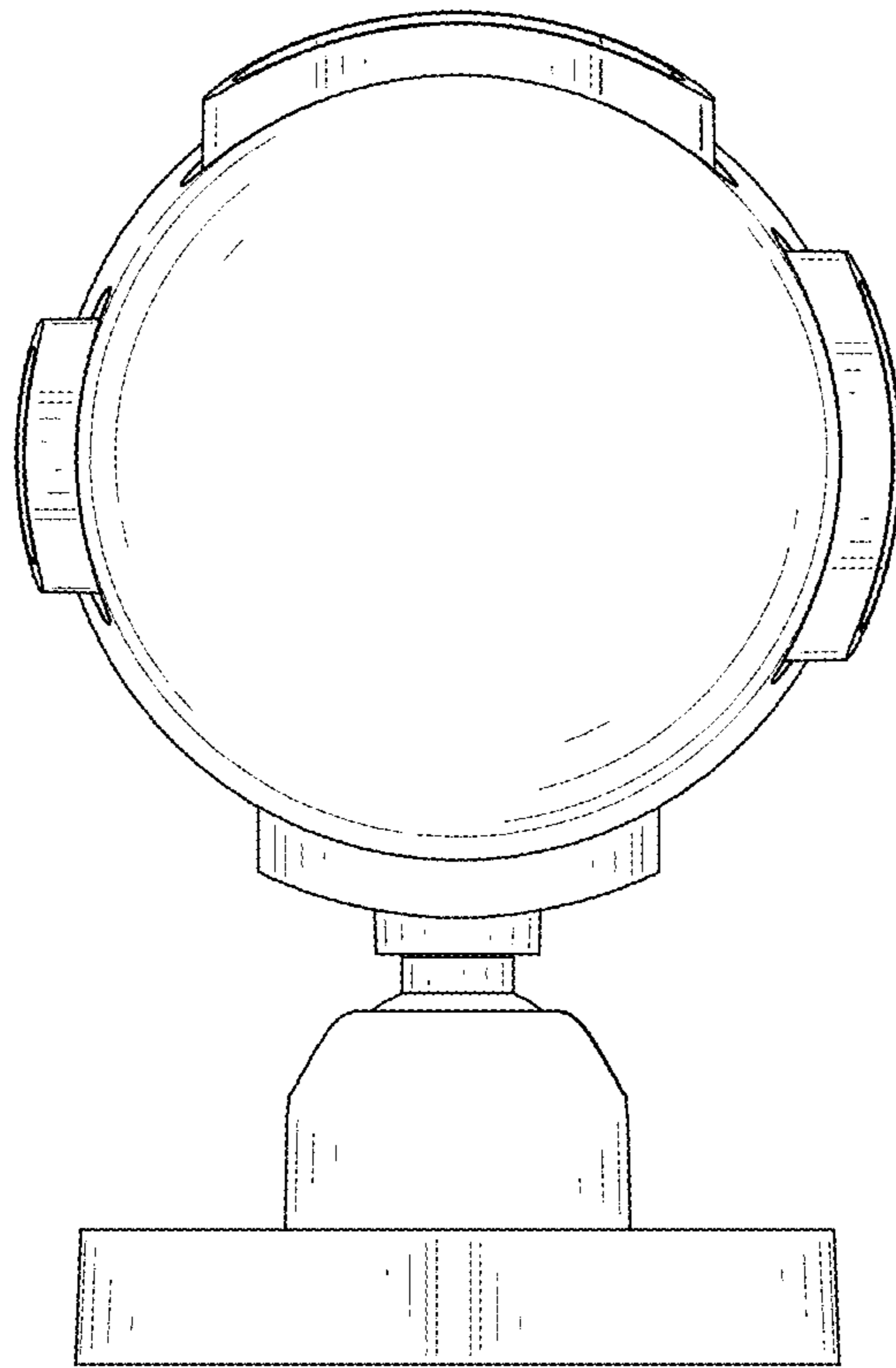


FIG. 6

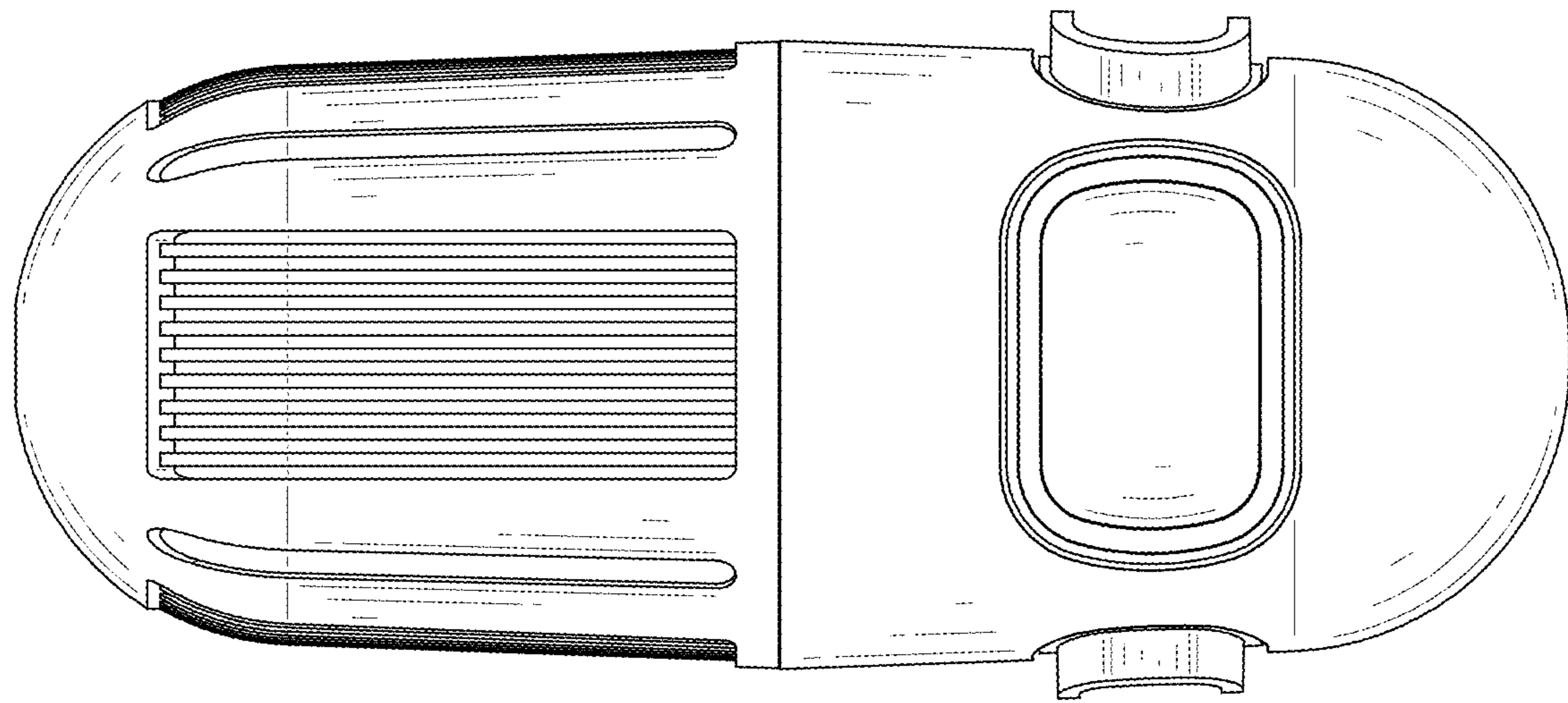


FIG. 7

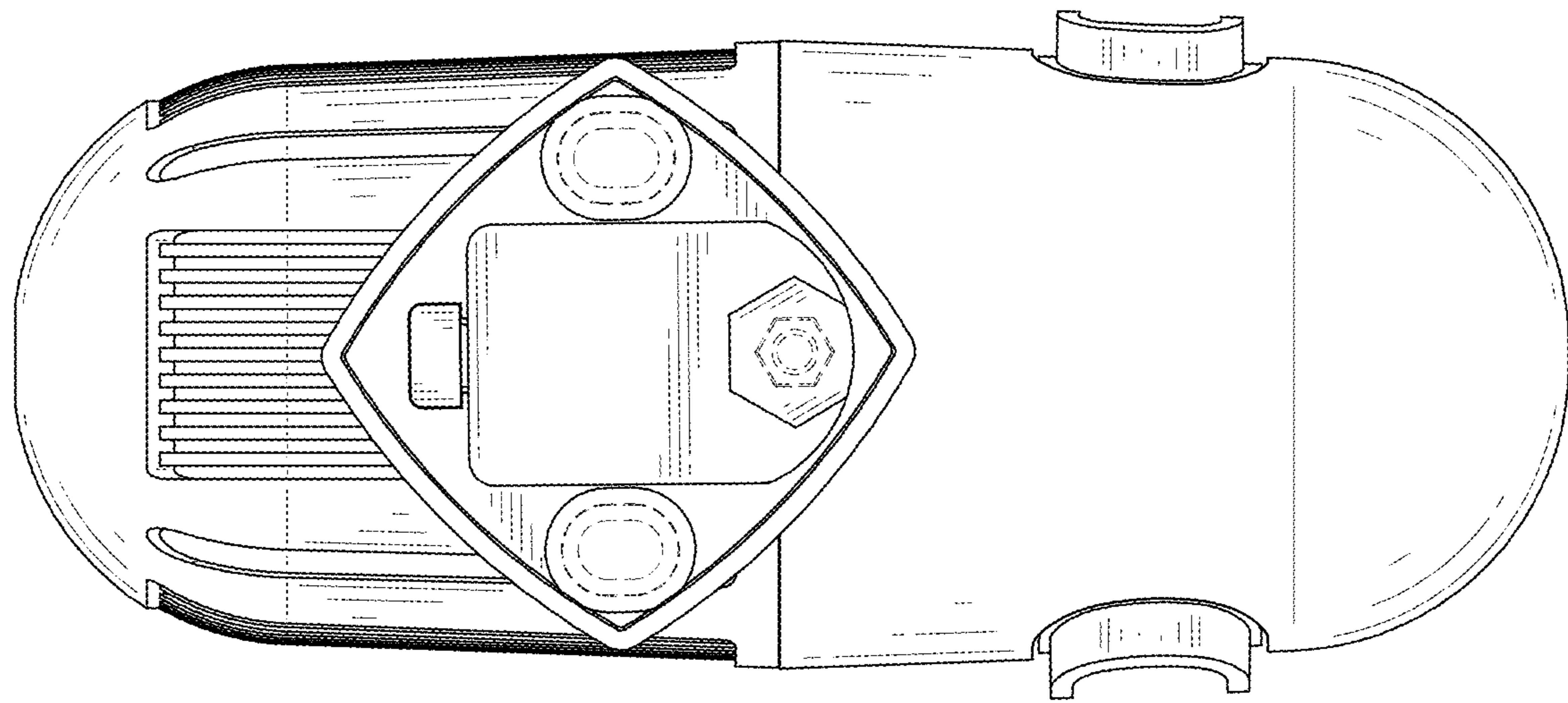


FIG. 8