



US00D972951S

(12) **United States Design Patent**  
**Cran et al.**

(10) **Patent No.:** **US D972,951 S**

(45) **Date of Patent:** **\*\* Dec. 20, 2022**

- (54) **BLUETOOTH TRACKER TAG**
- (71) Applicant: **MAKE GREAT SALES LIMITED,**  
Wan Chai (HK)
- (72) Inventors: **Bruce Peter Cran,** Ho Chi Minh (VN);  
**Kin Choi Lee,** Wanchai (HK)
- (73) Assignee: **Make Great Sales Limited,** Hong  
Kong (HK)
- (\*\*) Term: **15 Years**
- (21) Appl. No.: **29/767,427**
- (22) Filed: **Jan. 22, 2021**
- (51) **LOC (13) Cl.** ..... **10-05**
- (52) **U.S. Cl.**  
USPC ..... **D10/104.1**
- (58) **Field of Classification Search**  
USPC ..... D10/60, 65, 70, 78, 104.1–104.2, 106.1,  
D10/106.9, 121; D11/79; D3/207  
CPC ..... H04W 4/029; H04W 4/02; G01S 17/66;  
G01S 17/06; G08B 21/24  
See application file for complete search history.

- D729,512 S \* 5/2015 Latthe ..... D3/207
- D758,902 S \* 6/2016 Benoit ..... D10/70
- D760,097 S \* 6/2016 Benoit ..... D10/70
- 9,392,404 B2 \* 7/2016 Daoura ..... H04L 67/10
- D766,113 S \* 9/2016 Dohi ..... D10/78
- D780,436 S \* 3/2017 Fraser ..... D3/207
- D818,385 S \* 5/2018 Barovic ..... D10/70

(Continued)

**OTHER PUBLICATIONS**

Nerlos Bluetooth Tracker, available in hereforgear.co, announced Dec. 13, 2020 [online], [site visited Jan. 29, 2022], Internet URL: <<https://hereforgear.co/bluetooth-devices/bluetooth-tracker/nerlos-bluetooth-tracker/>>. (Year: 2020).\*

*Primary Examiner* — George D. Kirschbaum

*Assistant Examiner* — Lillian Windham

(74) *Attorney, Agent, or Firm* — Onello & Mello, LLP

(57) **CLAIM**

The ornamental design for a Bluetooth tracker tag, as shown and described.

**DESCRIPTION**

FIG. 1 is a perspective view of a Bluetooth tracker tag, in accordance with our design;

FIG. 2 is top view of the Bluetooth tracker tag of FIG. 1; FIG. 3 is a front view of the Bluetooth tracker tag of FIG. 1;

FIG. 4 is a rear view of the Bluetooth tracker tag of FIG. 1; FIG. 5 is a bottom view of the Bluetooth tracker tag of FIG. 1;

FIG. 6 is a left-side view of the Bluetooth tracker tag of FIG. 1; and,

FIG. 7 is a right-side view of the Bluetooth tracker tag of FIG. 1.

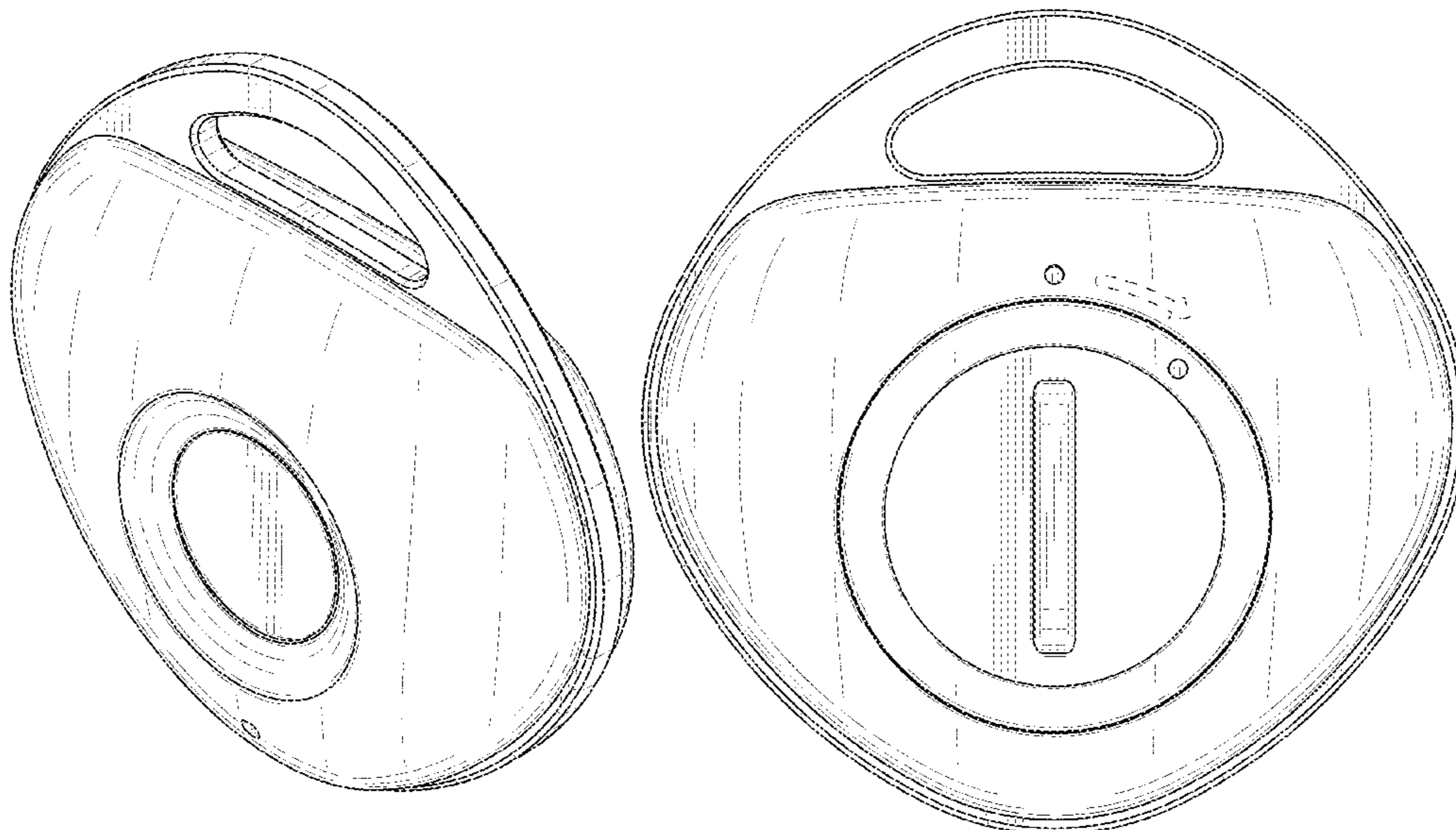
The dashed broken lines in the drawings define unclaimed subject matter that forms no part of the claimed design.

**1 Claim, 4 Drawing Sheets**

(56) **References Cited**

**U.S. PATENT DOCUMENTS**

- D533,799 S \* 12/2006 Thalhammer ..... D10/106.1
- D543,351 S \* 5/2007 Bates ..... D3/207
- D548,956 S \* 8/2007 Rimon ..... D3/207
- D575,816 S \* 8/2008 Law ..... D19/10
- D596,514 S \* 7/2009 Luzar ..... D10/70
- D597,431 S \* 8/2009 Aikawa ..... D10/104.1
- D598,797 S \* 8/2009 Aikawa ..... D10/104.1
- D618,121 S \* 6/2010 Penix ..... D10/106.9
- D647,810 S \* 11/2011 Bohrer ..... D10/106.9
- D683,251 S \* 5/2013 Dumas ..... D10/104.2
- D693,709 S \* 11/2013 Lee ..... D10/70
- D714,664 S \* 10/2014 Naughton ..... D10/70
- D714,665 S \* 10/2014 Naughton ..... D10/70
- D718,157 S \* 11/2014 Naughton ..... D10/70



(56)

**References Cited**

U.S. PATENT DOCUMENTS

D828,198 S \* 9/2018 Fisher ..... D10/106.9  
D879,627 S \* 3/2020 Behar ..... D10/70  
11,145,183 B2 \* 10/2021 Daoura ..... G08B 21/0291  
D936,504 S \* 11/2021 Dick ..... D10/70  
D938,838 S \* 12/2021 Dick ..... D10/70

\* cited by examiner

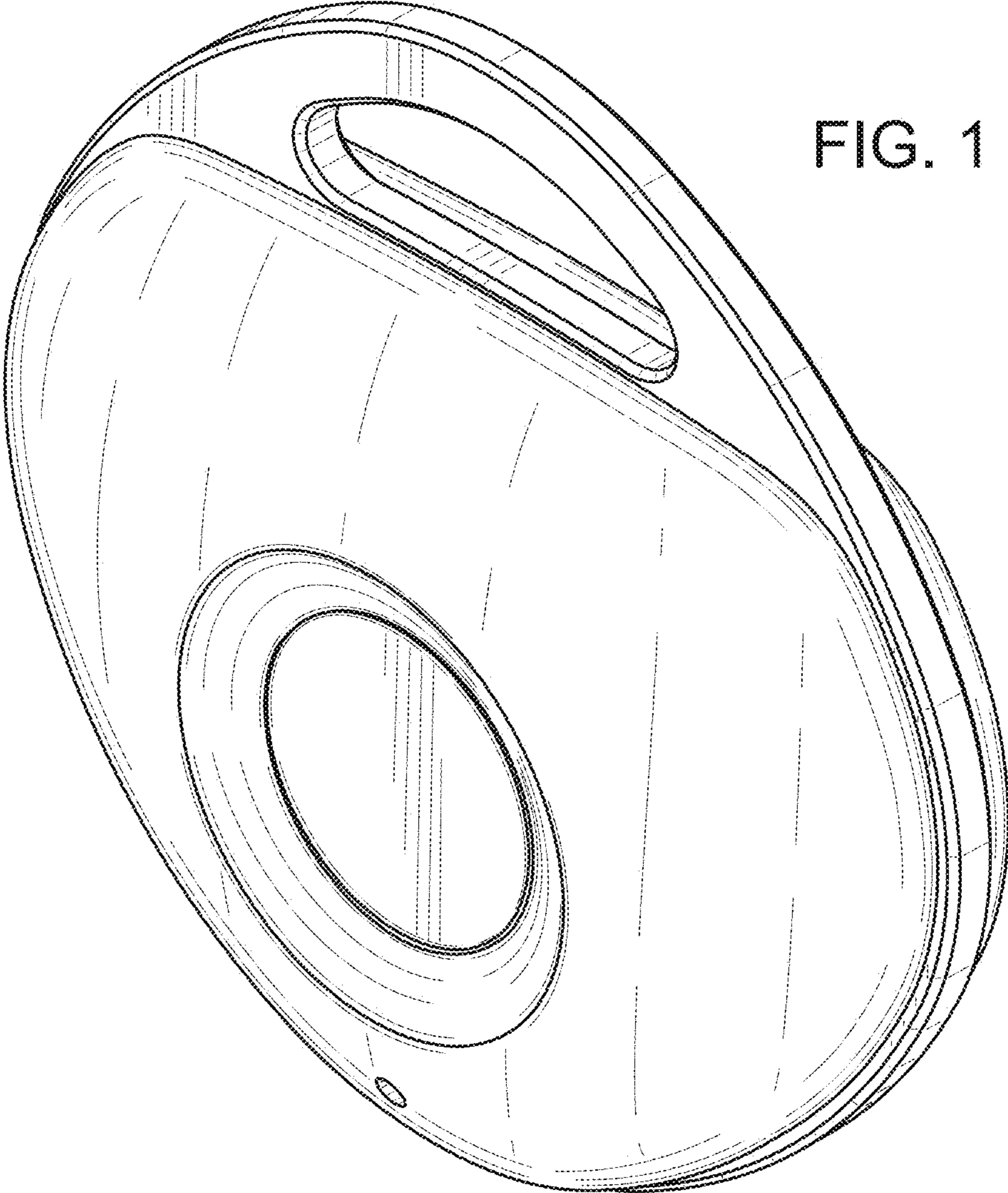


FIG. 1

FIG. 2

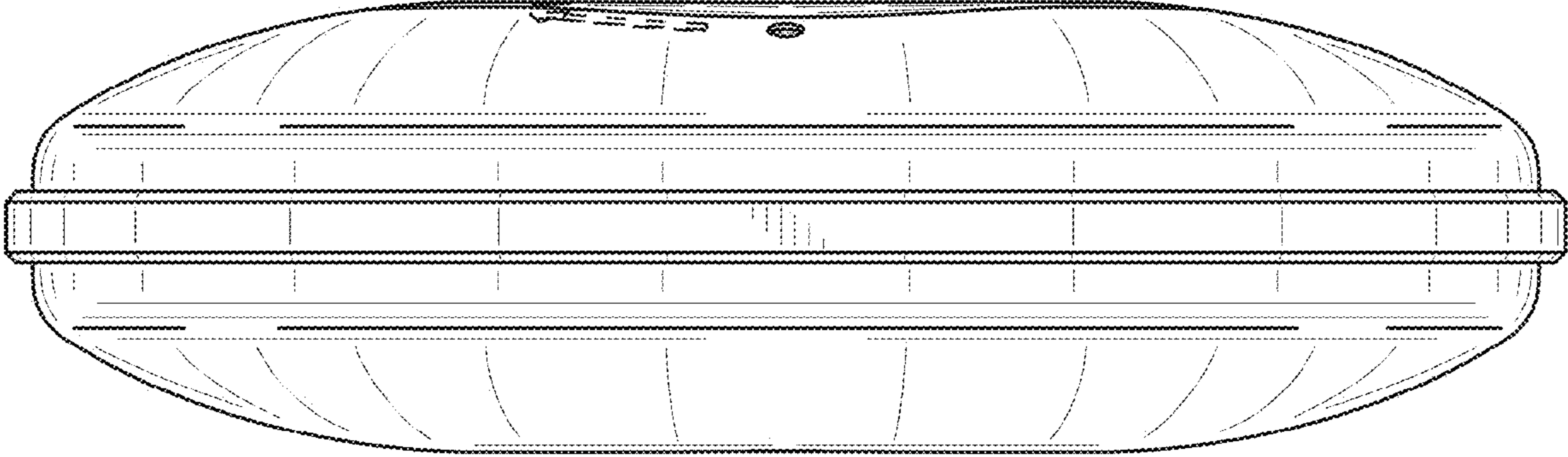


FIG. 3

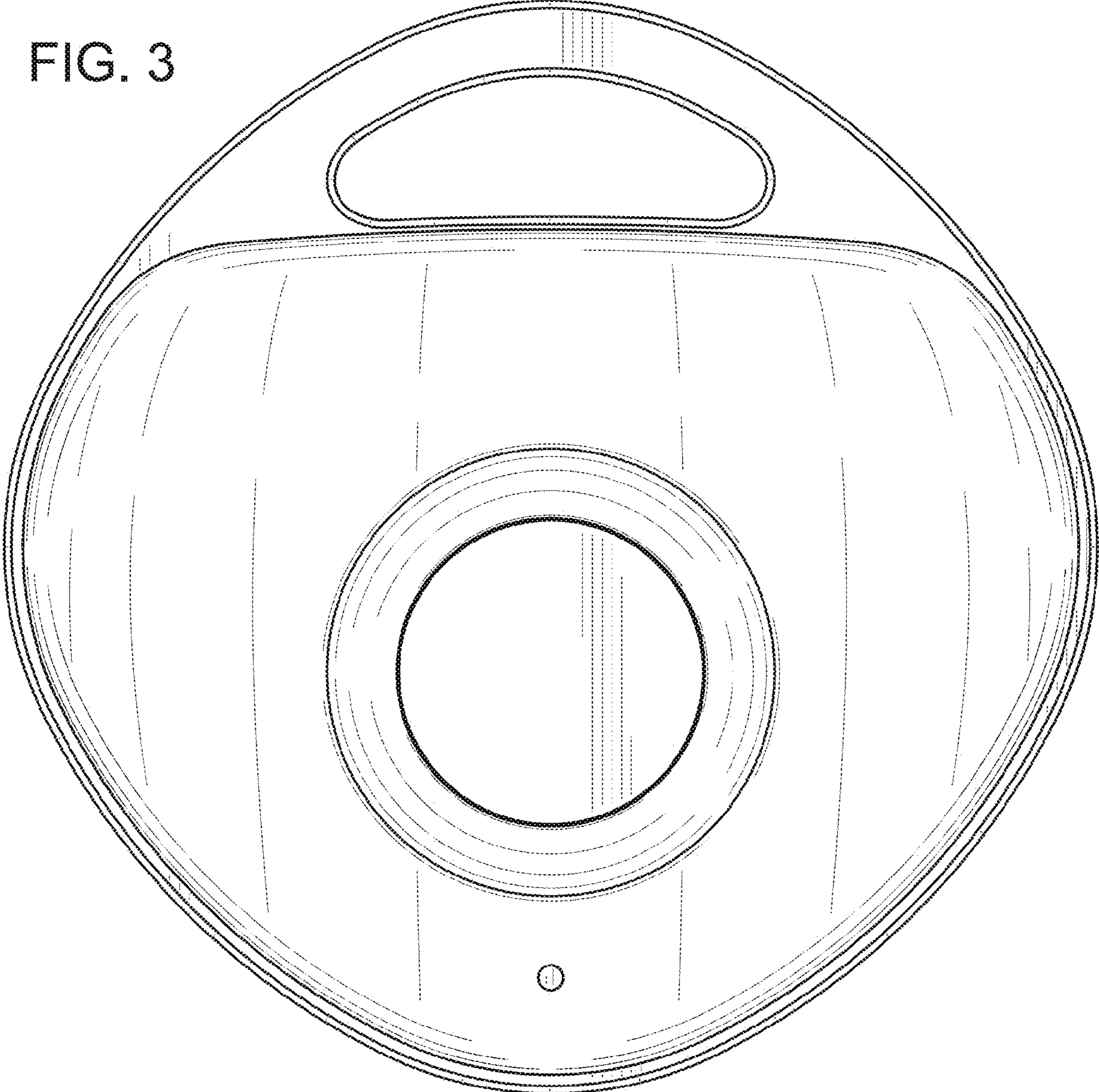


FIG. 4

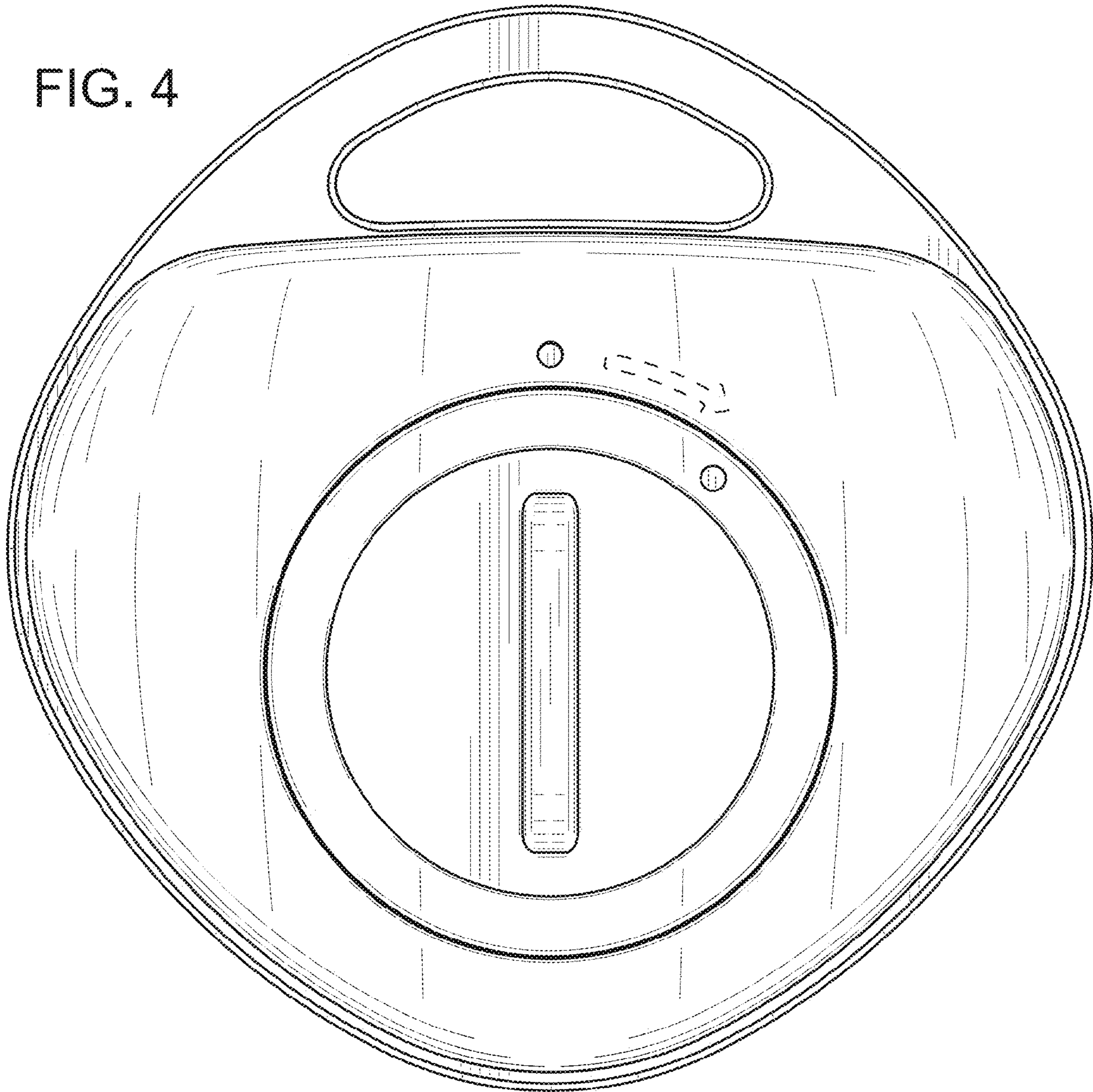


FIG. 5

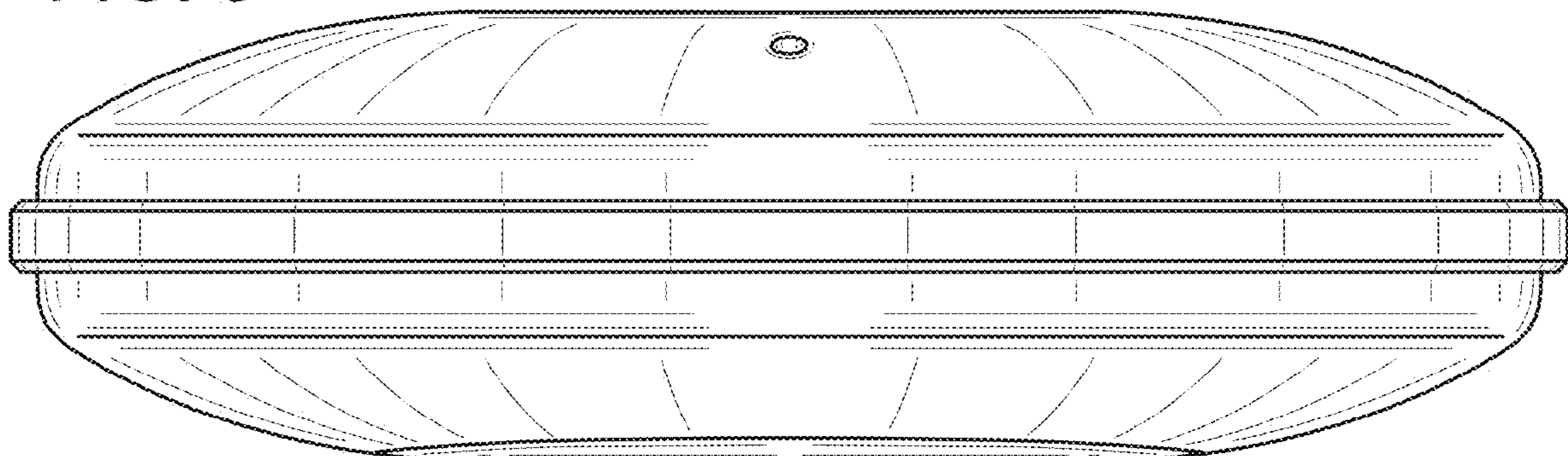


FIG. 6

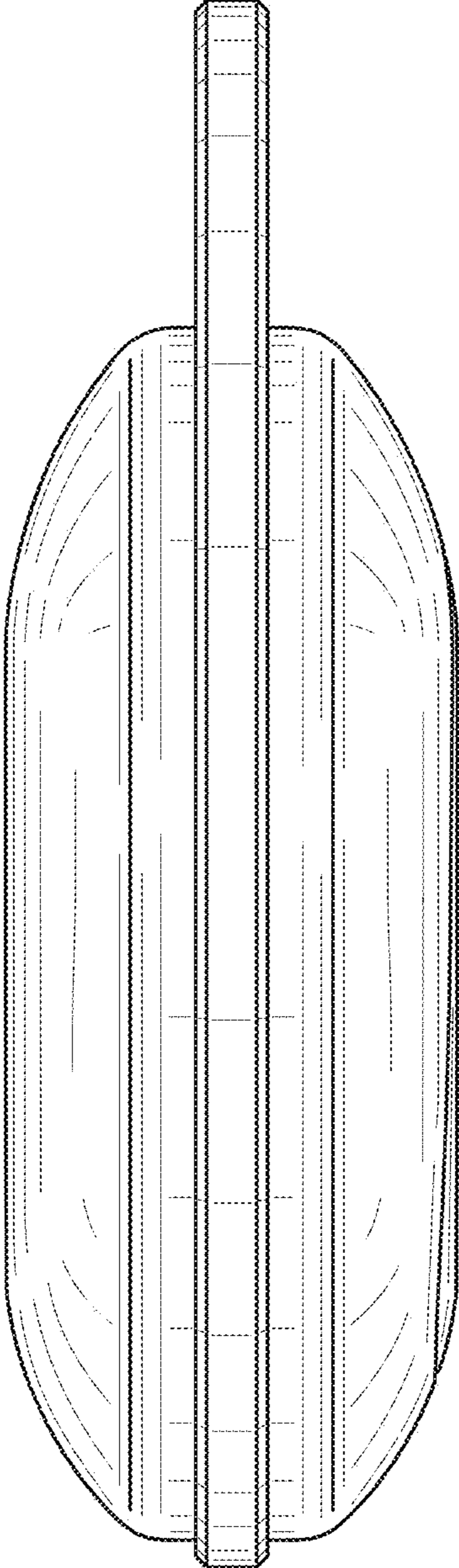


FIG. 7

