



US00D972944S

(12) **United States Design Patent** (10) **Patent No.:** **US D972,944 S**  
**Hegi** (45) **Date of Patent:** **\*\* Dec. 20, 2022**

(54) **WATCH**

(71) Applicant: **LOUIS VUITTON MALLETIER,**  
Paris (FR)

(72) Inventor: **Matthieu Hegi,** Vaud (CH)

(73) Assignee: **LOUIS VUITTON MALLETIER,**  
Paris (FR)

(\*\*) Term: **15 Years**

(21) Appl. No.: **29/747,031**

(22) Filed: **Aug. 19, 2020**

(30) **Foreign Application Priority Data**

Feb. 21, 2020 (EM) ..... 007708771

(51) **LOC (13) Cl.** ..... **10-02**

(52) **U.S. Cl.**  
USPC ..... **D10/39**

(58) **Field of Classification Search**

USPC ..... D10/30-39, 122-132; D14/344  
CPC ..... G04B 19/00; G04B 19/02; G04B 19/025;  
G04B 19/04; G04B 19/042; G04B 19/06;  
G04B 19/065; G04B 19/08; G04B  
19/085; G04B 19/087; G04B 37/00;  
G04B 37/0058; G04B 37/14; G04B  
37/1446; G04B 37/18; G04B 45/0046;  
G04B 45/0069; G04B 45/0076; G04B  
39/00; G04B 39/002; G04B 39/0004;  
G04B 39/0006

See application file for complete search history.

(56) **References Cited**

**U.S. PATENT DOCUMENTS**

D368,433 S \* 4/1996 Schulze ..... D10/30  
D479,137 S \* 9/2003 Kauffmann ..... D10/39  
D625,203 S \* 10/2010 Giannini ..... D10/32  
D627,242 S \* 11/2010 Jeanneret ..... D10/39  
D649,069 S \* 11/2011 Galli ..... D10/37

D659,553 S \* 5/2012 Cavalli ..... D10/39  
D671,846 S \* 12/2012 Parmigiani ..... D10/39  
D680,886 S \* 4/2013 Chiang ..... D10/39  
D724,962 S \* 3/2015 Vaptzarof ..... D10/39  
D738,747 S \* 9/2015 Calce ..... D10/125  
D784,830 S \* 4/2017 Hegi ..... D10/38  
D792,246 S \* 7/2017 Ruffieux ..... D10/30  
D804,967 S \* 12/2017 Galli ..... D10/32  
D814,319 S \* 4/2018 von Burg ..... D10/39  
D856,161 S \* 8/2019 Bressan ..... D10/38

(Continued)

**FOREIGN PATENT DOCUMENTS**

EP 2741150 A1 \* 6/2014 ..... G04B 17/285

**OTHER PUBLICATIONS**

Up Close Louis Vuitton Tambour Curve Flying Tourbillon |  
watchesbysjx.com; posted Jun. 20, 2020 [online]. SJX © 2011-  
2022[retrieved May 23, 2022] from Internet: <https://watchesbysjx.  
com/2020/04/louis-vuitton-tambour-curve-flying-tourbillon.html> (Year:  
2020).\*

*Primary Examiner* — Katherine Glennon

(74) *Attorney, Agent, or Firm* — Fross, Zelnick, Lehrman  
& Zissu, PC; Charles T. J. Weigell, Esq.

(57) **CLAIM**

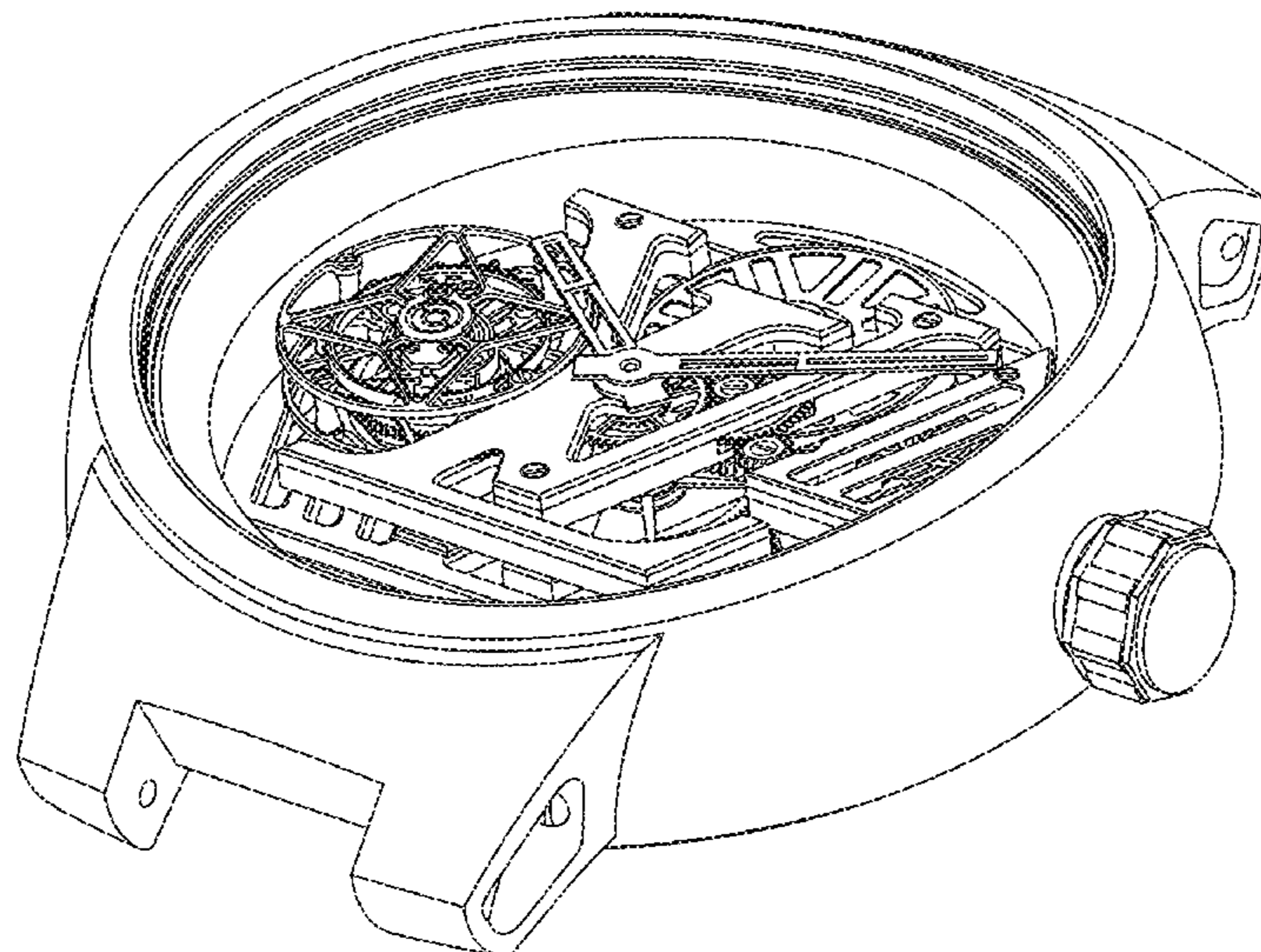
The ornamental design for a watch, as shown and described.

**DESCRIPTION**

FIG. 1 is a front perspective view of a watch showing my  
new design;  
FIG. 2 is a front view thereof;  
FIG. 3 is a back view thereof;  
FIG. 4 is a left side view thereof;  
FIG. 5 is a right side view thereof;  
FIG. 6 is a top view thereof; and,  
FIG. 7 is a bottom view thereof.

The stylized LV forming part of the claimed design is a  
registered trademark of Louis Vuitton Malletier.

**1 Claim, 7 Drawing Sheets**



(56)

**References Cited**

U.S. PATENT DOCUMENTS

D858,311 S \* 9/2019 Zhang ..... D10/30  
D858,316 S \* 9/2019 Behling ..... D10/39  
D934,713 S \* 11/2021 Lasserre ..... D10/126  
2018/0136610 A1 \* 5/2018 Guo ..... G04B 37/0033

\* cited by examiner

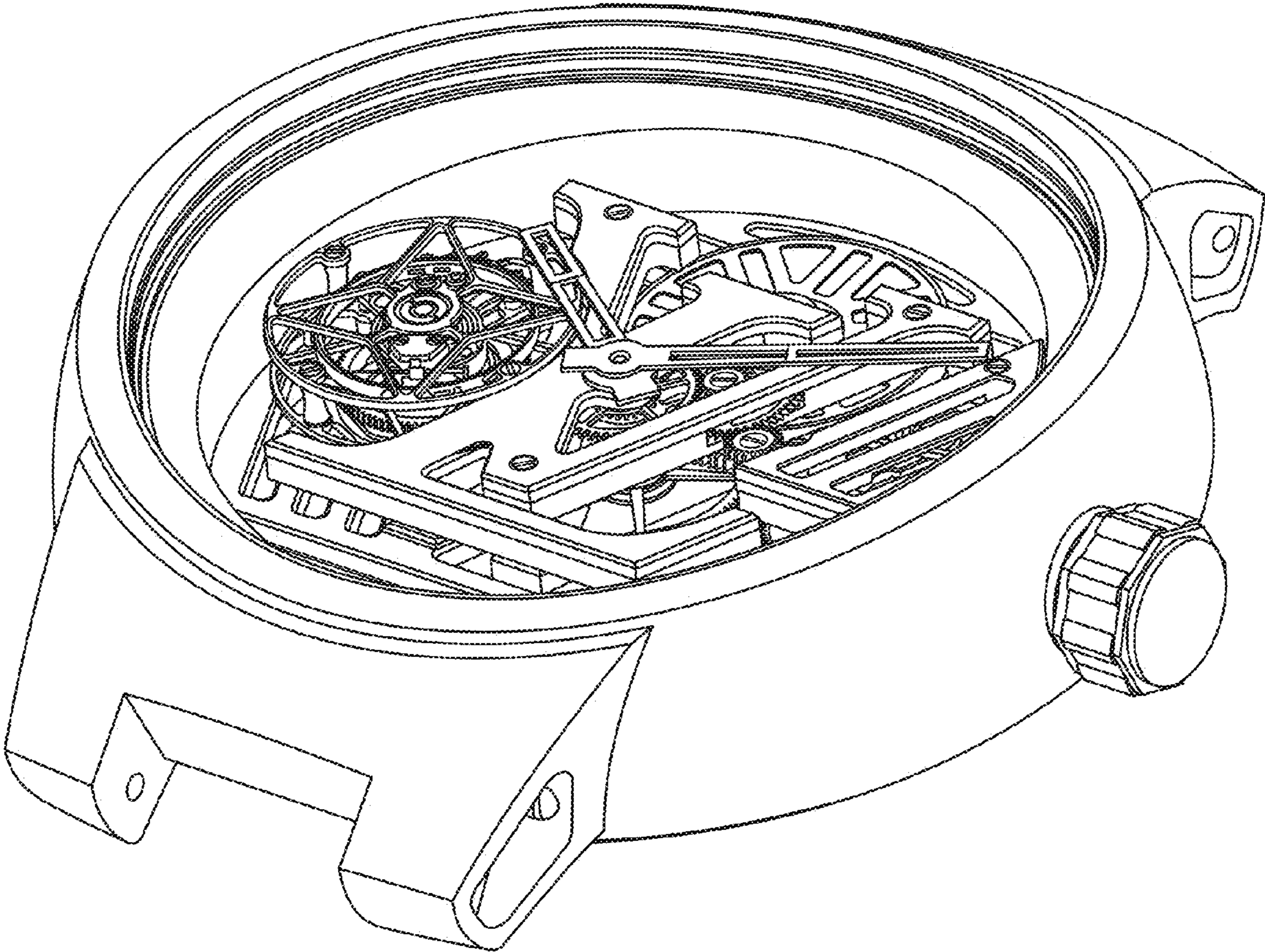


FIG. 1





FIG. 2



FIG. 3



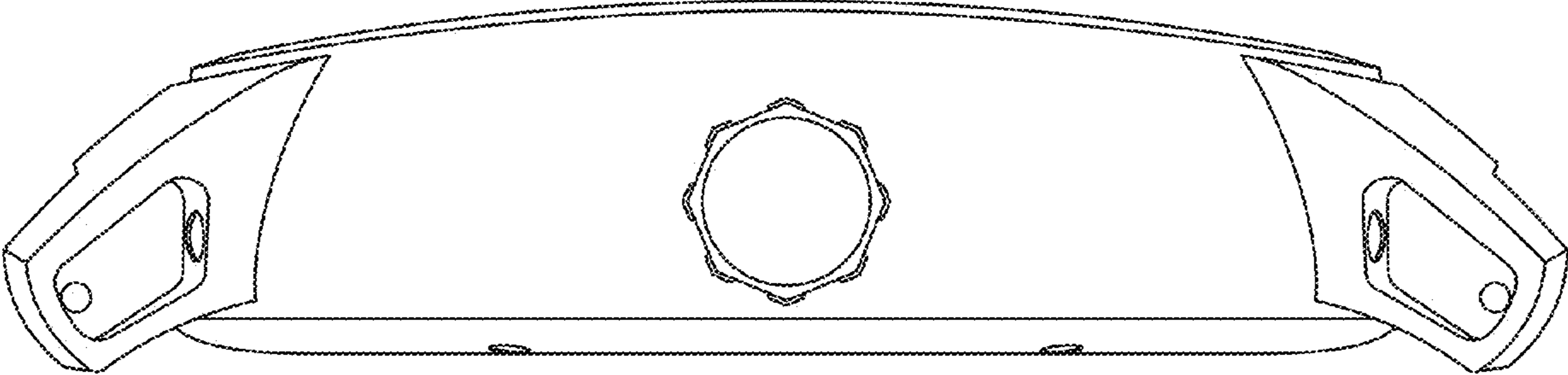


FIG. 4

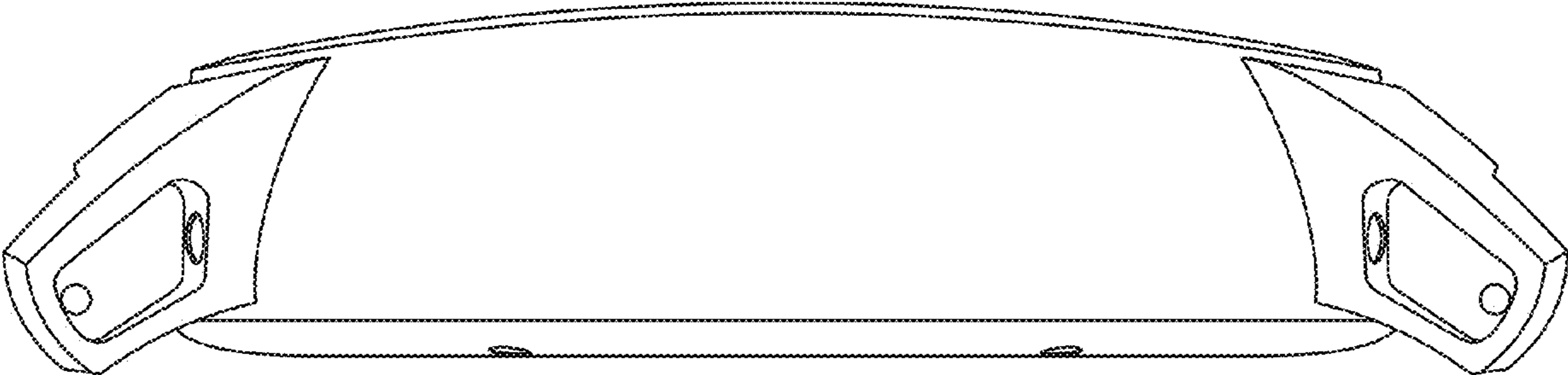


FIG. 5

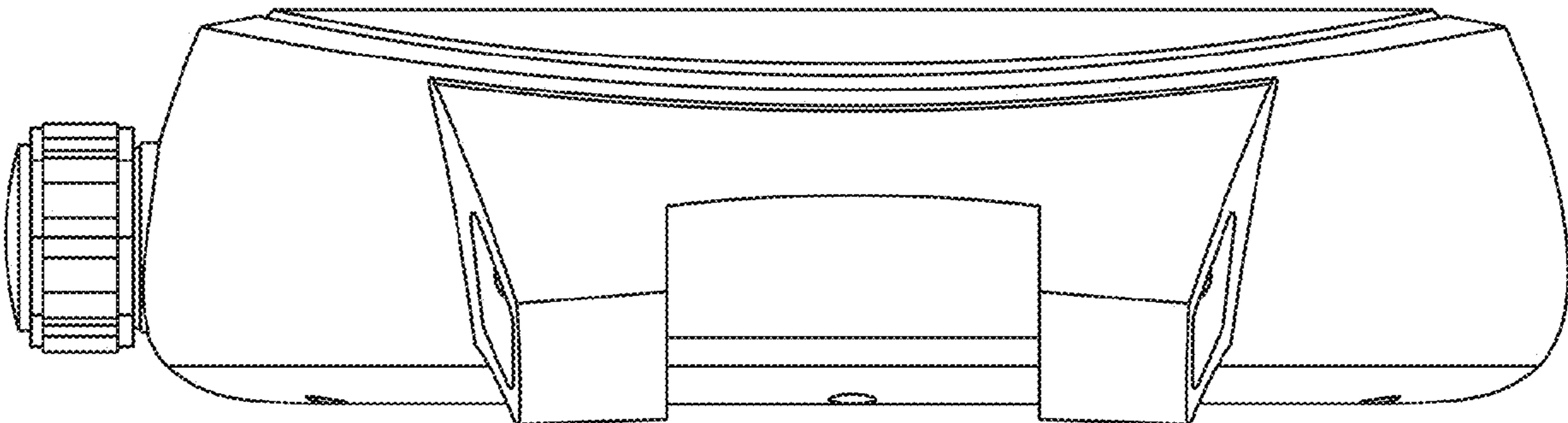


FIG. 6



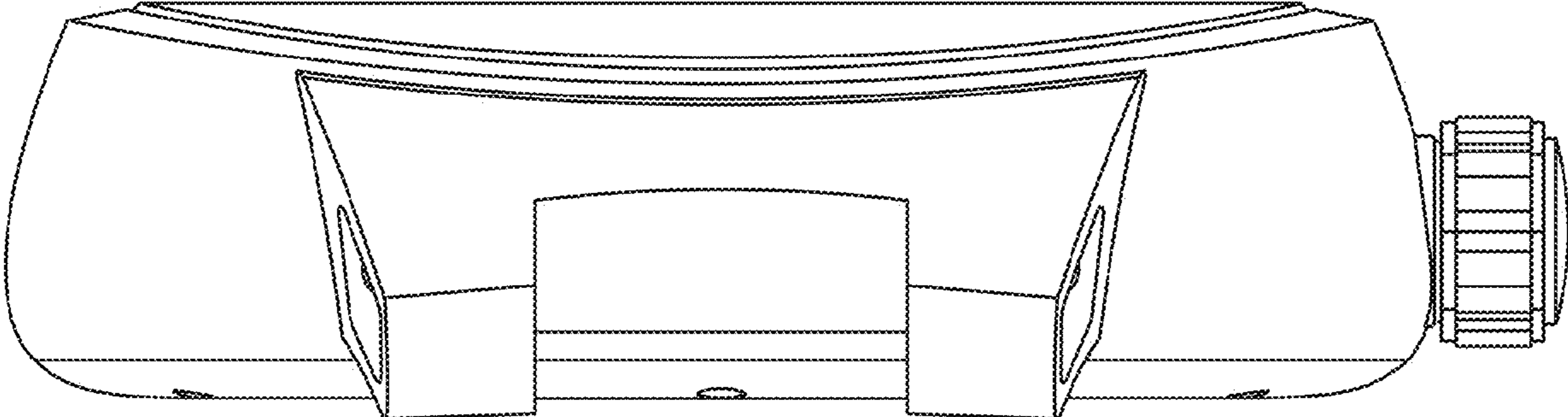


FIG. 7