



US00D972940S

(12) **United States Design Patent**
Nicholson

(10) **Patent No.:** **US D972,940 S**
(45) **Date of Patent:** **** Dec. 20, 2022**

- (54) **TABBED PACKAGING SLEEVE**
- (71) Applicant: **Amazon Technologies, Inc.**, Seattle, WA (US)
- (72) Inventor: **Chad R. Nicholson**, Seattle, WA (US)
- (73) Assignee: **Amazon Technologies, Inc.**, Seattle, WA (US)
- (**) Term: **15 Years**
- (21) Appl. No.: **29/741,301**
- (22) Filed: **Jul. 10, 2020**
- (51) **LOC (13) Cl.** **09-05**
- (52) **U.S. Cl.**
USPC **D9/711**; D9/416; D9/430; D9/713
- (58) **Field of Classification Search**
USPC D9/414-416, 430-432, 433, 707, 711, D9/713, 715, 719-721
CPC ... B65D 5/00; B65D 5/02; B65D 5/18; B65D 5/20; B65D 5/0245; B65D 85/48; B65D 77/0433; B65D 31/10-18; B65D 35/04; B65D 35/56
See application file for complete search history.

D769,732 S *	10/2016	Shoshan	D9/711
D787,933 S *	5/2017	Sill	D9/418
D849,531 S *	5/2019	Hockin	D9/737
10,894,627 B1 *	1/2021	Nicholson	B65D 5/4245
D941,671 S *	1/2022	Karp	D9/418

OTHER PUBLICATIONS

Trader Joes Chicken Wrap with Pesto Vinaigrette Reviews Trader Joes Reviews. [Online] 5 pages. First available: Feb. 7, 2016. Retrieved Jul. 14, 2022 from URL: <<https://www.traderjoesreviews.com/product/trader-joes-chicken-wrap-with-pesto-vinaigrette-reviews/>> (Year: 2016).*

(Continued)

Primary Examiner — Vy N Koenig
Assistant Examiner — Anastasia Longoria
(74) *Attorney, Agent, or Firm* — Lee & Hayes, P.C.

(57) **CLAIM**

The ornamental design for a tabbed packaging sleeve, as shown and described.

DESCRIPTION

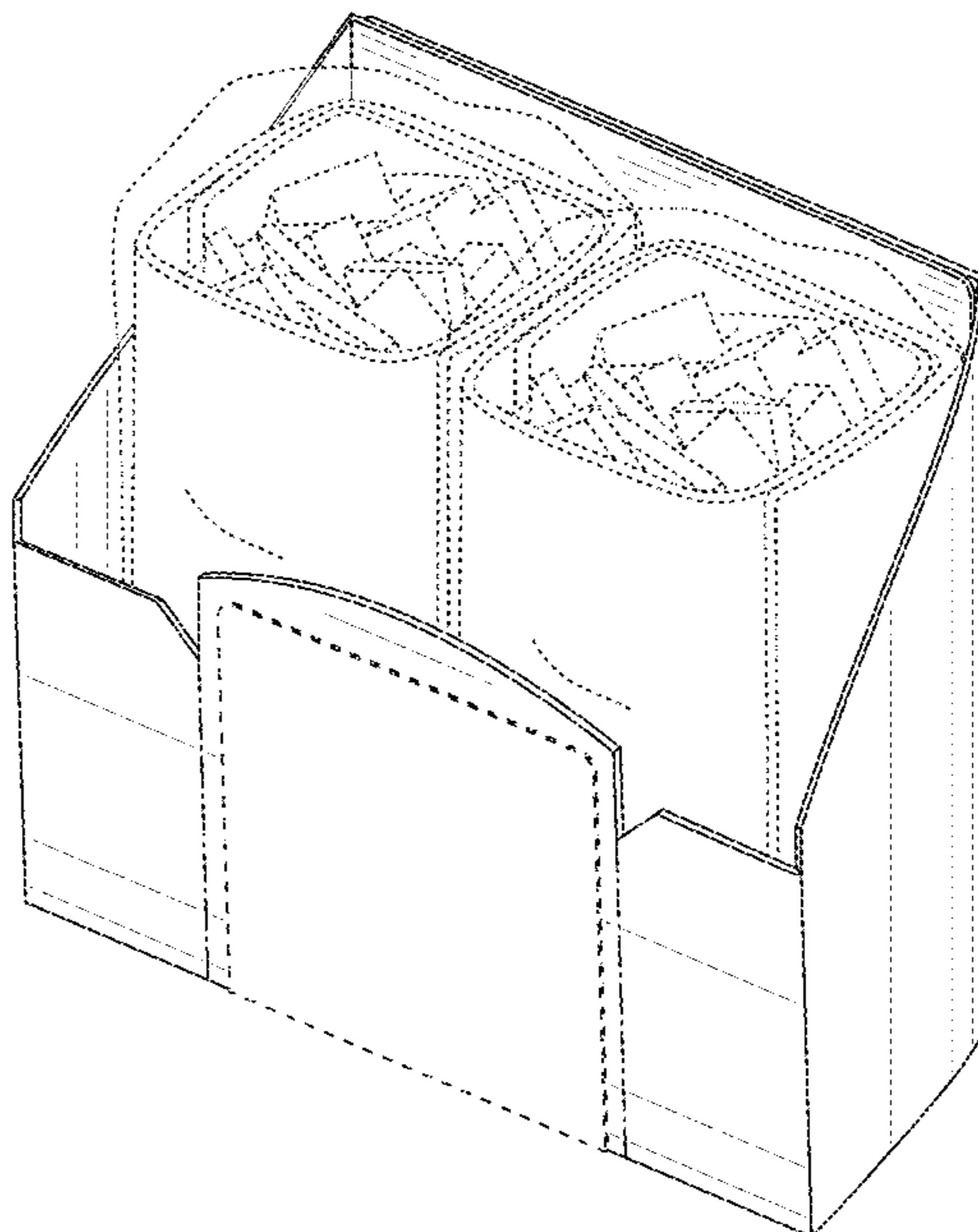
FIG. 1 is a top, front, right-side perspective view of a tabbed packaging sleeve;
FIG. 2 is a front view thereof;
FIG. 3 is a back view thereof;
FIG. 4 is a left-side view thereof;
FIG. 5 is a right-side view thereof;
FIG. 6 is a top view thereof; and,
FIG. 7 is a bottom view thereof.
The medium dashed broken lines depict portions of the tabbed packaging sleeve that form no part of the claimed design. The short dashed lines depict environment of the tabbed packaging sleeve that form no part of the claimed design. The dot-dashed broken lines depicts disclaimed perforation lines.

1 Claim, 7 Drawing Sheets

(56) **References Cited**

U.S. PATENT DOCUMENTS

D505,620 S *	5/2005	Huebsch	D9/416
D521,377 S *	5/2006	Jones	D9/432
D569,719 S *	5/2008	Ross	D9/416
D577,295 S *	9/2008	Miller	D9/711
D610,919 S *	3/2010	James	D9/711
D617,185 S *	6/2010	Wager	D9/431
D641,256 S *	7/2011	Fisher	D9/425
D657,693 S *	4/2012	Krankkala	D9/711
D678,048 S *	3/2013	Bakker	D9/416
D754,005 S *	4/2016	Frisch	D9/721



(56)

References Cited

OTHER PUBLICATIONS

Amazon Amazon Kitchen Chipotle Roasted Turkey Breast Wrap. [Online] 8 pages. First available: Apr. 7, 2021. Retrieved Jul. 14, 2022 from URL: <https://www.amazon.com/Amazon-Kitchen-Chipotle-Roasted-Turkey/dp/B08X2SSS9D/ref=pd_sbs_sccl_2_4/146-7673479-5231065?pd_rd_w=5KEJV%E2%80%A6> (Year: 2021).*

Amazon Amazon Kitchen, Buffalo-Style Chicken Wrap. [Online] 7 pages. First available: Apr. 1, 2021. Retrieved Jul. 14, 2022 from URL: <https://www.amazon.com/Amazon-Kitchen-Buffalo-Style-Chicken-8-1oz/dp/B08FDBCMYC/ref=sr_1_25_f3_0o_fs?crid=216HVR3FSMX32&keywords=%E2%80%A6> (Year: 2021).*

* cited by examiner

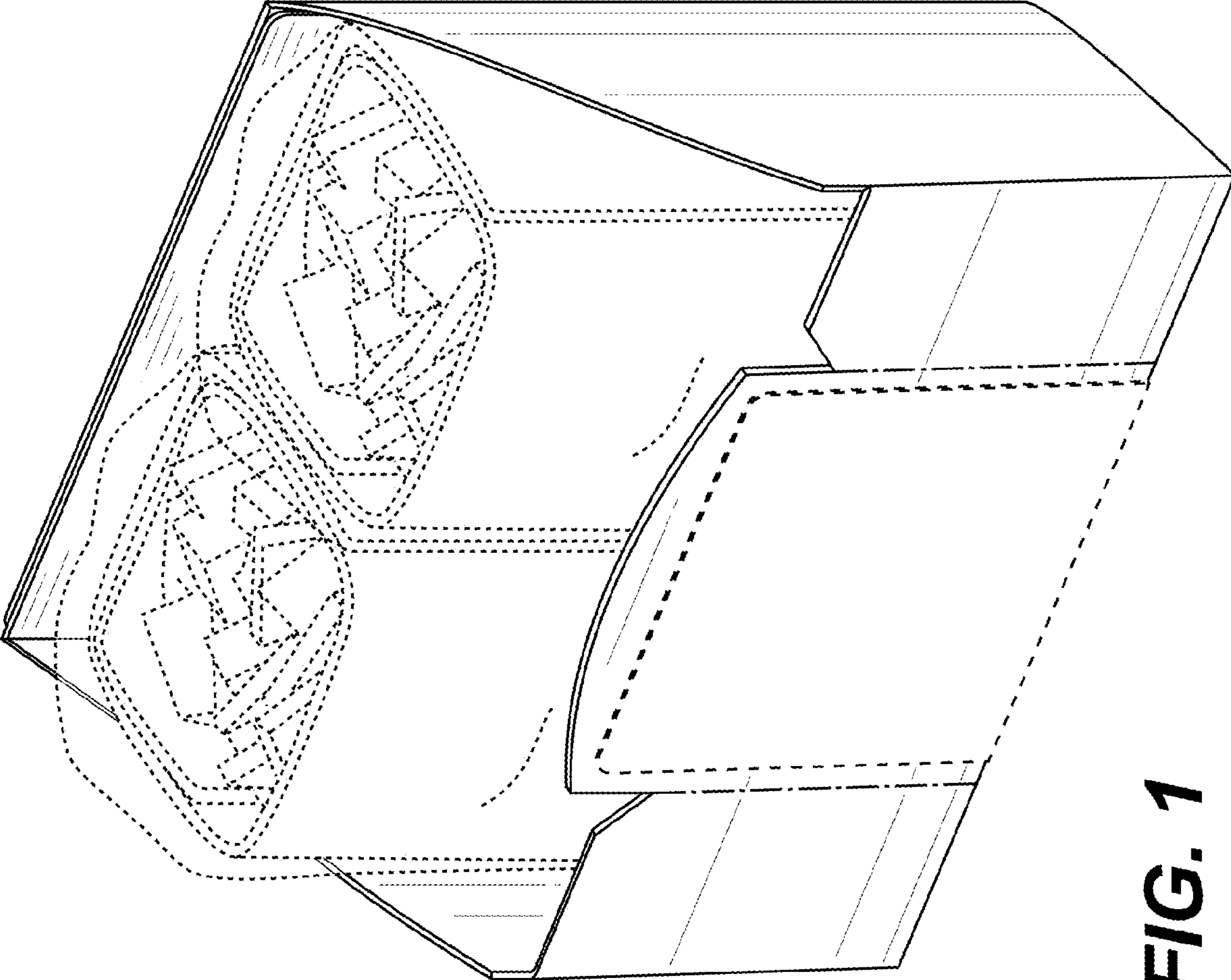


FIG. 1

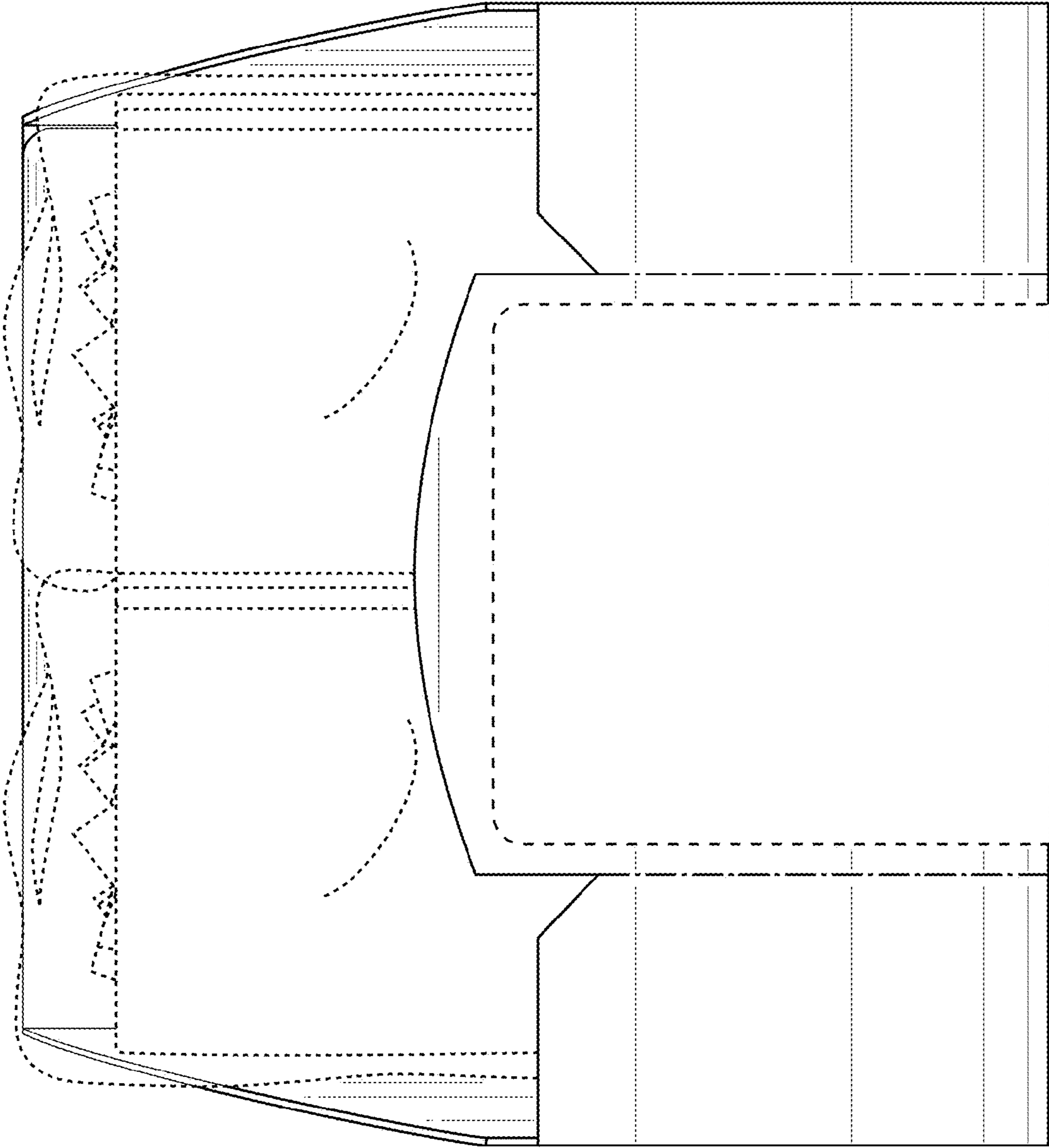


FIG. 2

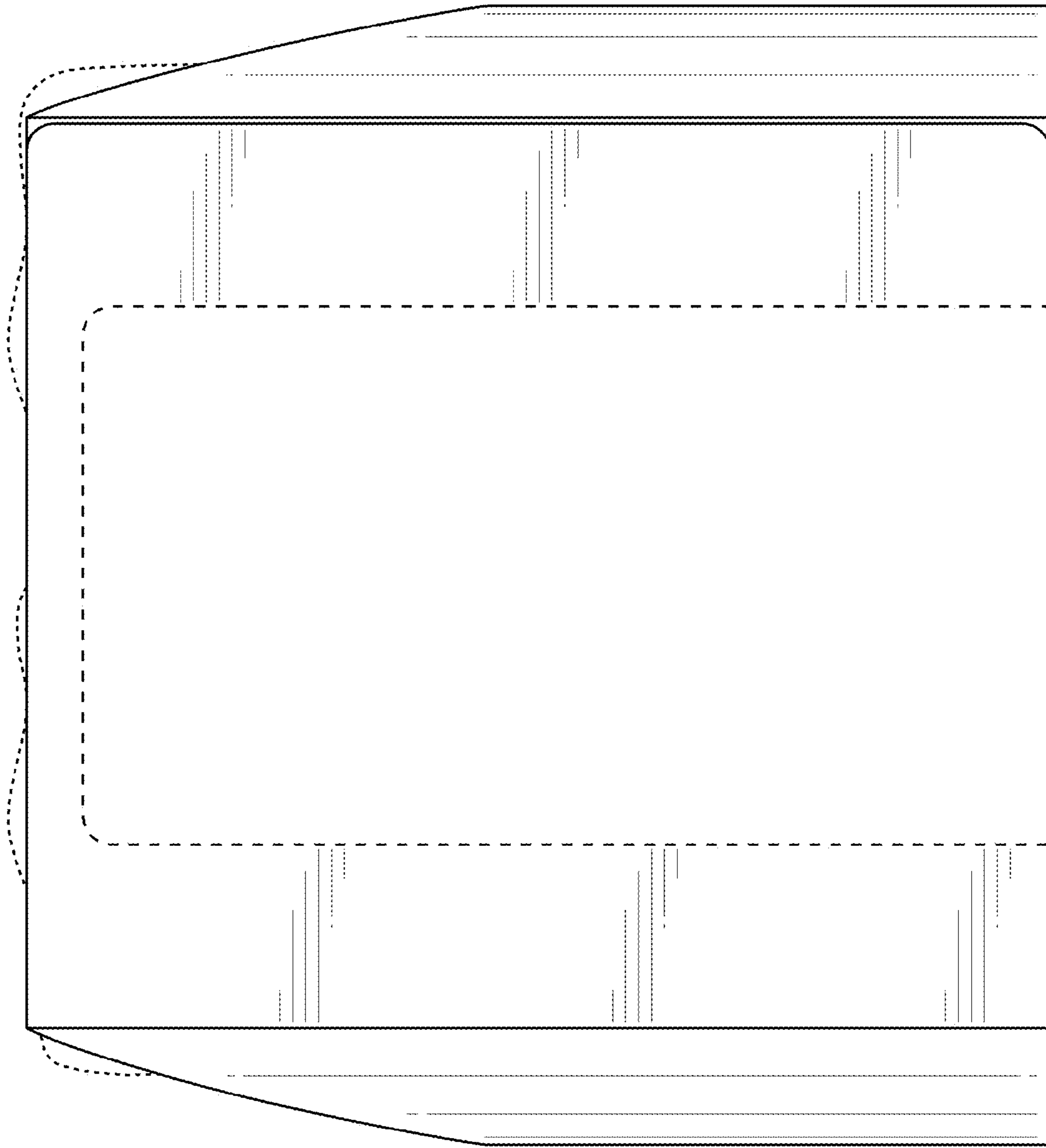


FIG. 3

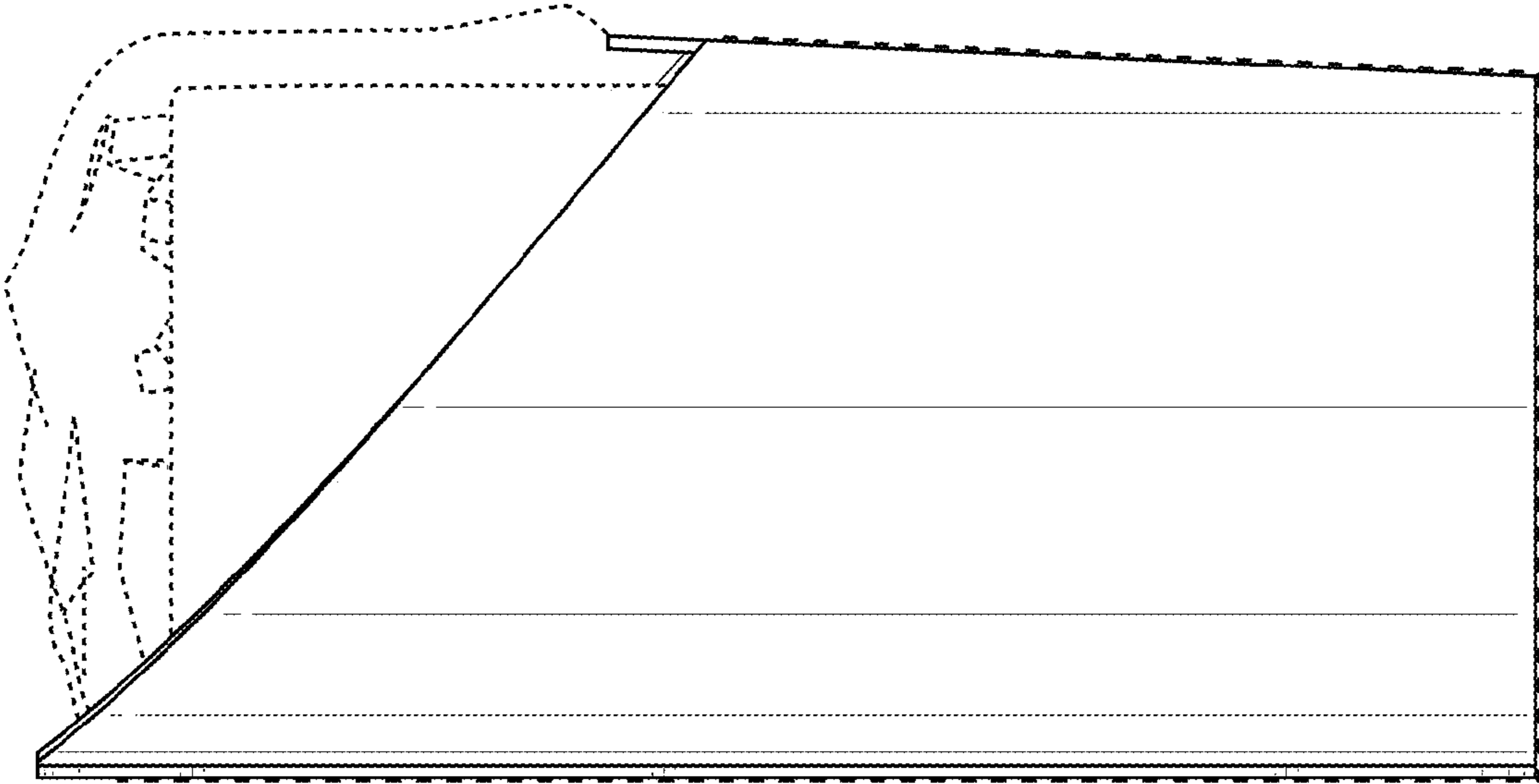


FIG. 4

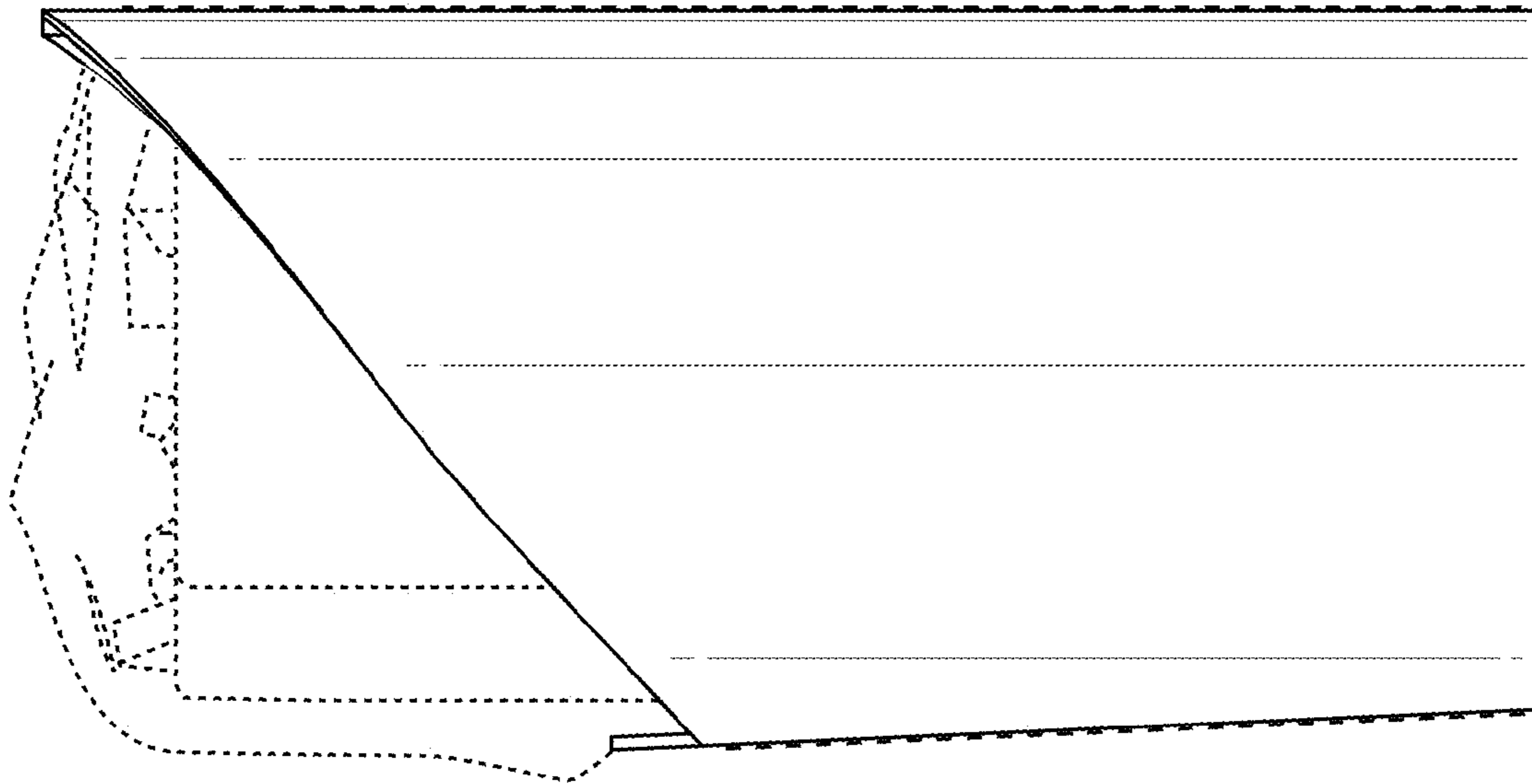


FIG. 5

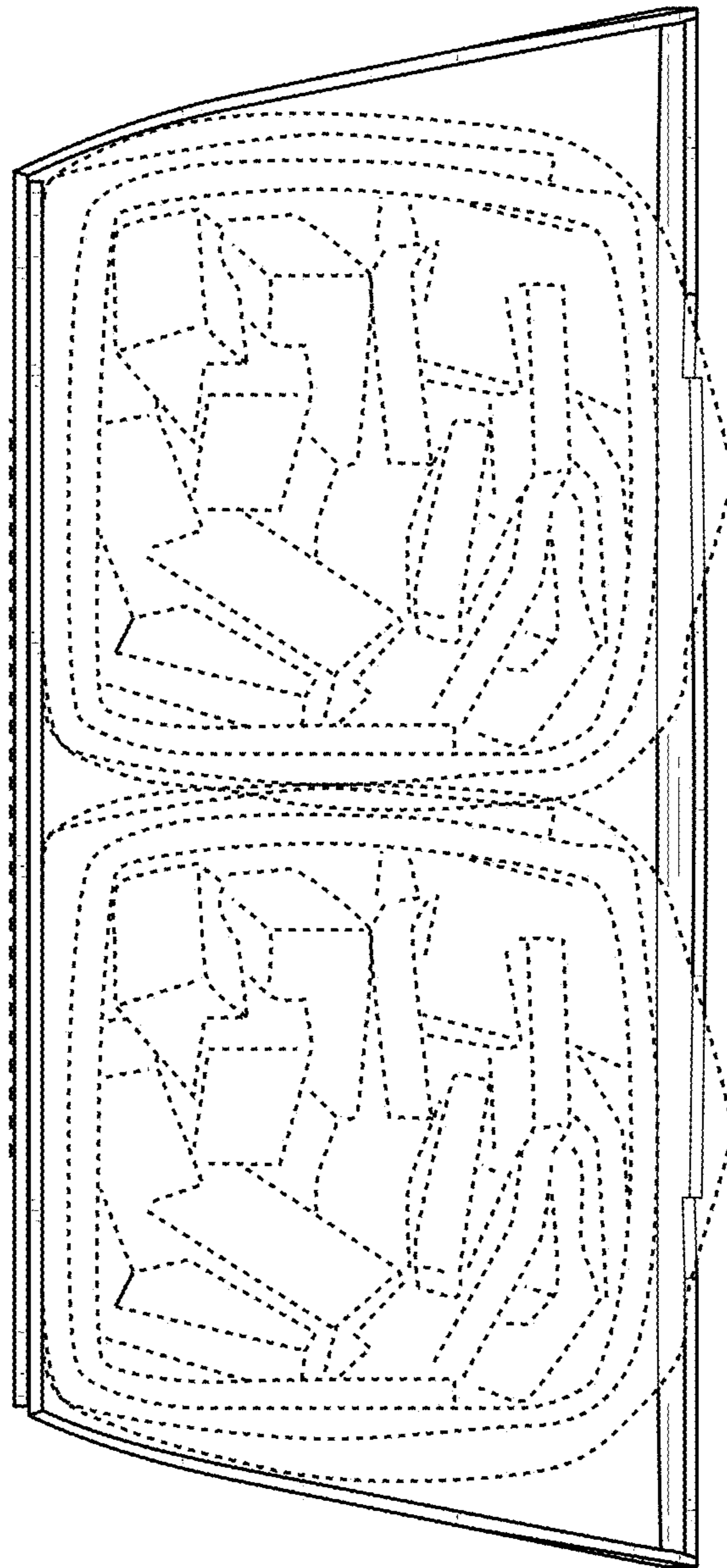


FIG. 6

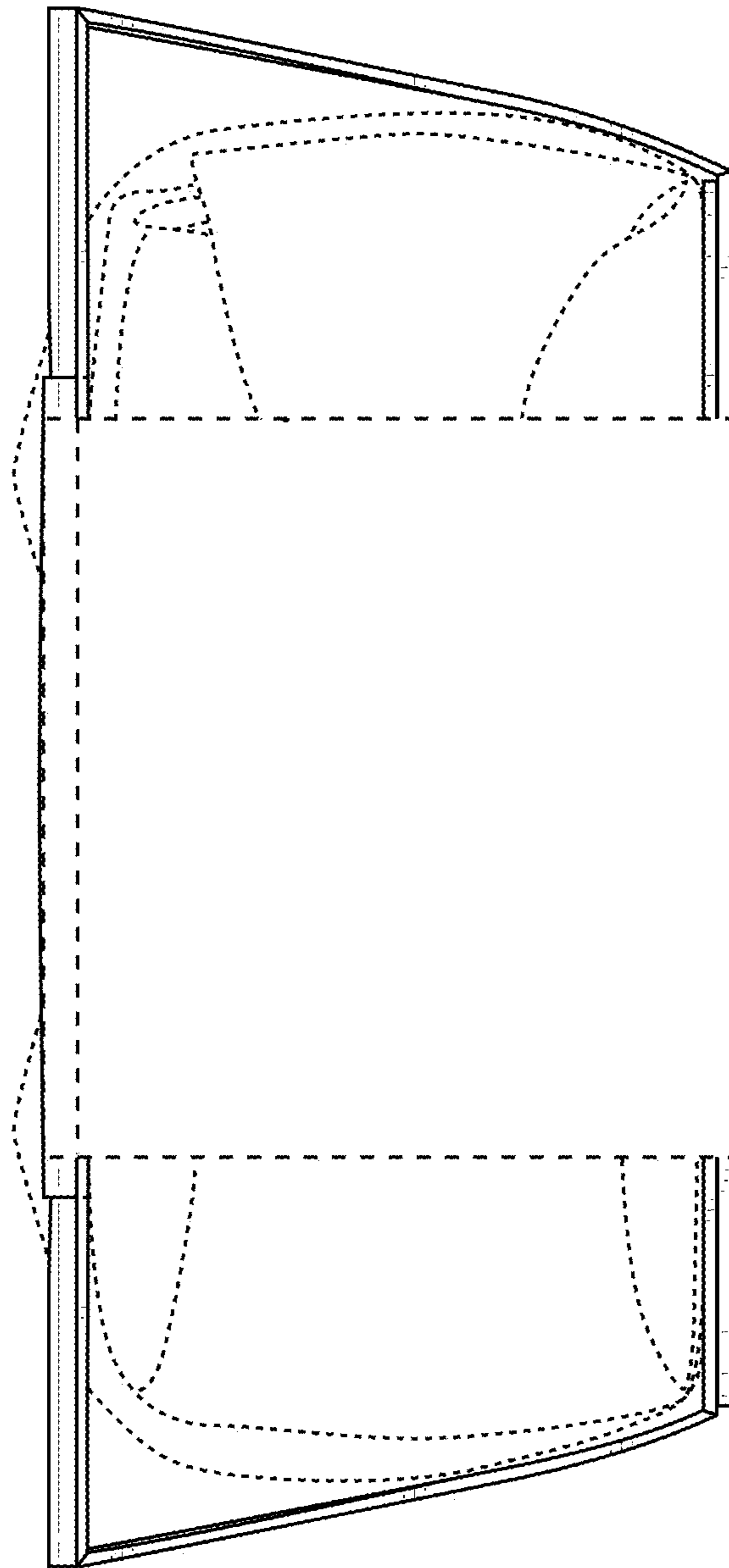


FIG. 7