



US00D972932S

(12) **United States Design Patent**
Borg et al.

(10) **Patent No.:** **US D972,932 S**

(45) **Date of Patent:** **** Dec. 20, 2022**

(54) **KEG CAP**

(71) Applicant: **Oregon Precision Industries, Inc.**,
Eugene, OR (US)

(72) Inventors: **Zakary James Borg**, Eugene, OR
(US); **Ronald Lee Mellor, Jr.**, Eugene,
OR (US)

(73) Assignee: **OREGON PRECISION**
INDUSTRIES, INC., Eugene, OR (US)

(**) Term: **15 Years**

(21) Appl. No.: **29/737,789**

(22) Filed: **Jun. 11, 2020**

(51) **LOC (13) Cl.** **09-07**

(52) **U.S. Cl.**
USPC **D9/443; D9/453**

(58) **Field of Classification Search**
USPC D7/392.1, 396.2; D9/434, 435, 452-454,
D9/499, 443

CPC A47G 21/18; A61J 7/0038; B65D 2517/0049
See application file for complete search history.

(56) **References Cited**

U.S. PATENT DOCUMENTS

- D132,771 S * 6/1942 Hutaff, Jr. D9/443
- D170,712 S * 10/1953 Painter D7/392.1
- D251,827 S * 5/1979 Commisso D7/392.1
- D256,674 S * 9/1980 Hoyt D9/443
- D271,945 S * 12/1983 Ochs D9/454
- 4,705,188 A * 11/1987 Rahn B65D 43/0212
220/366.1
- D327,808 S * 7/1992 Kline D7/391
- D327,849 S * 7/1992 Armstrong D9/453
- D432,914 S * 10/2000 Hayes D9/434
- D452,155 S * 12/2001 Stodd D9/434
- D522,857 S * 6/2006 Tabeshnekoo D9/435
- D526,840 S * 8/2006 Carlson D7/392.1

- D597,838 S * 8/2009 Stuart D9/454
- D712,740 S * 9/2014 Antal D9/435
- D726,006 S * 4/2015 Rapparini D9/434
- D739,234 S * 9/2015 Antal, Sr. D9/445
- D756,222 S * 5/2016 Lopez D9/434
- D835,455 S * 12/2018 Sedgwick D7/392.1
- D871,834 S * 1/2020 Sarnoff D7/392.1
- D908,002 S * 1/2021 Bontrager D7/391
- D911,102 S * 2/2021 Öztürk D7/392.1
- D917,963 S * 5/2021 Öztürk D7/392.1

OTHER PUBLICATIONS

PakTech. PakTech's new vented protective KegKap. No date specified.
<https://resources.paktech-opi.com/kegkap> (Year: 0).*

Atlantic Brew Supply. Plastic Keg Caps, White (100 ct). No date specified,
https://www.atlanticbrewsupply.com/Plastic-Keg-Caps-White-100-ct_p_2693.html (Year: 0).*

* cited by examiner

Primary Examiner — Darcey E Gottschalk

(74) *Attorney, Agent, or Firm* — Alleman Hall Creasman & Tuttle LLP

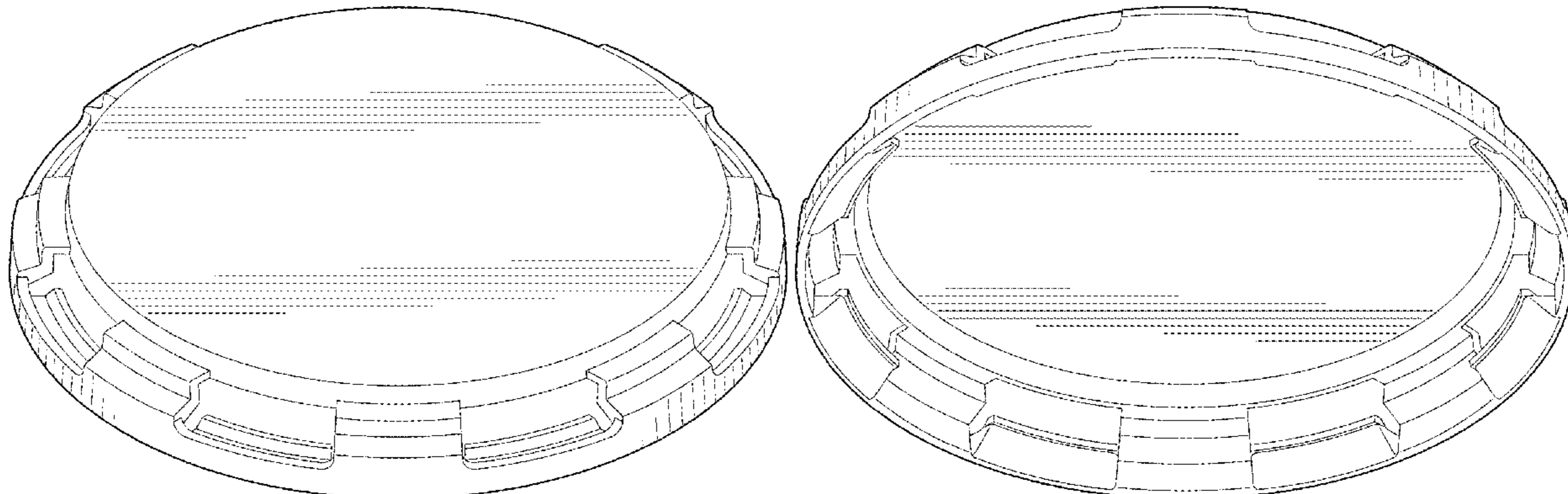
(57) **CLAIM**

The ornamental design for a keg cap, as shown and described.

DESCRIPTION

FIG. 1 is a top perspective view of an ornamental design for a keg cap showing our new design.
FIG. 2 is a bottom perspective view of the keg cap of FIG. 1.
FIG. 3 is a front view of the keg cap of FIG. 1, wherein the back, left side, and right side views are identical images thereof.
FIG. 4 is a top view of the keg cap of FIG. 1; and,
FIG. 5 is a bottom view of the keg cap of FIG. 1.

1 Claim, 3 Drawing Sheets



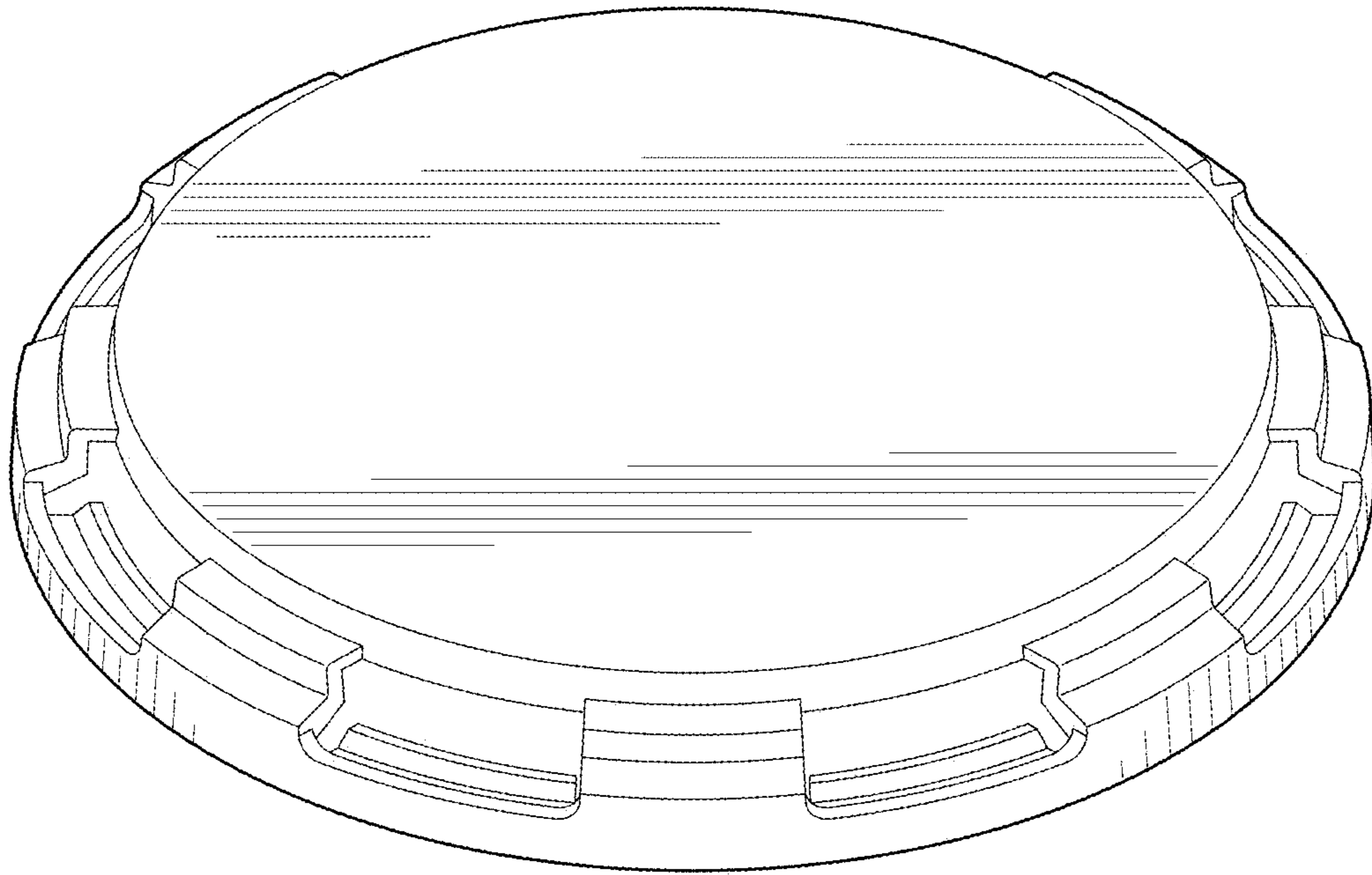


FIG. 1

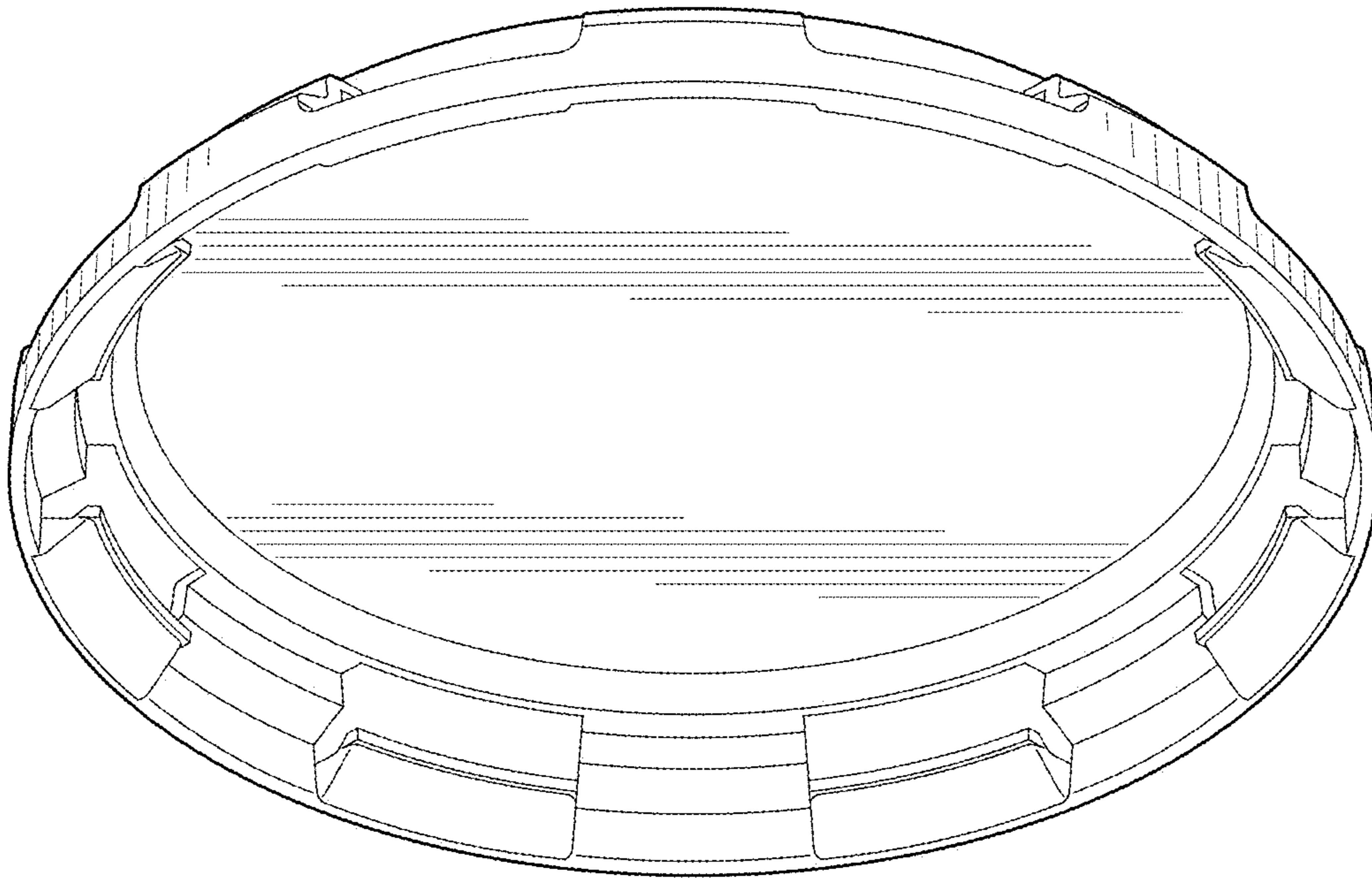


FIG. 2

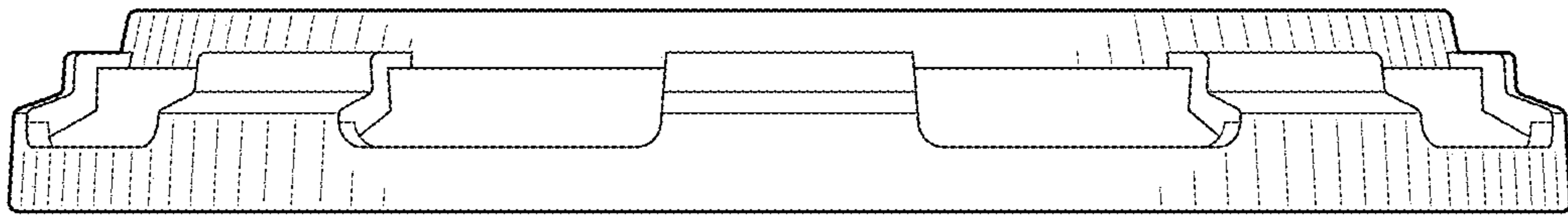


FIG. 3

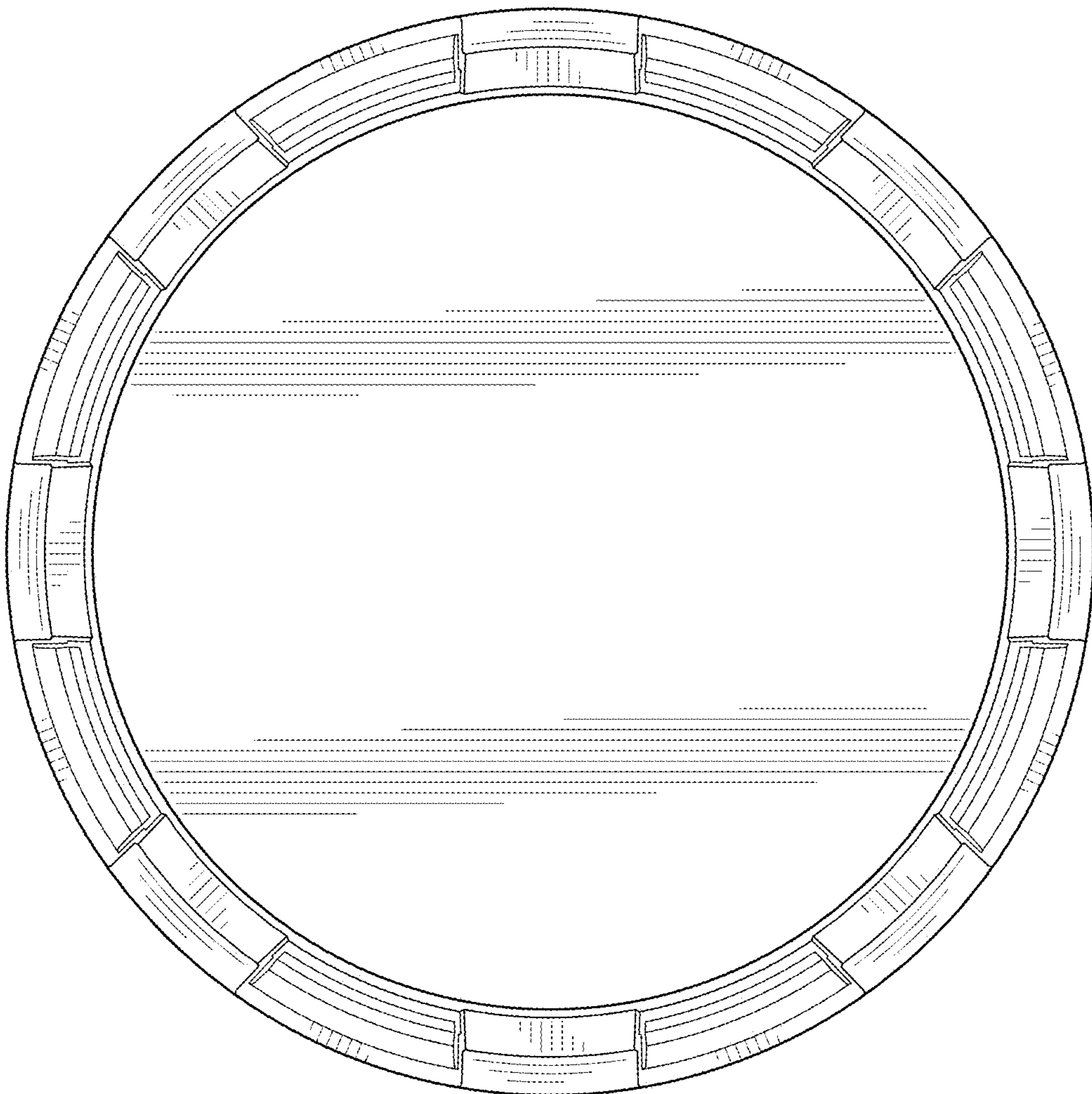


FIG. 4

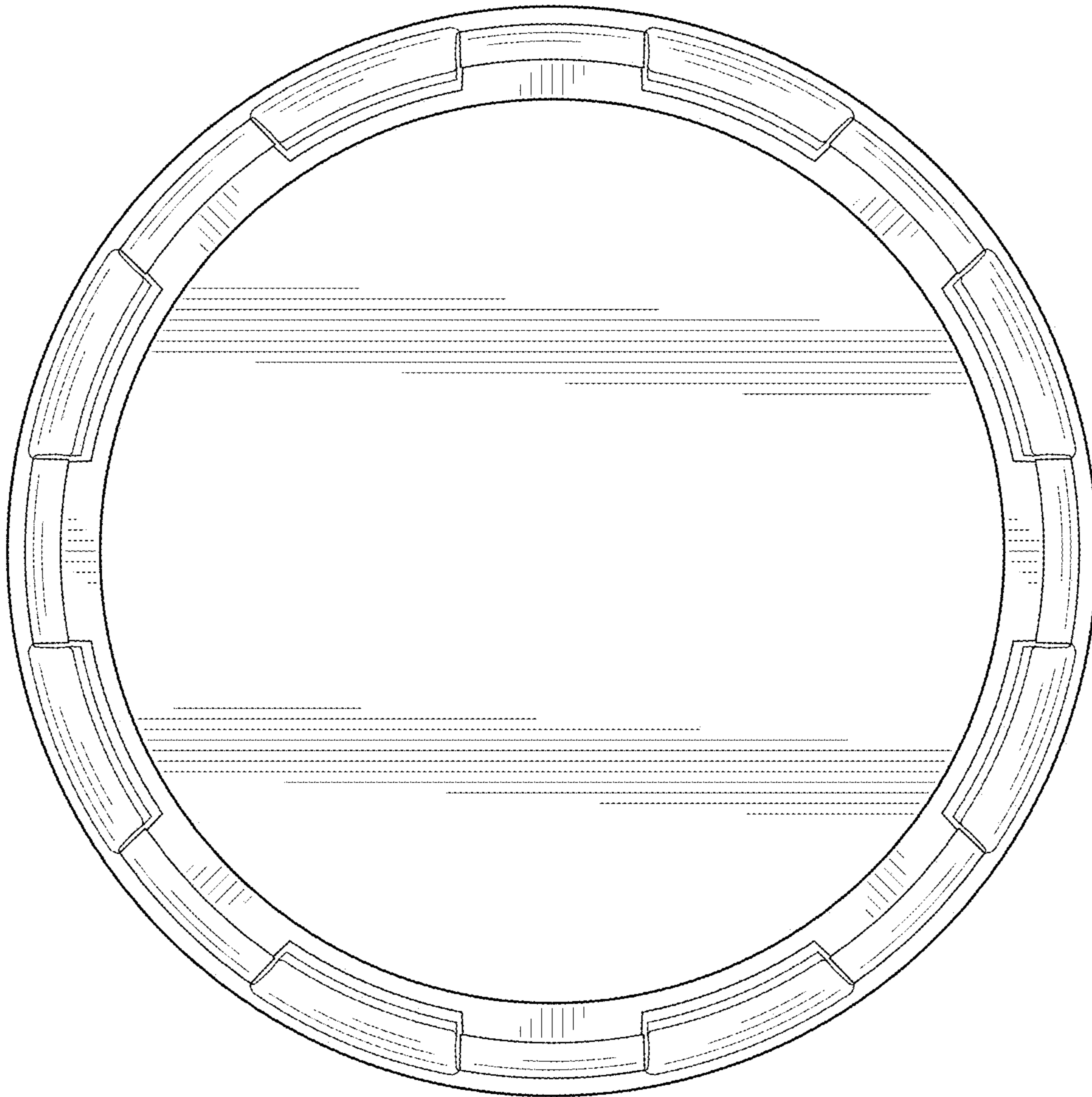


FIG. 5