



US00D972927S

(12) **United States Design Patent**
Fukuhara

(10) **Patent No.:** **US D972,927 S**

(45) **Date of Patent:** **** Dec. 20, 2022**

(54) **MAGNET CLIP**

FOREIGN PATENT DOCUMENTS

(71) Applicant: **TRYL Co., Ltd.**, Tokyo (JP)

GB 6161104 * 9/2021
KR 301127887.0000 * 10/2021

(72) Inventor: **Masayuki Fukuhara**, Kanagawa (JP)

(73) Assignee: **TRYL CO., LTD.**, Tokyo (JP)

(**) Term: **15 Years**

OTHER PUBLICATIONS

(21) Appl. No.: **29/692,849**

T-Shirt Magnetic Clip, google.com, [online], [site visited Dec. 4, 2021], Available from internet URL: <https://www.yourpromostore.com/p/product/98b064cd-cefb-4700-9adb-26956d93a829/t-shirt-magnetic-clip> (Year: NA).*

(22) Filed: **May 29, 2019**

T-Shirt Magnetic Clip, google.com, [online], [site visited Dec. 4, 2021], Available from internet URL: https://www.promotionsnow.com/products/t-shirt-magnetic-clip_861497 (Year: NA).*

(51) **LOC (13) Cl.** **08-08**

(52) **U.S. Cl.**

USPC **D8/395**; D8/398

(58) **Field of Classification Search**

USPC D8/394, 395, 96; D11/214, 215;
D21/600

CPC A41B 3/08; A41F 15/02; F16B 19/1081;
G09F 3/14; B42F 1/006; B42F 1/08;
B42F 9/001; A47F 7/02

See application file for complete search history.

* cited by examiner

Primary Examiner — Omeed Agilee

(74) *Attorney, Agent, or Firm* — Wenderoth, Lind & Ponack, L.L.P.

(57) **CLAIM**

The ornamental design for a magnet clip, as shown and described.

DESCRIPTION

(56) **References Cited**

U.S. PATENT DOCUMENTS

- 5,515,545 A * 5/1996 Becton A47G 9/0253
2/113
- D671,686 S * 11/2012 Lysiak D28/75
- D701,705 S * 4/2014 Carr D6/513
- D753,991 S * 4/2016 Pan D8/395
- D777,838 S * 1/2017 Myles D20/29
- D777,839 S * 1/2017 Myles D20/29
- D788,575 S * 6/2017 Kim D8/395
- D859,506 S * 9/2019 Huang D16/237
- D876,212 S * 2/2020 Waldman A61H 7/001
D8/395
- D891,238 S * 7/2020 Kassin D8/395
- D924,674 S * 7/2021 Mangano D8/395
- D936,471 S * 11/2021 Kassin D8/395

FIG. 1 is a front view of a magnet clip, showing my new design;

FIG. 2 is a rear view thereof;

FIG. 3 is a right side view thereof;

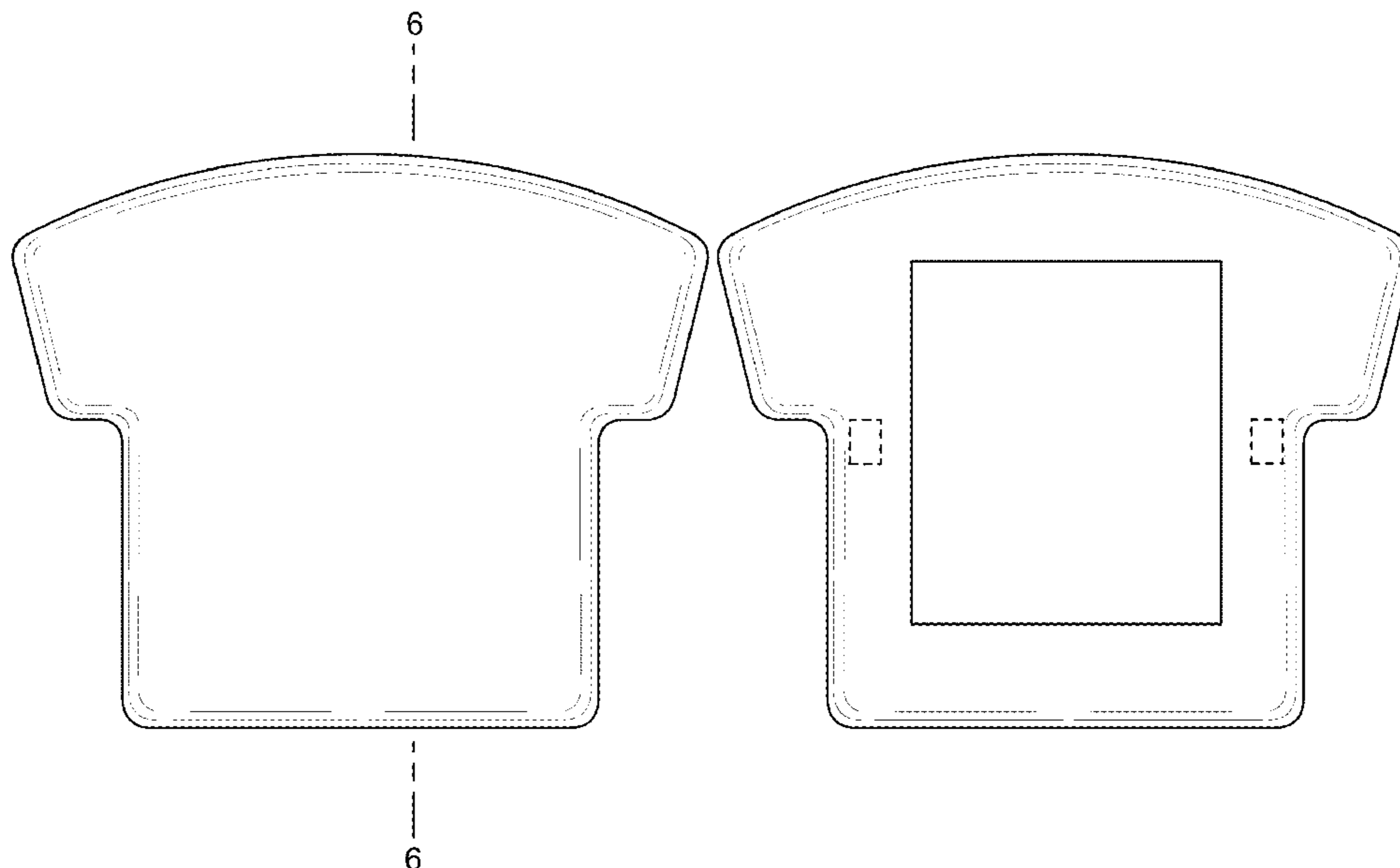
FIG. 4 is a top view thereof;

FIG. 5 is a bottom view thereof;

FIG. 6 is a cross-sectional view thereof taken along line 6-6 shown in FIG. 1; and,

FIG. 7 is a front view of the magnet clip, in its environment. The broken lines shown in FIGS. 2-4 and 6 depict portions of the magnet clip that form no part of the claimed design. The broken line structure in FIG. 7 is provided for purposes of environment and forms no part of the claimed design.

1 Claim, 7 Drawing Sheets



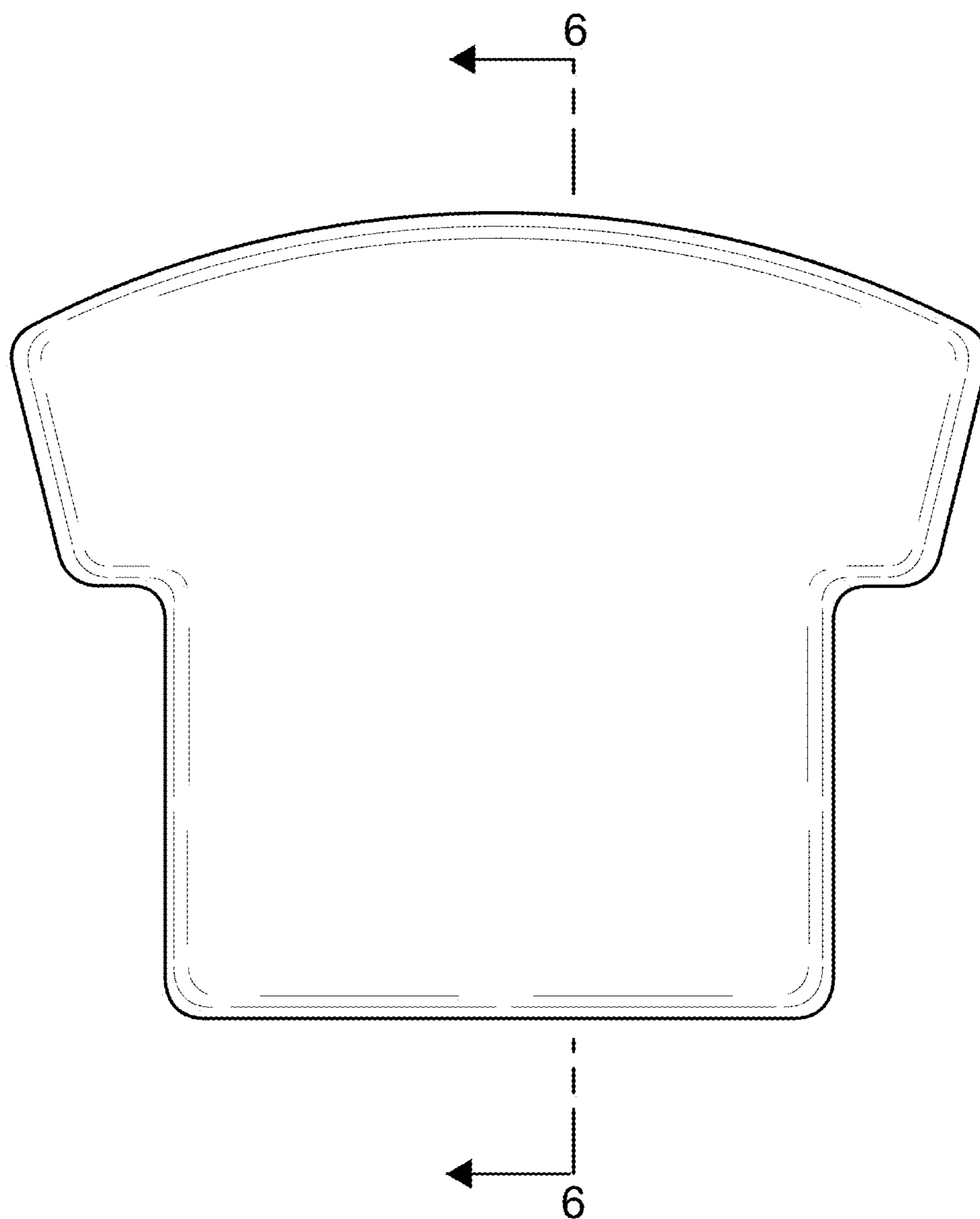


FIG. 1

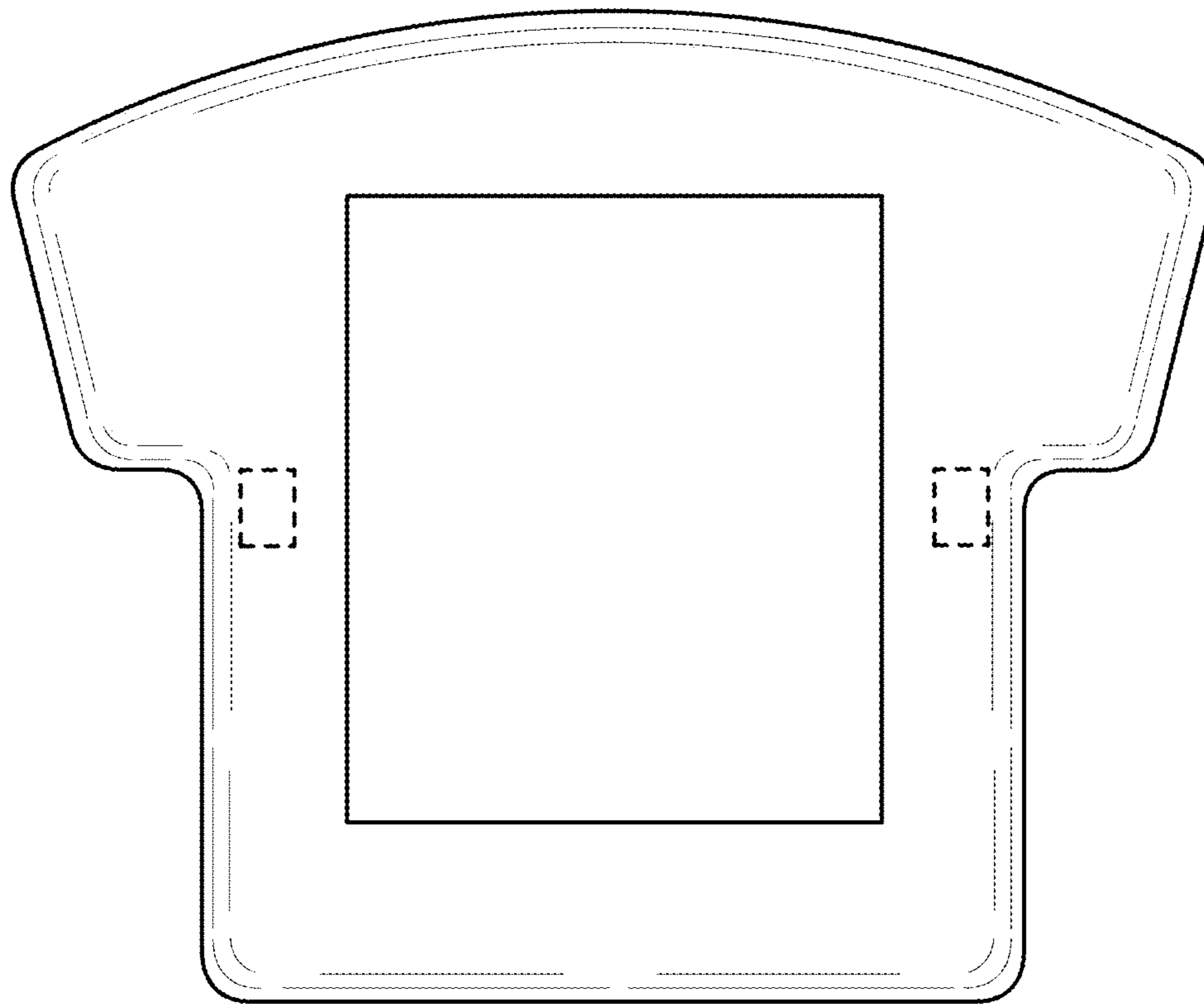


FIG. 2

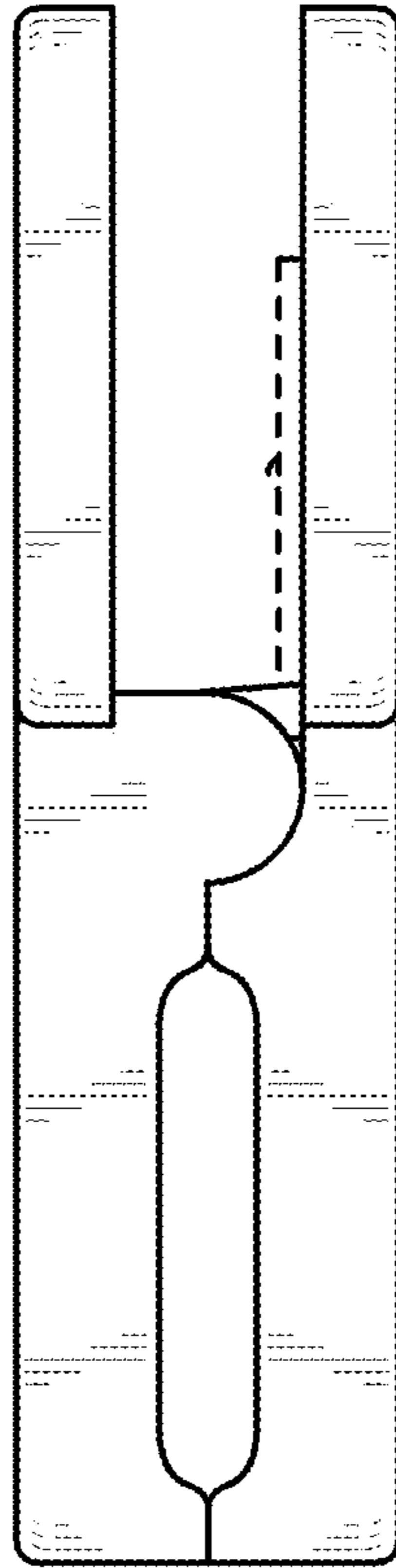


FIG. 3

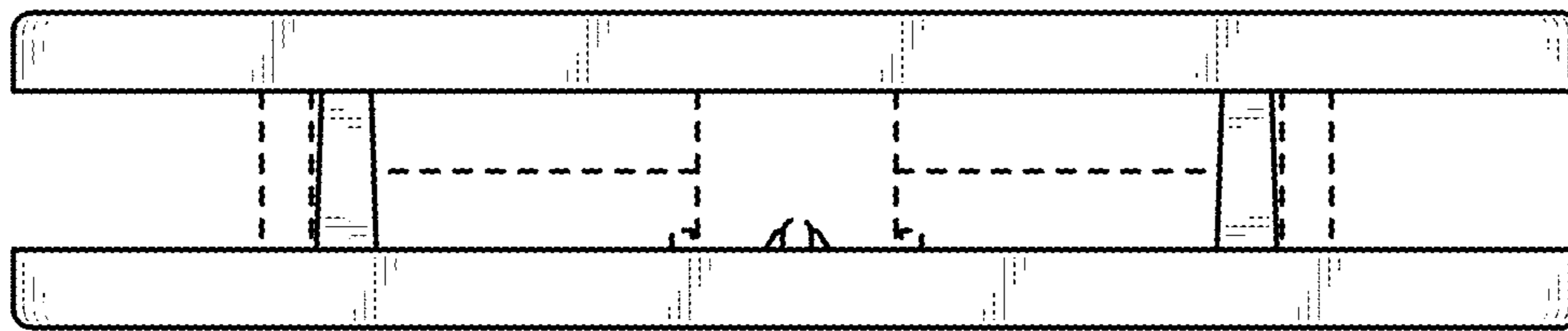


FIG. 4

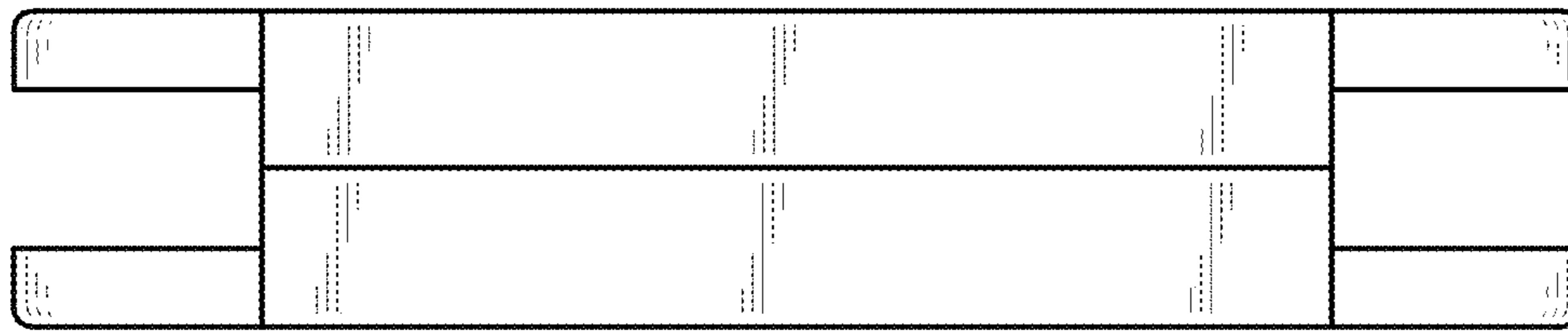


FIG. 5

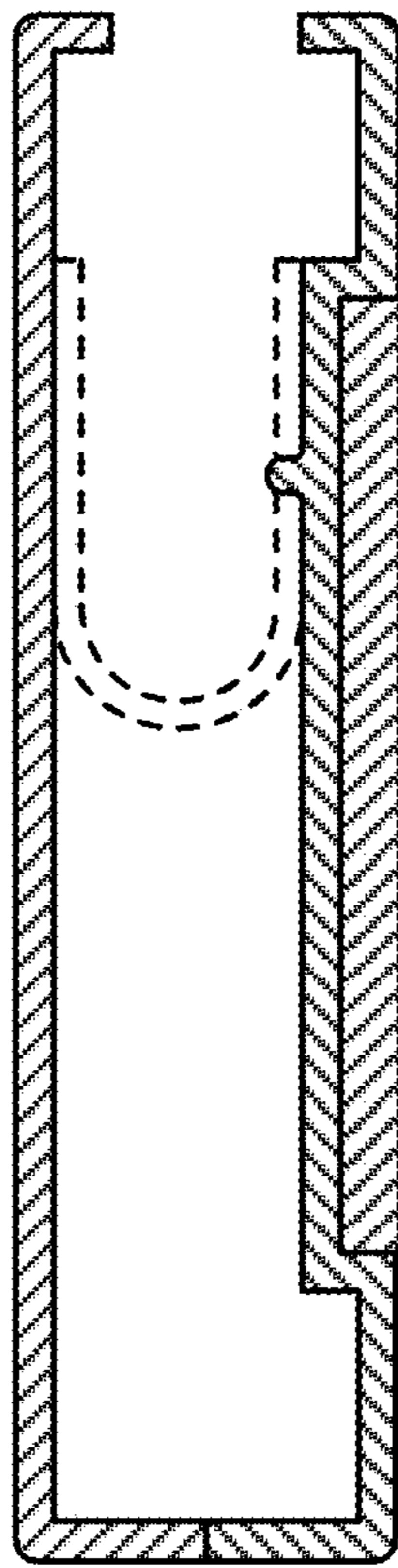


FIG. 6

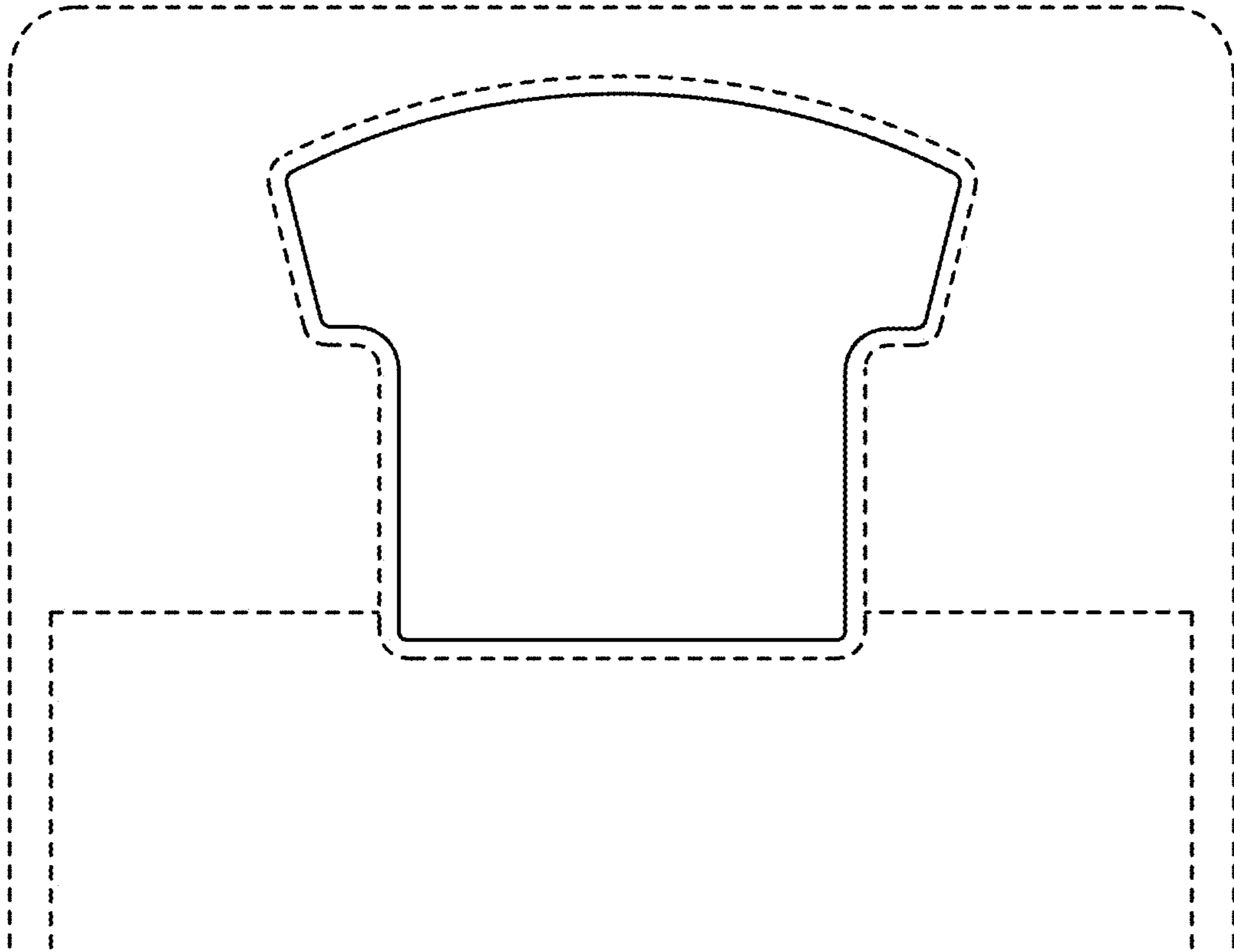


FIG. 7