



US00D972926S

(12) **United States Design Patent** (10) **Patent No.:** **US D972,926 S**  
**Lowrey** (45) **Date of Patent:** **\*\* Dec. 20, 2022**

(54) **TENSION BOARD FOR FENCES**  
(71) Applicant: **WIREMAN PTY LIMITED**, Milsons Point (AU)  
(72) Inventor: **Ian Lowrey**, Surry Hills (AU)  
(73) Assignee: **Wireman Pty Limited**, Milsons Point (AU)

D656,393 S \* 3/2012 Honda ..... D8/382  
D664,029 S \* 7/2012 Mathur ..... D8/394  
D899,896 S \* 10/2020 Palmer ..... D8/349  
D924,040 S \* 7/2021 Brown ..... D8/349  
D929,032 S \* 8/2021 Trzesniowski ..... D26/138  
D931,521 S \* 9/2021 Trzesniowski ..... D26/141  
D933,879 S \* 10/2021 Trzesniowski ..... D26/141

(Continued)

(\*\*) Term: **15 Years**  
(21) Appl. No.: **29/721,140**

CN 202072921 U \* 12/2011  
CN 305833245 \* 4/2019

FOREIGN PATENT DOCUMENTS

(22) Filed: **Jan. 17, 2020**  
(51) **LOC (13) Cl.** ..... **08-08**  
(52) **U.S. Cl.**  
USPC ..... **D8/394**  
(58) **Field of Classification Search**  
USPC ..... D8/349, 352-353, 368-369, 376-377,  
D8/380-382, 394  
CPC .... A61M 25/0009; A61M 27/00; A61M 1/84;  
E04H 17/12  
See application file for complete search history.

OTHER PUBLICATIONS

MTB Fence Post, AMazon website reviews 2018, site visited Jul. 22, 2022, <https://www.amazon.com/MTB-Sturdy-Duty-Fence-Post/dp/B06W57SPJQ>.\*

*Primary Examiner* — John R Yeh  
(74) *Attorney, Agent, or Firm* — Design IP

(57) **CLAIM**

The ornamental design for a tension board for fences, as shown and described.

(56) **References Cited**

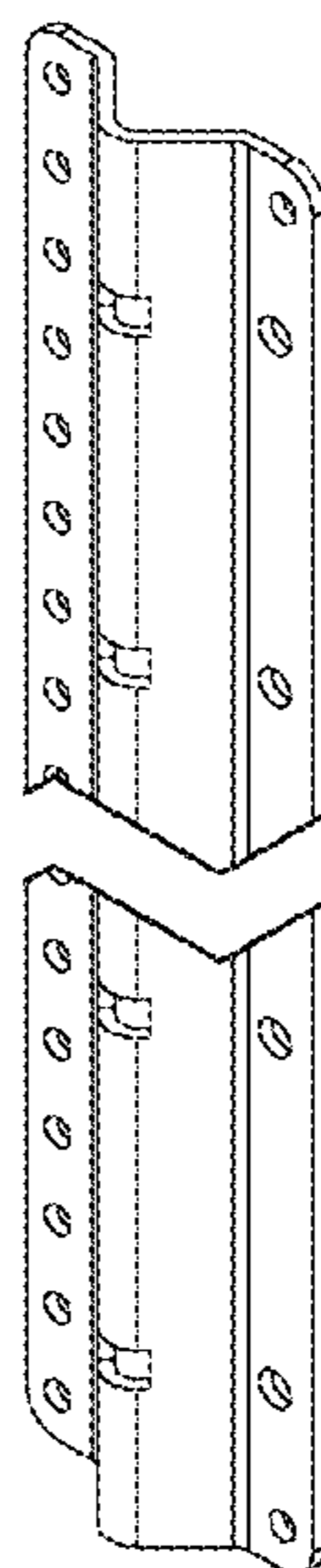
**DESCRIPTION**

U.S. PATENT DOCUMENTS

D250,875 S \* 1/1979 Lindblom ..... D8/356  
D314,329 S \* 2/1991 Kemp ..... D8/381  
D495,114 S \* 8/2004 Washington ..... D8/381  
D507,173 S \* 7/2005 Cairns ..... D8/376  
D522,350 S \* 6/2006 Taylor ..... D8/394  
D536,957 S \* 2/2007 Reiff ..... D8/394  
D537,325 S \* 2/2007 Wolff ..... D8/381  
D547,641 S \* 7/2007 Jueneman ..... D8/382  
D547,642 S \* 7/2007 Urmson, Jr. .... D8/382  
D558,040 S \* 12/2007 Skinner ..... D8/382  
D586,204 S \* 2/2009 Robbins, III ..... D8/380  
D586,206 S \* 2/2009 Robbins, III ..... D8/380  
D592,945 S \* 5/2009 Mahan ..... D8/381  
D610,439 S \* 2/2010 Wood ..... D8/381  
D632,163 S \* 2/2011 Hanna ..... D8/382  
D656,006 S \* 3/2012 Underkofler ..... D8/394

FIG. 1 is a front perspective view of a tension board for fences showing our new design;  
FIG. 2 is a front view thereof;  
FIG. 3 is a rear view thereof;  
FIG. 4 is a left side view thereof;  
FIG. 5 is a right side view thereof;  
FIG. 6 is a top view thereof; and,  
FIG. 7 is a bottom view thereof.  
The break lines that separate the parts of the tension board in FIGS. 1 through 5 and the area within the break lines represent indeterminate length and form no part of the claimed design.

**1 Claim, 6 Drawing Sheets**



(56)

**References Cited**

U.S. PATENT DOCUMENTS

2012/0256147 A1\* 10/2012 Sachs ..... E04H 17/12  
256/48

\* cited by examiner

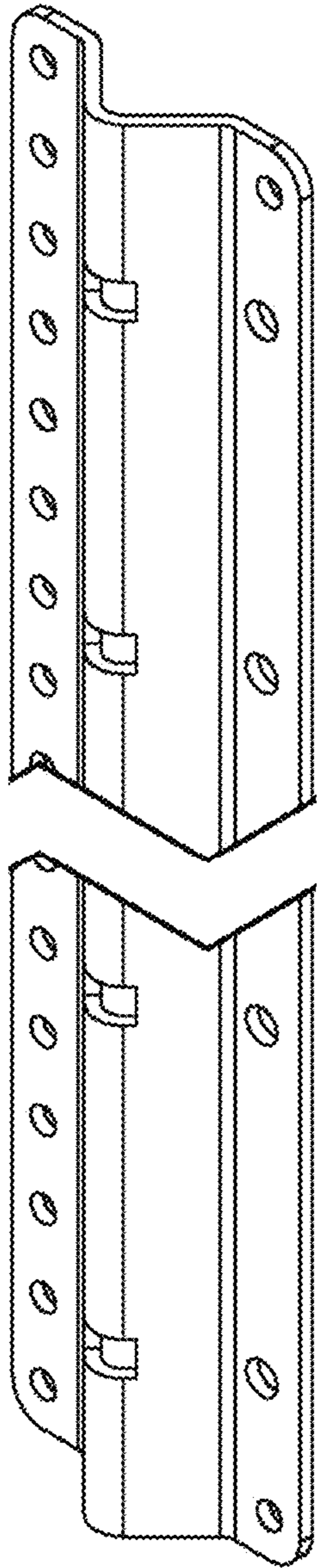


FIG. 1

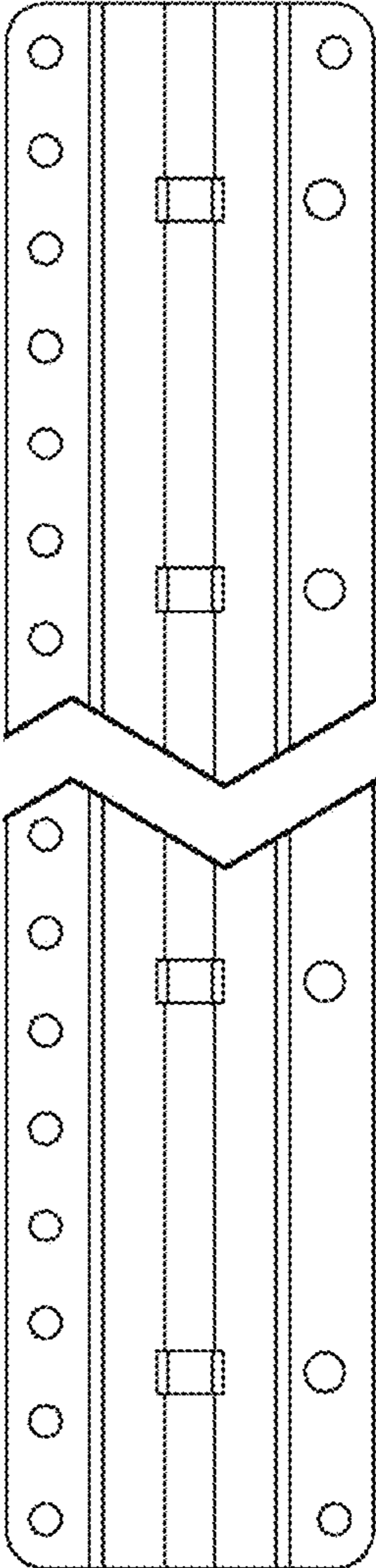


FIG. 2

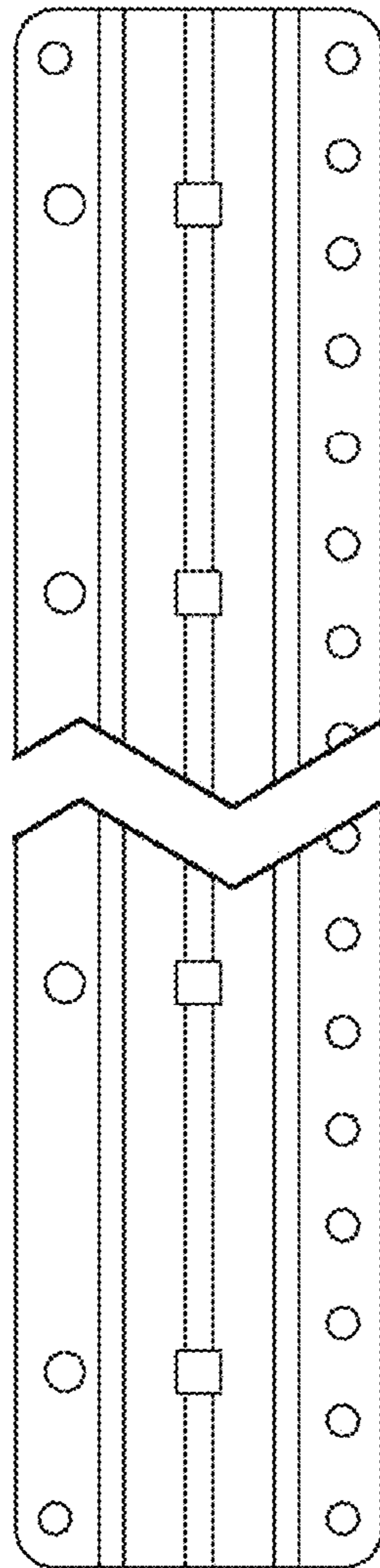


FIG. 3



FIG. 4



FIG. 5



FIG. 6



FIG. 7