



US00D972925S

(12) **United States Design Patent** (10) **Patent No.:** **US D972,925 S**
He (45) **Date of Patent:** **** Dec. 20, 2022**

(54) **MATTRESS FASTENER**
(71) Applicant: **Zaidao He**, Guangyuan (CN)
(72) Inventor: **Zaidao He**, Guangyuan (CN)
(**) Term: **15 Years**
(21) Appl. No.: **29/805,486**

D910,421 S * 2/2021 Gosling D8/354
D957,923 S * 7/2022 Lance D8/377
D959,959 S * 8/2022 Houston B65D 85/68
D8/354
D966,877 S * 10/2022 Kopitzke D8/380
2008/0155915 A1 * 7/2008 Howe H02G 3/00
174/40 R
2015/0223418 A1 * 8/2015 Collins A01G 9/024
47/62 R
2020/0407987 A1 * 12/2020 Vitale, Jr. E04G 17/12

(22) Filed: **Aug. 27, 2021**
(51) **LOC (13) Cl.** **08-08**
(52) **U.S. Cl.**
USPC **D8/382**
(58) **Field of Classification Search**
USPC D8/354, 373-374, 366, 382, 358, 363,
D8/380, 393, 375, 391, 70, 355-356,
D8/364-365, 376-379, 381, 383-388,
D8/394-396, 71, 349, 105, 61-62, 68;
D6/718, 702, 709-710, 716, 712;
D25/102, 199
CPC F16B 12/22; F16B 5/0028; F16B 12/40;
F16B 21/12; F16B 2200/10; F16B
5/0642; F16B 7/18; F16B 12/14
See application file for complete search history.

OTHER PUBLICATIONS

Comasach Non-Slio Gaskets for Bed Frame, Date Visited: Nov. 1, 2022, Amazon, Date Available: Feb. 22, 2021, <https://www.amazon.com/COMASACH-Gaskets-Mattress-Anti-Slip-Baffle/dp/B08X4G779G> (Year: 2021).*

(Continued)

Primary Examiner — Karen S Acker
Assistant Examiner — Elizabeth S Ko

(57) **CLAIM**

The ornamental design for a mattress fastener, as shown and described.

DESCRIPTION

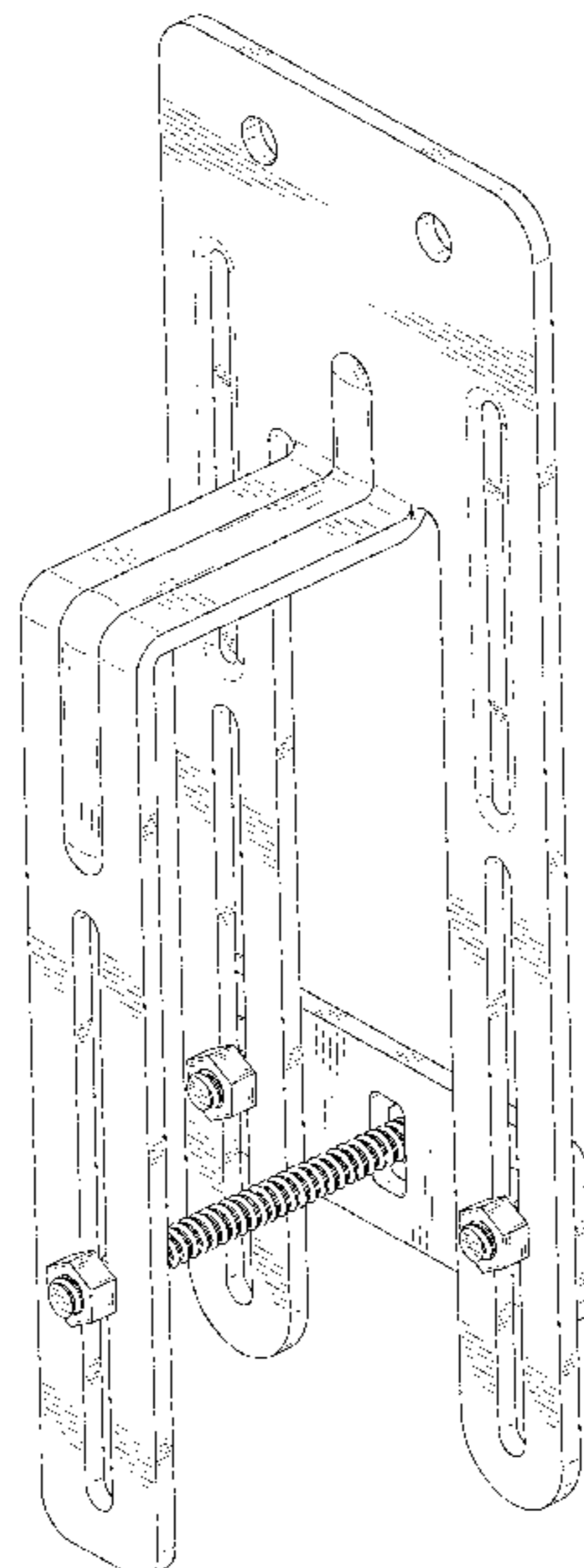
FIG. 1 is a perspective view of a mattress fastener showing my new design;
FIG. 2 is another perspective view thereof;
FIG. 3 is a front elevational view thereof;
FIG. 4 is a rear elevational view thereof;
FIG. 5 is a left side elevational view thereof;
FIG. 6 is a right side elevational view thereof;
FIG. 7 is a top plan view thereof;
FIG. 8 is a bottom plan view thereof; and,
FIG. 9 is an exploded perspective view of the mattress fastener.

1 Claim, 9 Drawing Sheets

(56) **References Cited**

U.S. PATENT DOCUMENTS

4,549,381 A * 10/1985 Holtz E04B 5/29
52/745.19
D491,050 S * 6/2004 Sprinkle D8/373
D526,887 S * 8/2006 Remmers D8/380
D595,116 S * 6/2009 Sipe D8/354
D663,612 S 7/2012 Pelc
D818,349 S * 5/2018 White D8/354
D830,153 S * 10/2018 Sadofsky D8/354
D875,513 S 2/2020 Fisher
D884,461 S * 5/2020 Allen D8/349
D888,851 S * 6/2020 Dunahay D8/354
D891,231 S * 7/2020 Gilner D8/354
D892,599 S * 8/2020 Witherbee D8/354



(56)

References Cited

OTHER PUBLICATIONS

Bed Mattress Anti-Slip Baffle, Date Visited: Nov. 1, 2022, Amazon, Date Available: Sep. 11, 2021, <https://www.amazon.com/Mattress-Anti-Slip-Anti-Shedding-Retainer-Sliding/dp/B09FZLDWBQ> (Year: 2021).*

Obking Mattress Retainer Bar, Date Visited: Nov. 1, 2022, Amazon, Date Available: Mar. 11, 2022, <https://www.amazon.com/OBKING-Mattress-Retainer-Bar-Gaskets-Mattress/dp/B09VC67NB7> (Year: 2022).*

Non Slip Mattress Gripper, Date Visited: Nov. 1, 2022, Amazon, Date Available: Mar. 31, 2022, <https://www.amazon.com/Mattress-Gripper-Stopper-Retainer-Adjustable/dp/B09WY5L9FX> (Year: 2022).*

* cited by examiner

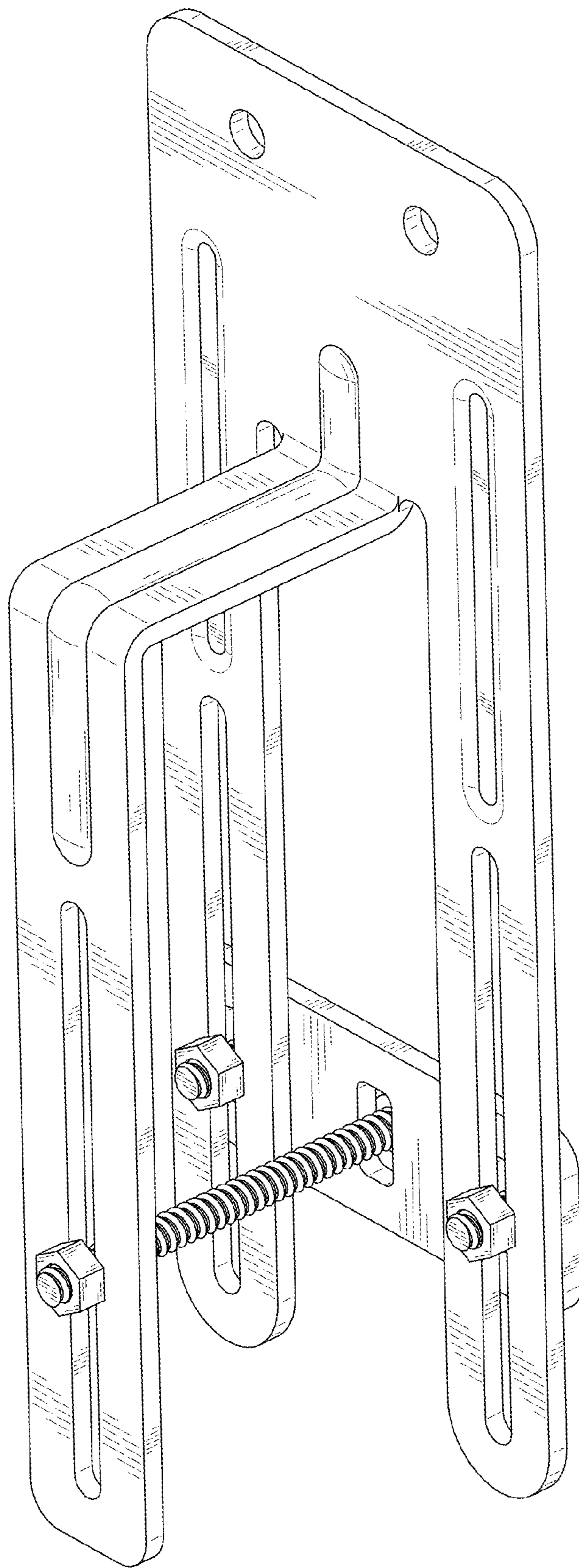


FIG. 1

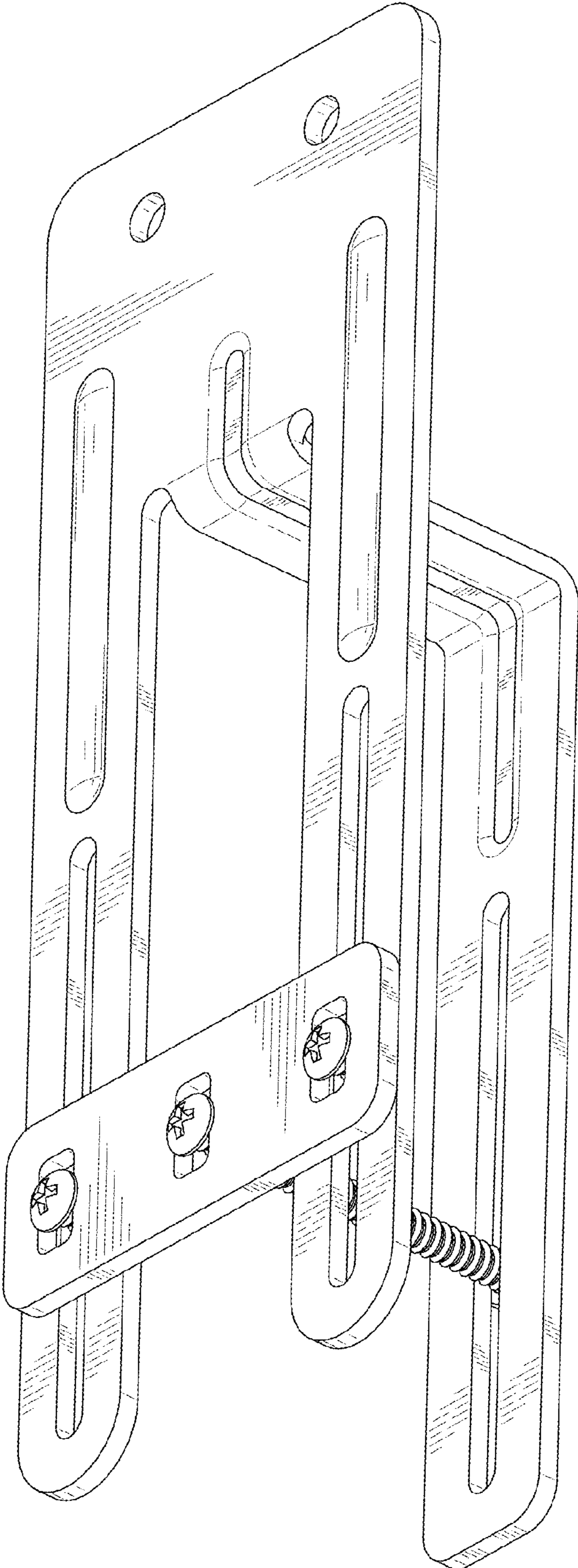


FIG. 2

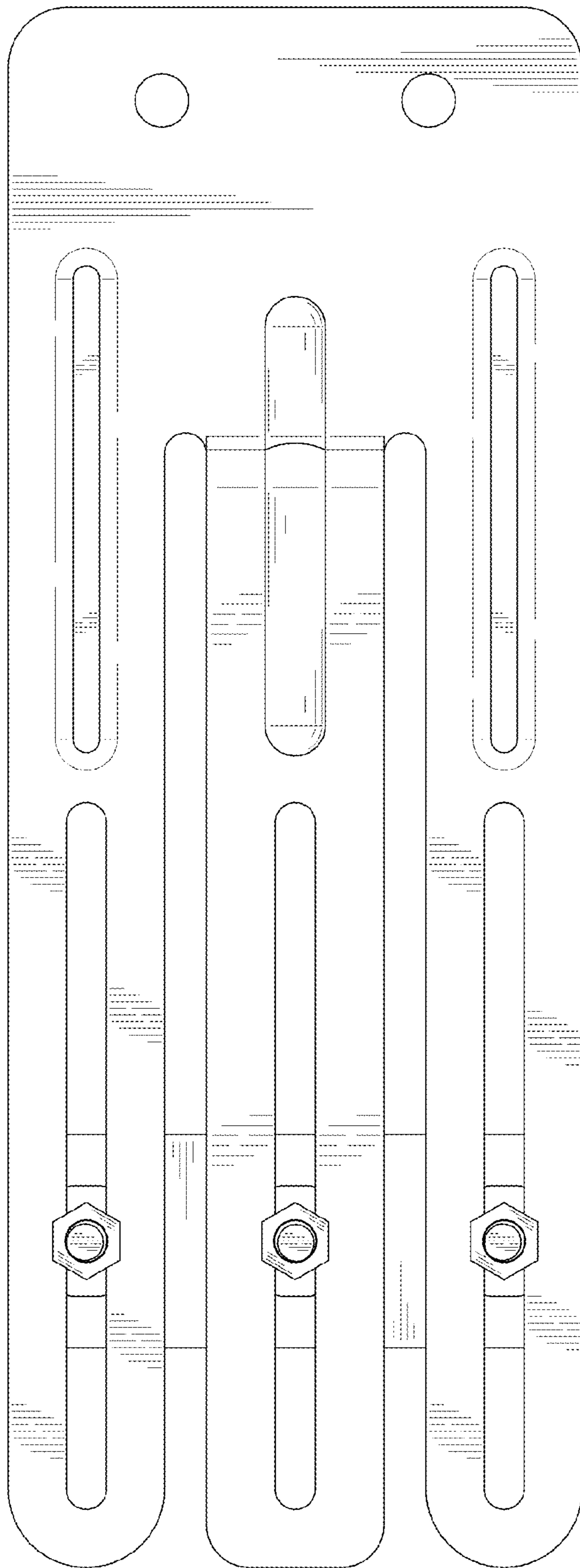


FIG. 3

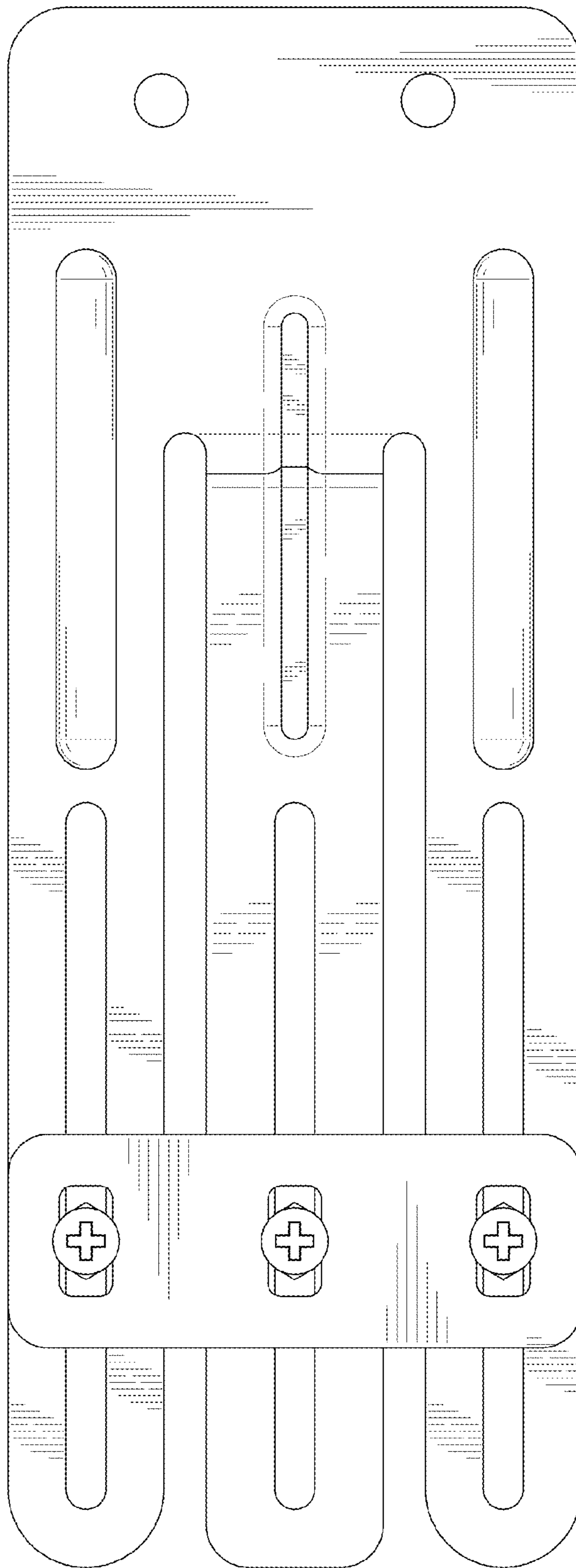


FIG. 4

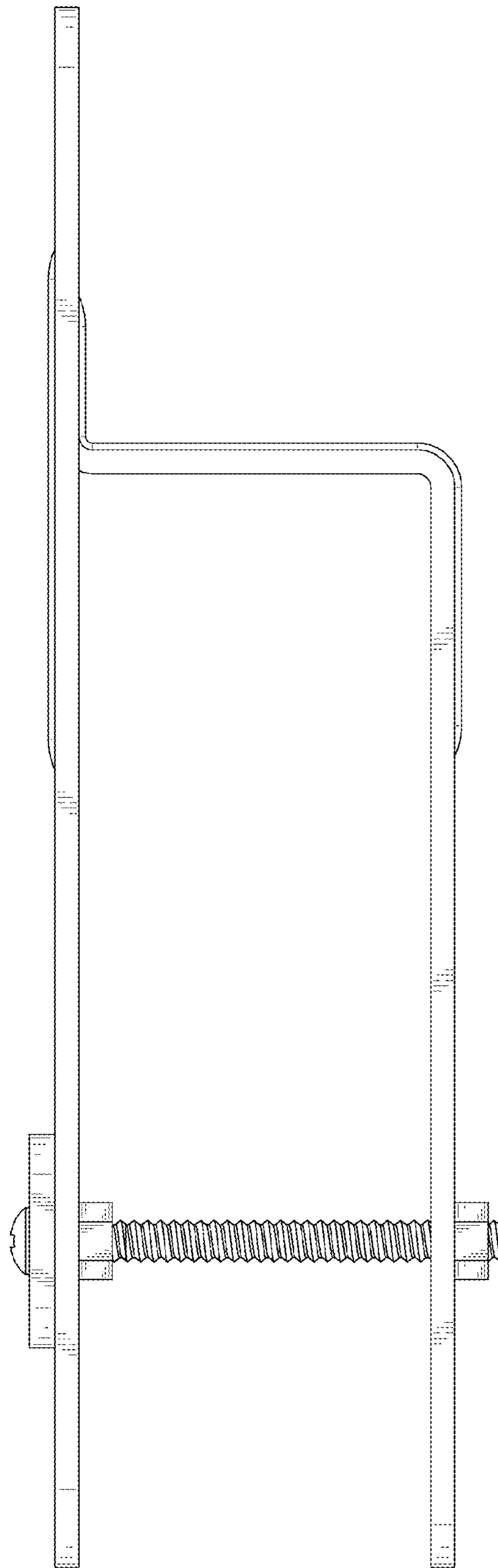


FIG. 5

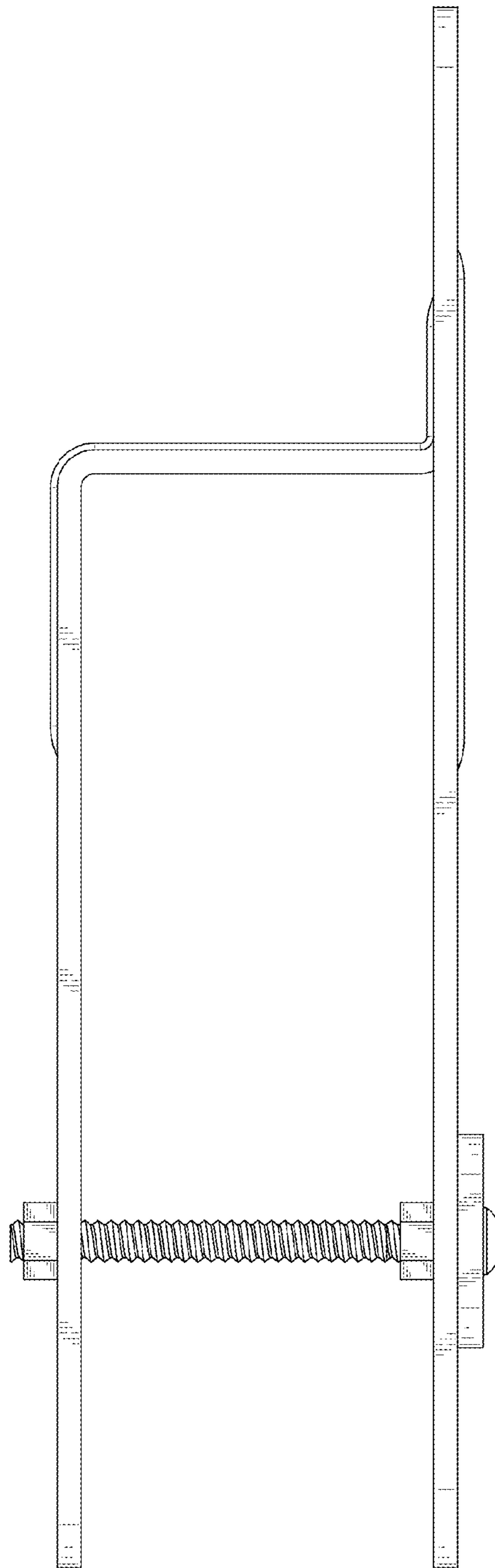


FIG. 6

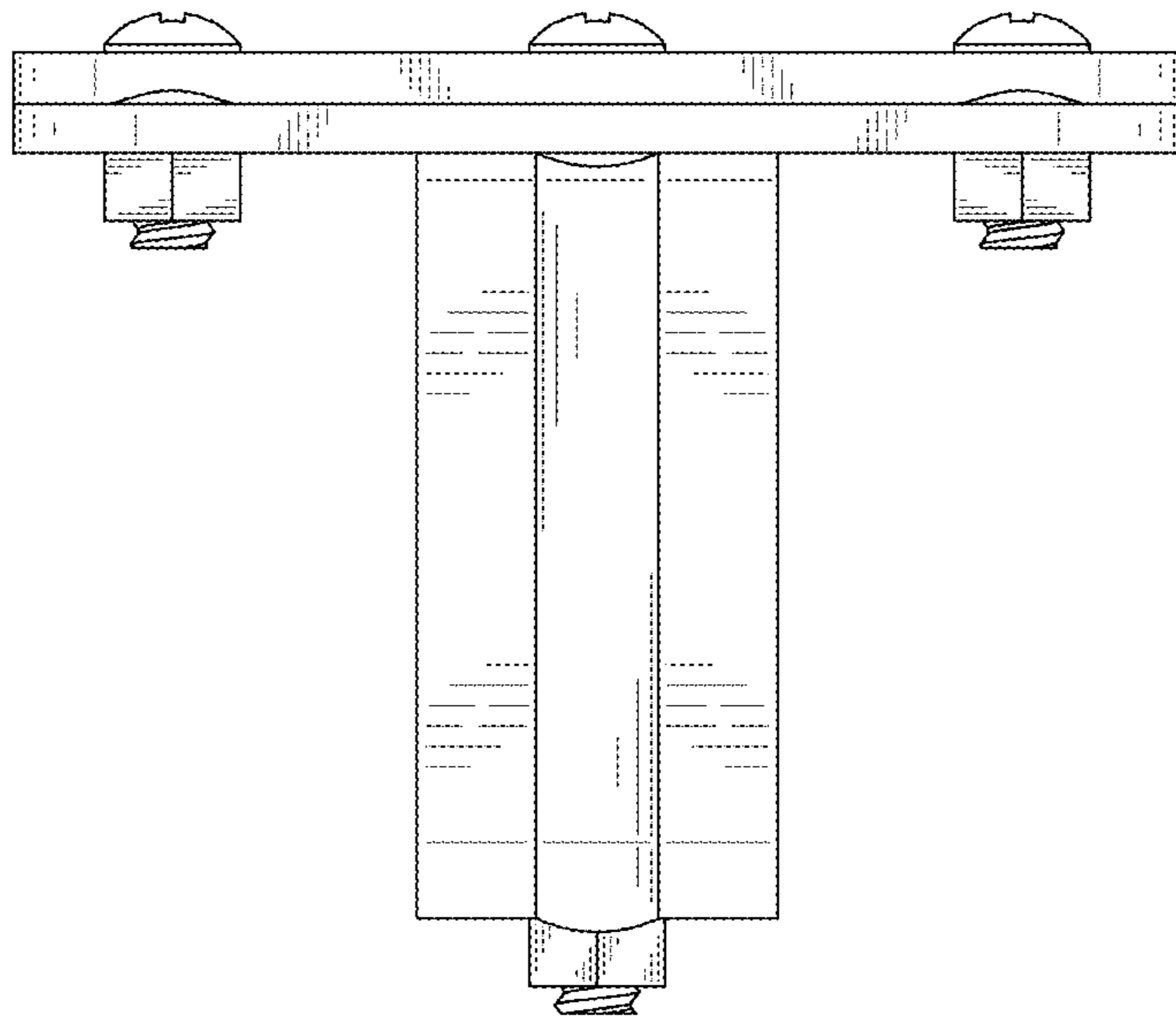


FIG. 7

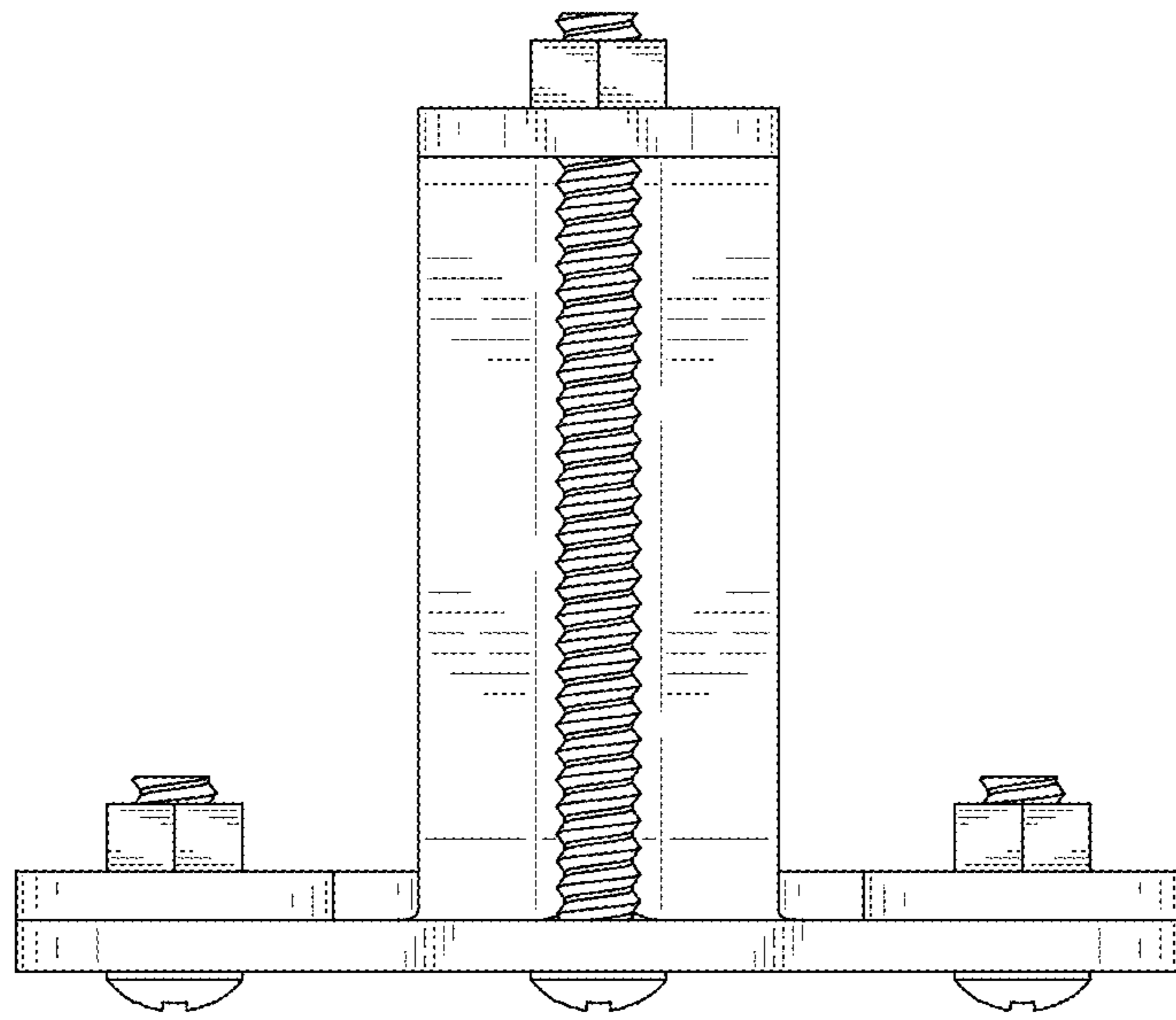


FIG. 8

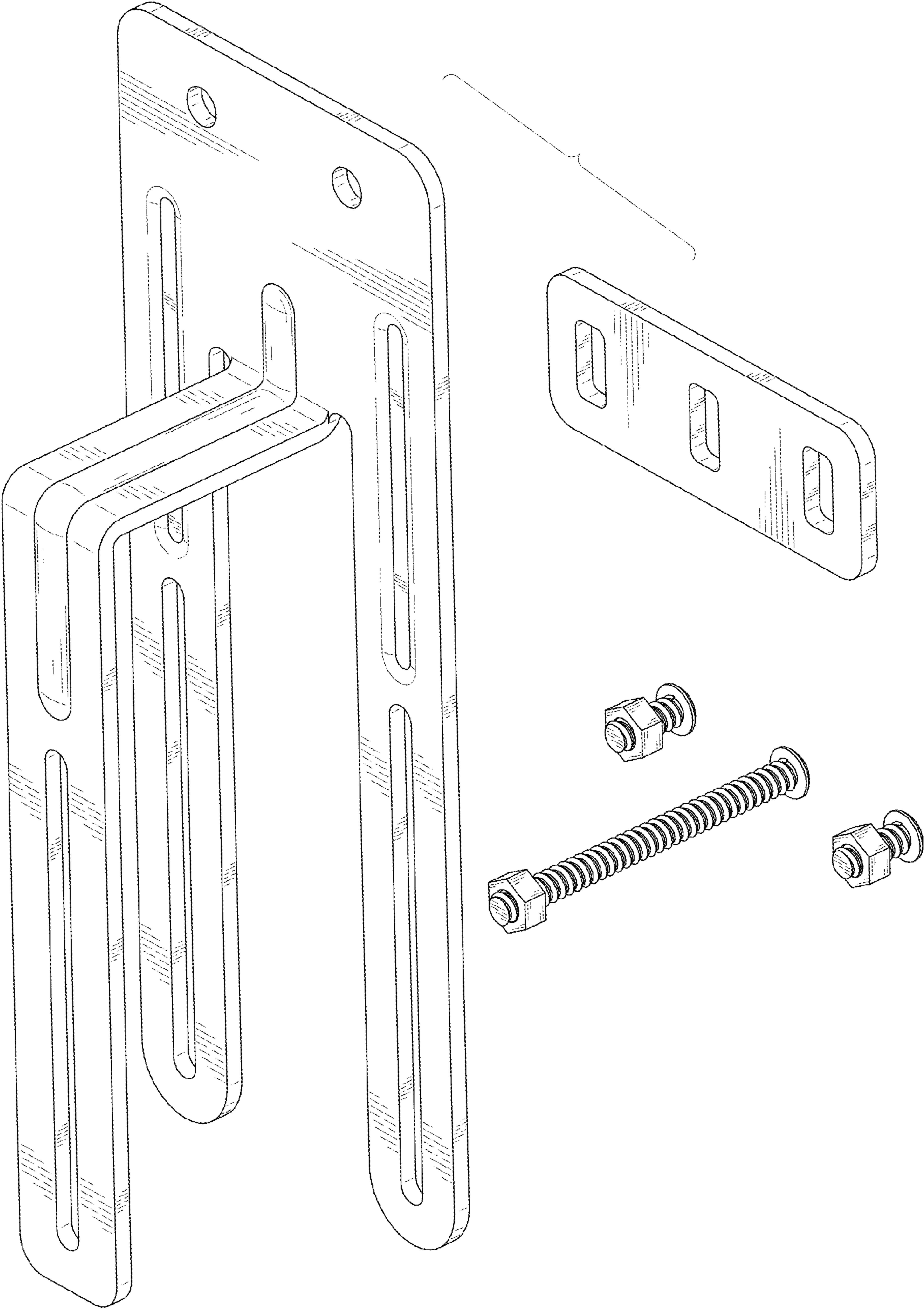


FIG. 9