



US00D972924S

(12) **United States Design Patent**  
**Zhang**

(10) **Patent No.:** **US D972,924 S**

(45) **Date of Patent:** **\*\* Dec. 20, 2022**

(54) **HOOK**

(71) Applicant: **Yongkang Zhang**, Guangzhou (CN)

(72) Inventor: **Yongkang Zhang**, Guangzhou (CN)

(\*\*) Term: **15 Years**

(21) Appl. No.: **29/845,910**

(22) Filed: **Jul. 12, 2022**

(51) **LOC (13) Cl.** ..... **08-03**

(52) **U.S. Cl.**  
USPC ..... **D8/372**

(58) **Field of Classification Search**  
USPC ..... D8/373, 358, 359, 354, 370, 71, 330,  
D8/336, 351, 356, 360.1, 363, 364, 367,  
D8/372, 379, 381, 382, 395, 396;  
D6/349, 352

See application file for complete search history.

(56) **References Cited**

**U.S. PATENT DOCUMENTS**

D371,594 S	*	7/1996	Drapak	.....	D22/144
D465,661 S	*	11/2002	Hoernig	.....	D8/372
D493,094 S	*	7/2004	Goodman	.....	D8/372
D550,544 S	*	9/2007	Snell	.....	D8/367
D607,311 S	*	1/2010	Snider	.....	D8/367
D616,060 S	*	5/2010	Patrick	.....	D22/144
D628,053 S	*	11/2010	Goodman	.....	D8/372
D636,457 S	*	4/2011	Hatfield	.....	D22/144

D698,413 S	1/2014	Bennis	
D707,538 S	6/2014	Goodman et al.	
D708,508 S	7/2014	Goodman et al.	
D721,570 S	1/2015	Caughron et al.	
D760,068 S	6/2016	Sehl	
D776,233 S	1/2017	Donnelly	
D820,381 S	*	6/2018	Davidson ..... D22/144
D895,056 S	9/2020	Schwegerl	
D909,189 S	2/2021	Mueller	

\* cited by examiner

*Primary Examiner* — Khawaja Anwar

(74) *Attorney, Agent, or Firm* — Xiaofang Zhong

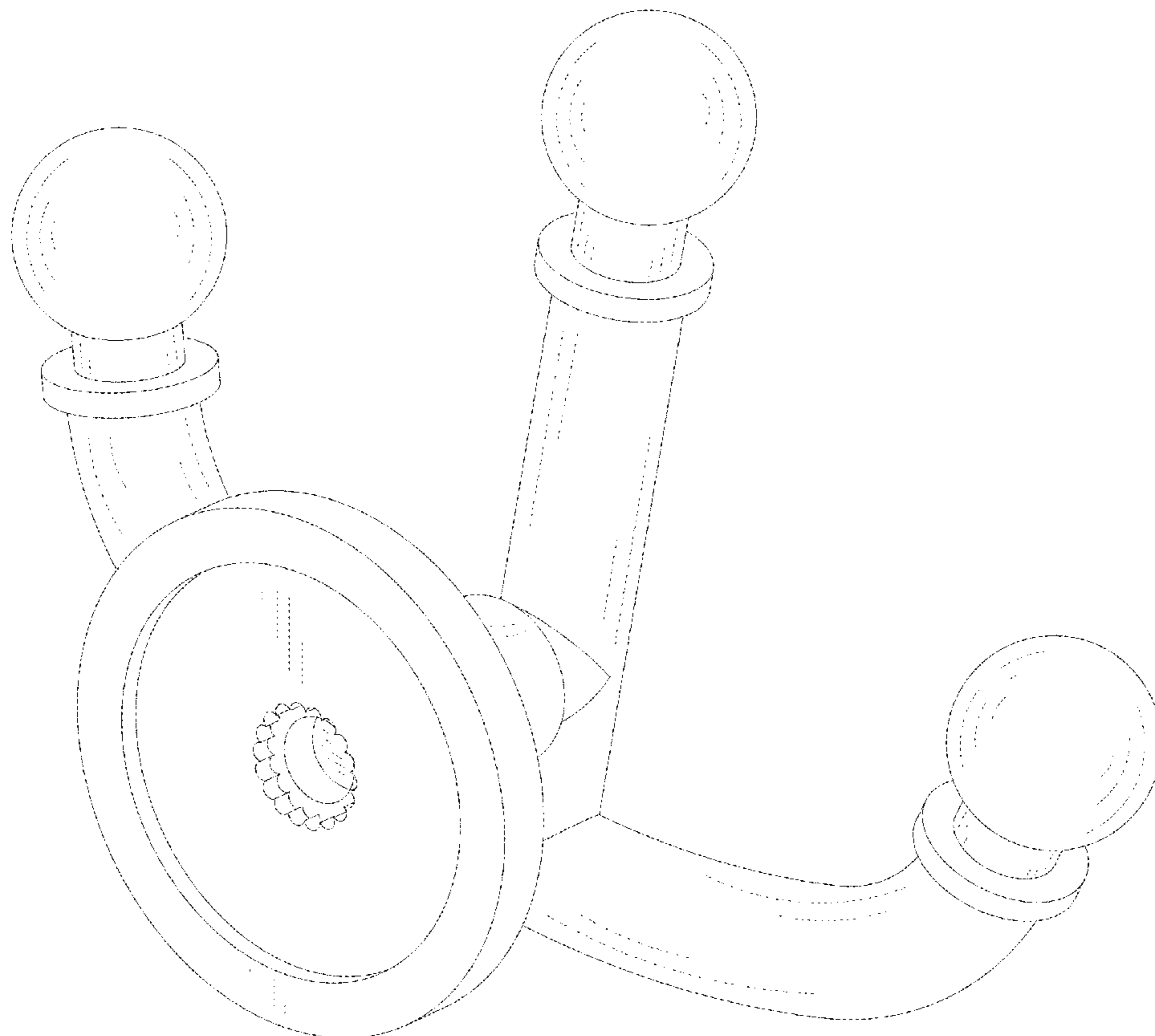
(57) **CLAIM**

The ornamental design for a hook, as shown and described.

**DESCRIPTION**

FIG. 1 is a perspective view of a hook showing my new design;  
 FIG. 2 is a front elevational view thereof;  
 FIG. 3 is a rear elevational view thereof;  
 FIG. 4 is a left view thereof;  
 FIG. 5 is a right view thereof;  
 FIG. 6 is a top plan view thereof; and,  
 FIG. 7 is a bottom plan view thereof.  
 The broken lines illustrate portions of the hook that form no part of the claimed design.

**1 Claim, 7 Drawing Sheets**



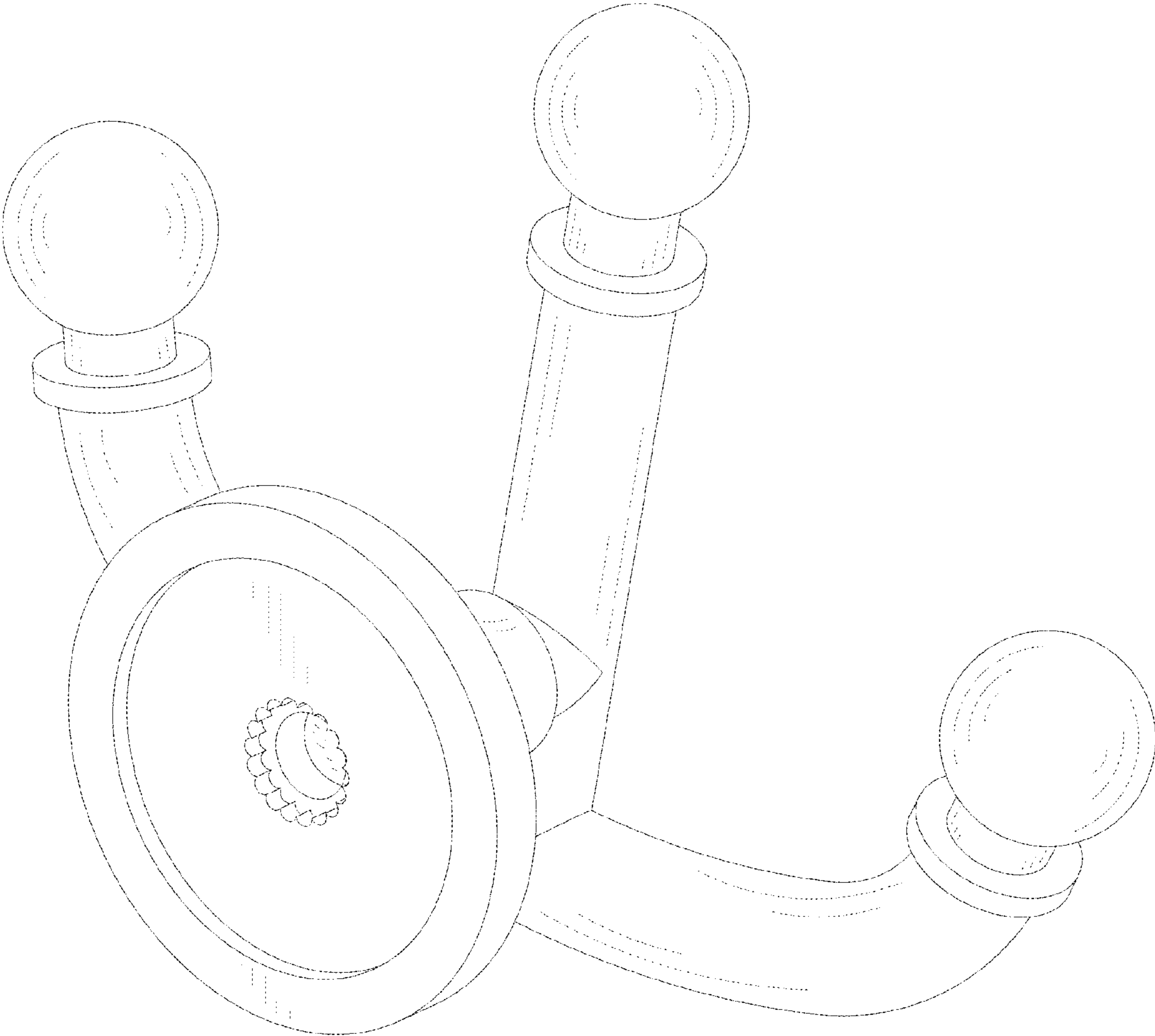


FIG.1

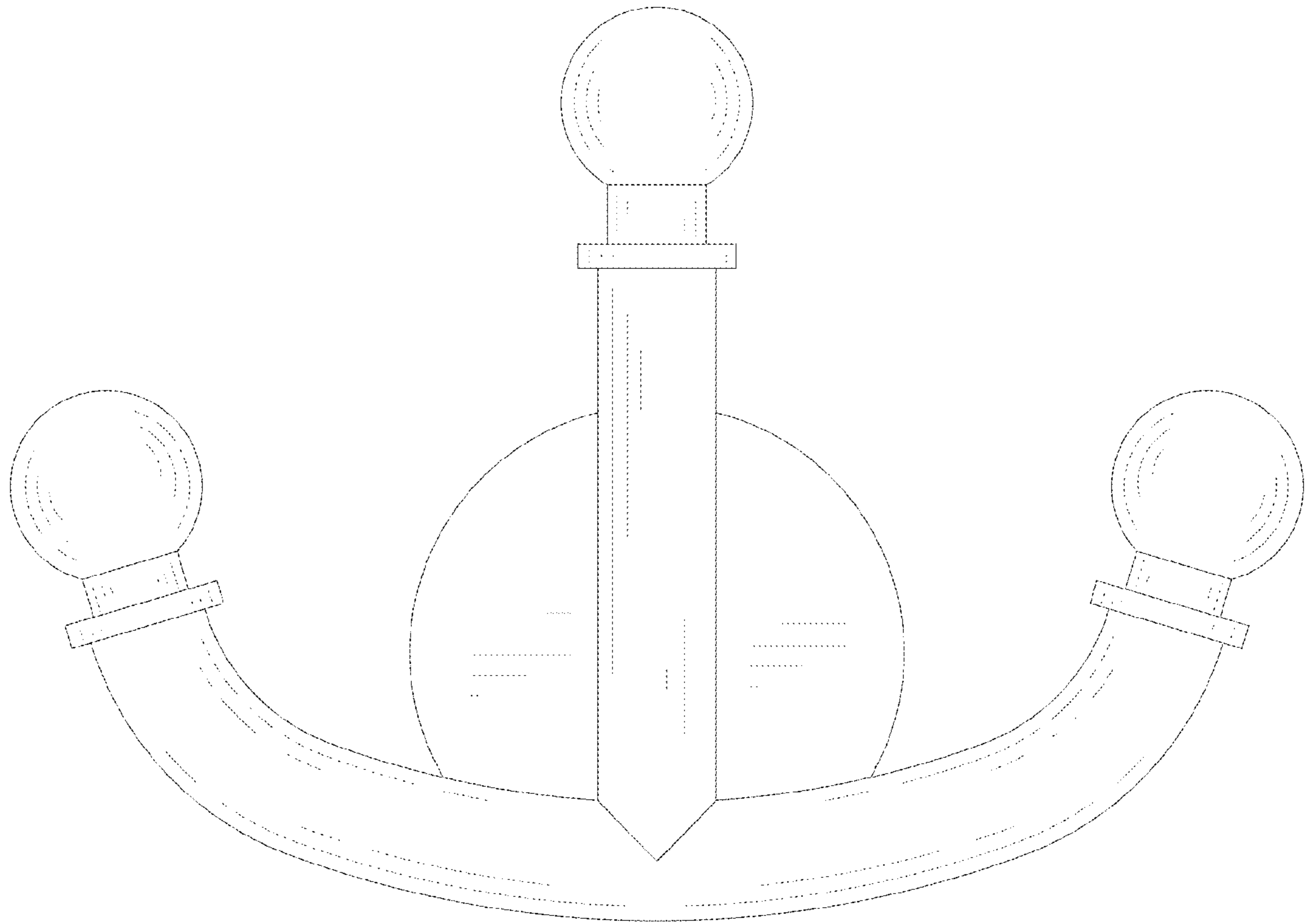


FIG. 2

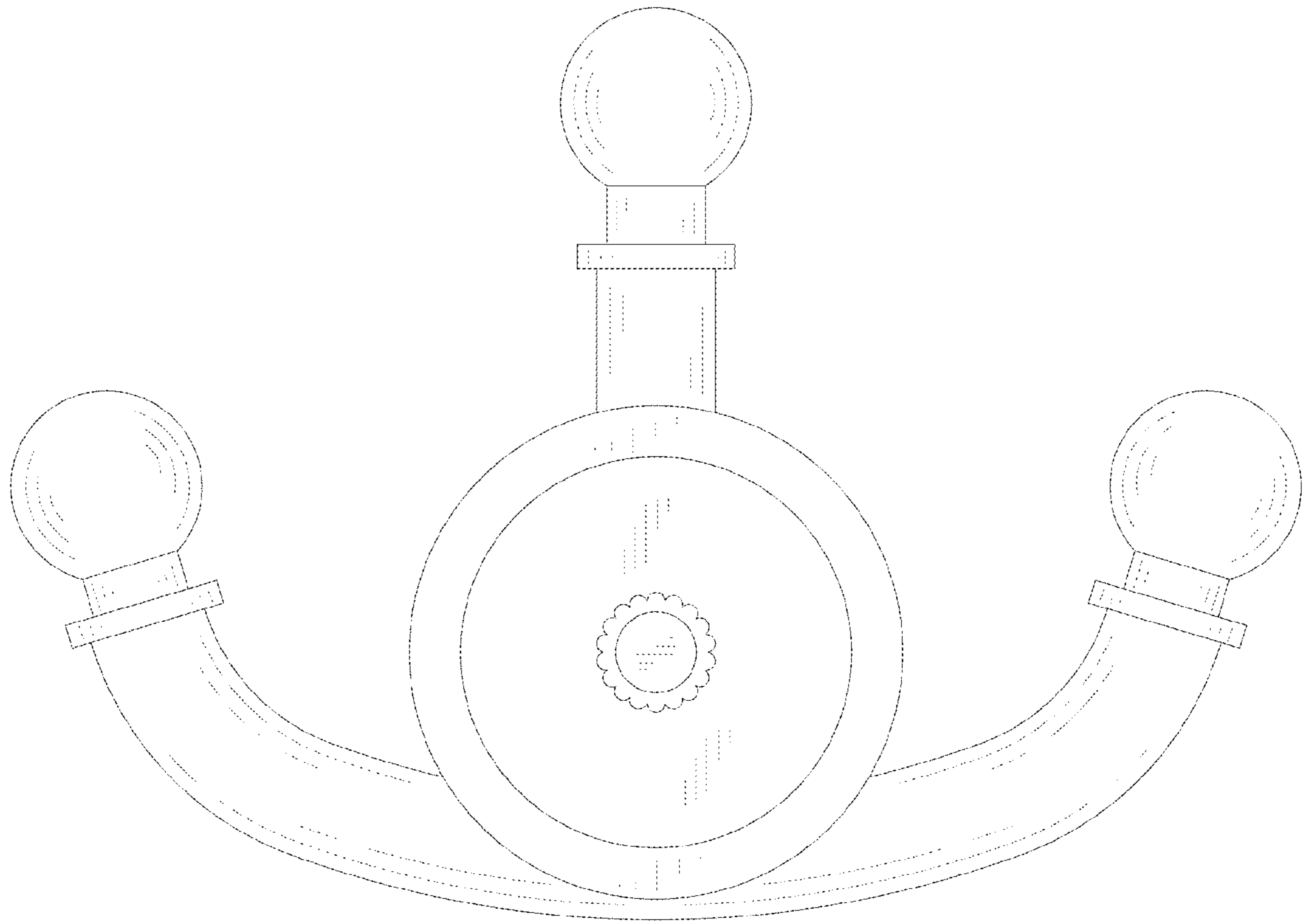


FIG. 3

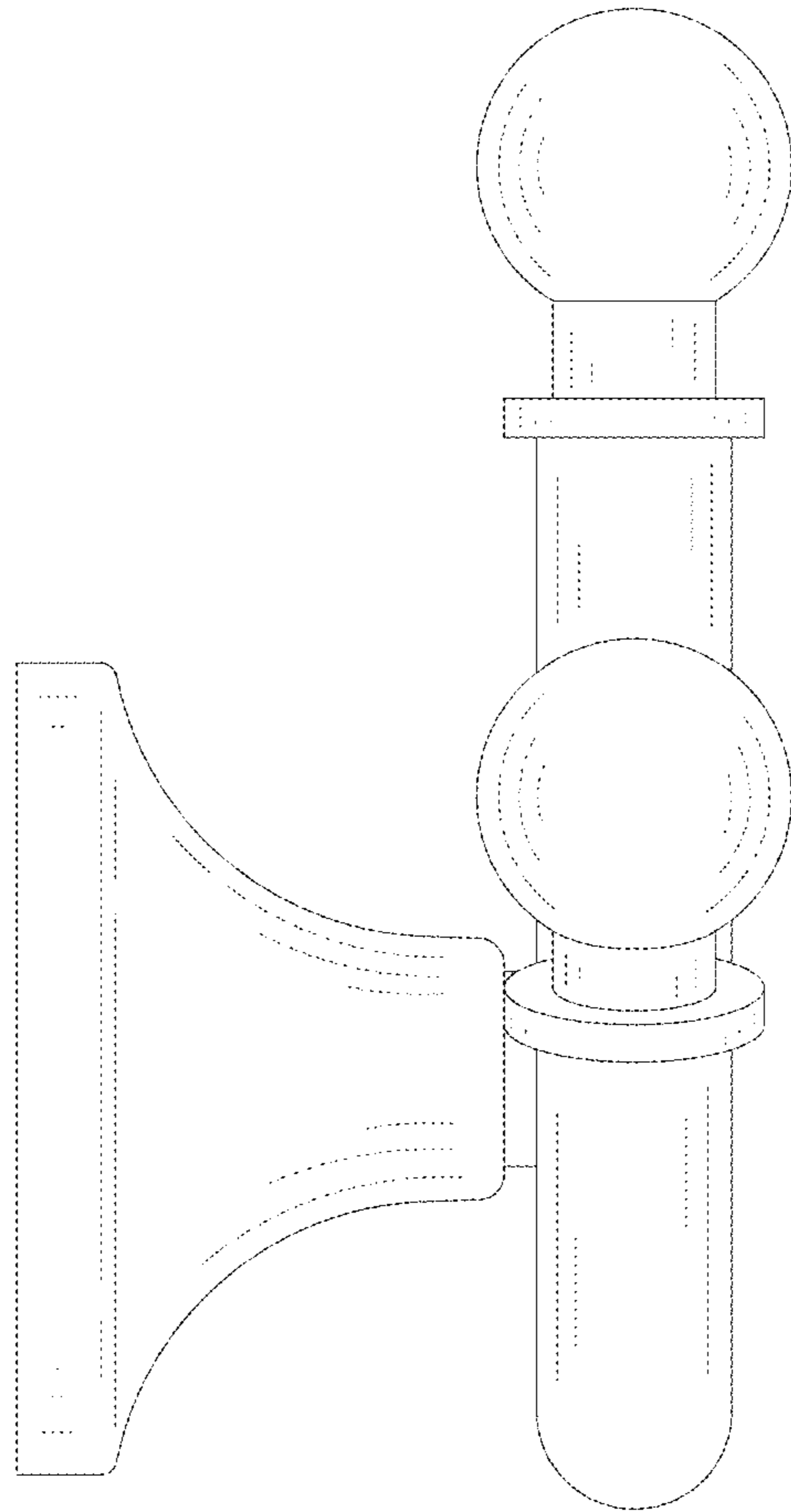


FIG. 4

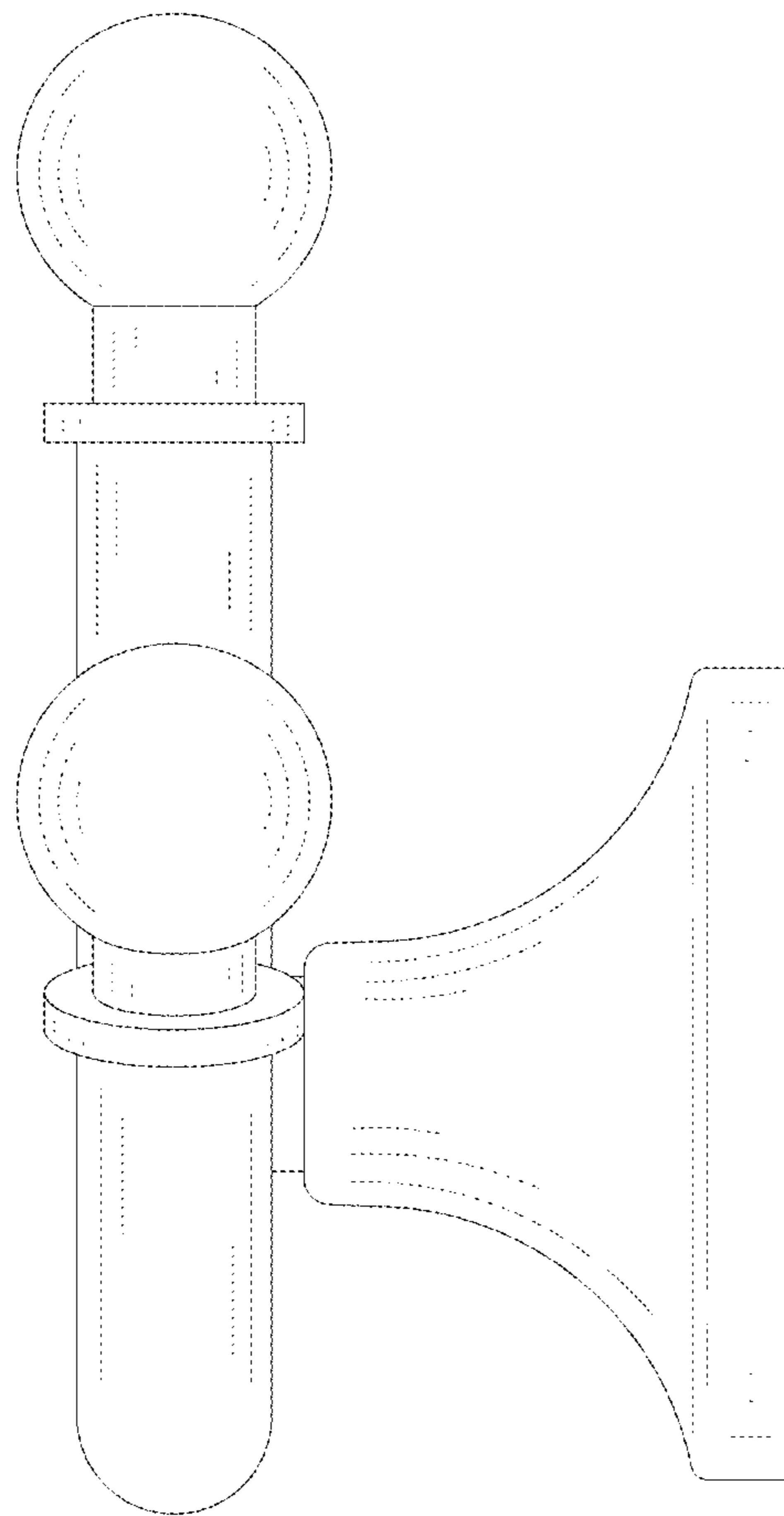


FIG. 5

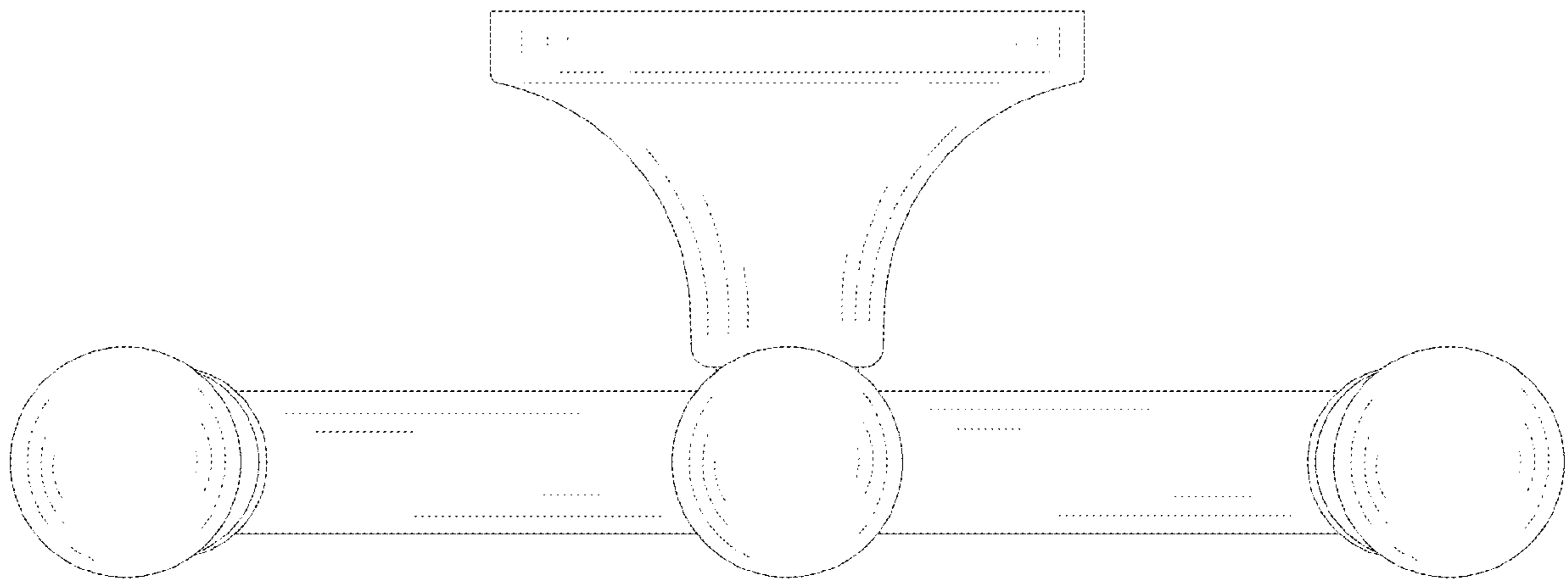


FIG.6

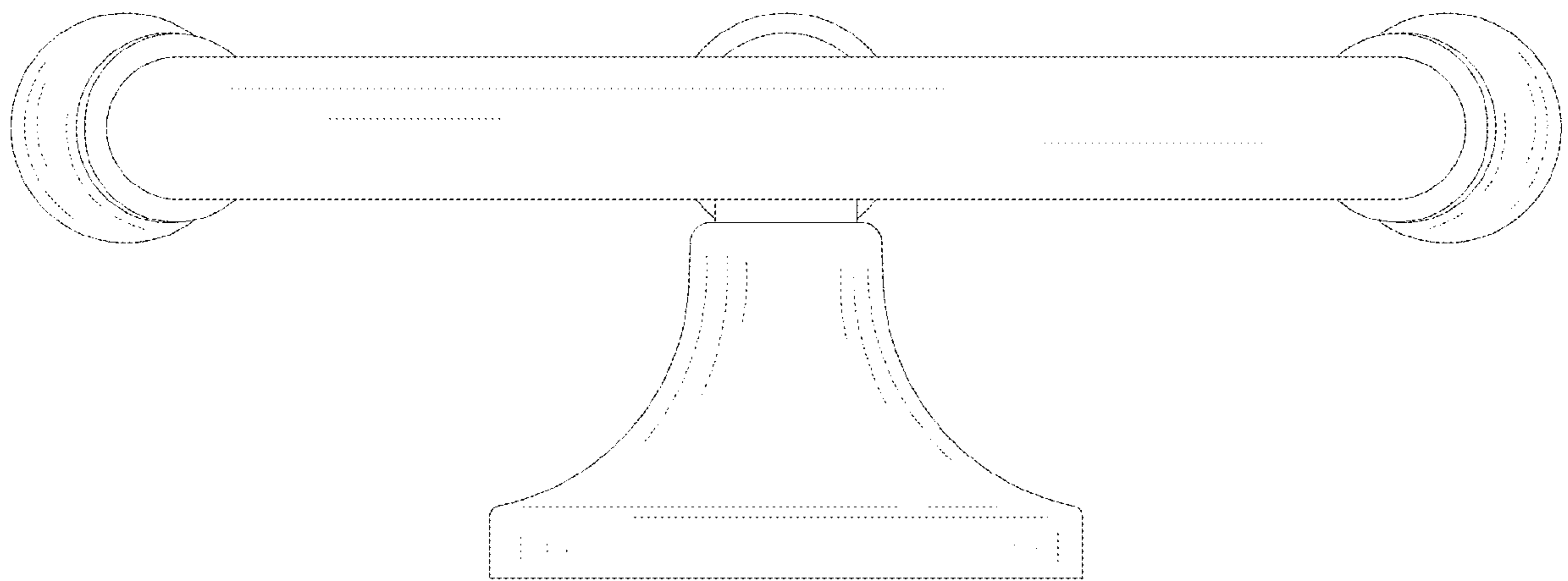


FIG. 7