



US00D972923S

(12) **United States Design Patent** (10) **Patent No.:** **US D972,923 S**
He (45) **Date of Patent:** **** Dec. 20, 2022**

(54) **STICKY HOOK**
(71) Applicant: **Yisheng He**, Guangzhou (CN)
(72) Inventor: **Yisheng He**, Guangzhou (CN)
(**) Term: **15 Years**
(21) Appl. No.: **29/811,802**
(22) Filed: **Oct. 17, 2021**
(51) **LOC (13) Cl.** **08-11**
(52) **U.S. Cl.**
USPC **D8/367**
(58) **Field of Classification Search**
USPC D3/318, 5-6, 10, 12, 16; D6/323,
D6/315-317, 320, 349, 575, 580, 512,
D6/524, 546, 549, 613; D8/14-16,
D8/19-20, 72-74, 300, 303, 306-308,
D8/313, 315, 321, 317, 349-350,
D8/354-356, 358-359, 363, 373-378,
D8/367-370, 382-383, 386-387, 393, 61,
D8/88-89
CPC A47F 5/0006; A47F 5/00; F16B 45/00;
F16B 45/02
See application file for complete search history.

D496,849 S * 10/2004 Abdi D8/367
D531,487 S 11/2006 Dretzka
D544,260 S * 6/2007 Nawrocki D8/373
D545,669 S * 7/2007 Hall D8/367
D558,567 S * 1/2008 Ismert D8/373
D577,575 S * 9/2008 Ernst D8/373
D577,576 S * 9/2008 Ernst D8/373
D577,989 S * 10/2008 Ernst D8/373
D587,104 S * 2/2009 McCammon D8/372
(Continued)

OTHER PUBLICATIONS

Wall Hooks, Date Visited: Sep. 19, 2022, Amazon, Date Available:
Feb. 5, 2022, <https://www.amazon.com/Hanger-Thickened-Screws-Installation-Falling/dp/B09QJM61FF> (Year: 2022).
(Continued)

Primary Examiner — Karen S Acker
Assistant Examiner — Elizabeth S Ko
(74) *Attorney, Agent, or Firm* — Xiaofang Zhong

(57) **CLAIM**

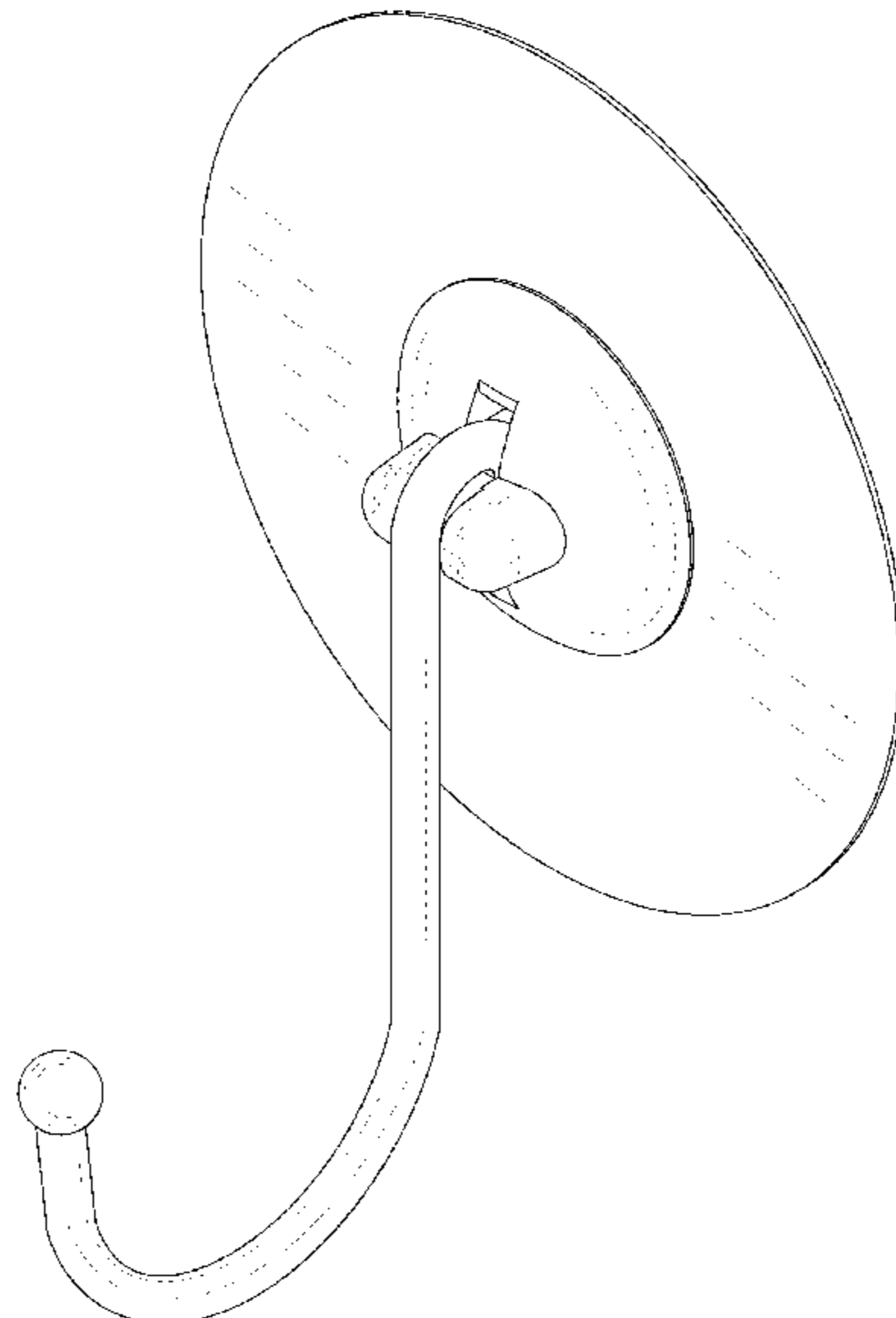
The ornamental design for a sticky hook, as shown and described.

DESCRIPTION

FIG. 1 is a perspective view of a sticky hook showing my new design;
FIG. 2 is another perspective view of the sticky hook with the hook in a different position thereof;
FIG. 3 is another perspective view of the sticky hook with the hook in a folded position thereof;
FIG. 4 is a front elevational view thereof;
FIG. 5 is a rear elevational view thereof;
FIG. 6 is a left view thereof;
FIG. 7 is a right view thereof;
FIG. 8 is a top plan view thereof; and,
FIG. 9 is a bottom plan view thereof.

1 Claim, 9 Drawing Sheets

(56) **References Cited**
U.S. PATENT DOCUMENTS
D356,941 S 4/1995 Reddick et al.
D429,899 S * 8/2000 Schwartz D6/513
D431,451 S * 10/2000 Kuo D8/367
D441,584 S * 5/2001 Ho D6/580
D457,808 S * 5/2002 Williams D8/367
D462,844 S * 9/2002 Chou D6/323
D462,892 S * 9/2002 Snyder D8/373
6,484,888 B2 * 11/2002 Miller B62H 3/12
211/5
D472,795 S * 4/2003 Saxby D8/367
D480,625 S 10/2003 Snell
D481,618 S * 11/2003 Felsenthal D8/373
D482,952 S * 12/2003 Steinman D8/367



(56)

References Cited

U.S. PATENT DOCUMENTS

D591,142 S	*	4/2009	Cittadino	D8/367
D600,099 S	*	9/2009	Dahlin	D8/367
D610,851 S	*	3/2010	Trub	D6/567
D623,046 S	*	9/2010	Murphy	D8/367
D659,519 S		5/2012	Berkowitz	
D761,093 S		7/2016	Liu et al.	
D864,700 S		10/2019	Chen	
D867,771 S		11/2019	Zhong	
D880,990 S		4/2020	Liu	
D918,698 S		5/2021	Man	

OTHER PUBLICATIONS

Songbird Wall Hook, Date Visited: Sep. 19, 2022, Amazon, Date Available: Apr. 11, 2016, <https://www.amazon.com/Decorative-Mounted-Hanging-Farmhouse-Brownish/dp/B01E4HHC1Y> (Year: 2016).*

Self Adhesive Hooks, Date Visited: Sep. 23, 2022, Amazon, Date Available: Oct. 14, 2021, www.amazon.co.uk/Self-Adhesive-Rotating-Adhesive-Drilling-Bathroom/dp/B09GY8V7Q5 (Year: 2021).*

* cited by examiner

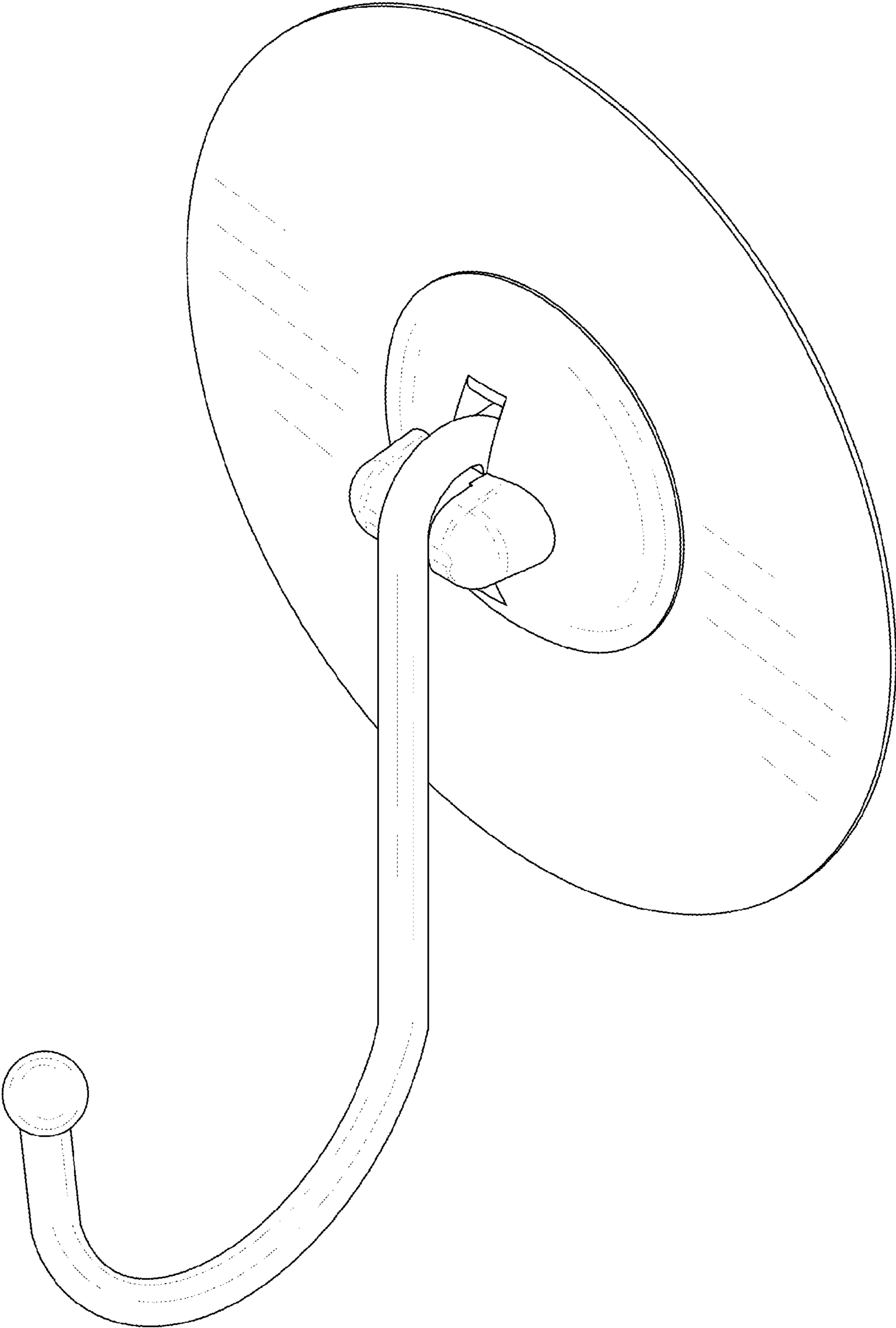


FIG. 1

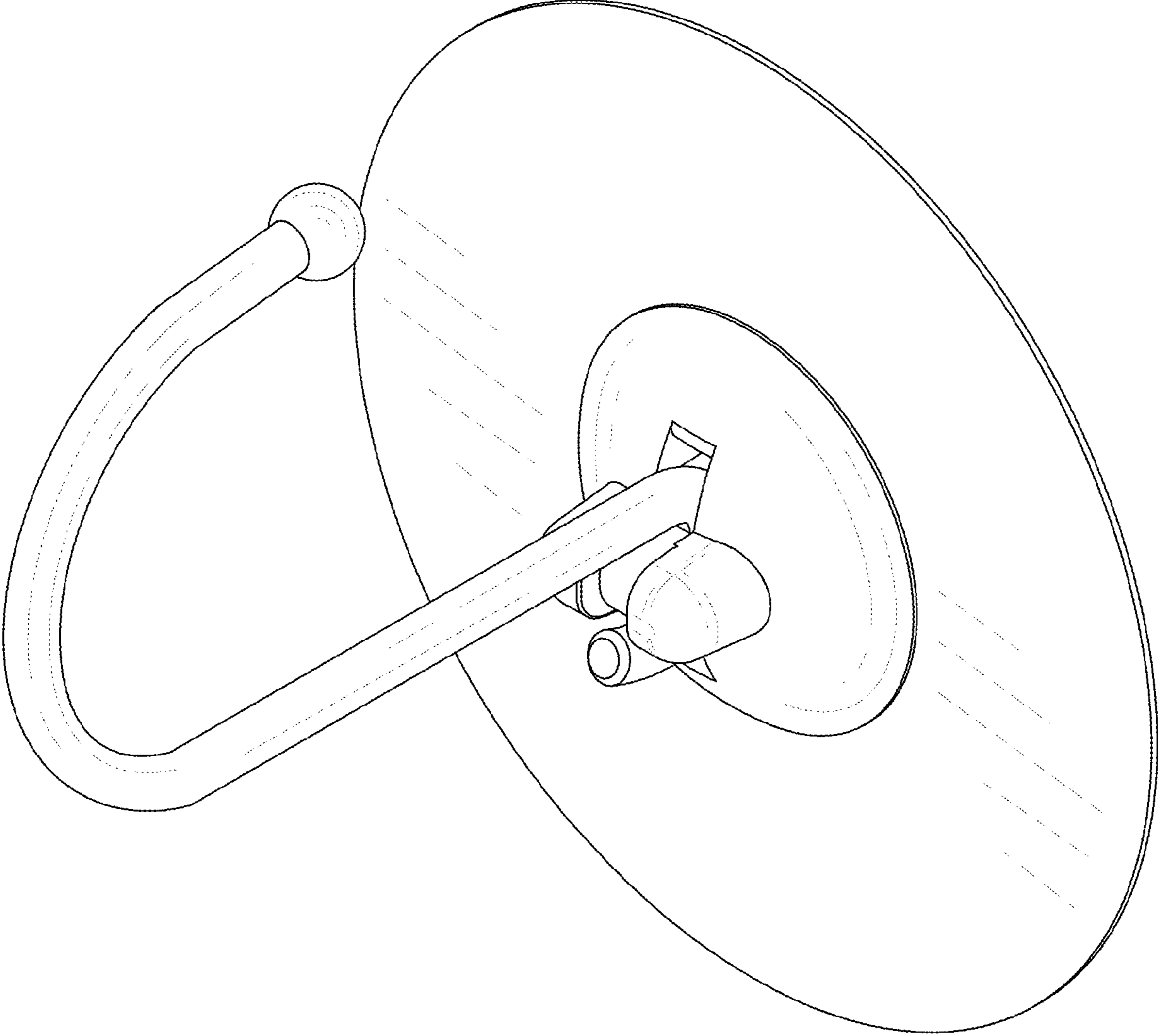


FIG.2

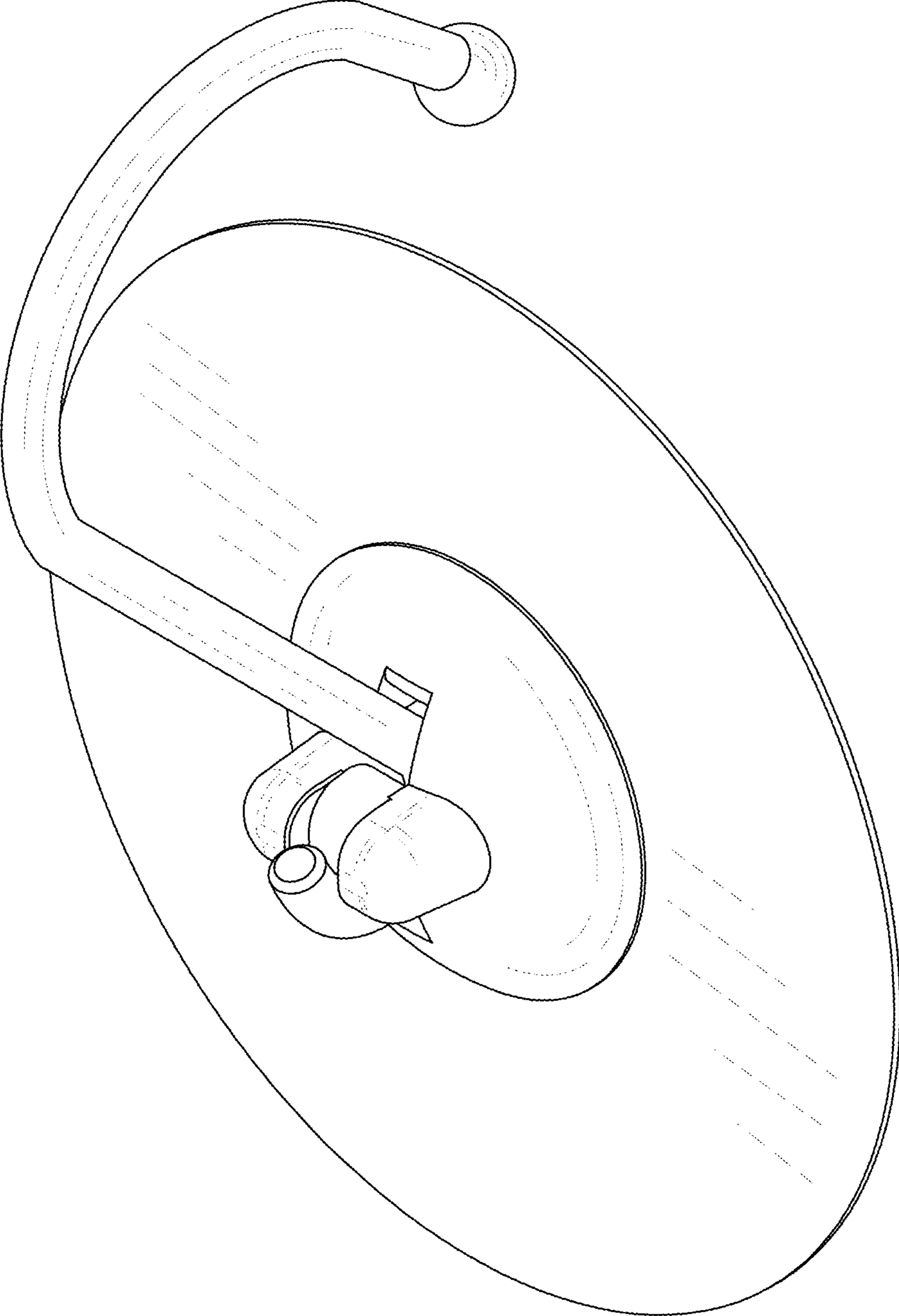


FIG. 3

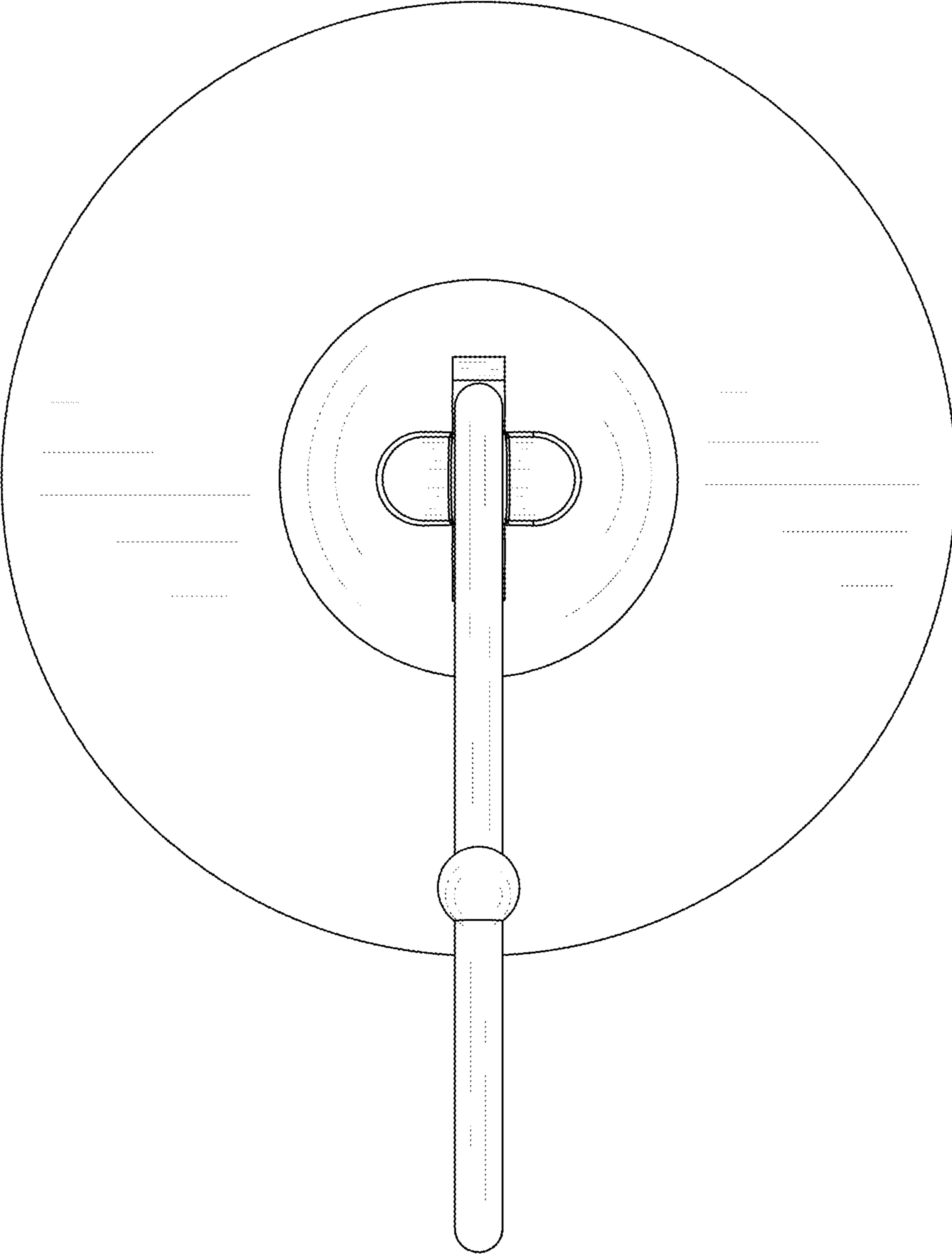


FIG. 4

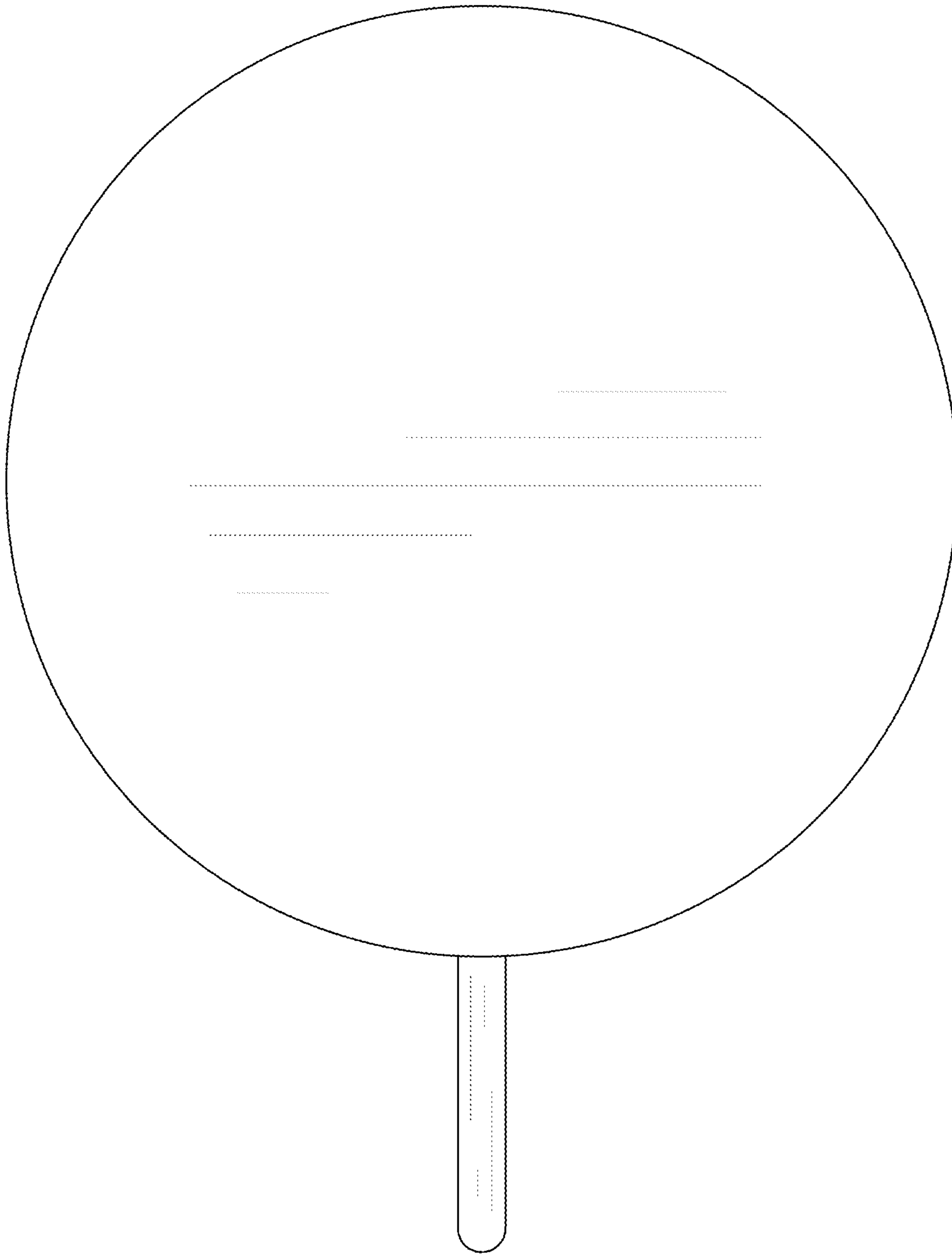


FIG. 5

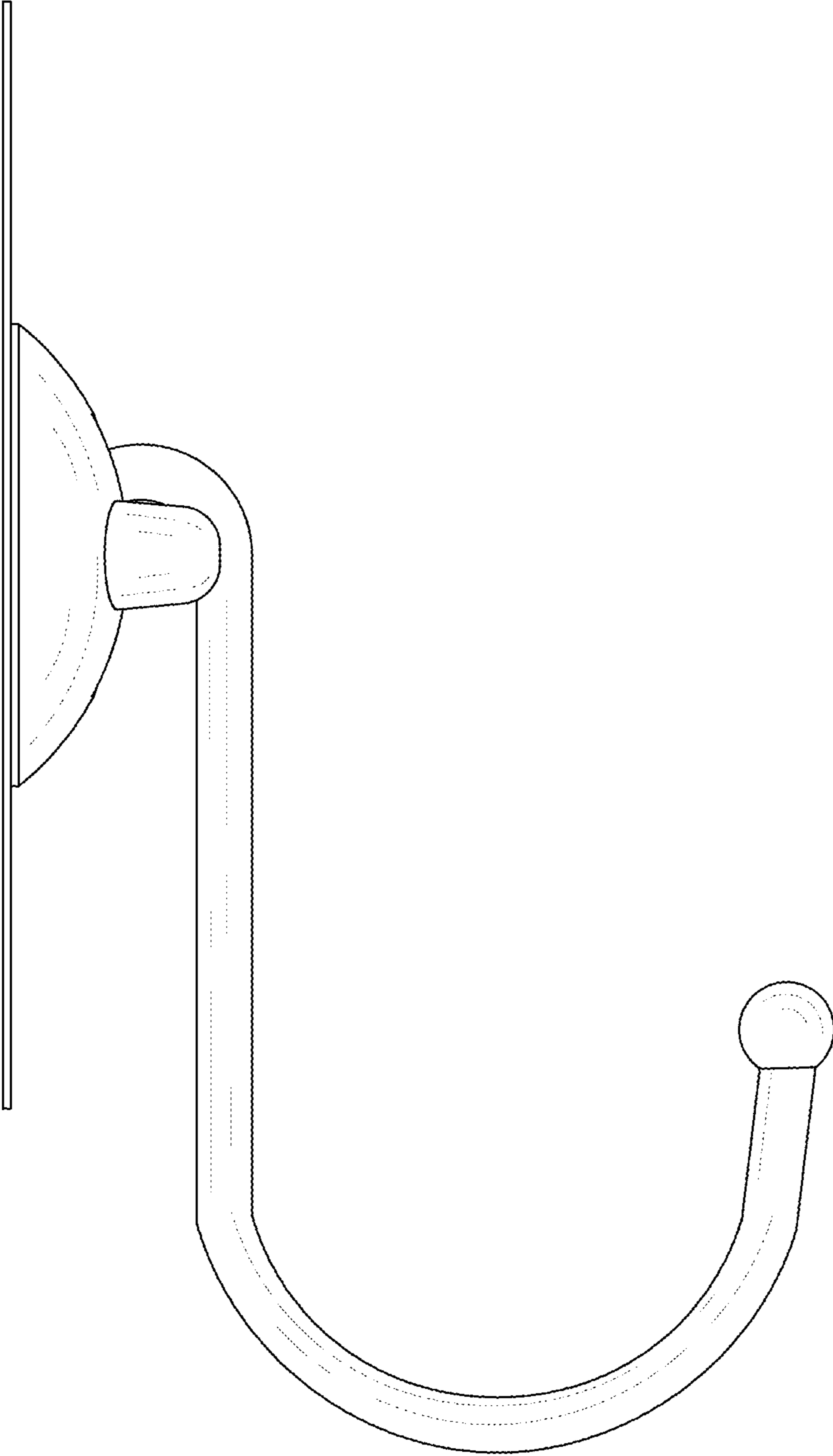


FIG. 6

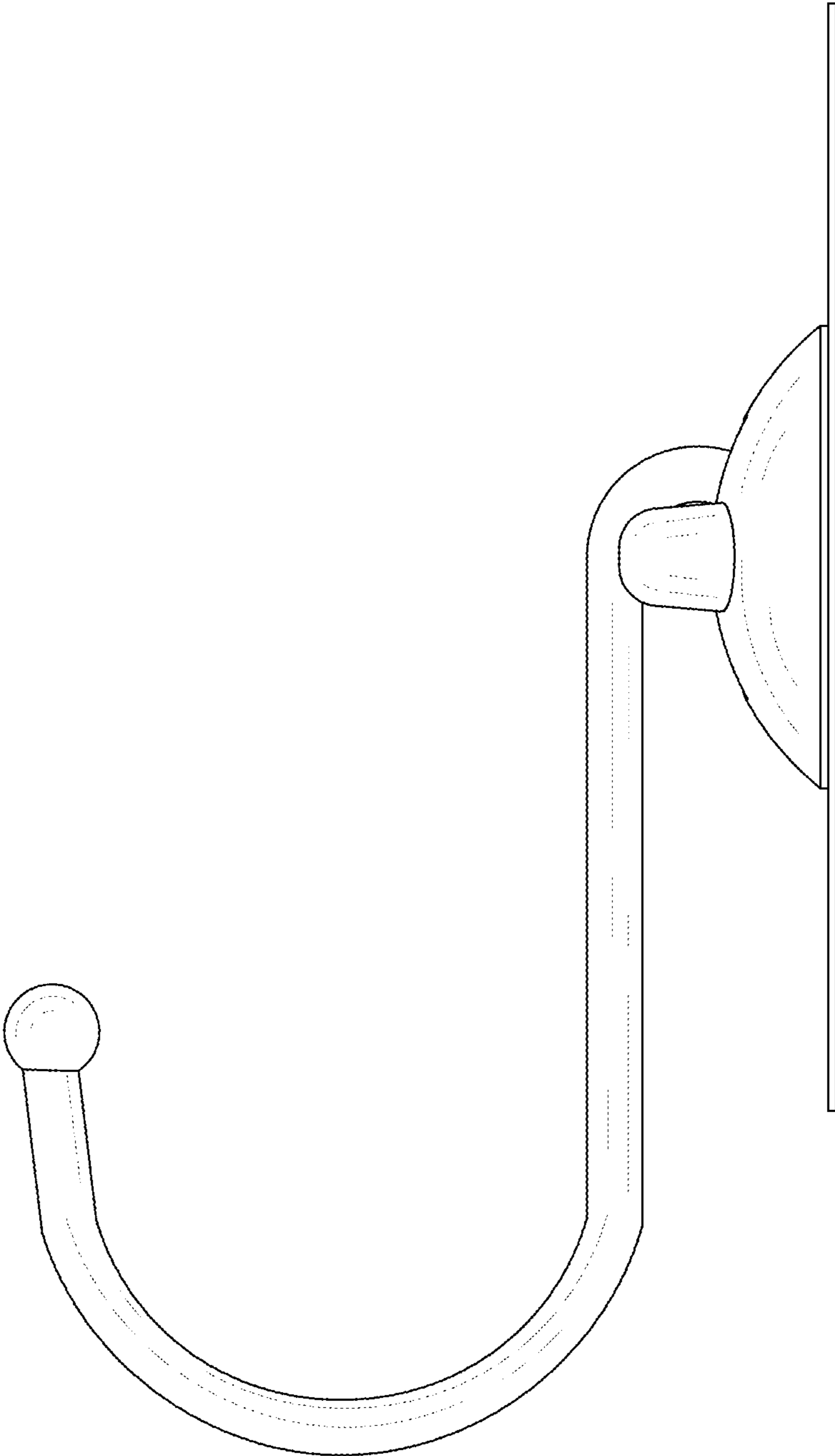


FIG. 7

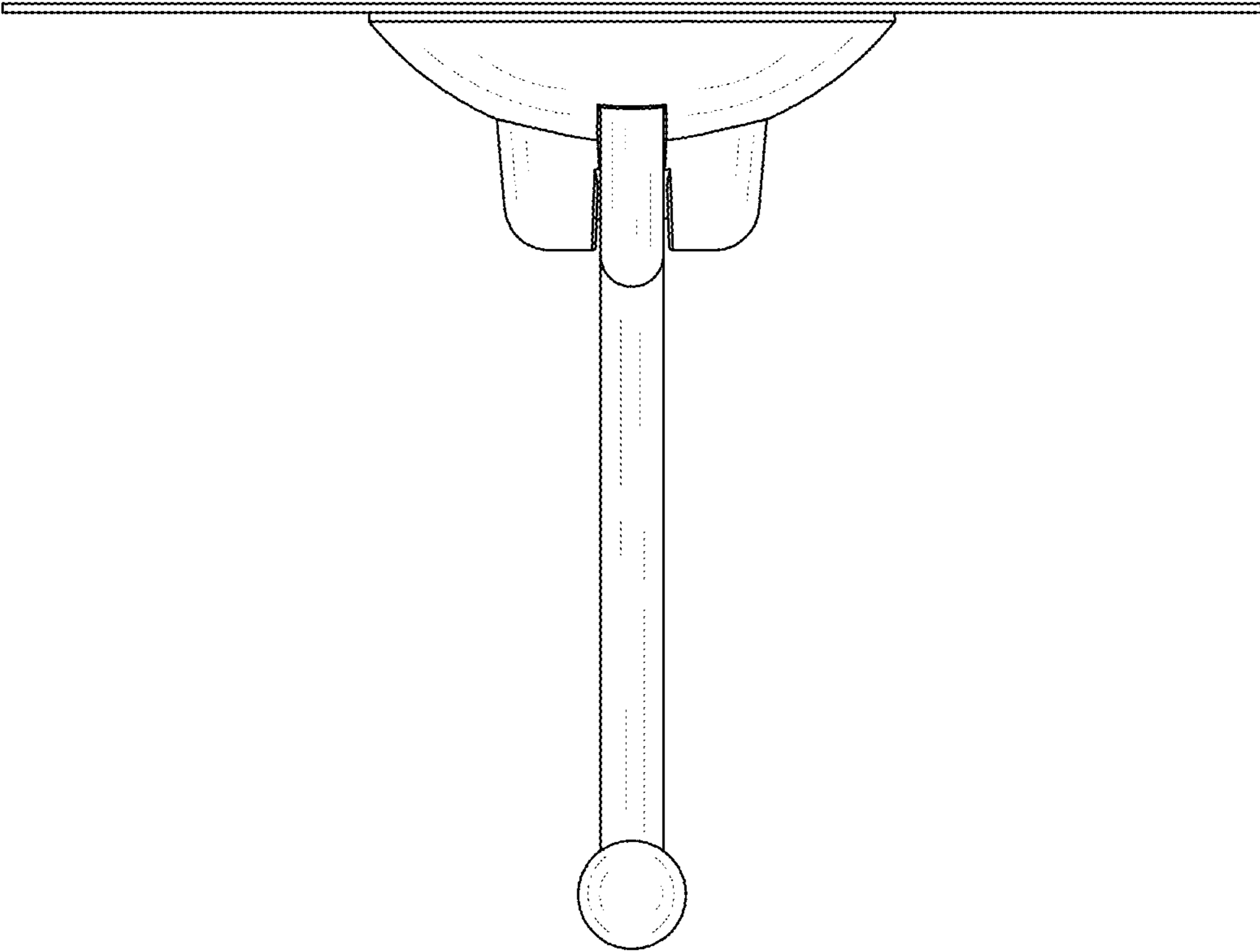


FIG. 8

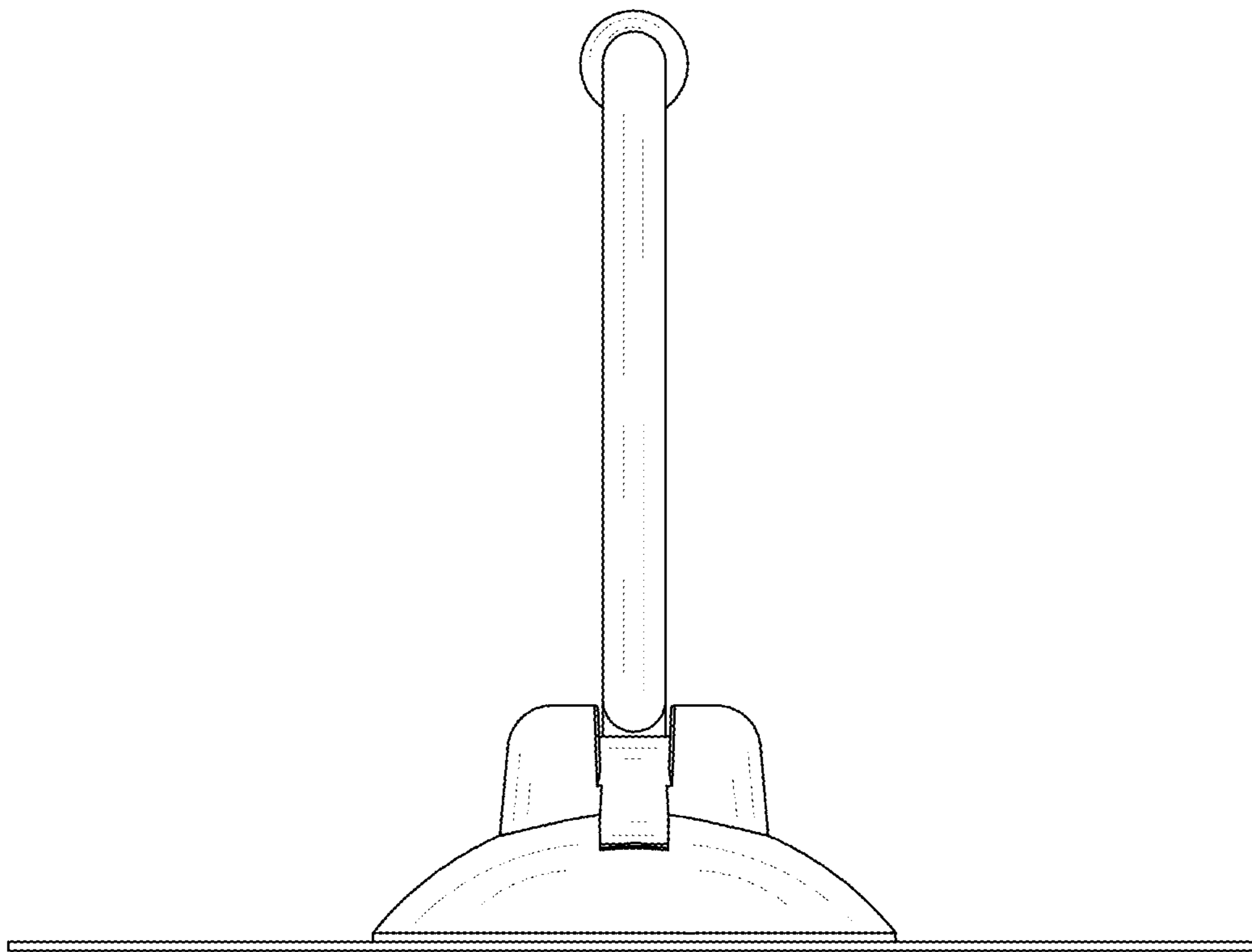


FIG. 9