



US00D972922S

(12) **United States Design Patent**  
**Cocks et al.**

(10) **Patent No.:** **US D972,922 S**  
(45) **Date of Patent:** **\*\* Dec. 20, 2022**

- (54) **HAND SHOWER BRACKET**
- (71) Applicant: **Phoenix Industries Pty Ltd**, Bayswater (AU)
- (72) Inventors: **Andrew John Cocks**, Bayswater (AU); **Ban Hsi Liu**, Bayswater (AU)
- (73) Assignee: **Phoenix Industries Pty Ltd**, Bayswater (AU)

4,964,573 A 10/1990 Lipski  
 D330,408 S 10/1992 Thacker  
 D340,376 S \* 10/1993 Klose ..... D6/524  
 D341,191 S 11/1993 Klose  
 (Continued)

(\*\*) Term: **15 Years**

(21) Appl. No.: **29/702,902**

(22) Filed: **Aug. 22, 2019**

(30) **Foreign Application Priority Data**

Feb. 22, 2019 (AU) ..... 201910946

(51) **LOC (13) Cl.** ..... **08-11**

(52) **U.S. Cl.**  
USPC ..... **D8/363**

(58) **Field of Classification Search**  
 USPC ..... D23/223, 226, 228, 304; D8/300, 303,  
 D8/308, 321, 349-350, 363-364, 373,  
 D8/380, 384, 71  
 CPC ..... A47K 3/122; A47K 3/281; A47K 3/003;  
 A47K 3/001; A47K 3/002; A47K 3/004;  
 A47K 3/022; A47K 3/12; A47K 3/127;  
 A47K 3/28; A47K 3/30; A47K 3/302;  
 A47K 3/36; A47K 3/40; A47K 3/405;  
 A47K 5/02; E03C 1/0408; E03C 1/042;  
 E03C 2001/0418; E03C 2201/50

See application file for complete search history.

(56) **References Cited**

**U.S. PATENT DOCUMENTS**

D266,212 S 9/1982 Haug  
 D267,582 S 1/1983 MacKay  
 D296,582 S \* 7/1988 Haug ..... D23/304

**FOREIGN PATENT DOCUMENTS**

AU 308198 7/2006  
 AU 308199 7/2006  
 (Continued)

**OTHER PUBLICATIONS**

TOI Basin Mixer, Phoenix Tapware, Showers & Accessories, <http://www.phoenixtapware.com.au/products/toi-basin-mixer>, known at least as early as Oct. 25, 2016, 3 pgs.

(Continued)

*Primary Examiner* — Karen S Acker  
*Assistant Examiner* — Elizabeth S Ko  
 (74) *Attorney, Agent, or Firm* — Womble Bond Dickinson (US) LLP

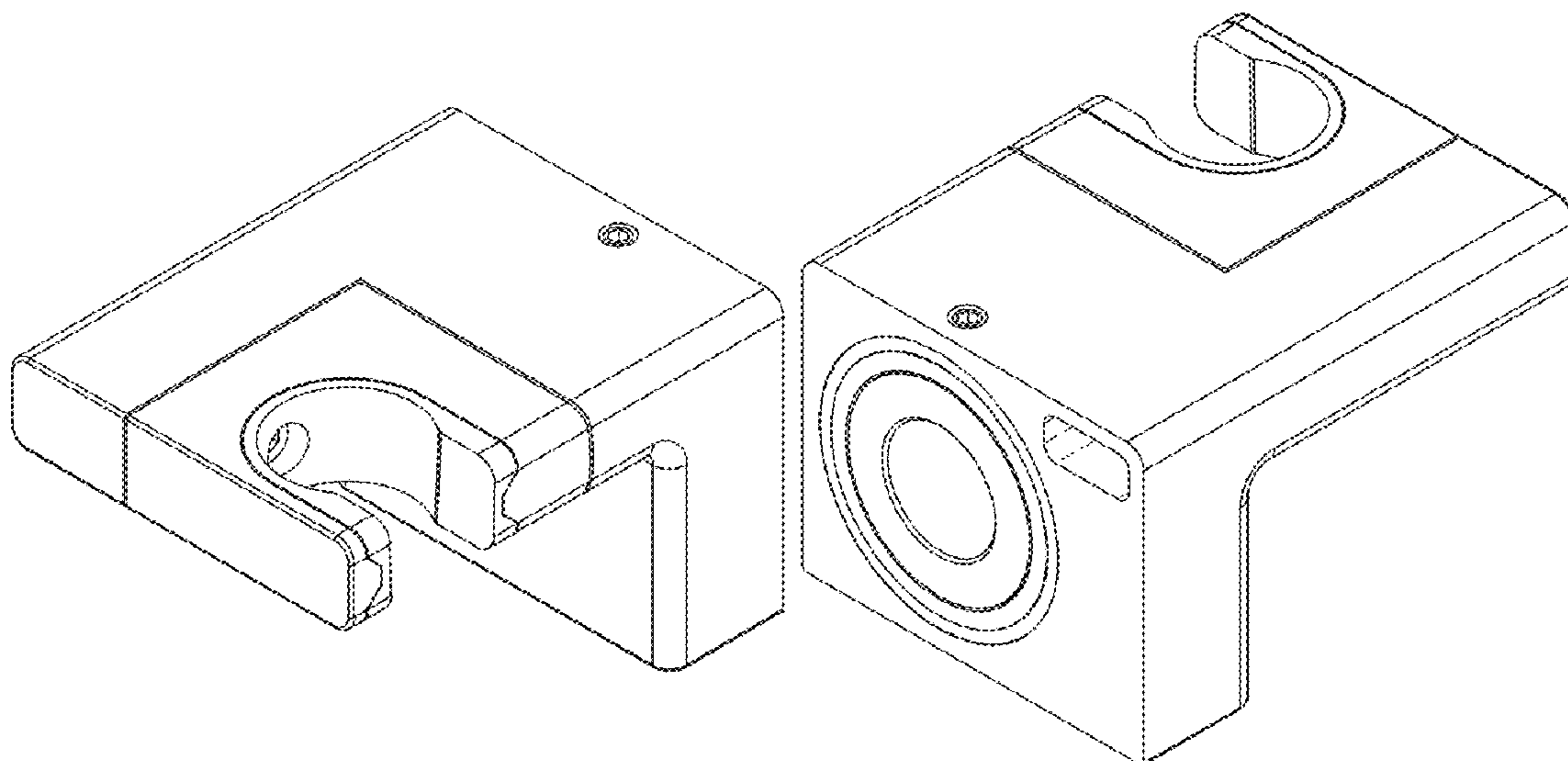
(57) **CLAIM**

The ornamental design for a hand shower bracket, as shown and described.

**DESCRIPTION**

FIG. 1 is an isometric front view of a hand shower bracket according to our new design;  
 FIG. 2 is an isometric rear view thereof;  
 FIG. 3 is a right side view thereof;  
 FIG. 4 is a left side view thereof;  
 FIG. 5 is a top view thereof;  
 FIG. 6 is a bottom view thereof;  
 FIG. 7 is a front view thereof; and,  
 FIG. 8 is a rear view thereof.  
 The portions of the hand shower bracket shown in evenly-spaced broken lines form no part of the claimed design.

**1 Claim, 2 Drawing Sheets**



(56)

References Cited

U.S. PATENT DOCUMENTS

D352,198 S *	11/1994	Wright	.....	D6/574	D654,983 S	2/2012	Schoenherr	
D360,023 S *	7/1995	Hunger	.....	D23/304	D655,386 S	3/2012	Schoenherr	
5,481,765 A	1/1996	Wang			D655,783 S	3/2012	Schoenherr	
5,632,049 A	5/1997	Chen			D656,582 S	3/2012	Flowers	
D387,230 S *	12/1997	von Buelow	.....	D6/524	D659,167 S	5/2012	Cocks	
D391,629 S	3/1998	Gottwald			D659,794 S	5/2012	Flowers	
D403,754 S *	1/1999	Gottwald	.....	D23/304	D659,797 S	5/2012	Farley	
D412,563 S	8/1999	Milrud			D665,479 S	8/2012	Cocks	
D416,992 S	11/1999	Neufeld			D669,156 S	10/2012	Schoenherr	
D419,227 S *	1/2000	Ben-Tsur	.....	D23/304	D669,962 S	10/2012	Schoenherr	
D426,290 S *	6/2000	Haug	.....	D23/304	D672,010 S	12/2012	Verdeflor	
D443,685 S	6/2001	Gottwald			D674,038 S	1/2013	Mendoza	
D457,598 S	5/2002	Storti			D680,619 S	4/2013	Zhadanov	
6,453,486 B1	9/2002	Chen			8,429,769 B2	4/2013	Gross	
D477,863 S	7/2003	Singtoroj			D681,776 S	5/2013	Cutler	
D484,226 S	12/2003	Cropelli			D681,781 S	5/2013	Cutler	
D487,498 S	3/2004	Blomstrom			D687,924 S	8/2013	Newson	
D493,864 S *	8/2004	Haug	.....	D6/524	D694,357 S	11/2013	Brodey	
D496,447 S	9/2004	Lobermeier			D694,358 S	11/2013	Schoenherr	
D496,448 S	9/2004	Haug			D694,359 S	11/2013	Schoenherr	
D496,987 S	10/2004	Glunk			D694,361 S	11/2013	Schoenherr	
D497,974 S	11/2004	Haug			D694,856 S	12/2013	Madsen	
D498,514 S	11/2004	Haug			D695,880 S *	12/2013	Schoenherr	..... D23/304
D508,730 S	8/2005	Blomstrom			D697,177 S	1/2014	Schoenherr	
D512,120 S	11/2005	Haug			D705,900 S	5/2014	Bailey	
D513,525 S	1/2006	Haug			D707,328 S	6/2014	Schoenherr	
D519,187 S	4/2006	Tse			D707,330 S	6/2014	Schoenherr	
7,043,776 B1	5/2006	Wu			D710,973 S	8/2014	Madsen	
D522,612 S	6/2006	Eilmus			D713,003 S	9/2014	Sandee	
D524,406 S	7/2006	Hoernig			D713,004 S	9/2014	Schoenherr	
D524,412 S	7/2006	Blomstrom			D713,496 S	9/2014	Schoenherr	
D527,072 S	8/2006	Wu			D713,498 S	9/2014	Schoenherr	
7,093,309 B2	8/2006	Kollmann			D714,421 S	9/2014	Flowers	
D531,259 S	10/2006	Hsieh			8,851,398 B2	10/2014	Li	
D540,427 S	4/2007	Bouroullec			D718,418 S	11/2014	Georgeson	
D540,925 S	4/2007	Garner			D719,640 S	12/2014	Yu	
D541,394 S	4/2007	Toyohara			8,919,709 B2	12/2014	Zhou	
D542,393 S *	5/2007	Haug	.....	D23/304	D723,137 S	2/2015	Nikles	
D542,394 S	5/2007	Cropelli			8,991,432 B2	3/2015	Zhou	
D543,093 S	5/2007	Chan			D730,493 S	5/2015	Sehl	
D545,419 S	6/2007	Nikles			9,027,857 B2	5/2015	Kull	
D550,337 S	9/2007	Stein			D733,258 S	6/2015	Sandee	
D556,855 S	12/2007	Mullenmeister			9,046,261 B2	6/2015	Zhang	
D562,937 S	2/2008	Schoenherr			D735,841 S	8/2015	Obara	
D562,950 S	2/2008	Nikles			D736,347 S	8/2015	Tan	
D564,066 S	3/2008	Lammel			D736,348 S	8/2015	Tan	
D565,703 S	4/2008	Lammel			D737,929 S	9/2015	Rexach	
D565,711 S	4/2008	Giggs			D737,931 S	9/2015	Schoenherr	
D566,228 S	4/2008	Neagoe			D737,932 S	9/2015	Nikles	
D566,231 S	4/2008	Lammel			D738,991 S	9/2015	Brodey	
D567,637 S	4/2008	Moore			D743,507 S	11/2015	Georgeson	
D572,337 S *	7/2008	Rexach	.....	D23/254	9,175,460 B2	11/2015	Ukigai	
D578,622 S	10/2008	Kollmann			D746,422 S *	12/2015	Schoenherr	..... D23/304
D580,025 S	11/2008	Kollmann			D746,423 S *	12/2015	Schoenherr	..... D23/304
D581,485 S	11/2008	Kollmann			D746,955 S	1/2016	Corder	
D584,803 S	1/2009	Lammel			D746,963 S *	1/2016	Barber	..... D23/304
D589,117 S	3/2009	Bardsley			D746,964 S *	1/2016	Schoenherr	..... D23/304
D590,916 S	4/2009	Schoenherr			D749,694 S	2/2016	Madsen	
D590,917 S	4/2009	Schoenherr			D751,174 S	3/2016	Schoenherr	
D592,276 S	5/2009	Schoenherr			D751,175 S	3/2016	Schoenherr	
D593,640 S	6/2009	Schoenherr			D751,176 S	3/2016	Schoenherr	
D604,802 S	11/2009	Schoenherr			D752,711 S	3/2016	Georgeson	
D613,370 S	4/2010	Allard			9,273,452 B2	3/2016	Wilson	
7,721,363 B2	5/2010	Huang			9,297,151 B2	3/2016	Blessing	
D620,077 S	7/2010	Lee			D757,894 S	5/2016	Schoenherr	
D622,809 S	8/2010	Montgomery			D757,895 S	5/2016	Schoenherr	
D622,830 S *	8/2010	Barnard	.....	D23/304	D758,532 S	6/2016	Schoenherr	
7,766,291 B2	8/2010	Eilmus			9,382,699 B2	7/2016	Andersen	
D624,155 S	9/2010	Yokoyama			9,387,495 B2	7/2016	Schumacher	
D626,194 S	10/2010	Kakihana			9,410,309 B2	8/2016	Sharratt	
D634,401 S	3/2011	Flowers			D778,402 S	2/2017	Schoenherr	
D637,026 S	5/2011	Lin			D778,404 S	2/2017	Schoenherr	
D637,266 S	5/2011	Flowers			D779,038 S	2/2017	Hanna	
D639,382 S	6/2011	Flowers			D779,039 S	2/2017	Hanna	
D649,623 S	11/2011	Flowers			D785,131 S	4/2017	Cimino	
					D787,458 S	5/2017	Kim	
					D790,665 S	6/2017	Spangler	
					D791,277 S	7/2017	Eads	
					D793,527 S	8/2017	Zanger	



(56)

References Cited

U.S. PATENT DOCUMENTS

D801,475 S 10/2017 Naslund  
 D803,350 S 11/2017 Tian  
 9,822,924 B2 11/2017 Wu  
 D808,499 S 1/2018 Naslund  
 D809,094 S 1/2018 Naslund  
 D810,233 S 2/2018 Winter  
 D810,234 S 2/2018 Winter  
 D810,861 S 2/2018 Weaver  
 D811,524 S 2/2018 Bossini  
 D813,348 S 3/2018 Bossini  
 D820,388 S 6/2018 Seum  
 D820,949 S 6/2018 Reinnecker  
 D821,542 S 6/2018 Reinnecker  
 D822,157 S 7/2018 L'Henaff  
 D824,485 S 7/2018 Montoya  
 D828,491 S 9/2018 Schoenherr  
 D828,511 S 9/2018 Liu et al.  
 D828,512 S 9/2018 Liu et al.  
 D828,516 S 9/2018 Liu et al.  
 D828,909 S 9/2018 Liu et al.  
 D832,398 S 10/2018 Lin  
 D833,575 S 11/2018 Soulier  
 D839,384 S 1/2019 Svendsen  
 D840,503 S 2/2019 Stein  
 D841,121 S 2/2019 Kiefer  
 D841,125 S 2/2019 Lai  
 D841,126 S 2/2019 Lai  
 D841,128 S 2/2019 Zhou  
 D841,786 S 2/2019 Hsieh  
 10,195,654 B2 2/2019 Honda  
 D842,429 S 3/2019 Huang  
 D842,430 S 3/2019 Huang  
 D842,431 S 3/2019 Cacka  
 D842,967 S 3/2019 Farley  
 D844,749 S 4/2019 Cocks et al.  
 D846,077 S 4/2019 Liu  
 D846,696 S 4/2019 Cocks  
 D846,701 S 4/2019 Liu  
 D846,702 S 4/2019 Liu  
 D847,302 S 4/2019 Cocks et al.  
 D849,696 S 4/2019 Cocks et al.  
 D849,191 S 5/2019 Cocks et al.  
 D851,207 S 6/2019 Cocks et al.  
 D855,759 S 8/2019 Winter  
 D855,760 S 8/2019 Lee  
 D856,475 S 8/2019 Gessi  
 D858,700 S 9/2019 Stoler  
 D861,830 S 10/2019 Quinn  
 D865,132 S 10/2019 Hoogendoorn et al.  
 D865,133 S 10/2019 Hoogendoorn et al.  
 D866,715 S 11/2019 Liu et al.  
 D868,213 S 11/2019 Hoogendoorn et al.  
 D869,608 S 12/2019 Seum  
 D879,245 S 3/2020 Eads  
 D879,247 S 3/2020 Stoler  
 D888,195 S 6/2020 Cocks et al.  
 D890,884 S 7/2020 Downey  
 D902,346 S 11/2020 Cocks  
 D904,276 S 12/2020 Hostetter  
 10,851,528 B2 12/2020 Wang  
 D925,017 S \* 7/2021 Liu ..... D23/304  
 D926,287 S 7/2021 Cocks et al.  
 D926,924 S 8/2021 Cocks et al.  
 D926,925 S 8/2021 Cocks et al.  
 D927,638 S 8/2021 Cocks et al.  
 D939,046 S 12/2021 Cocks et al.  
 D939,047 S 12/2021 Cocks et al.  
 D939,664 S 12/2021 Cocks et al.  
 D942,599 S 2/2022 Cocks et al.  
 2008/0223957 A1 9/2008 Schorn  
 2009/0222983 A1 9/2009 Bosio  
 2010/0037389 A1 2/2010 Gross  
 2010/0320295 A1 12/2010 Mang  
 2011/0108640 A1 5/2011 Grahe  
 2013/0248017 A1 9/2013 Neagoe

2013/0283520 A1 10/2013 Schulte  
 2014/0251454 A1 9/2014 Blessing  
 2016/0265201 A1 9/2016 Hoogendoorn et al.  
 2016/0339456 A1\* 11/2016 Lin ..... E03C 1/023  
 2018/0298596 A1 10/2018 Tsai  
 2019/0211537 A1 7/2019 Lee  
 2019/0249402 A1 8/2019 Whitfield  
 2020/0263399 A1 8/2020 Sierks  
 2021/0079632 A1 3/2021 Beattie

FOREIGN PATENT DOCUMENTS

AU 308201 7/2006  
 AU 308202 7/2006  
 AU 314560 6/2007  
 AU 314563 6/2007  
 AU 321286 10/2008  
 AU 328364 11/2009  
 AU 328365 11/2009  
 AU 334096 12/2010  
 AU 336356 5/2011  
 AU 336357 5/2011  
 AU 337781 7/2011  
 AU 337782 7/2011  
 AU 344493 9/2012  
 AU 344494 9/2012  
 AU 350490 8/2013  
 AU 355991 6/2014  
 AU 355992 6/2014  
 AU 355993 6/2014  
 AU 355994 6/2014  
 AU 357542 9/2014  
 AU 357840 9/2014  
 AU 357842 9/2014  
 AU 357843 9/2014

OTHER PUBLICATIONS

TOI Wall Basin/Bath Mixer Set, <http://www.phoenixtapware.com.au/toi-wall-basin-mixer-set180mm>, known at least as early as Oct. 25, 2016, 3 pgs.  
 TOI Sink Mixer Squareline, Phoenix Tapware, Showers & Accessories, <http://www.phoenixtapware.com.au/toi-sink-mixer-180mm-squareline>, known at least as early as Oct. 25, 2016, 3 pgs.  
 “HammerHead Showers 1F-HHS-CH-2.5”, Nov. 14, 2017, Amazon, site visited Apr. 19, 2021: <https://www.amazon.com/dp/B077GHJFLP> (Year: 2017).  
 “ALFI brand AB7938”, Dec. 6, 2013, Amazon, site visited Apr. 19, 2021: <https://www.amazon.com/dp/B00H50Z9ZY> (Year: 2013).  
 “Hansgrohe 4266000”, Feb. 18, 2010, Amazon, site visited Apr. 19, 2021: <https://www.amazon.com/dp/B002VKP5CU/> (Year:2010).  
 “Moen 3668EPBN”, Jun. 13, 2013, Amazon, site visited Apr. 19, 2021: <https://www.amazon.com/dp/B00DDVZCHO/> (Year: 2013).  
 “How to Install—Slide Rail Shower System SRXBH-643E” Aug. 29, 2019, YouTube, site visited Apr. 19, 2021: <https://www.youtube.com/watch?v=nThLskqGd0w> (Year: 2019).  
 “Delta Faucet Vero 57530” Sep. 29, 2012, Amazon, site visited Apr. 19, 2021: <https://www.amazon.ca/dp/B0040YM6L8/> (Year: 2012).  
 “Gowe GWE-1024863”, May 22, 2016, Amazon, site visited Apr. 19, 2021: <https://www.amazon.com/dp/B01G05OBGW> (Year: 2016).  
 “Bright Showers Square Shower Wand”, Jul. 19, 2018, Amazon, site visited Apr. 19, 2021: <https://www.amazon.com/dp/B07FPKD3WC/> (Year: 2018).  
 “Oil Rubbed Bronze Rain Shower”, Mar. 8, 2018, Amazon, site visited Apr. 19, 2021: <https://www.amazon.com/dp/B07B9XR1PF/> (Year: 2018).  
 “Grohe 27867001”, Apr. 1, 2018, Amazon, site visited Apr. 19, 2021: <https://www.amazon.com/dp/B07BYHDQ8V/> (Year: 2018).  
 “Jaclo 6458-MBK”, Sep. 16, 2015, Amazon, site visited Apr. 19, 2021: <https://www.amazon.com/dp/B015GG6K4M/> (Year:2015).  
 “Kes Home Towel Hook 5846598”, Apr. 17, 2015, Amazon, site visited Apr. 19, 2021: <https://www.amazon.com/dp/B00W8V60NU/> (Year: 2015).

(56)

**References Cited**

OTHER PUBLICATIONS

Amazon; 8 Inch Rainfall Shower Head; WaterPoint; available at [https://www.amazon.com/Inch-Rainfall-Shower-Head-WaterPoint/dp/B07R62JT94/ref=sr\\_1\\_1\\_75?keywords=showerhead&qid=1566490142&s=gateway&sr=8-75](https://www.amazon.com/Inch-Rainfall-Shower-Head-WaterPoint/dp/B07R62JT94/ref=sr_1_1_75?keywords=showerhead&qid=1566490142&s=gateway&sr=8-75); available prior to Aug. 22, 2019.

\* cited by examiner

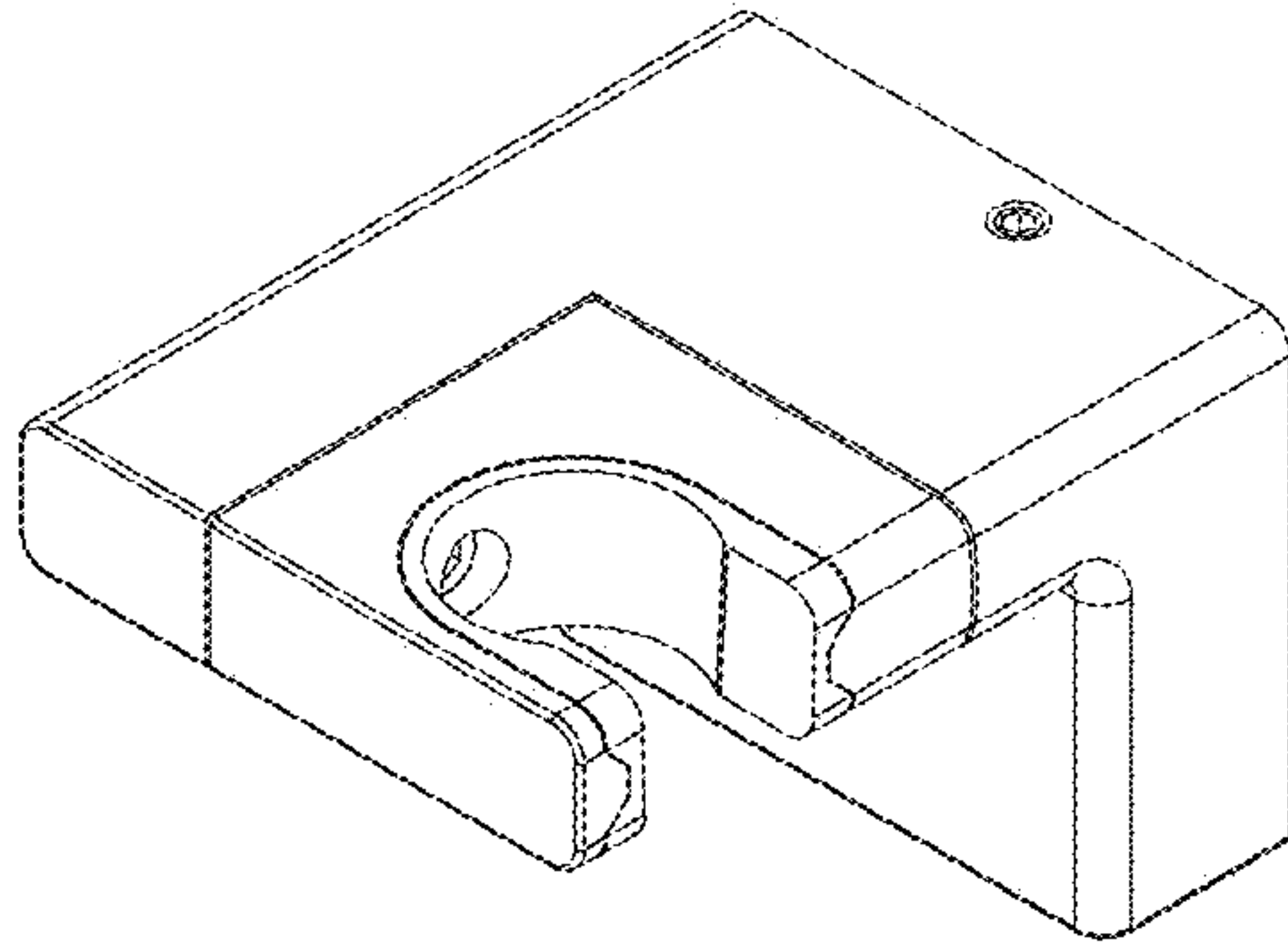


Figure 1

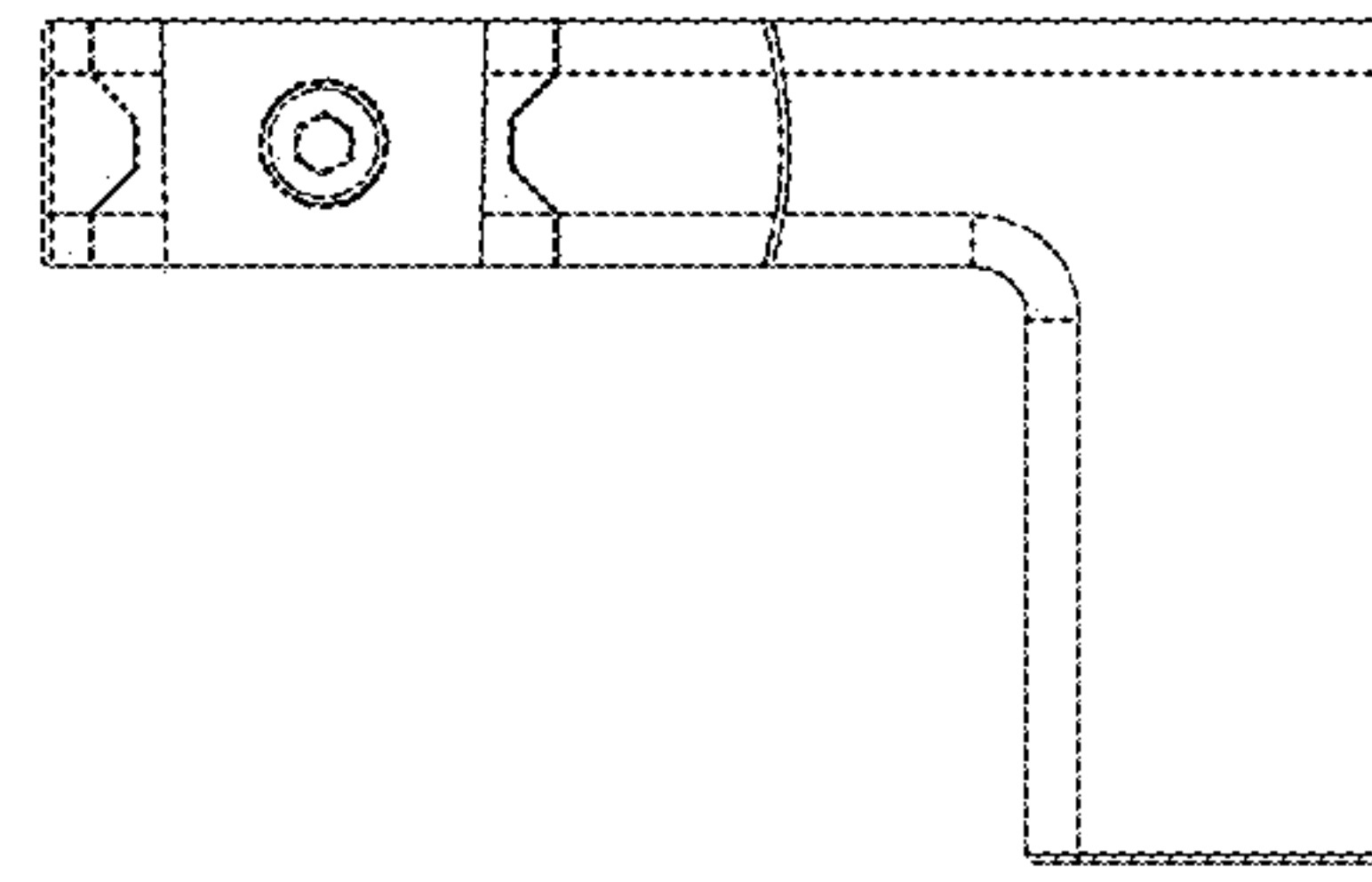


Figure 3

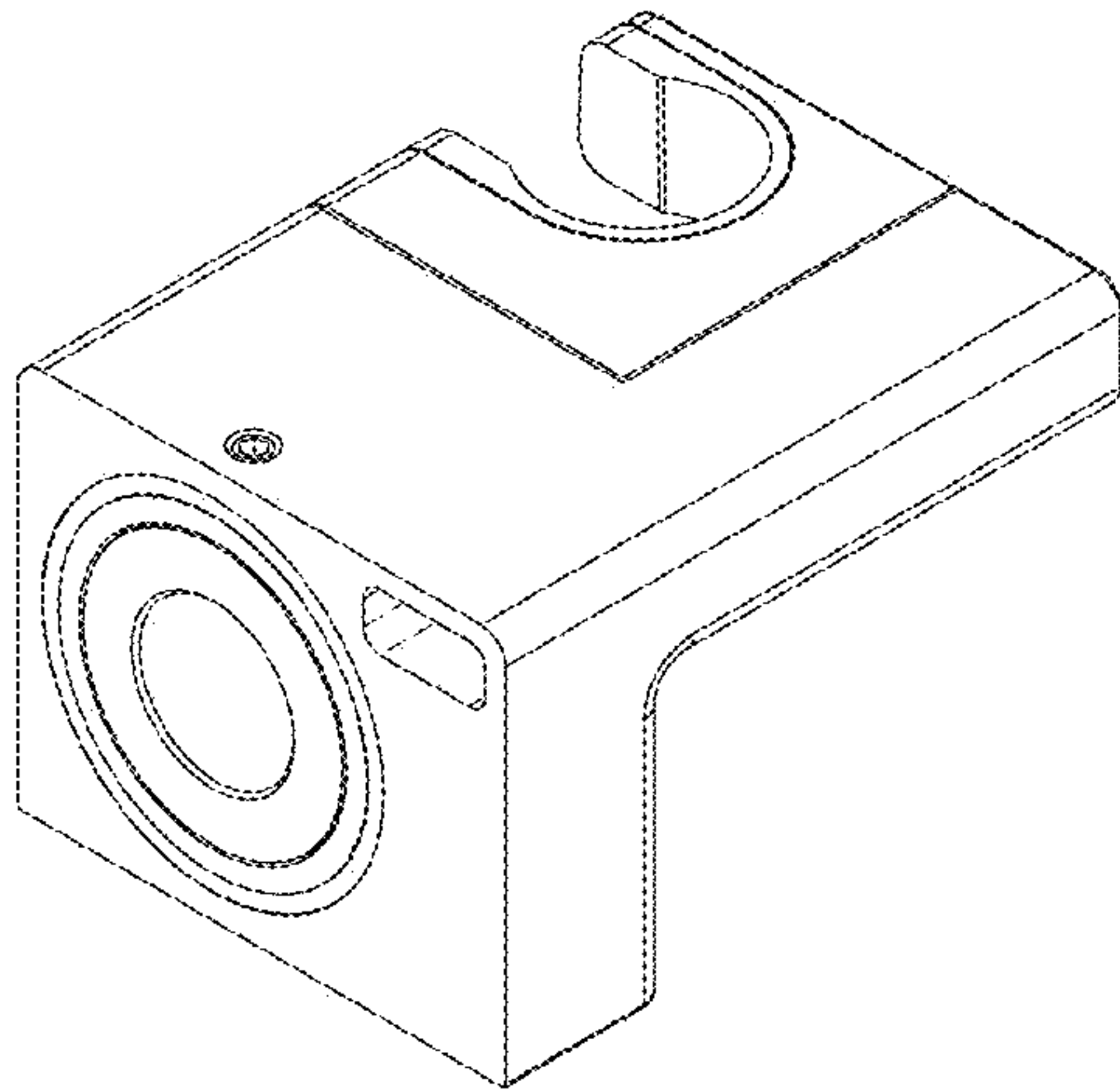


Figure 2

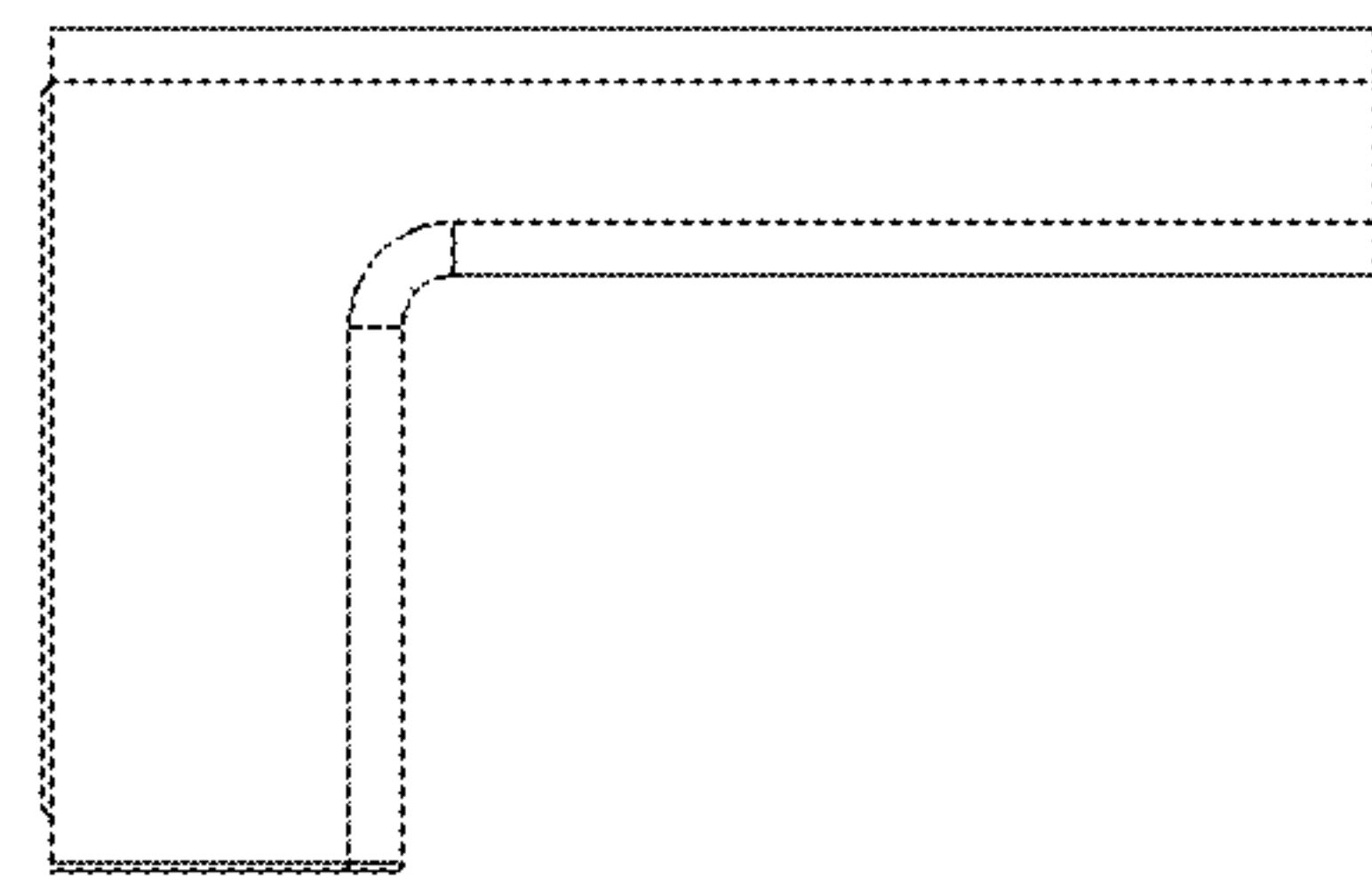


Figure 4

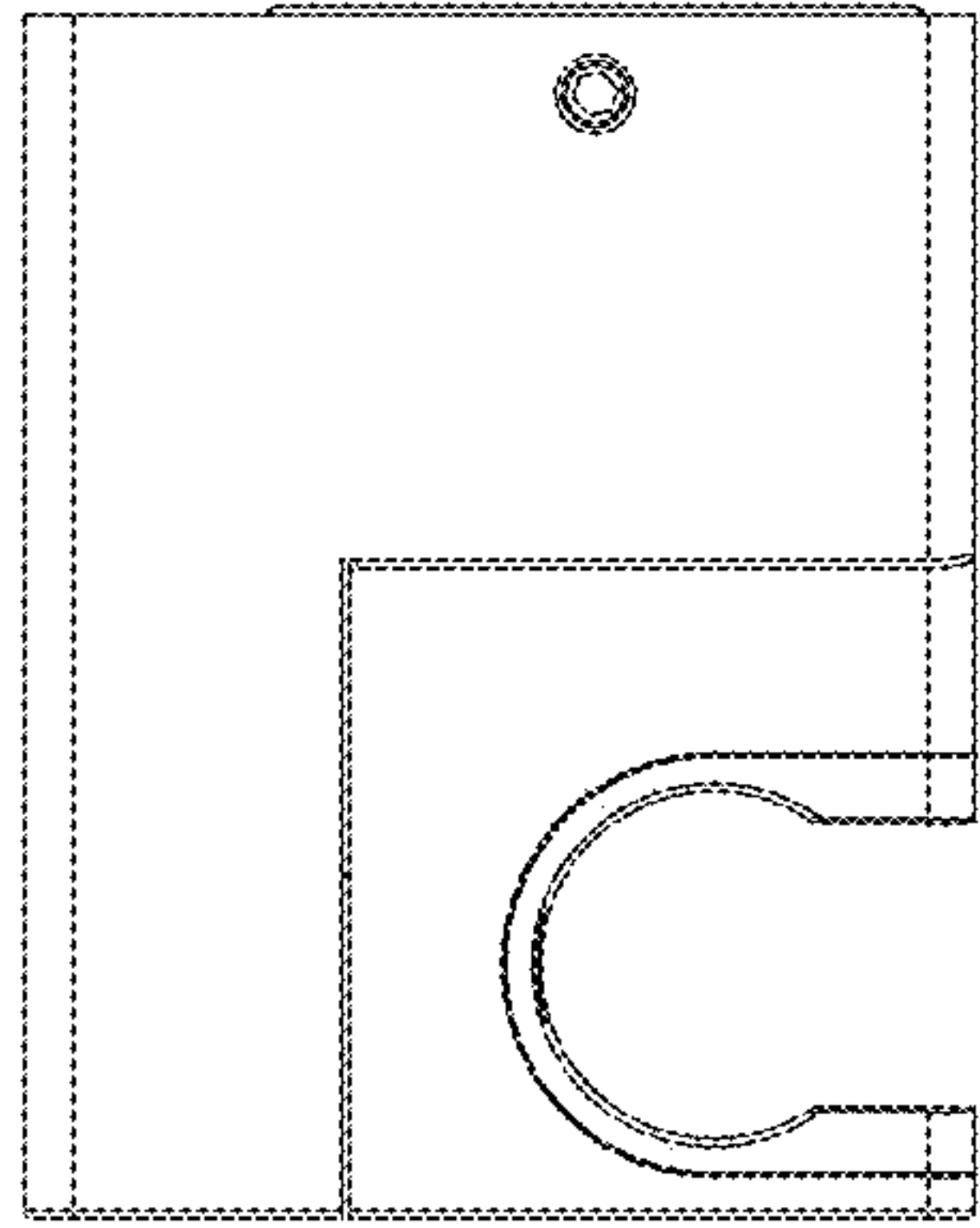


Figure 5

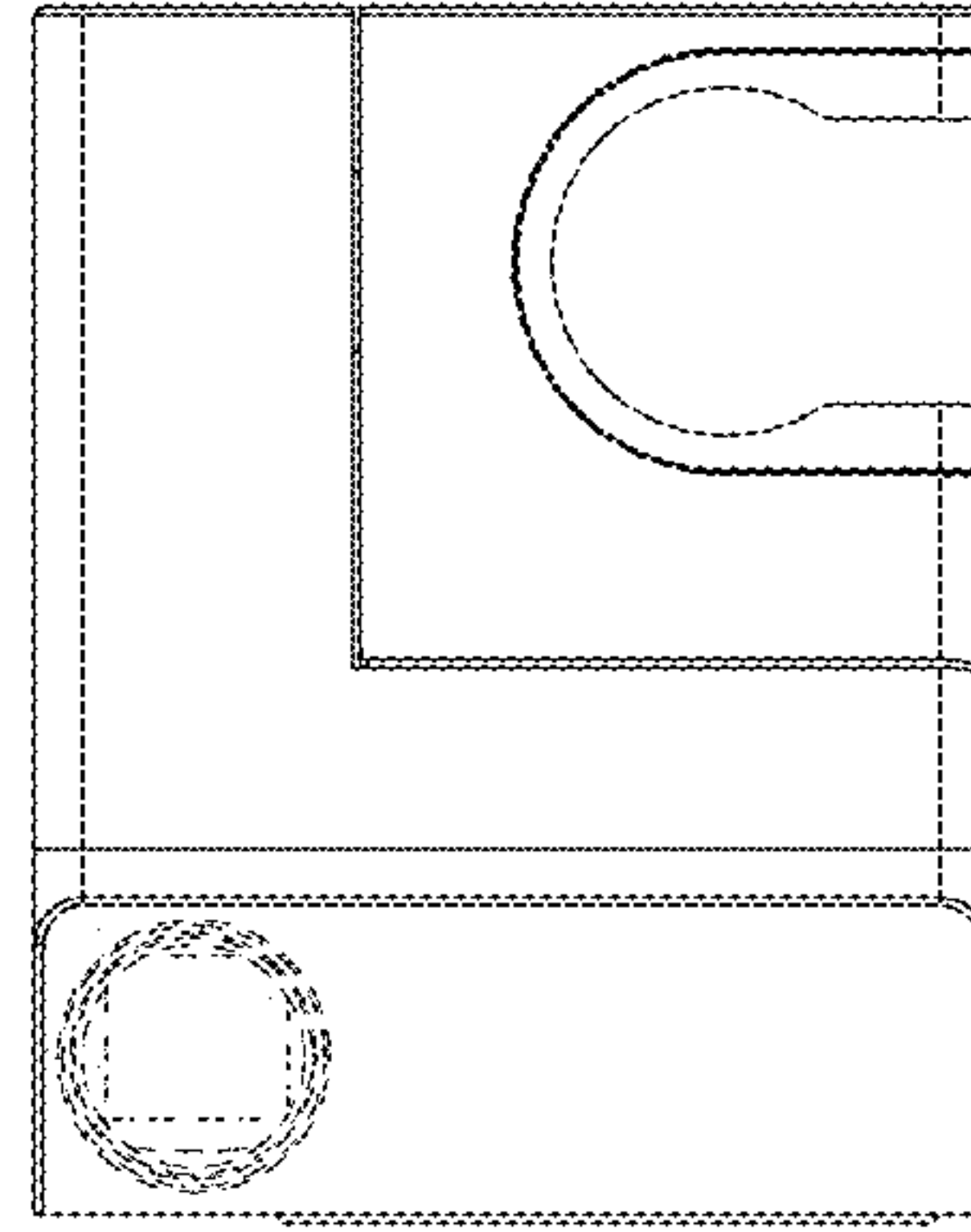


Figure 6

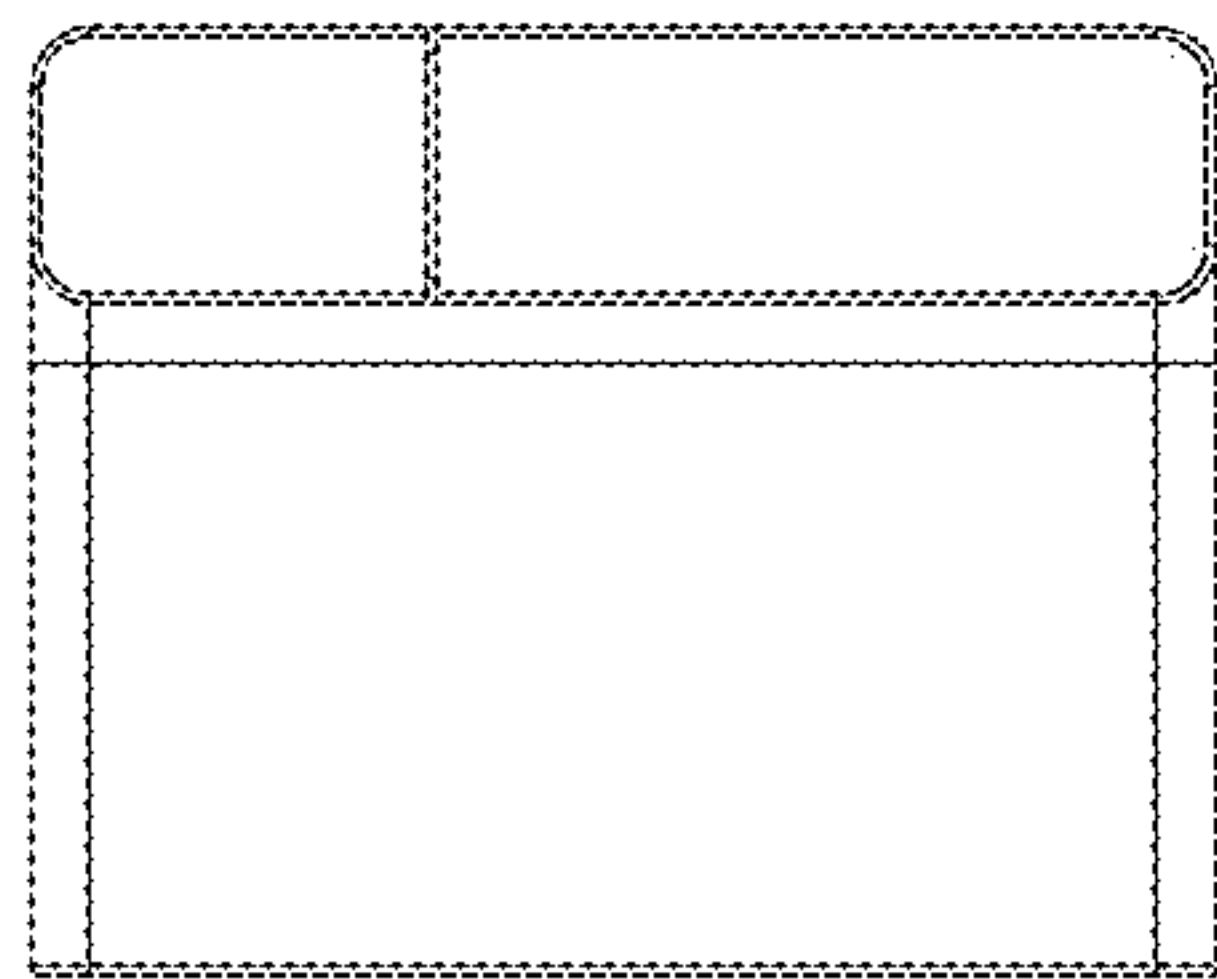


Figure 7

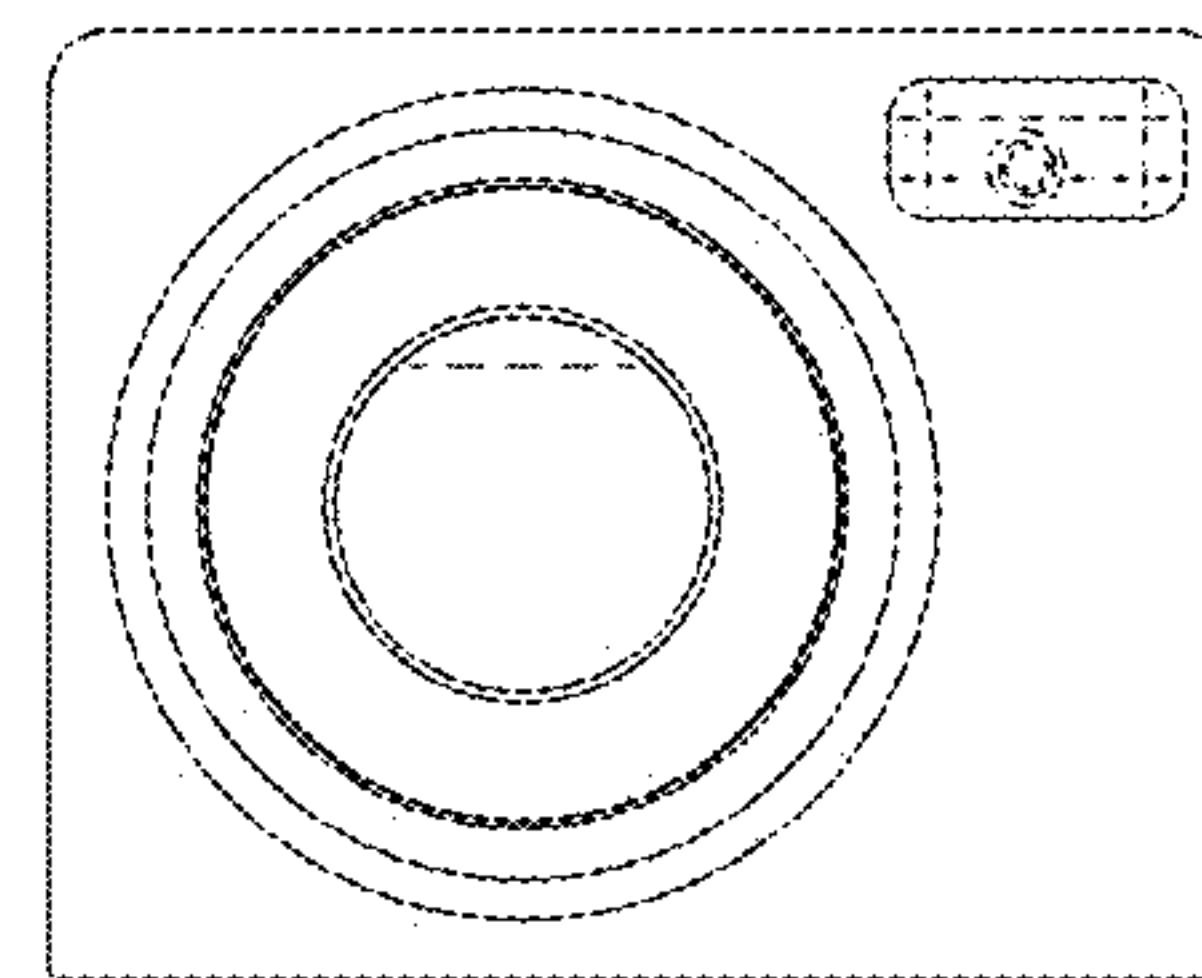


Figure 8