



US00D972921S

(12) **United States Design Patent** (10) **Patent No.:** **US D972,921 S**
Chih et al. (45) **Date of Patent:** **** Dec. 20, 2022**

(54) **ROPE HOOK**
(71) Applicants: **Ti-An Chih**, Changhua Hsien (TW);
Ti-Fan Shih, Changhua Hsien (TW)
(72) Inventors: **Ti-An Chih**, Changhua Hsien (TW);
Ti-Fan Shih, Changhua Hsien (TW)
(**) Term: **15 Years**
(21) Appl. No.: **29/715,854**
(22) Filed: **Dec. 5, 2019**
(51) **LOC (13) Cl.** **09-06**
(52) **U.S. Cl.**
USPC **D8/356**
(58) **Field of Classification Search**
USPC D8/356, 354, 105, 349; D3/207
CPC B65H 57/16; B63B 21/045; B63B 29/08;
B63B 27/02
See application file for complete search history.

D765,497 S * 9/2016 Petzl D8/356
D785,316 S * 5/2017 Grossman D3/208
D819,429 S * 6/2018 Newing D8/356
D821,090 S * 6/2018 Case D3/207
10,060,466 B2 * 8/2018 Kaneko F16B 45/02
D827,418 S * 9/2018 Austin D8/356
D837,635 S * 1/2019 Petzl D8/356
D843,814 S * 3/2019 Cariano D8/356
D852,609 S * 7/2019 LeBeau D8/356
D854,401 S * 7/2019 Adelman D8/356
D856,118 S * 8/2019 Adelman D8/356
D878,910 S * 3/2020 O'Neill D8/367
D882,378 S * 4/2020 Graykowski D8/356
D894,718 S * 9/2020 Kramer D8/356
D902,009 S * 11/2020 Yang D8/336
2006/0179784 A1 * 8/2006 Chen F16B 21/00
52/698
2013/0219673 A1 * 8/2013 Perner F16B 45/02
24/375
2014/0110956 A1 * 4/2014 Lin B66C 1/36
294/82.2
2014/0245576 A1 * 9/2014 Perner F16B 45/02
24/600.1

(Continued)

Primary Examiner — Cynthia R Underwood
(74) *Attorney, Agent, or Firm* — Guice Patents PLLC

(56) **References Cited**

U.S. PATENT DOCUMENTS

D342,665 S * 12/1993 Rekc D8/367
D348,385 S * 7/1994 Krauss D8/367
D355,585 S * 2/1995 Terada D8/367
D391,694 S * 3/1998 Eichhorn 119/784
D391,840 S * 3/1998 Striebel D8/367
D394,202 S * 5/1998 Anscher D8/367
D402,189 S * 12/1998 Izumi D8/382
D491,049 S * 6/2004 Kung D8/367
D579,763 S * 11/2008 Uehara D8/367
D583,654 S * 12/2008 Uehara D8/367
D649,024 S * 11/2011 Takazakura D8/367
D665,655 S * 8/2012 Ishii D8/367
D675,806 S * 2/2013 Caul D2/500
D730,159 S * 5/2015 Grimm D8/356
D730,722 S * 6/2015 Grimm D8/356
D738,196 S * 9/2015 Petzl D8/356
D740,645 S * 10/2015 Koreishi D8/367

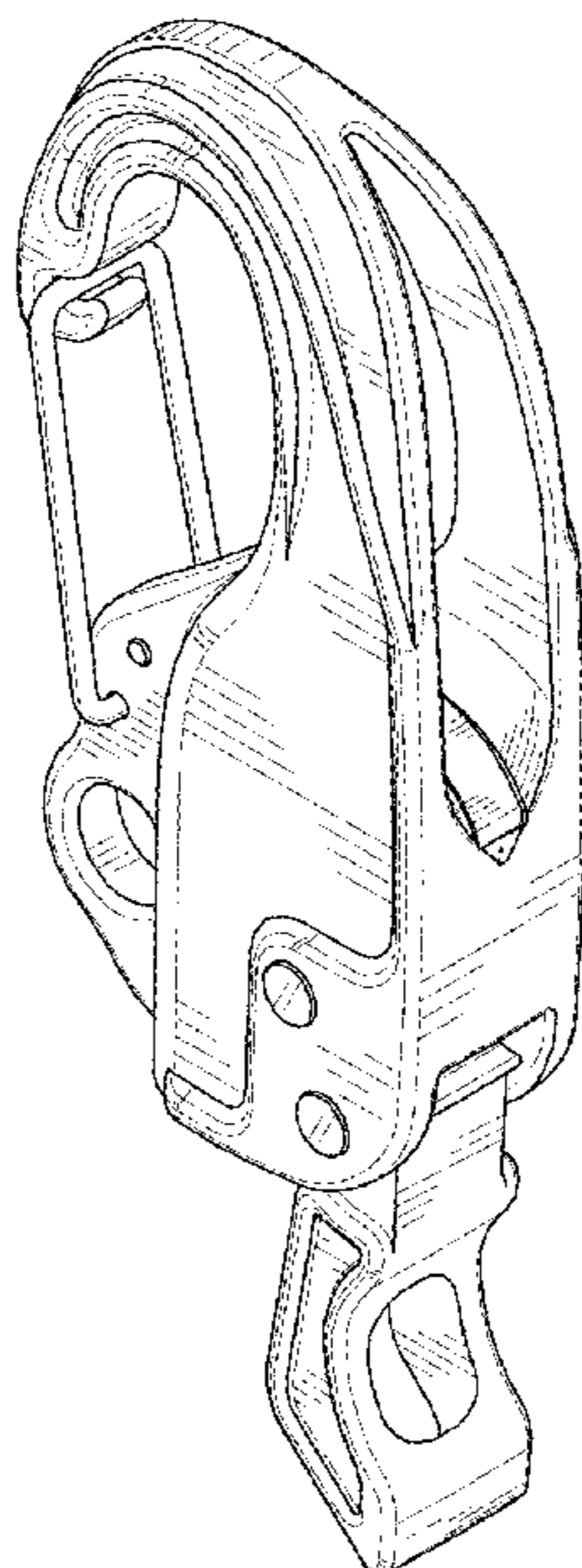
(57) **CLAIM**

The ornamental design for a rope hook, as shown and described.

DESCRIPTION

FIG. 1 is a perspective view of a rope hook embodying the design;
FIG. 2 is a front view thereof;
FIG. 3 is a rear view thereof;
FIG. 4 is a left side view thereof;
FIG. 5 is a right side view thereof;
FIG. 6 is a top view thereof; and,
FIG. 7 is a bottom view thereof.

1 Claim, 4 Drawing Sheets



(56)

References Cited

U.S. PATENT DOCUMENTS

2015/0231423 A1* 8/2015 Perner A62B 35/0075
24/505
2016/0361578 A1* 12/2016 Casebolt A62B 35/0037
2016/0376129 A1* 12/2016 Hendrix F16B 45/02
294/82.2

* cited by examiner

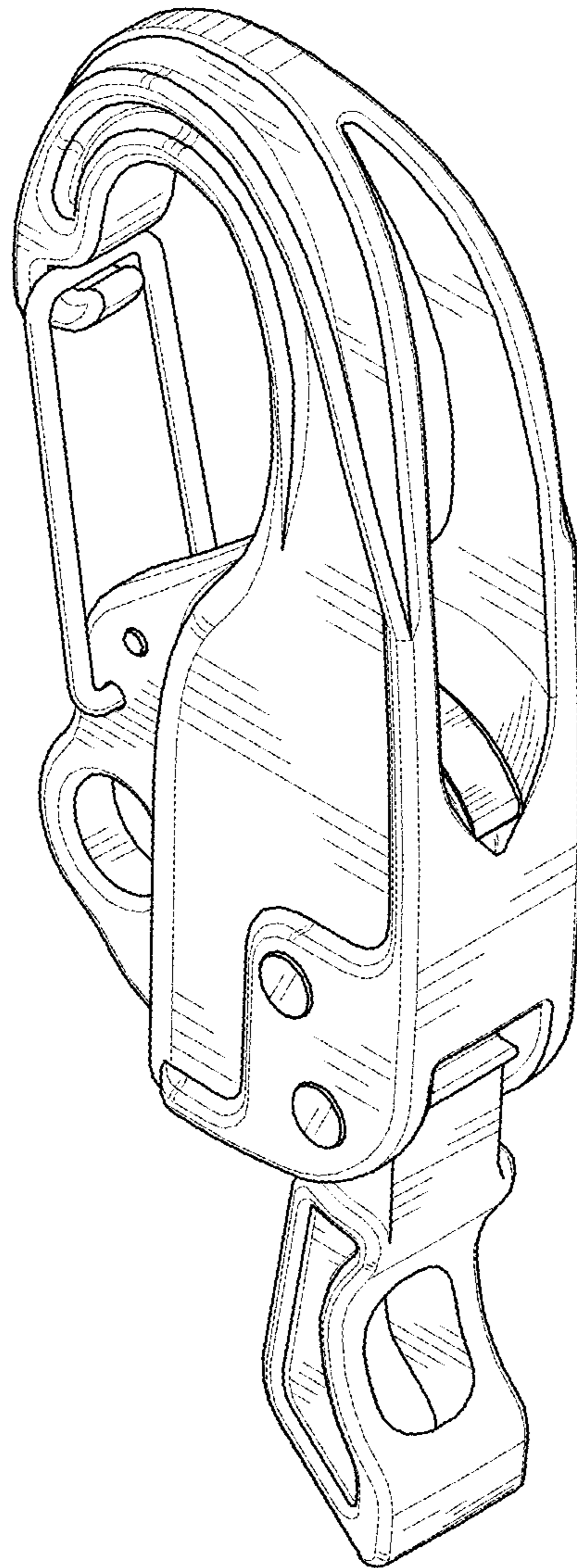


Fig. 1

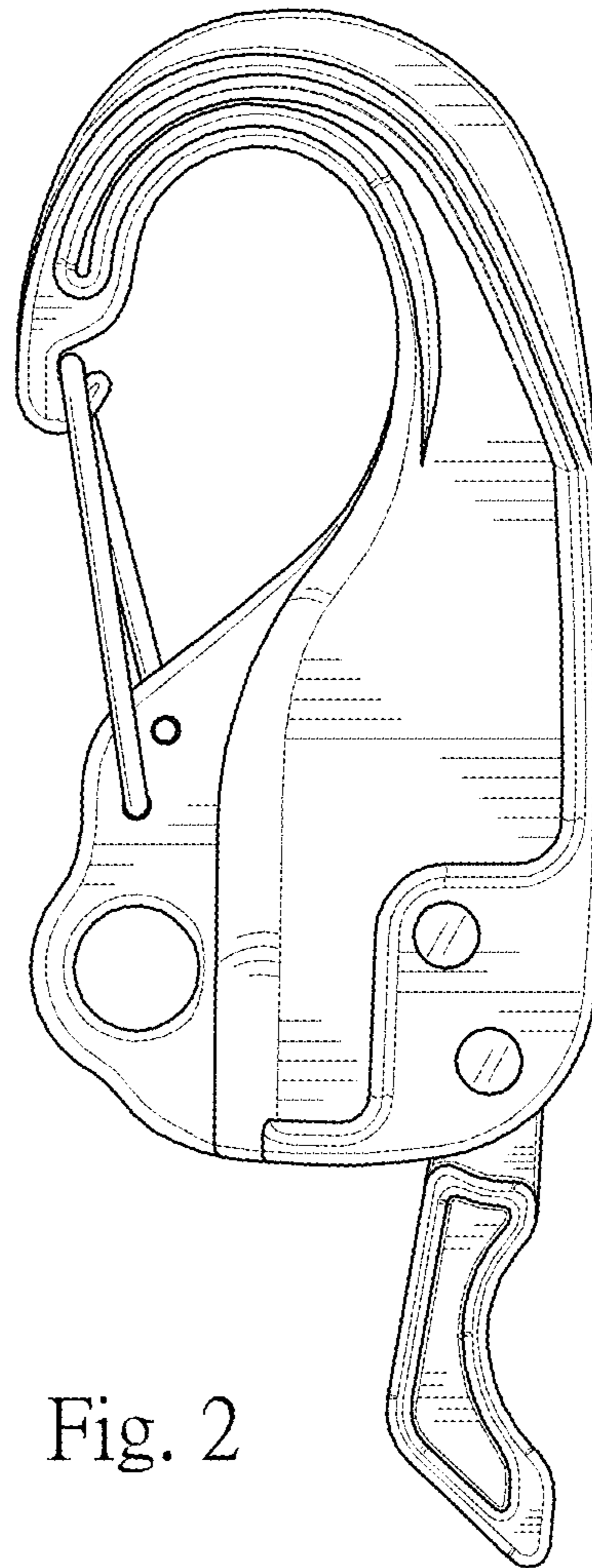


Fig. 2

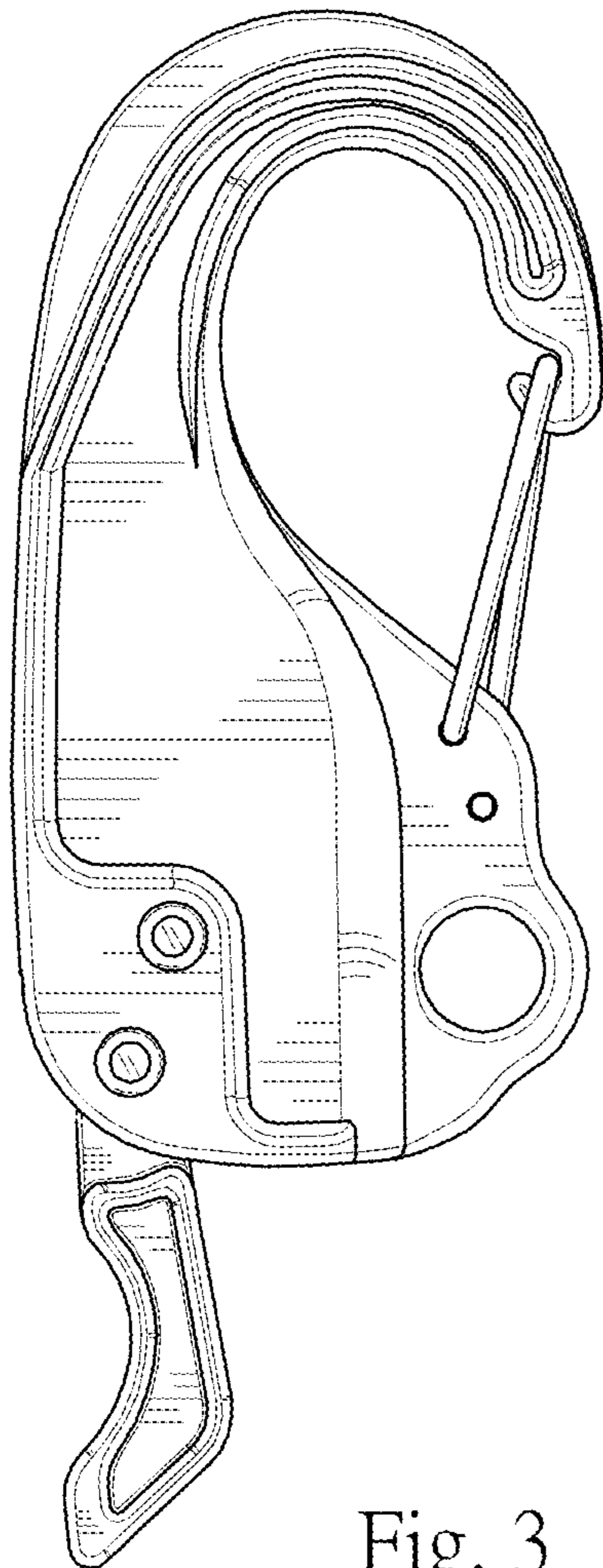


Fig. 3

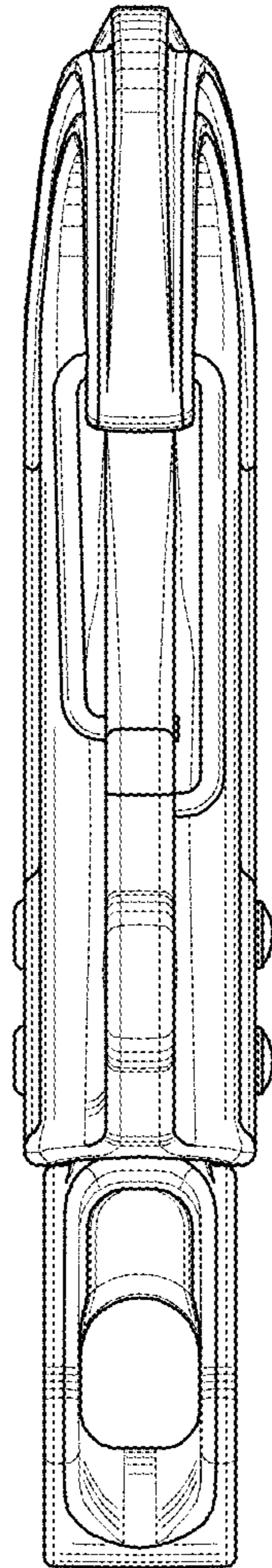


Fig. 4

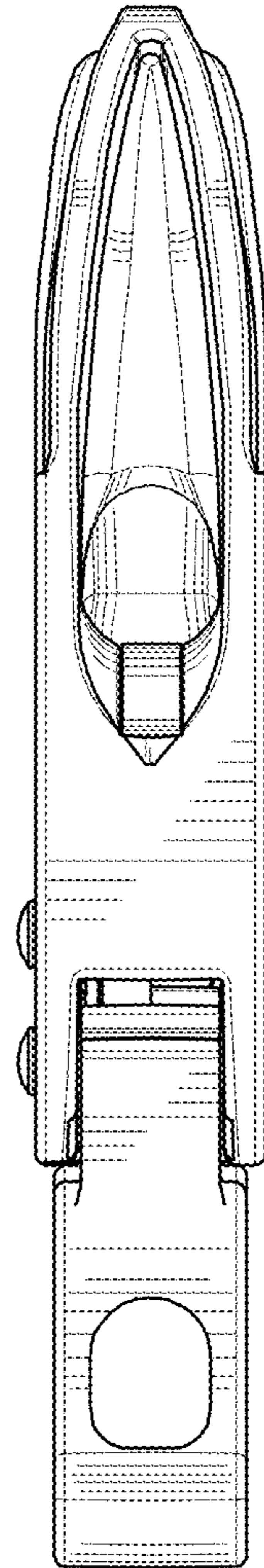


Fig. 5

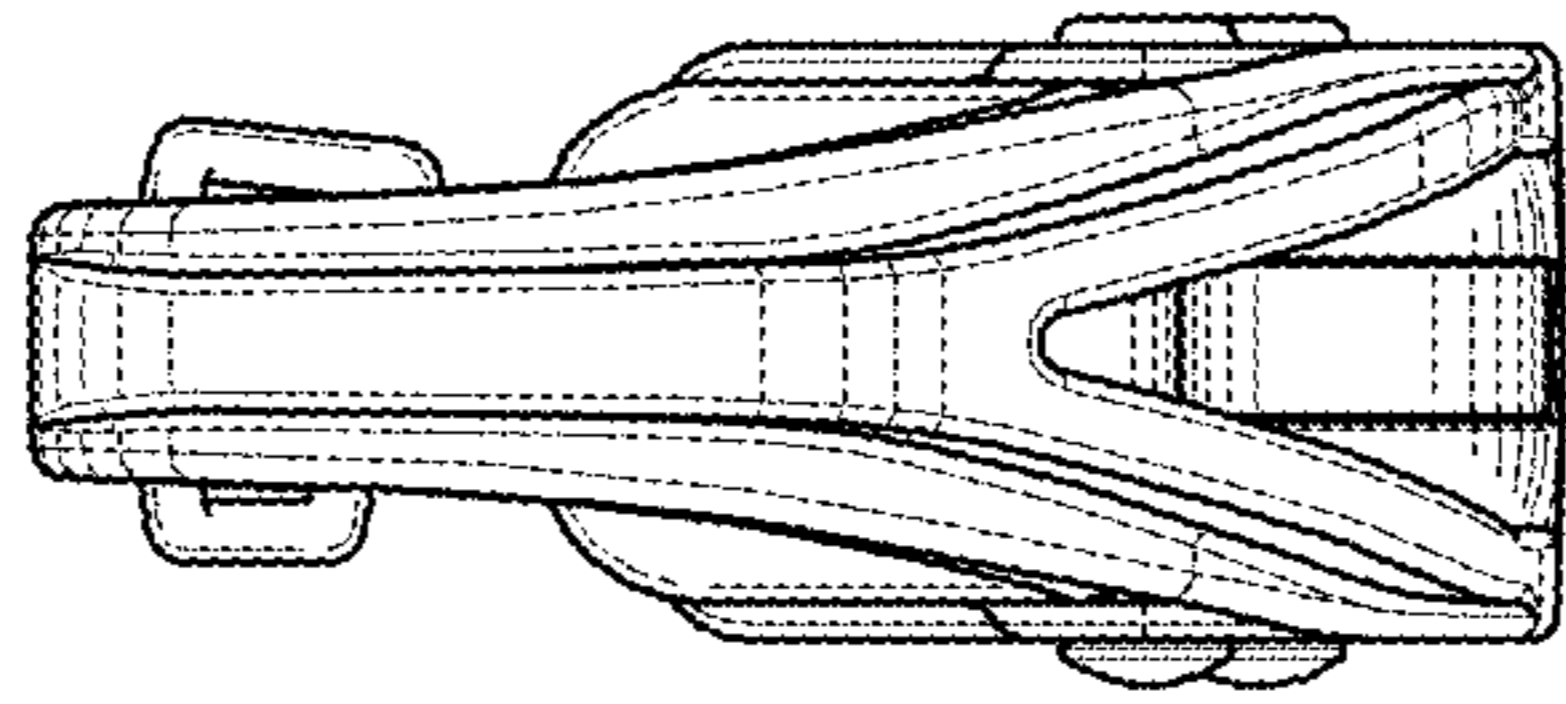


Fig. 6

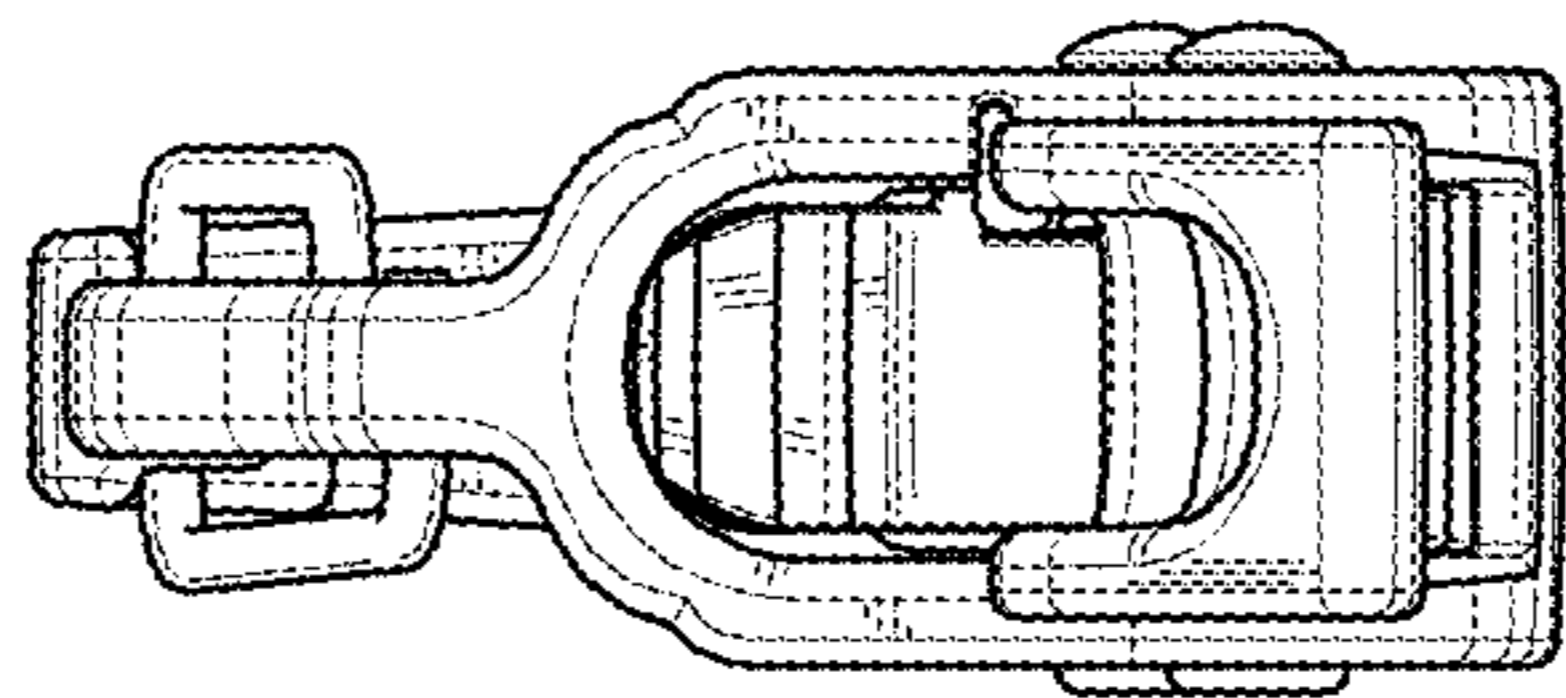


Fig. 7