



US00D972910S

(12) **United States Design Patent** (10) **Patent No.:** **US D972,910 S**
Yang (45) **Date of Patent:** **** Dec. 20, 2022**

(54) **GARDEN TOOL HANDLE**
(71) Applicant: **Metal Max Hardware Co., Limited,**
Zhongshan (CN)
(72) Inventor: **Sen Yang,** Zhongshan (CN)
(**) Term: **15 Years**

915,675 A * 3/1909 Hornberger F16B 2/08
403/192
953,364 A * 3/1910 Wankel B23B 31/1179
279/102
1,035,427 A * 8/1912 Donoghue B25G 1/105
29/445
1,074,891 A * 10/1913 Osgood B25G 3/04
279/102

(Continued)

(21) Appl. No.: **29/849,590**
(22) Filed: **Aug. 12, 2022**

(30) **Foreign Application Priority Data**

Apr. 25, 2022 (CN) 202230238134.2

(51) **LOC (13) Cl.** **08-05**

(52) **U.S. Cl.**
USPC **D8/107**

(58) **Field of Classification Search**
USPC D8/300, 301, 306, 310, 315-321, 303,
D8/107, 94, 367, DIG. 1
CPC B23B 31/1179; Y10T 279/17957; Y10T
16/4644; Y10T 16/513; B25G 1/10;
B25G 1/00; A47B 95/02
See application file for complete search history.

(56) **References Cited**

U.S. PATENT DOCUMENTS

37,333 A * 1/1863 Clough B25G 1/00
81/492
73,804 A * 1/1868 Hatton B23B 31/1179
407/29.15
628,927 A * 7/1899 Ducharme B23B 31/1179
81/177.1
672,038 A * 4/1901 Jaquith B23B 31/1179
279/102
673,772 A * 5/1901 Hall B25D 1/02
403/334
726,288 A * 4/1903 Hendrick B25G 3/04
279/102
769,504 A * 9/1904 Southall B25G 3/04
279/43

OTHER PUBLICATIONS

Wooden File Handle with Strong Metal Collars for 4.0"-7.0" File (5 Pack) (Medium);ACCOCO;Amazon.com;Oct. 29,2017; Accessed Nov. 1, 2022; URL:<<https://www.amazon.com/dp/B076YY9496/>> (Year: 2017).*

(Continued)

Primary Examiner — Rachel A. Voorhies
Assistant Examiner — Benjamin D. Wannemacher
(74) *Attorney, Agent, or Firm* — Rumit Ranjit Kanakia

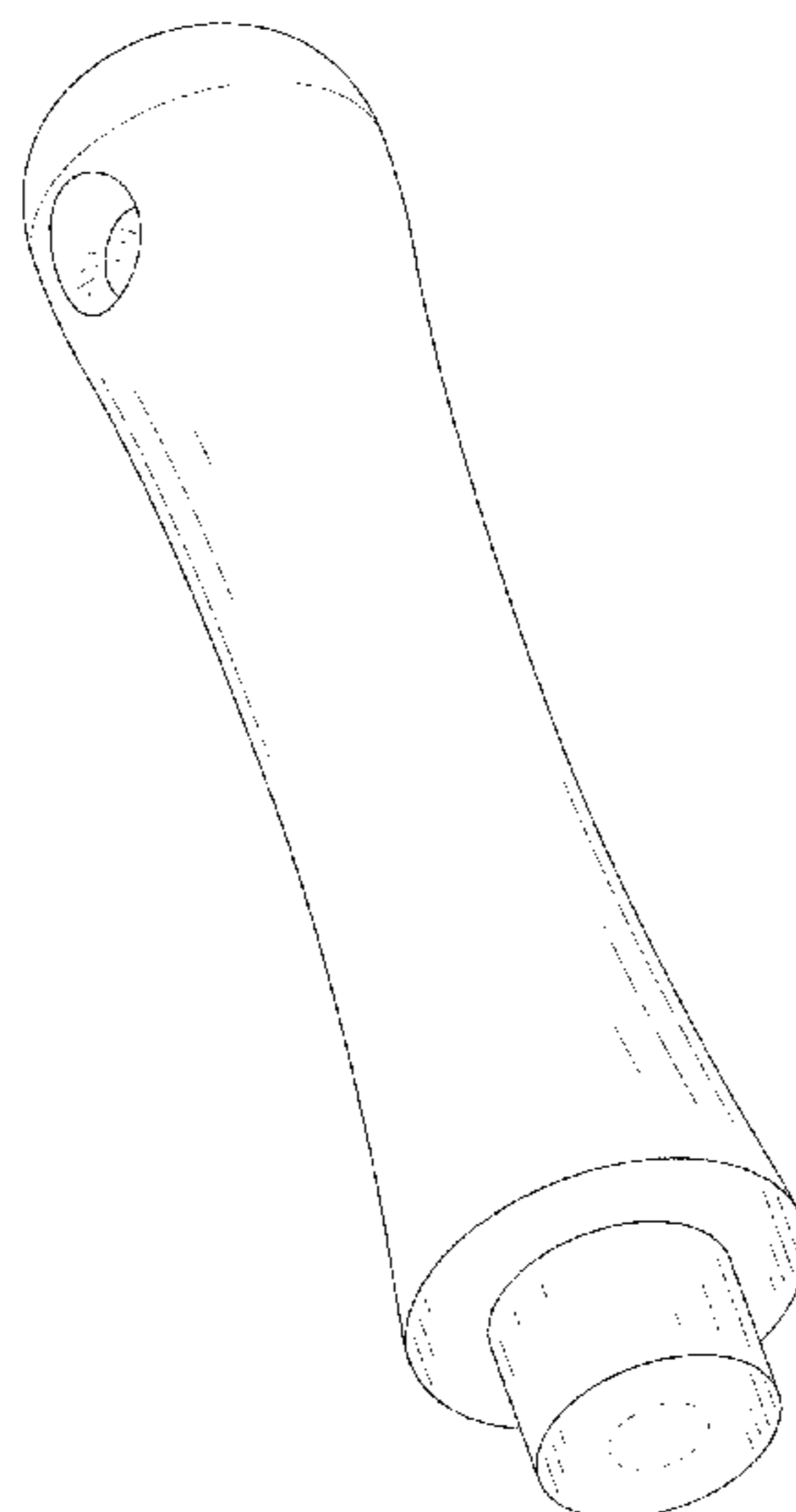
(57) **CLAIM**

The ornamental design for a garden tool handle, as shown and described.

DESCRIPTION

FIG. 1 is a first perspective view of a garden tool handle showing my new design;
FIG. 2 is a second perspective view thereof;
FIG. 3 is a front view thereof;
FIG. 4 is a back view thereof;
FIG. 5 is a left side view thereof;
FIG. 6 is a right side view thereof;
FIG. 7 is a top view thereof; and,
FIG. 8 is a bottom view thereof.
The broken lines shown in the drawings depict portions of the garden tool handle that form no part of the claimed design.

1 Claim, 8 Drawing Sheets



(56)

References Cited

U.S. PATENT DOCUMENTS

1,693,269	A *	11/1928	Clulee	B25G 1/105 7/144
1,694,559	A *	12/1928	Osgood	B25G 1/00 81/492
2,056,054	A *	9/1936	Osgood	B25G 1/102 407/29.15
3,232,355	A *	2/1966	Woolworth	A01B 1/227 16/DIG. 18
3,444,967	A *	5/1969	Lautin	A45C 13/26 D8/316
D282,710	S *	2/1986	Vosbikian	B25G 1/00 D7/395
D410,362	S *	6/1999	Lai	B23B 31/1179 D7/649
D411,726	S *	6/1999	Novak	B25G 3/04 D8/107
D411,780	S *	7/1999	Muller	B25G 1/105 D7/395
D437,918	S *	2/2001	Doughty	B25G 1/00 D23/250
D703,512	S	4/2014	Degnan	
D811,849	S	3/2018	Chou	
D852,021	S	6/2019	Magana et al.	
2006/0288531	A1 *	12/2006	Hu	B25G 1/085 16/111.1

OTHER PUBLICATIONS

Benchmark Abrasives Wood Handle for Files with Strong Metal Collars (8"-10"); Benchmark Abrasives; Amazon.com; Mar. 5, 2021; Accessed Nov. 1, 2022; URL:< <https://www.amazon.com/dp/B08VRSZBZW/?th=1> > (Year: 2021).*

* cited by examiner

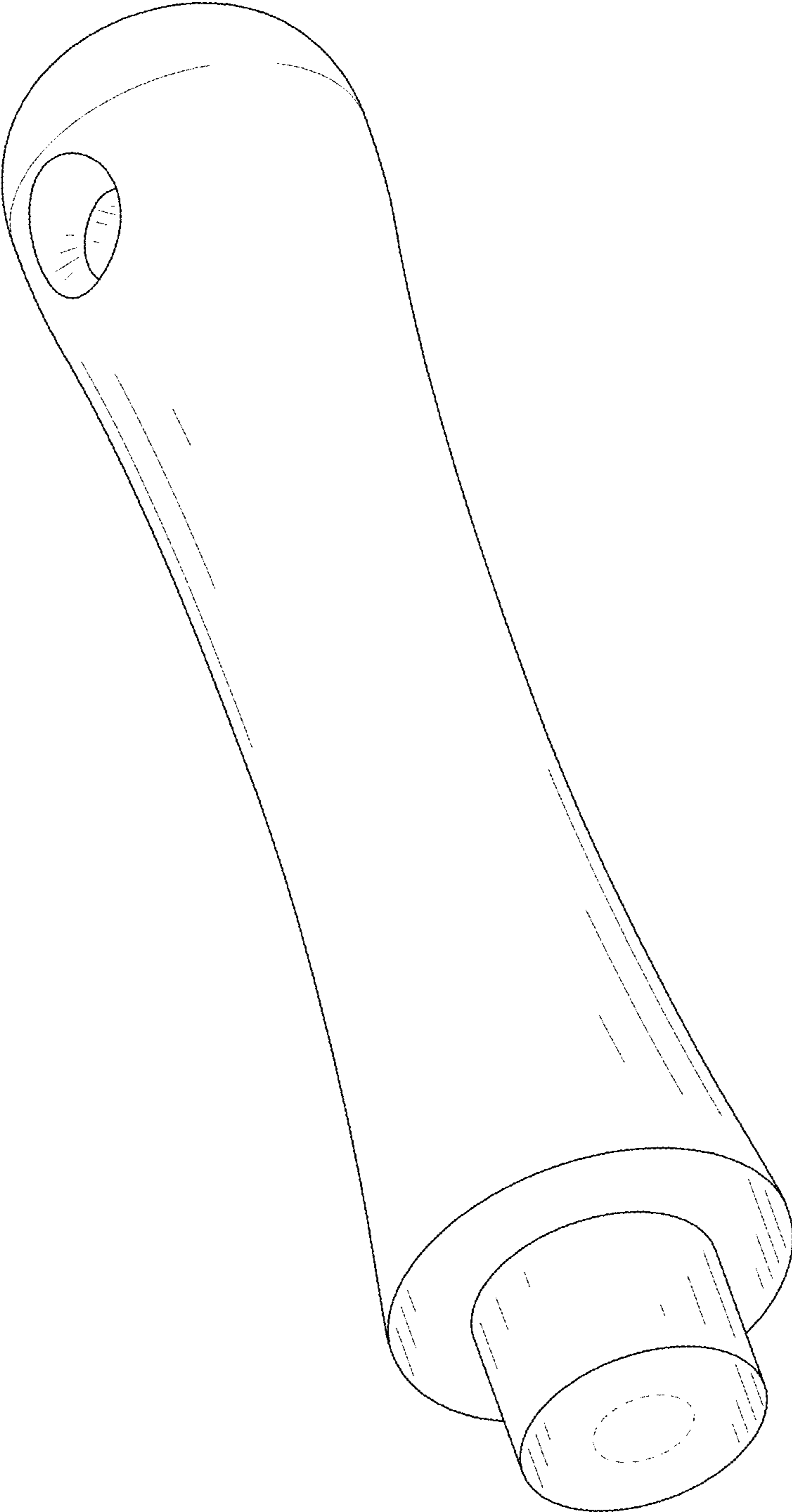


FIG. 1

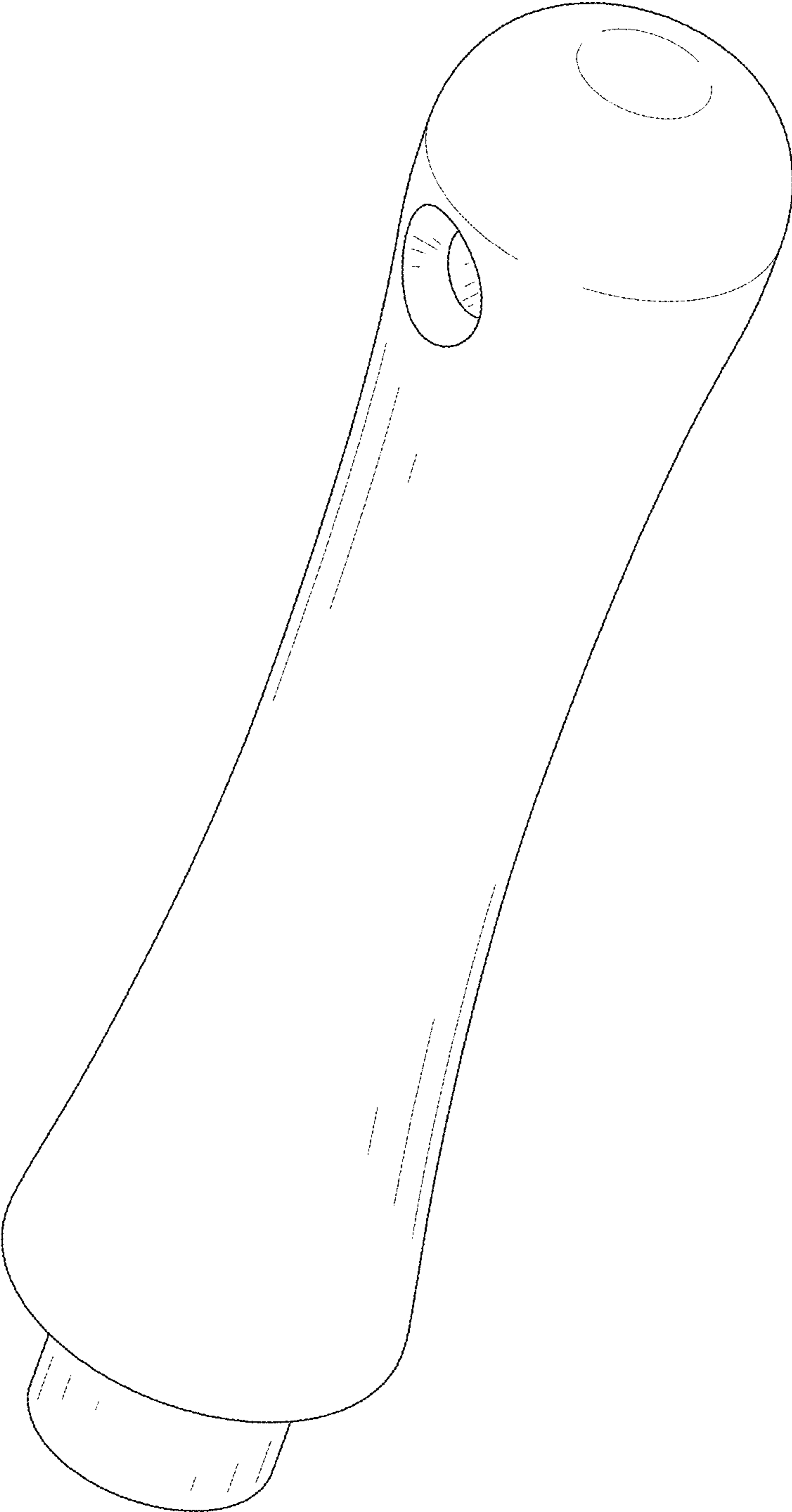


FIG. 2

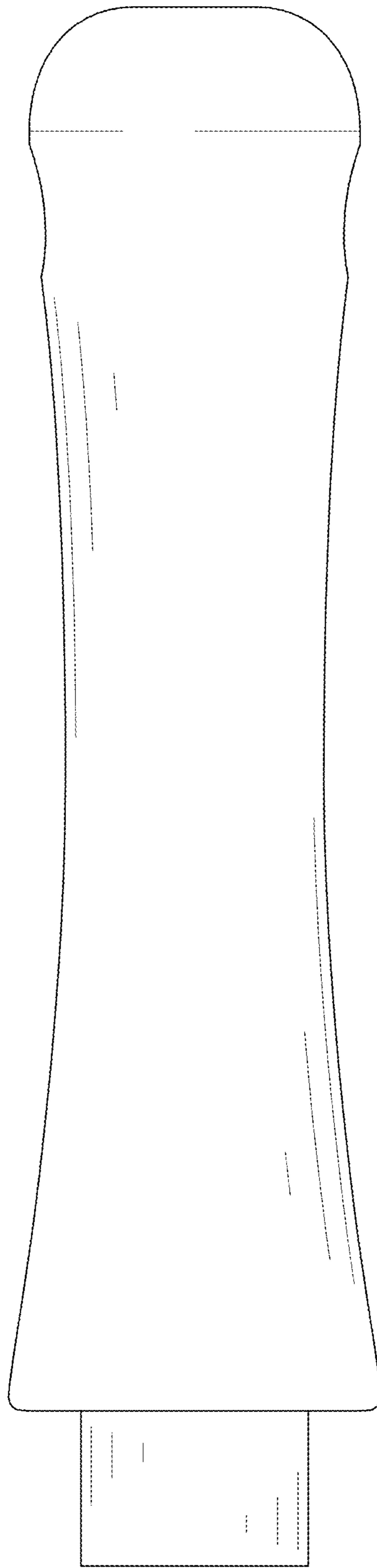


FIG. 3

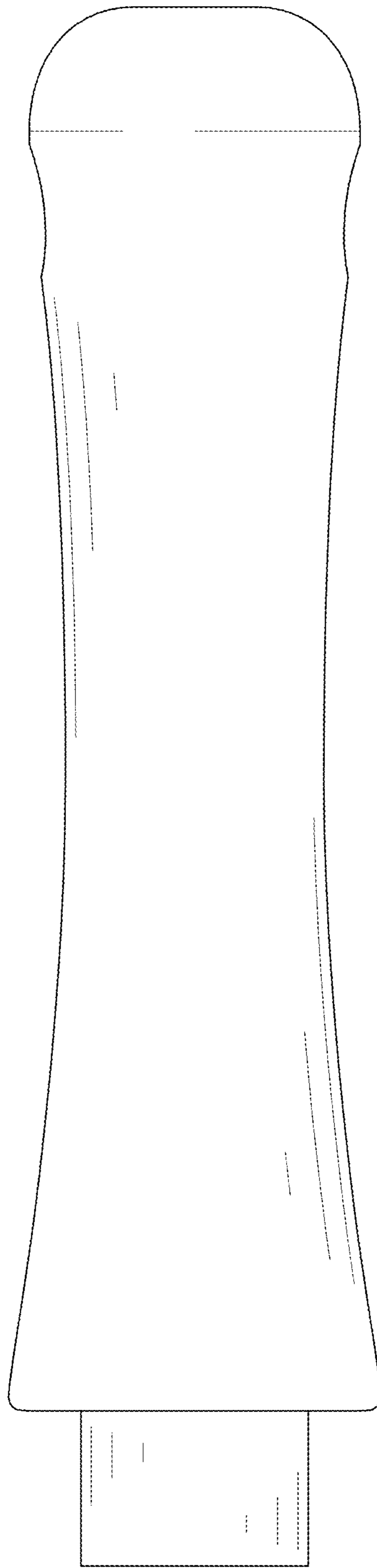


FIG. 4

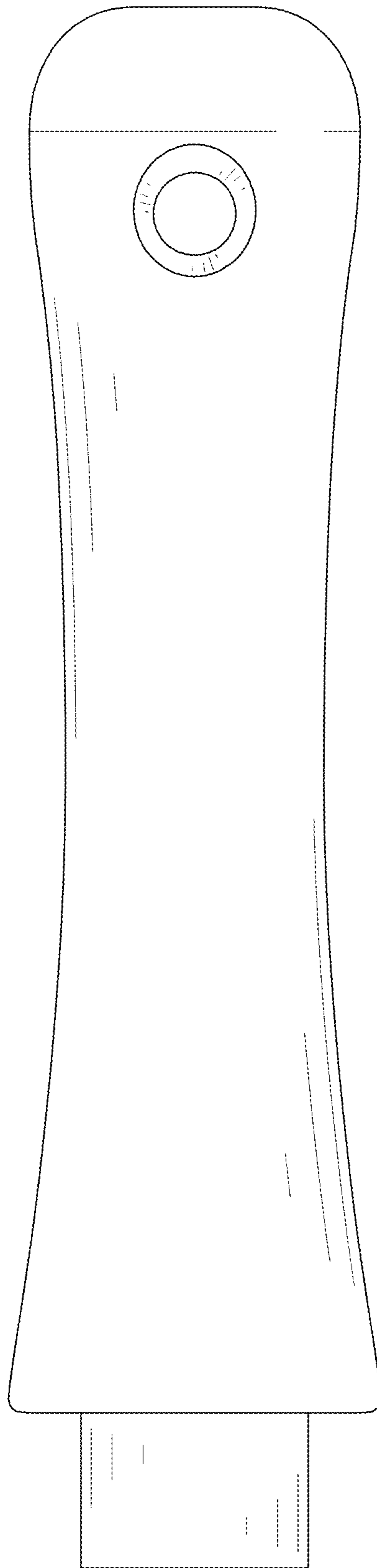


FIG. 5

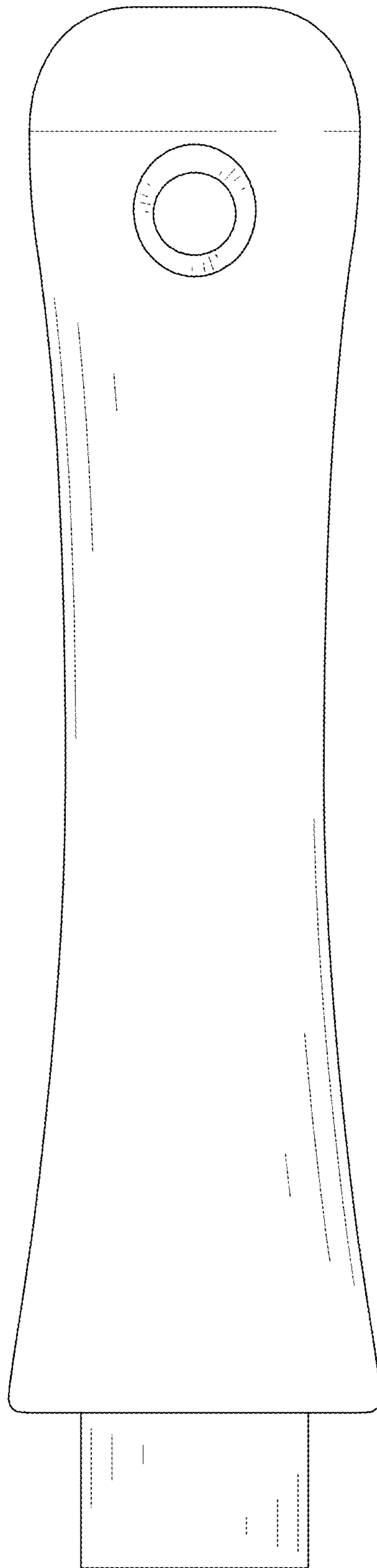


FIG. 6

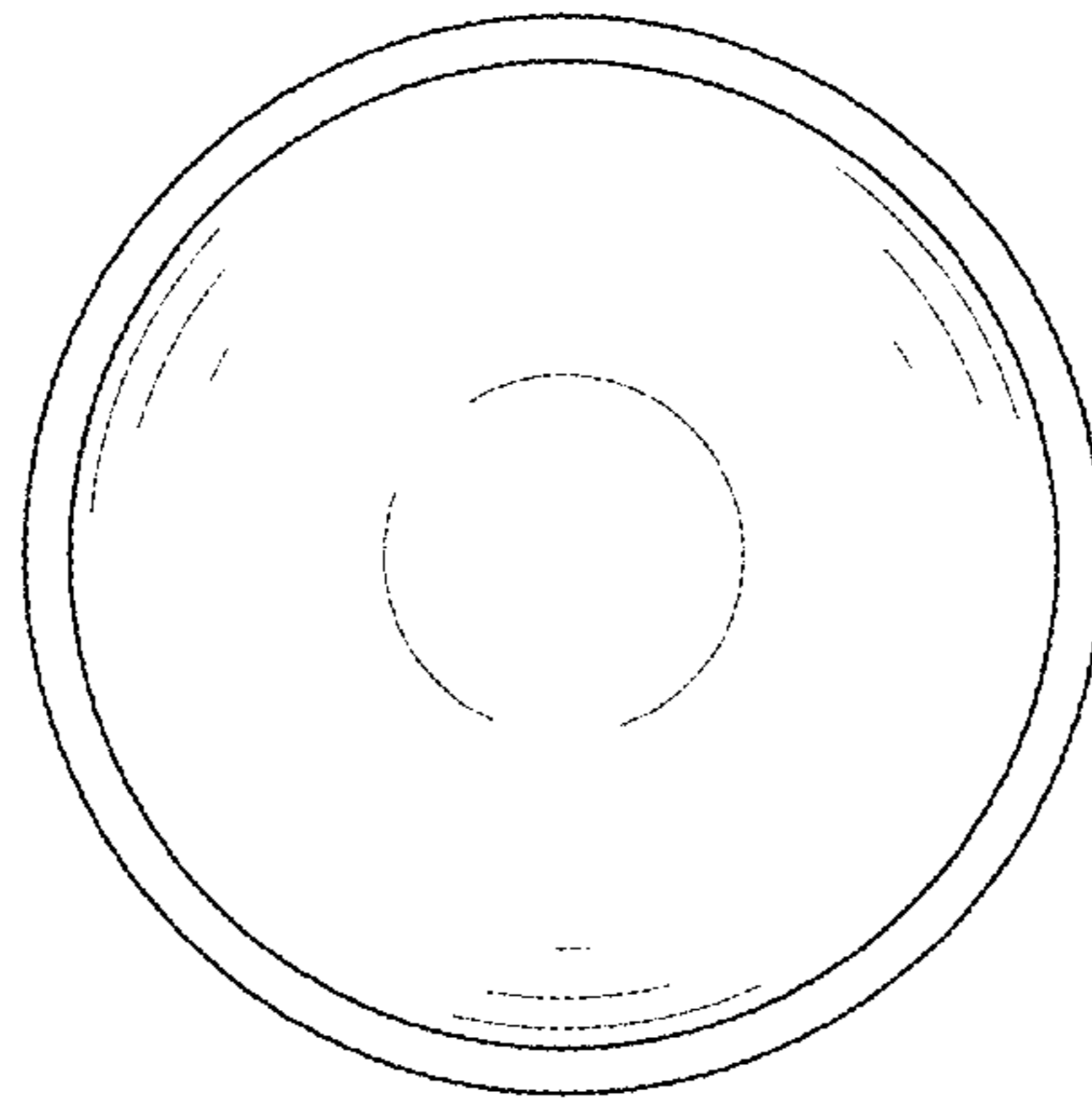


FIG. 7

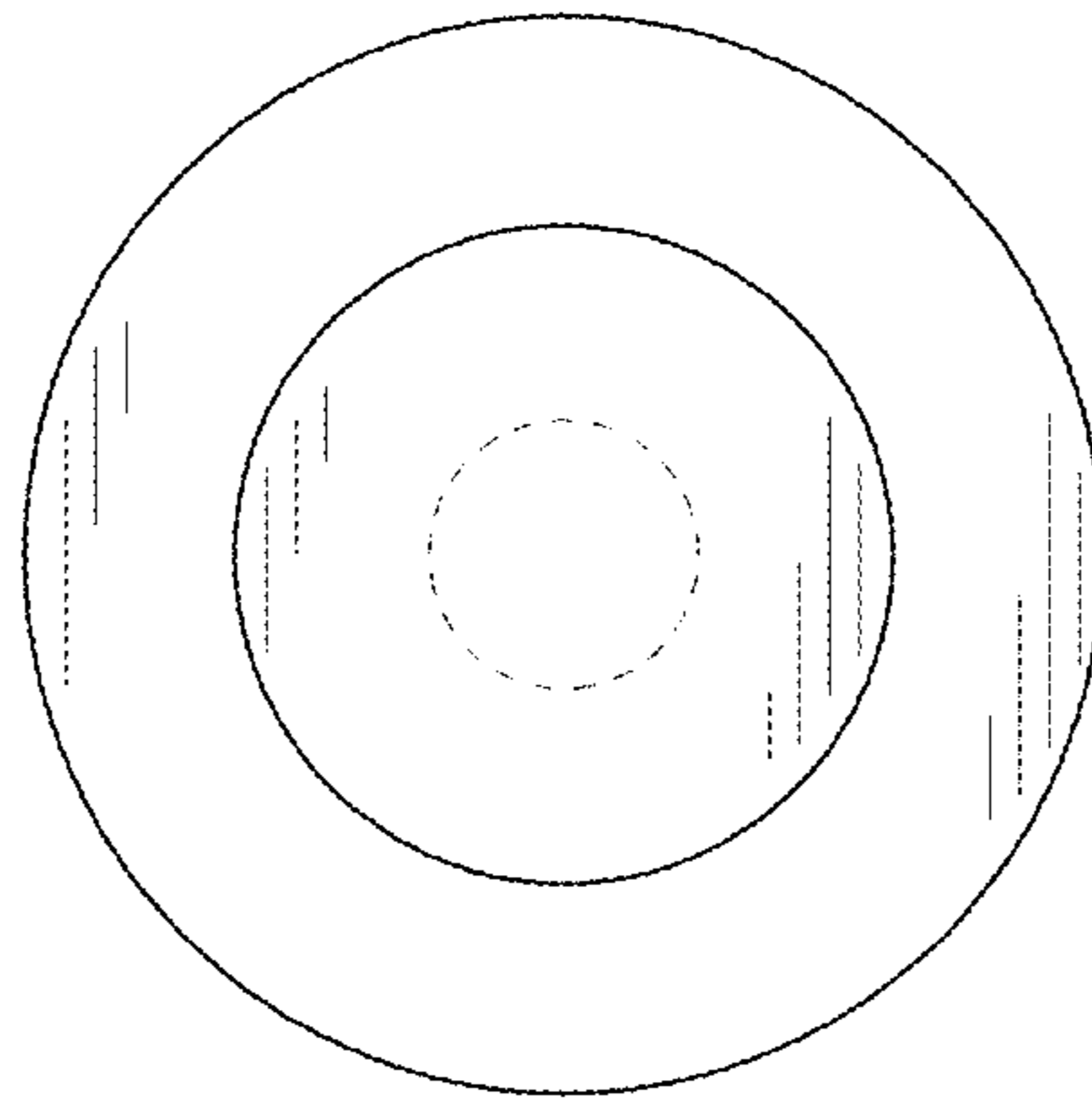


FIG. 8