



US00D972909S

(12) **United States Design Patent** (10) **Patent No.:** **US D972,909 S**
Lin (45) **Date of Patent:** **** Dec. 20, 2022**

(54) **CUTTER BLADE**
(71) Applicant: **CUTTWAY PRODUCTS CO., LTD.,**
Taichung (TW)
(72) Inventor: **Hsueh-Chu Lin,** Taichung (TW)
(73) Assignee: **CUTTWAY PRODUCTS CO., LTD.,**
Taichung (TW)
(**) Term: **15 Years**
(21) Appl. No.: **29/778,969**
(22) Filed: **Apr. 15, 2021**
(30) **Foreign Application Priority Data**

Oct. 15, 2020 (TW) 109305707

(51) **LOC (13) Cl.** **08-03**
(52) **U.S. Cl.**
USPC **D8/99**

(58) **Field of Classification Search**
USPC D8/98, 99, 100, 105, 107; D22/118
CPC B26B 5/001; B26B 5/003; B26B 11/00;
B26B 1/08; B26B 1/02; B26B 1/10;
B26B 1/04; B26B 1/042; B26B 1/048;
B26B 3/08; B26B 29/06
See application file for complete search history.

(56) **References Cited**
U.S. PATENT DOCUMENTS

D382,189 S * 8/1997 Viele D8/99
D385,173 S * 10/1997 McWillis D8/99
D387,966 S * 12/1997 Horn D8/99
D389,389 S * 1/1998 Glesser D8/99
D422,871 S * 4/2000 Terzuola D8/99
D425,390 S * 5/2000 Collins D8/99
D459,188 S * 6/2002 Gardiner D8/99
D753,459 S * 4/2016 Glesser D8/99

D756,192 S * 5/2016 Horvath D8/99
D808,494 S * 1/2018 Marfione B26B 1/044
D22/118
D811,191 S * 2/2018 Berenji D8/99
D816,457 S * 5/2018 Demko D8/99
D857,474 S * 8/2019 Lazenby D8/99
D896,054 S * 9/2020 Marfione D8/99
D918,689 S * 5/2021 Glesser D8/99
D918,690 S * 5/2021 Glesser D8/99
D919,400 S * 5/2021 Glesser B26B 1/044
D8/99
D919,401 S * 5/2021 Clinton D8/99
D920,073 S * 5/2021 Alexander B26B 1/044
D8/99
D922,849 S * 6/2021 Lai D8/99
D924,656 S * 7/2021 Marfione D8/99
D926,552 S * 8/2021 Peng D8/99
D961,353 S * 8/2022 Marfione D8/99

(Continued)

Primary Examiner — Philip S Hyder
(74) *Attorney, Agent, or Firm* — Muncy, Geissler, Olds & Lowe, P.C.

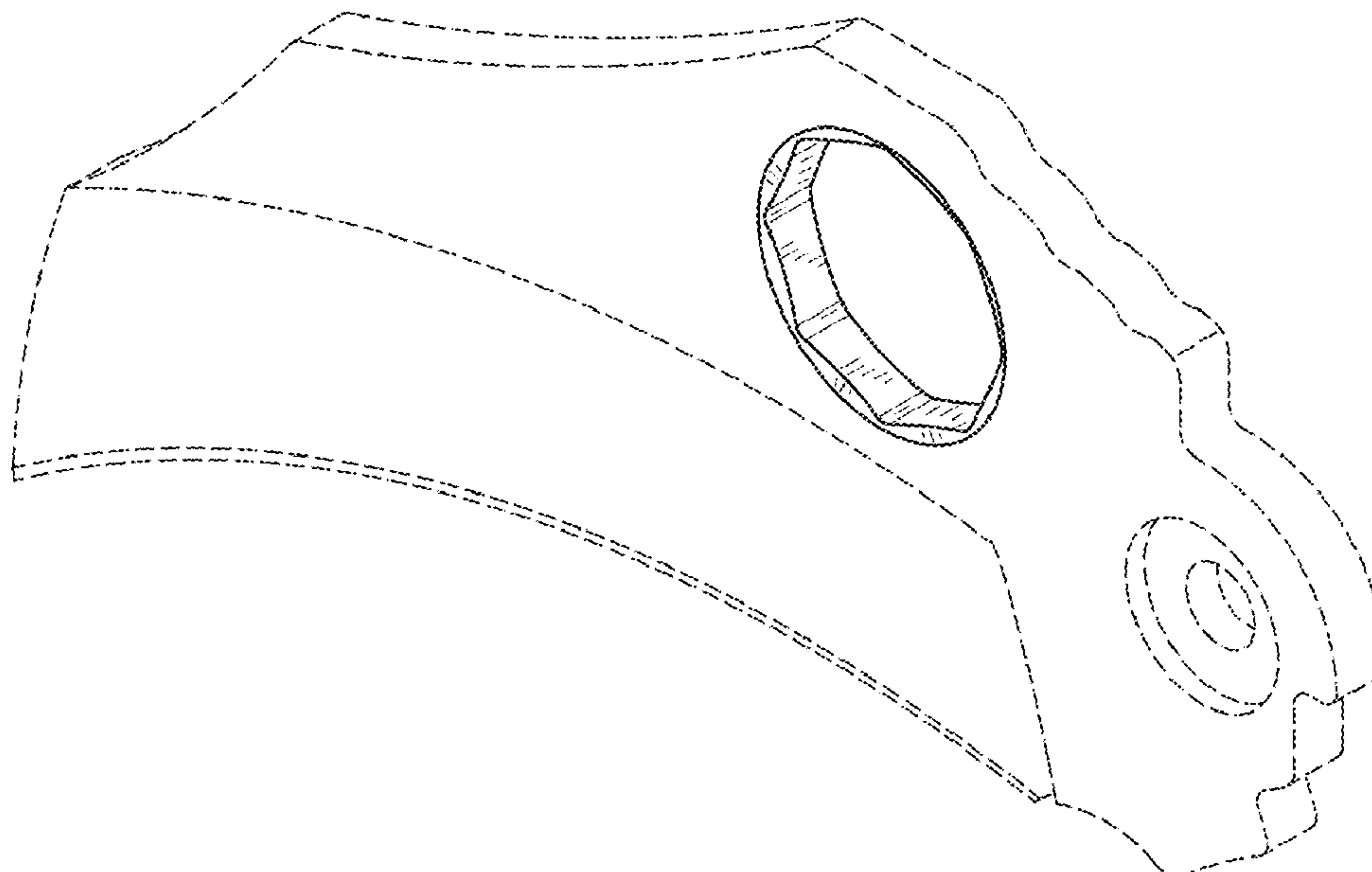
(57) **CLAIM**

The ornamental design for a cutter blade, as shown and described.

DESCRIPTION

FIG. 1 is a perspective view of a cutter blade of the present design;
FIG. 2 is a front view thereof;
FIG. 3 is a rear view thereof;
FIG. 4 is a left side elevational view thereof;
FIG. 5 is a right side elevational view thereof;
FIG. 6 is a top plan view thereof;
FIG. 7 is a bottom plan view thereof; and,
FIG. 8 is a sectional view taken along line A-A of FIG. 2.
The broken lines shown in FIGS. 1-8 illustrate portions of the cutter blade that form no part of the claimed design.

1 Claim, 4 Drawing Sheets



(56)

References Cited

U.S. PATENT DOCUMENTS

2018/0200897 A1* 7/2018 Alexander B26B 1/044
2020/0215705 A1* 7/2020 Glesser H02J 7/02

* cited by examiner

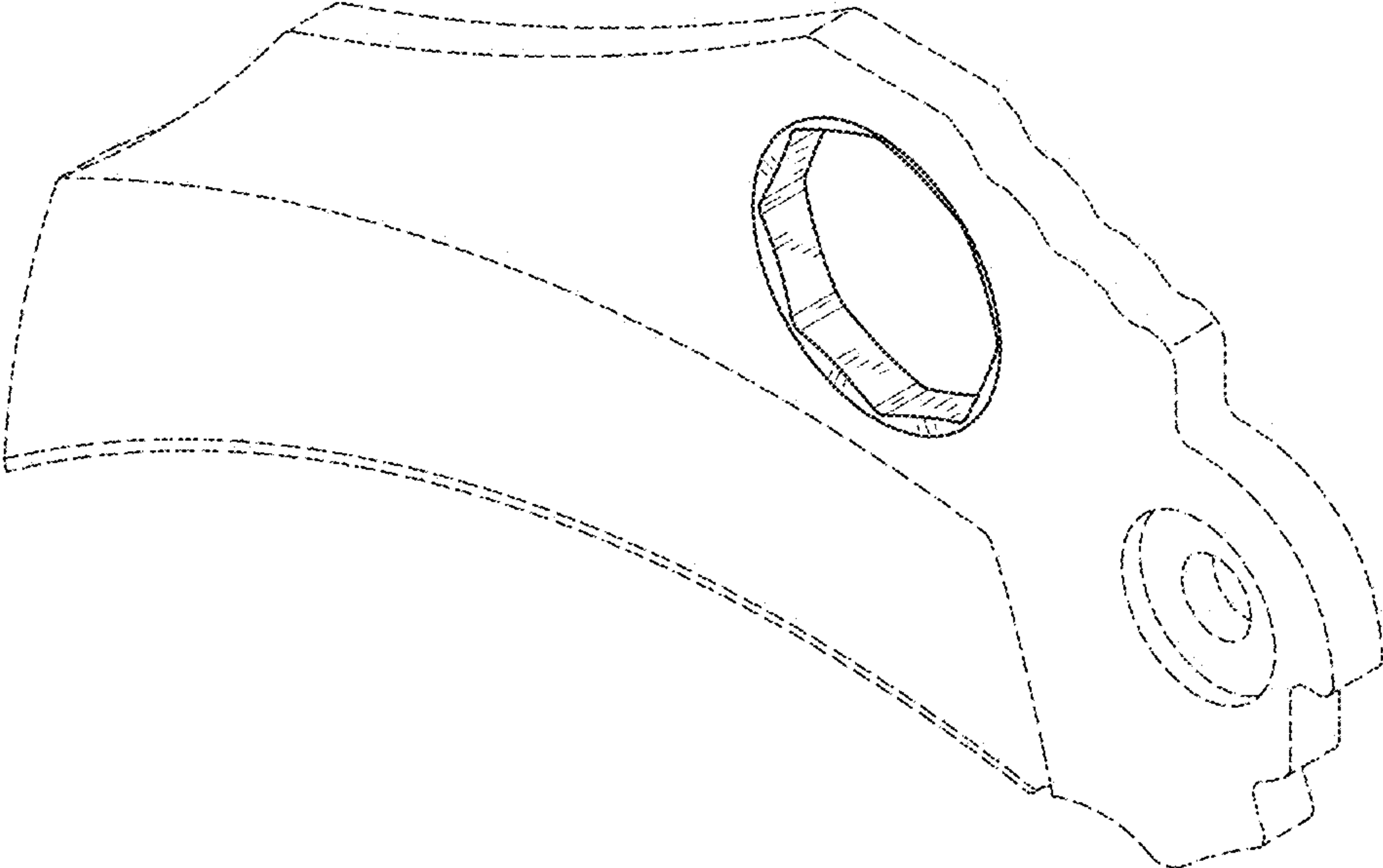


FIG. 1

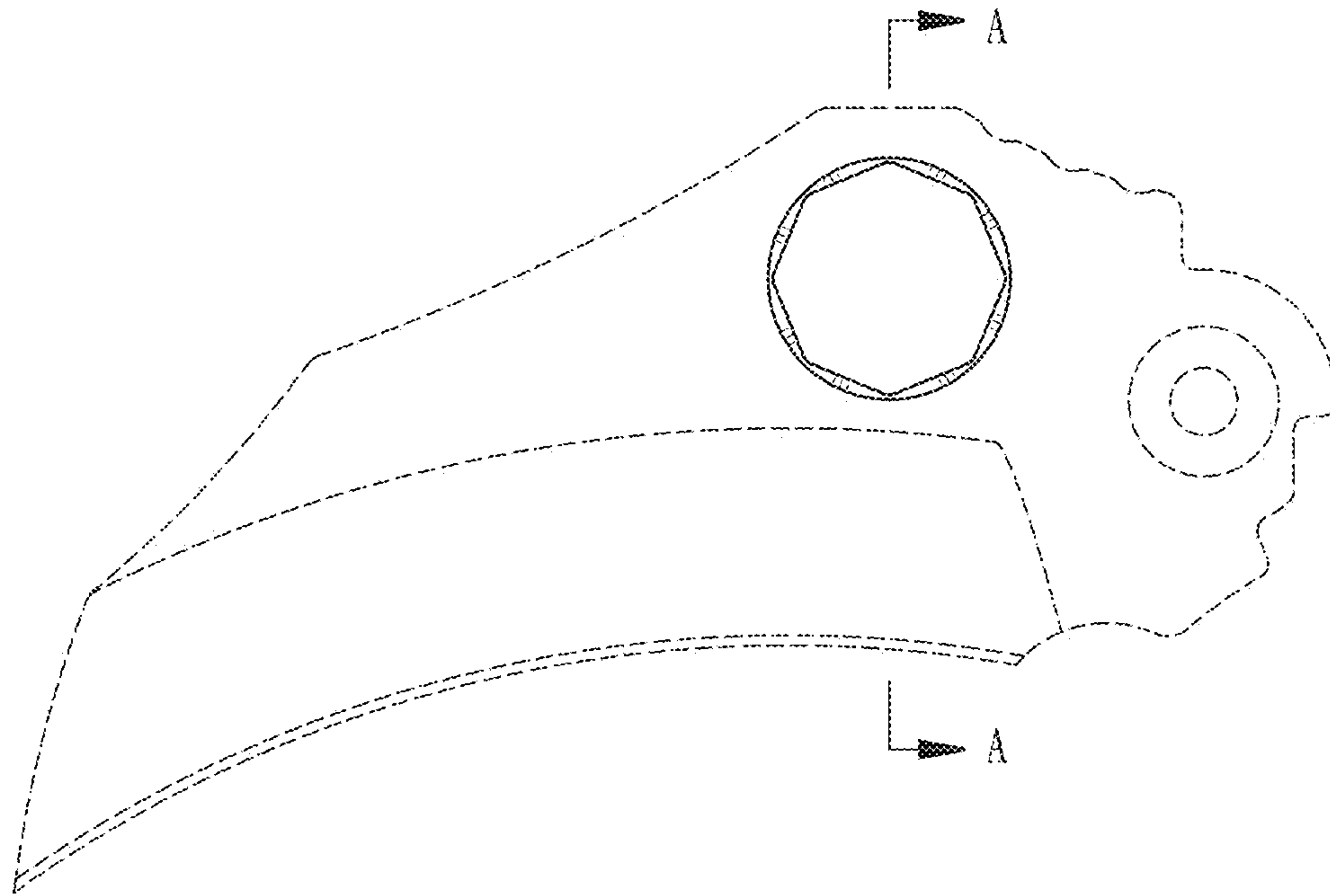


FIG. 2

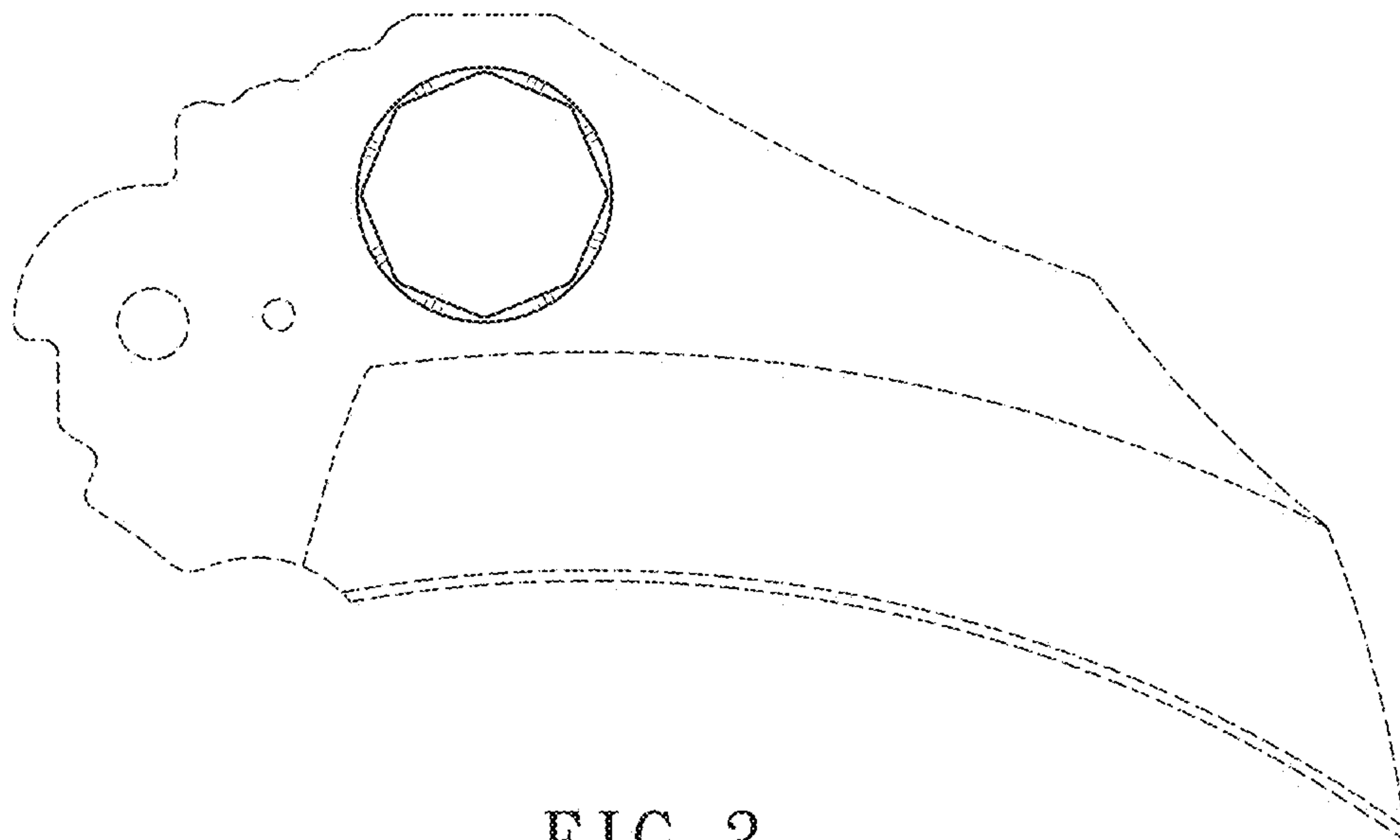


FIG. 3

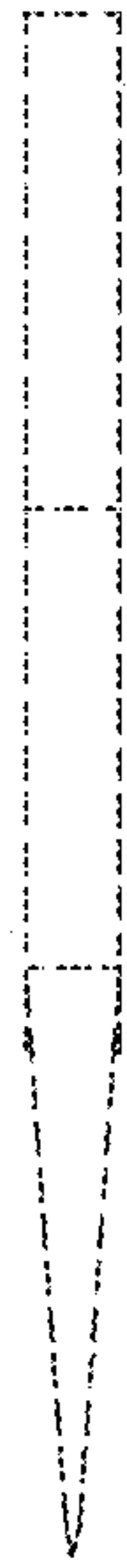


FIG. 4

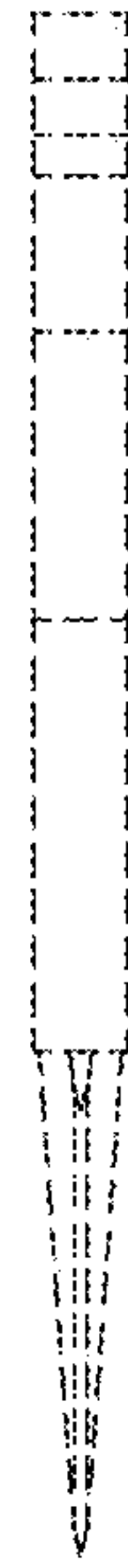


FIG. 5

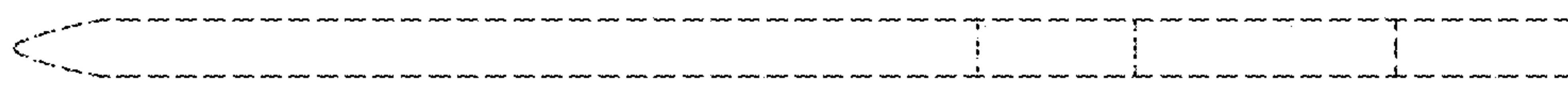


FIG. 6

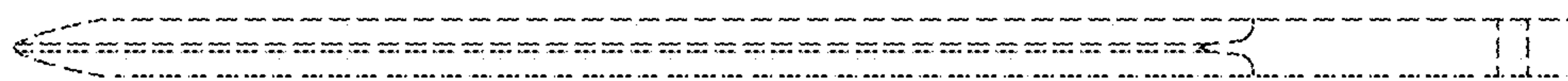


FIG. 7

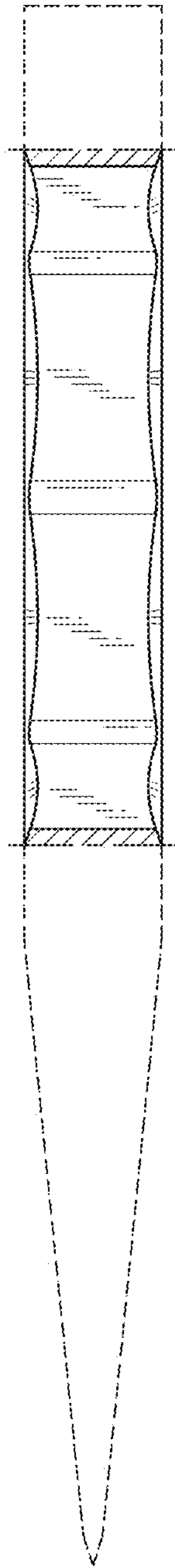


FIG. 8