



US00D972906S

(12) **United States Design Patent** (10) **Patent No.:** **US D972,906 S**  
**Li** (45) **Date of Patent:** **\*\* Dec. 20, 2022**

(54) **CHAINSAW**

OTHER PUBLICATIONS

(71) Applicant: **Shenzhen Chenguo Technology Co., Ltd.**, Shenzhen (CN)

ZNP Mini Chainsaw Cordless, Battery Powered Chainsaw, 6 inch Handheld Portable Chain Saw for Tree Pruning, Electric operated Small Chainsaw for Gardening); Amazon.com; Mar. 18, 2021; Accessed Jul. 19, 2022; URL:< <https://www.amazon.com/ZNP-Chainsaw-Cordless-Gardening-inch-Orange/dp/B08YQKG451?th=1> > (Year: 2021).\*

(72) Inventor: **Xiaowen Li**, Changsha (CN)

(\*\*) Term: **15 Years**

*Primary Examiner* — Rachel A. Voorhies  
*Assistant Examiner* — Benjamin D. Wannemacher

(21) Appl. No.: **29/804,252**

(22) Filed: **Aug. 19, 2021**

(51) **LOC (13) Cl.** ..... **08-03**

(52) **U.S. Cl.**  
USPC ..... **D8/65**

(58) **Field of Classification Search**  
USPC ... D8/1, 8, 9, 29.1, 29.2, 30, 61, 64, 65, 66, D8/67, 68, 69

CPC ..... A01D 34/416; A01D 34/4165; A01D 34/4161; A01D 34/4162; A01D 34/4163; A01D 34/78; A01D 34/90; A01G 3/08; A01G 3/085; A01G 3/086; B27B 17/0008; B27B 17/02; B23K 3/02; B23K 3/0315; B23K 3/0323; B23K 3/033; B23K 3/03; B23K 1/018

See application file for complete search history.

(56) **References Cited**

**U.S. PATENT DOCUMENTS**

D169,858 S \* 6/1953 Latimer ..... D8/65  
D171,449 S \* 2/1954 Hazzard ..... D8/65  
D171,547 S \* 2/1954 Latimer ..... D8/65  
2,703,928 A \* 3/1955 Southwick ..... A01G 3/08  
30/500  
2,810,409 A \* 10/1957 Ibelle ..... B27B 17/0016  
30/296.1

(Continued)

**FOREIGN PATENT DOCUMENTS**

CN 305508159 \* 12/2019  
CN 306357321 \* 3/2021

(Continued)

(57) **CLAIM**

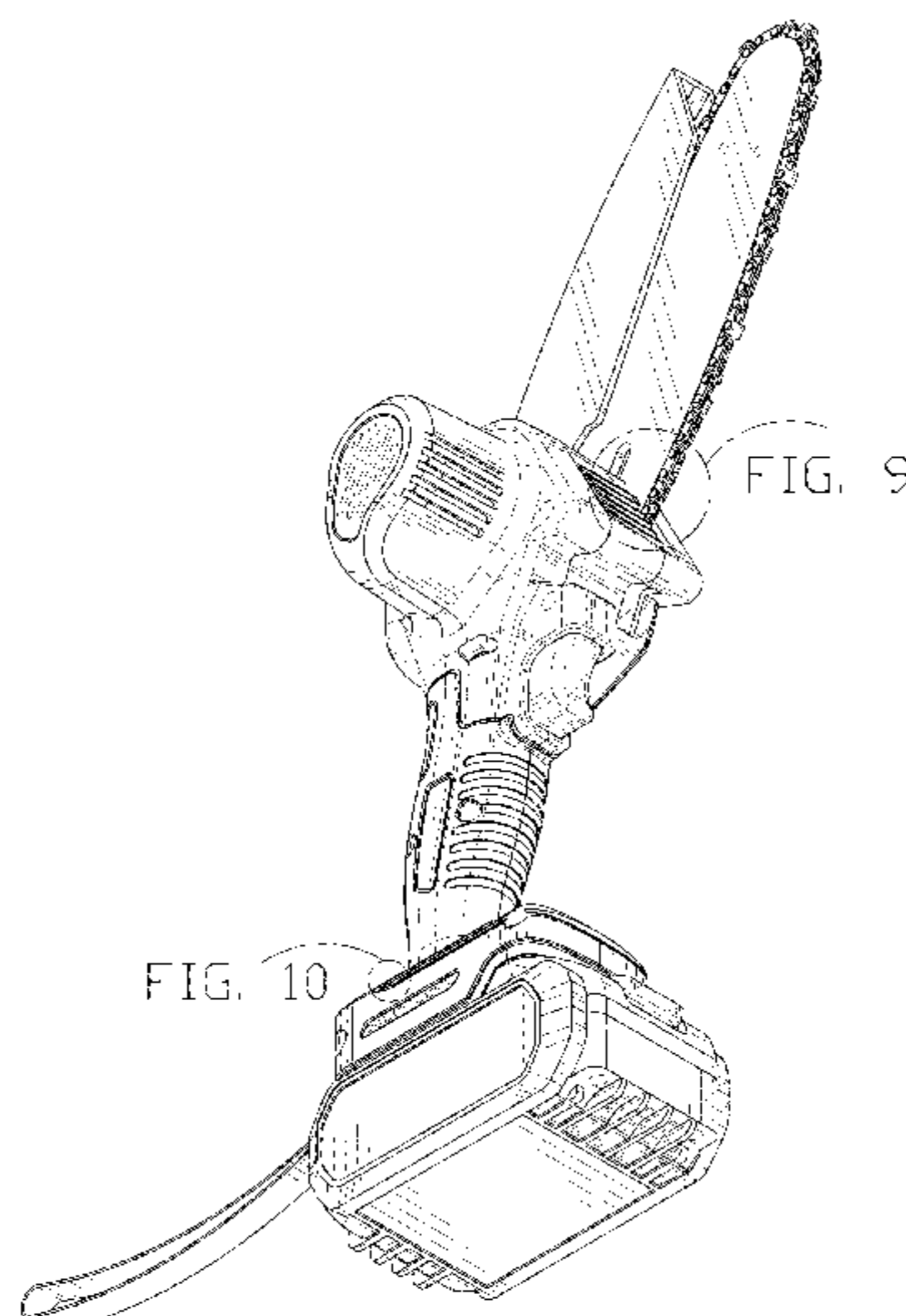
The ornamental design for a chainsaw, as shown and described.

**DESCRIPTION**

FIG. 1 is a front and bottom perspective view of a chainsaw, showing my new design;  
FIG. 2 is a rear and top perspective view thereof;  
FIG. 3 is a front elevation view thereof;  
FIG. 4 is a rear elevation view thereof;  
FIG. 5 is a left side elevation view thereof;  
FIG. 6 is a right side elevation view thereof;  
FIG. 7 is a top plan view thereof;  
FIG. 8 is a bottom plan view thereof;  
FIG. 9 is an enlarged view of a portion labeled, 'FIG. 9' in FIG. 1; and,  
FIG. 10 is an enlarged view of a portion labeled, 'FIG. 10' in FIG. 1.

The broken lines in the figures illustrate portions of the chainsaw that form no part of the claimed design. The dot-dash broken line circles depict the limits of the enlarged views and form no part of the claimed design. The dot-dash lead lines in FIG. 1 labeled FIGS. 9 and 10 indicate the areas from which the enlargements in FIGS. 9 and 10 are taken and form no part of the claimed design.

**1 Claim, 10 Drawing Sheets**



(56)

References Cited

U.S. PATENT DOCUMENTS

2,832,136 A \* 4/1958 Trecker ..... A01G 3/086  
30/371  
D193,828 S \* 10/1962 Burns ..... D8/65  
D223,600 S \* 5/1972 Averitt ..... D8/65  
3,731,380 A \* 5/1973 Mathiesen ..... B27B 17/0008  
30/381  
3,731,382 A \* 5/1973 Wroe ..... A01G 3/08  
30/381  
D237,352 S \* 10/1975 Shymkus ..... D8/68  
D243,742 S \* 3/1977 House, II ..... D8/69  
D255,770 S \* 7/1980 Asamoto ..... D8/65  
D258,299 S \* 2/1981 Klawitter ..... D21/532  
4,785,540 A \* 11/1988 Arvidsson ..... B27B 17/0008  
30/514  
4,807,366 A \* 2/1989 Masato ..... B27B 17/0008  
30/381  
4,841,641 A \* 6/1989 Laidlaw ..... B27G 19/003  
30/382  
4,999,917 A \* 3/1991 Neville ..... A01G 3/08  
30/296.1  
D325,330 S \* 4/1992 Barnhill ..... D8/65  
D325,859 S \* 5/1992 Yokota ..... B27B 17/0008  
D8/65  
D341,536 S \* 11/1993 Fukuda ..... D8/64  
D346,099 S \* 4/1994 Vossoughi ..... D8/8  
5,685,080 A \* 11/1997 Amano ..... B27B 17/08  
30/DIG. 1  
D389,026 S \* 1/1998 Amano ..... D8/65  
5,819,418 A \* 10/1998 Uhl ..... A01G 3/08  
30/296.1  
D408,246 S \* 4/1999 Juratovac ..... D8/65  
D408,247 S \* 4/1999 Juratovac ..... D8/65  
5,926,961 A \* 7/1999 Uhl ..... B27B 17/0008  
30/296.1  
6,112,419 A \* 9/2000 Uhl ..... B27B 17/0008  
30/381  
6,182,367 B1 \* 2/2001 Janczak ..... A01G 3/053  
30/296.1  
D440,851 S \* 4/2001 Sakai ..... D8/69  
D473,771 S \* 4/2003 Hayakawa ..... D8/64

D481,601 S \* 11/2003 Ashfield ..... B27B 17/0008  
D8/65  
6,820,338 B2 \* 11/2004 Lin ..... B26B 7/00  
30/DIG. 1  
D500,651 S \* 1/2005 Andriolo ..... D8/64  
7,152,328 B2 \* 12/2006 Champlin ..... B27B 17/0008  
30/296.1  
D536,590 S \* 2/2007 Busschaert ..... D8/65  
D537,313 S \* 2/2007 Klingbeil ..... D8/65  
D559,644 S \* 1/2008 Kuroyanagi ..... D8/66  
D566,505 S \* 4/2008 Gieske ..... D8/65  
D575,605 S \* 8/2008 Yamamoto ..... D8/65  
8,136,254 B2 \* 3/2012 Gieske ..... A01G 3/08  
16/427  
D745,353 S \* 12/2015 Pickett ..... D8/65  
D767,962 S \* 10/2016 Schoch ..... D8/65  
9,591,809 B2 \* 3/2017 Gieske ..... B25G 3/12  
D799,917 S \* 10/2017 Mehra ..... D8/8  
D799,918 S \* 10/2017 Mehra ..... D8/8  
10,259,135 B2 \* 4/2019 Pellenc ..... B27B 17/0008  
D897,175 S 9/2020 Kuang et al.  
D932,268 S \* 10/2021 Fang ..... D8/65  
11,343,973 B2 \* 5/2022 McCue ..... B27B 17/0008  
D957,225 S \* 7/2022 Song ..... D8/65  
2005/0086813 A1 \* 4/2005 Champlin ..... A01G 3/08  
30/296.1  
2006/0048397 A1 \* 3/2006 King ..... B25F 5/02  
30/296.1  
2007/0017105 A1 \* 1/2007 Dahlberg ..... A01G 3/08  
30/296.1  
2008/0196256 A1 \* 8/2008 Gieske ..... A01G 3/08  
30/296.1  
2009/0119933 A1 \* 5/2009 Mace ..... B23D 57/023  
30/277.4  
2012/0228041 A1 \* 9/2012 Borinato ..... A01D 34/78  
180/65.8  
2017/0239835 A1 \* 8/2017 Ebner ..... B27B 17/12

FOREIGN PATENT DOCUMENTS

CN 306419061 \* 3/2021  
CN 307415535 \* 6/2022  
GB 6130651 \* 4/2021  
GB 6139857 \* 5/2021

\* cited by examiner

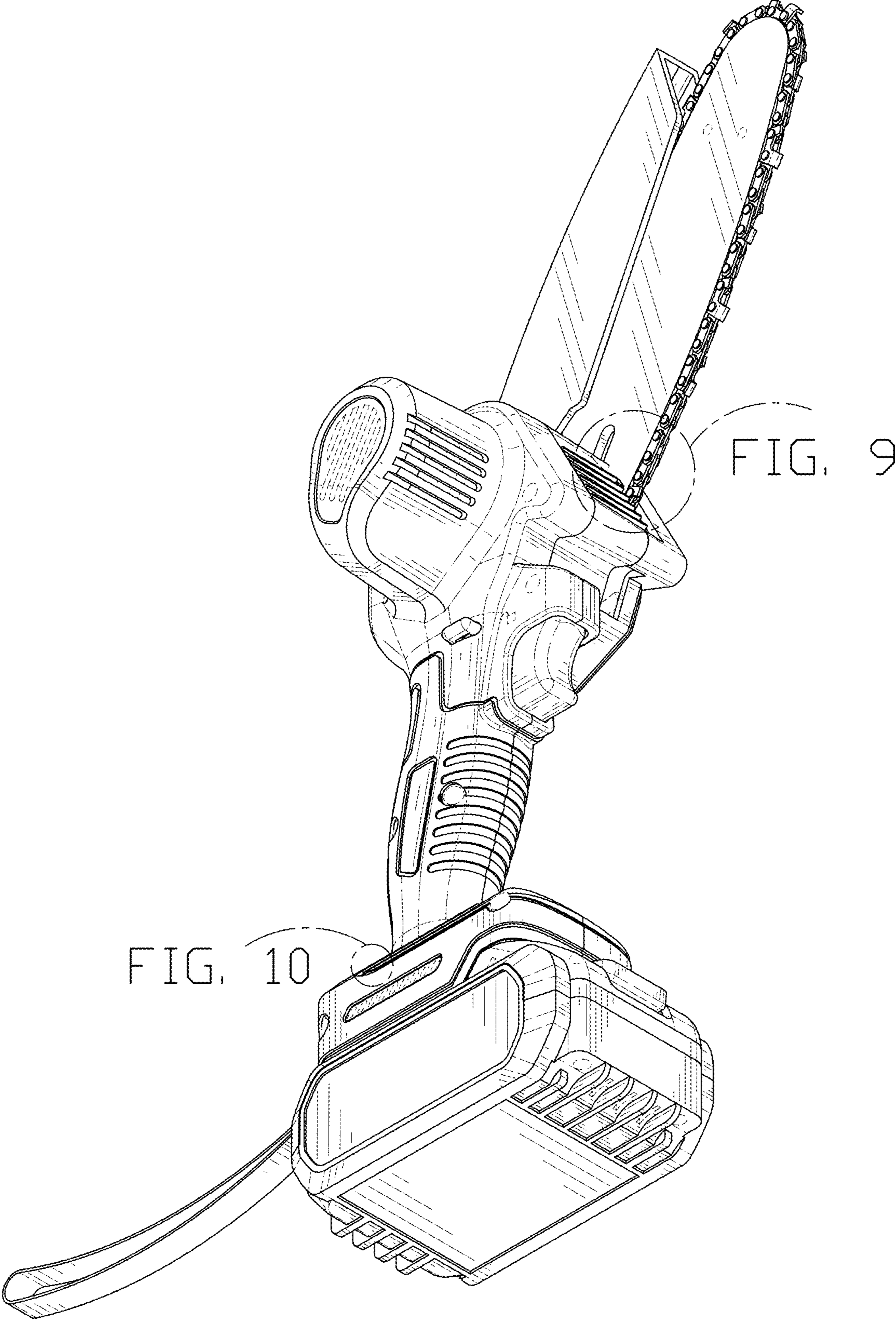


FIG. 10

FIG. 9

FIG. 1

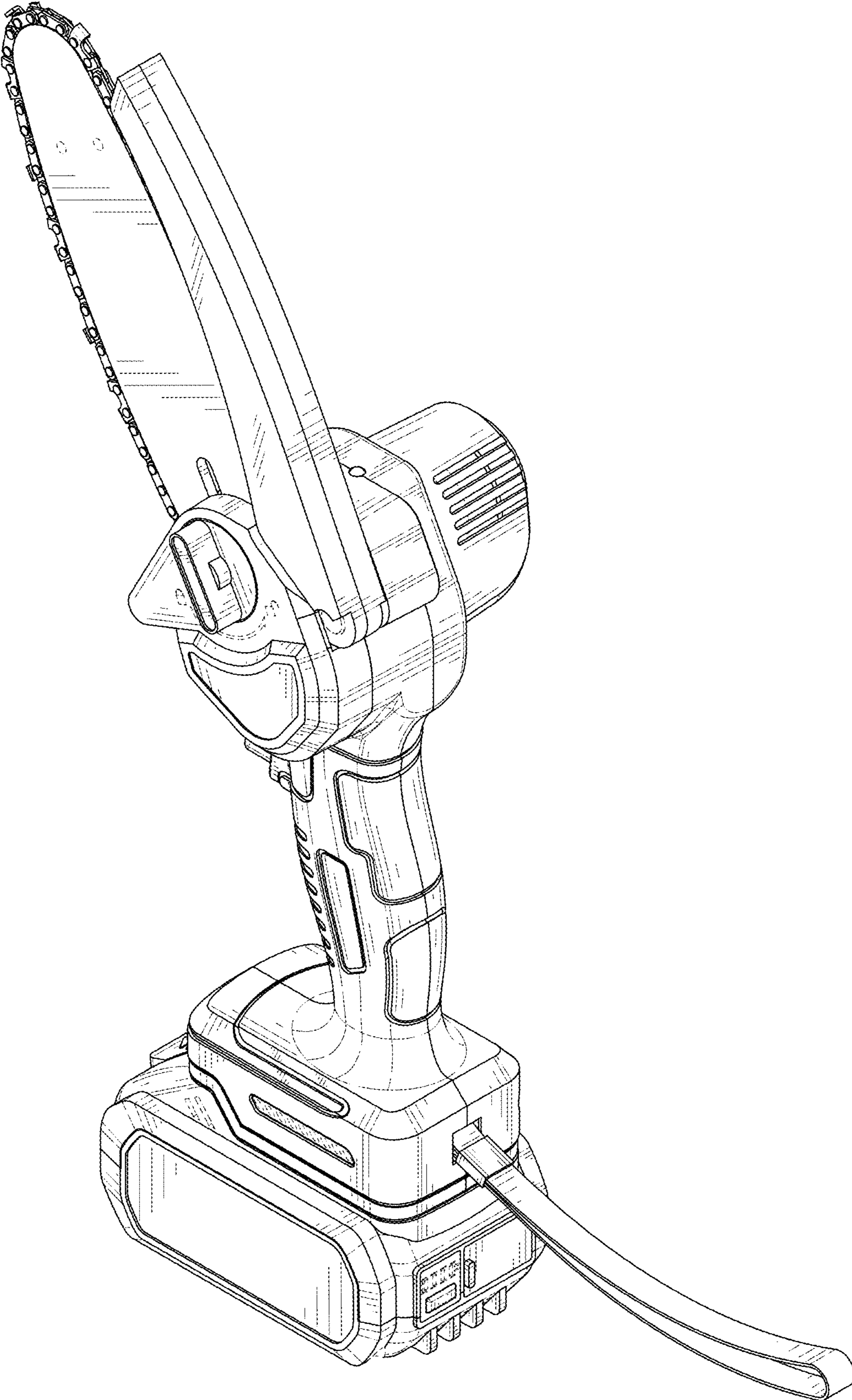


FIG. 2

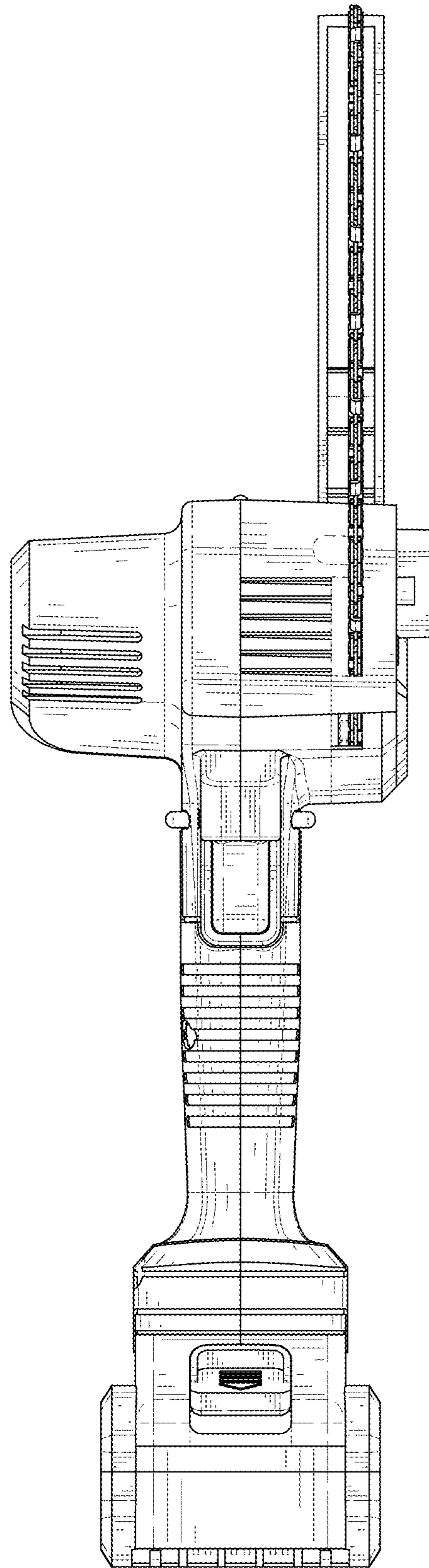


FIG. 3

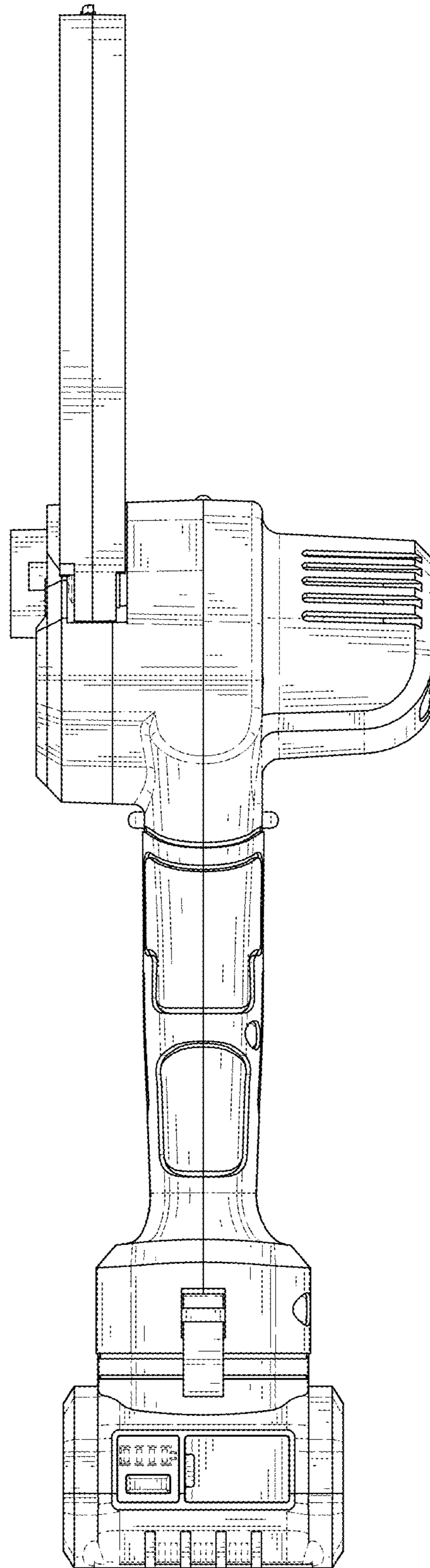


FIG. 4

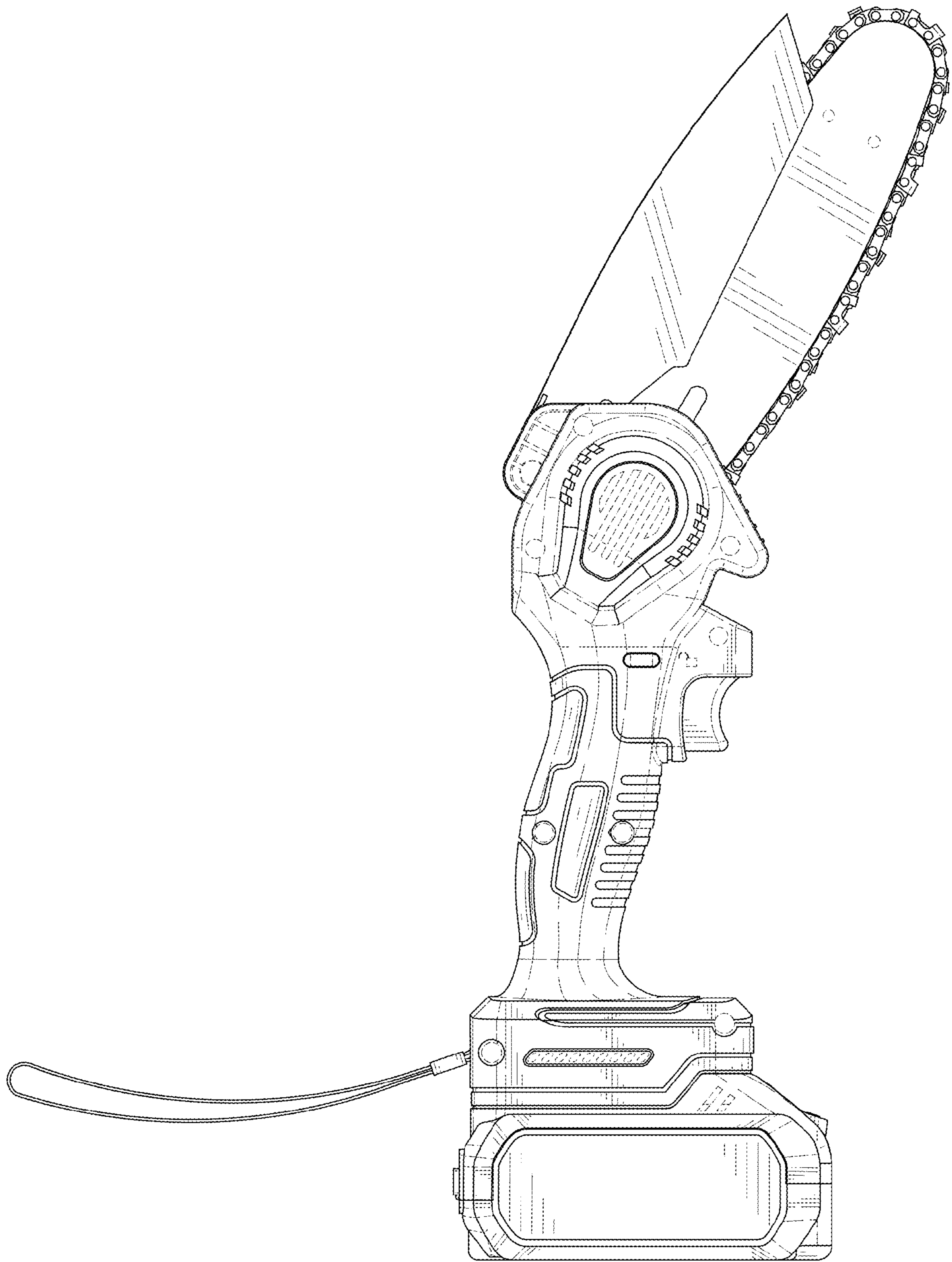


FIG. 5

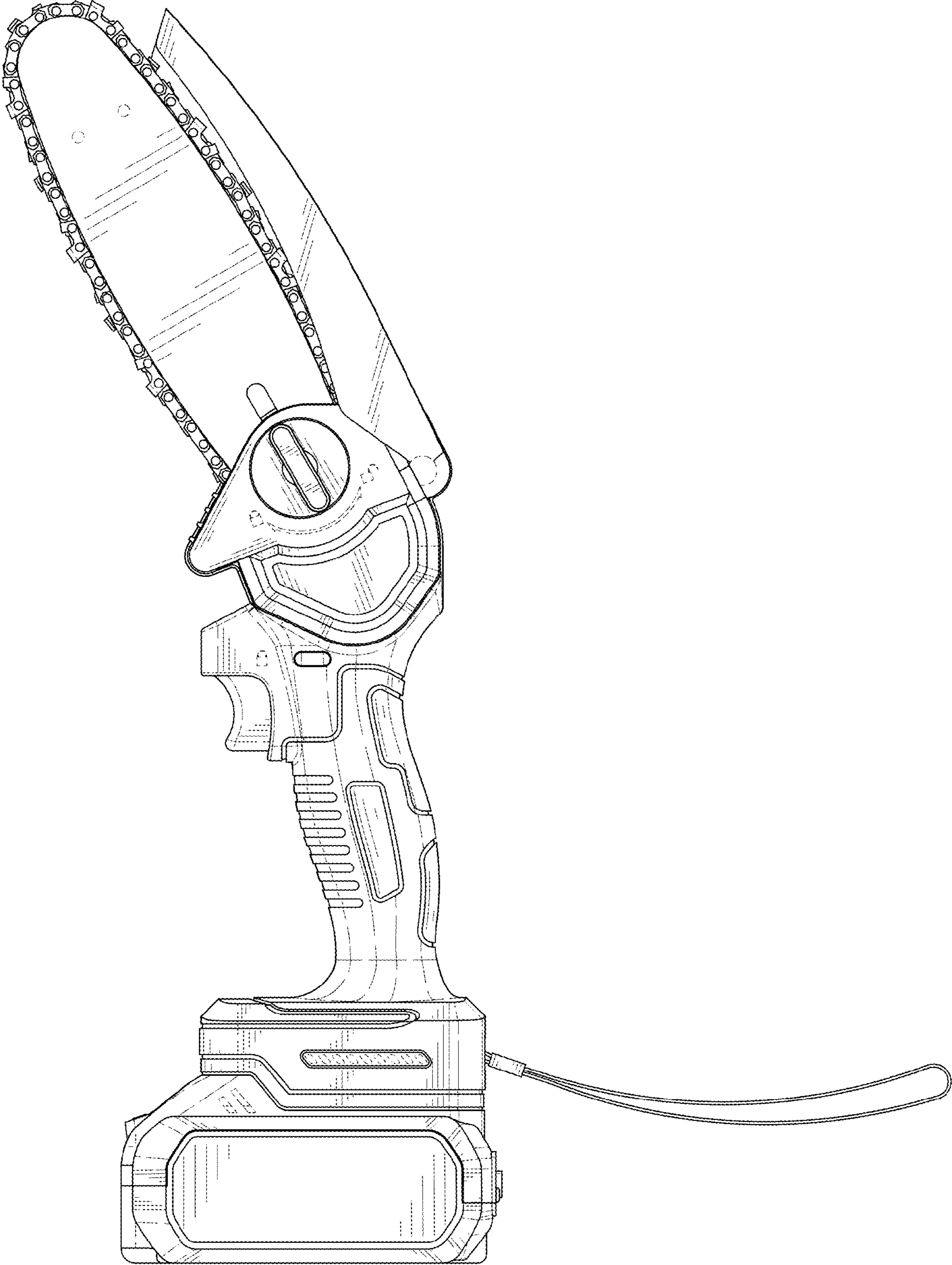


FIG. 6



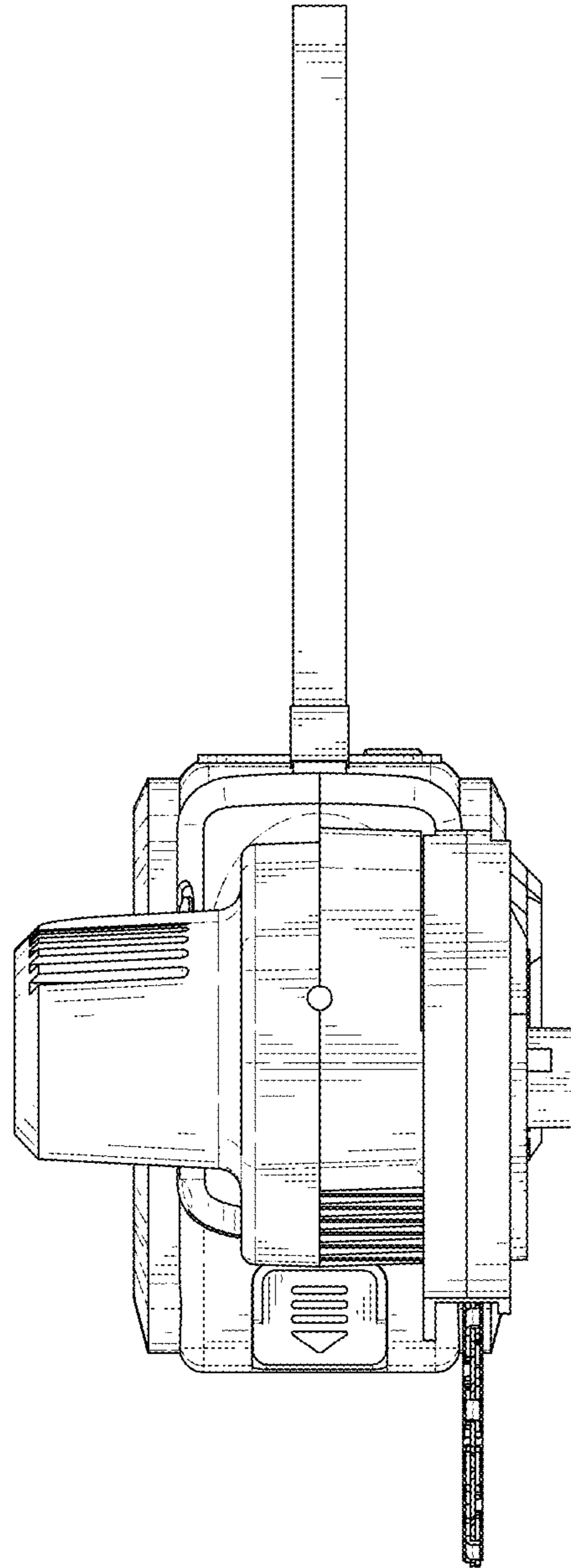


FIG. 7

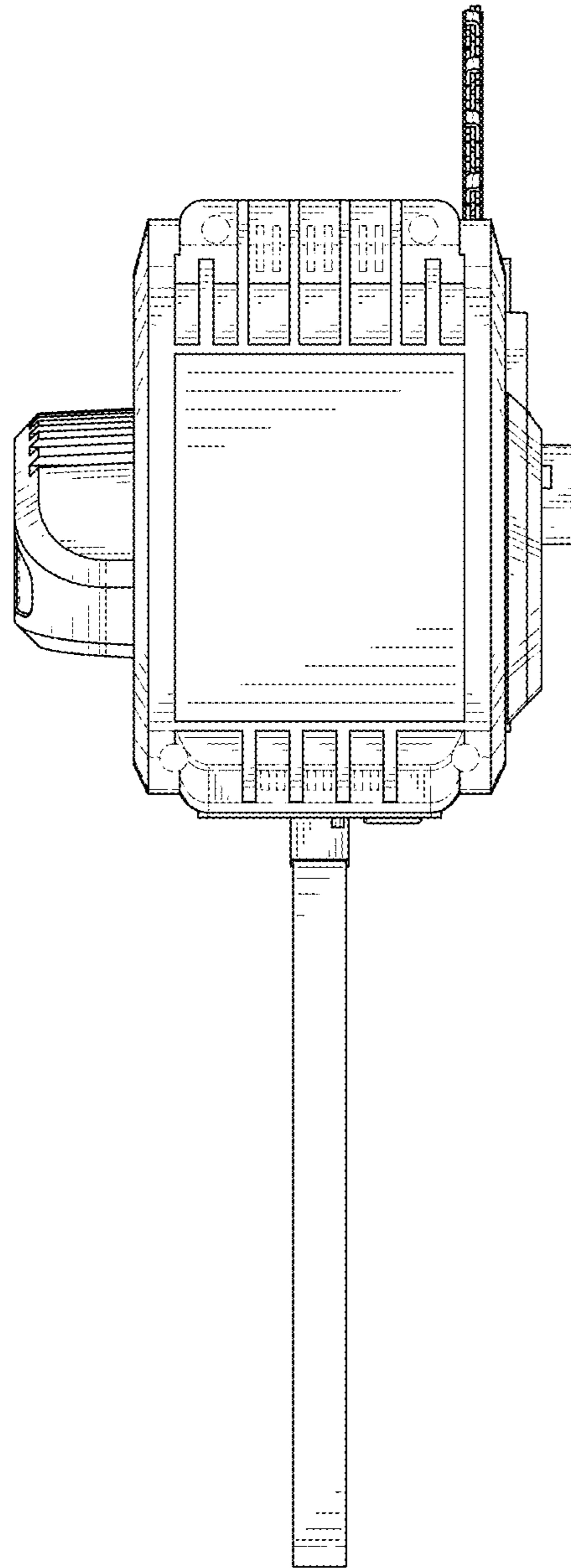


FIG. 8

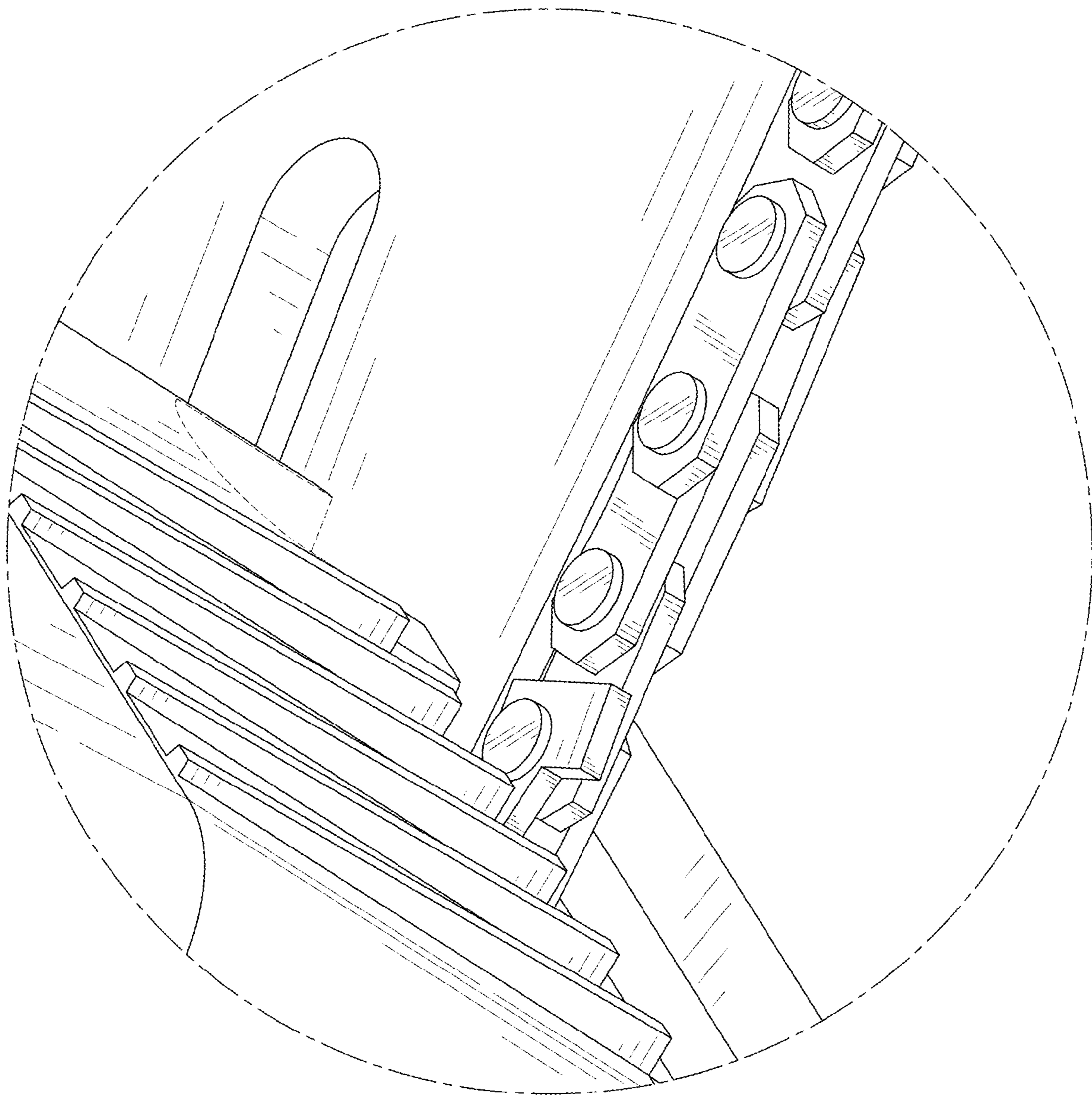


FIG. 9

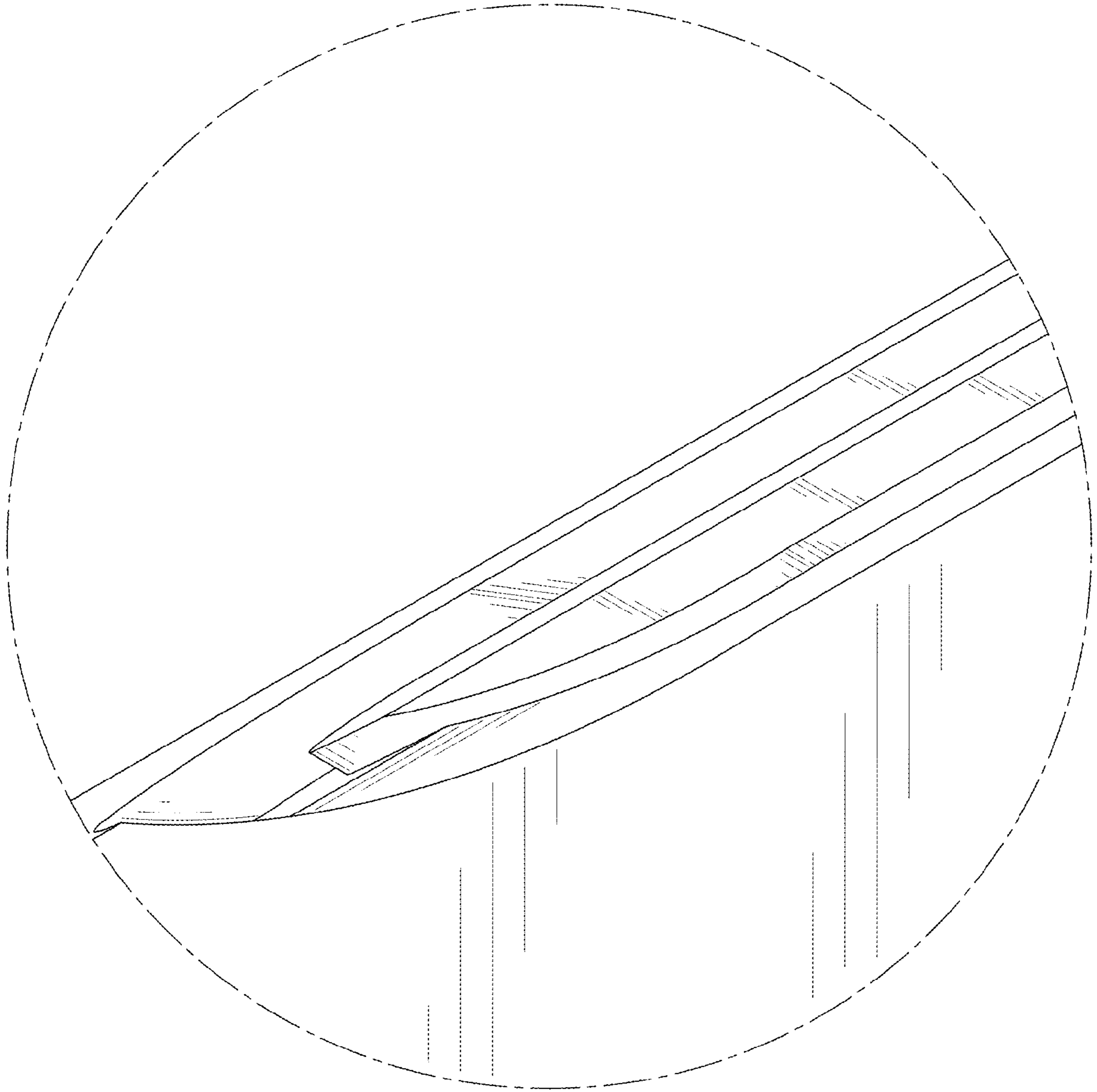


FIG. 10