



US00D972905S

(12) **United States Design Patent** (10) **Patent No.:** **US D972,905 S**
Li (45) **Date of Patent:** **** Dec. 20, 2022**

(54) **HAND OPERATED TOOL**
(71) Applicant: **SUZHOU DIFAN MACHINERY CO., LTD.**, Suzhou (CN)
(72) Inventor: **Lin Li**, Suzhou (CN)
(73) Assignee: **SUZHOU DIFAN MACHINERY CO., LTD.**, Suzhou (CN)

(**) Term: **15 Years**
(21) Appl. No.: **29/815,213**
(22) Filed: **Nov. 12, 2021**
(51) **LOC (13) Cl.** **08-05**
(52) **U.S. Cl.**
USPC **D8/62; D8/90**
(58) **Field of Classification Search**
USPC D8/14, 61, 13, 105-7, 75, 21-6, 51-2,
D8/55, 34, 62, 90; D15/139, 140;
D24/107
CPC F01D 15/061; B25B 7/14; B25B 7/10;
B25B 13/22; B25B 7/12; B25B 13/12;
B25B 13/18; G02B 7/02
See application file for complete search history.

(56) **References Cited**
U.S. PATENT DOCUMENTS
D228,616 S * 10/1973 Tomo D8/62
D287,631 S * 1/1987 Anspach, Jr. D24/147
D292,314 S * 10/1987 Conger, Sr. D24/117
D332,733 S * 1/1993 Staubitz D8/61
D342,428 S * 12/1993 Olszak D8/14
D347,087 S * 5/1994 Griffin D8/62
D354,424 S * 1/1995 Izumisawa D8/62
D385,765 S * 11/1997 Sung D8/62
D475,489 S * 6/2003 McLelland D8/62
D518,340 S * 4/2006 Demar et al.
D587,080 S * 2/2009 Rane D8/61
D598,173 S * 8/2009 Hartel D8/90

D619,717 S * 7/2010 Toshima D24/152
D624,380 S * 9/2010 Rane D8/61
D639,629 S * 6/2011 Torigai D8/69
(Continued)

FOREIGN PATENT DOCUMENTS

CN 307322159 * 5/2022
CN 307334993 * 5/2022
(Continued)

OTHER PUBLICATIONS

Percussion Pro Hand-Held Massage Tool, Google.com, [online], [site visited Aug. 11, 2022], Available from internet URL:https://humanlocomotion.com/products/percussion-pro-therapy-gun (Year: NA).
(Continued)

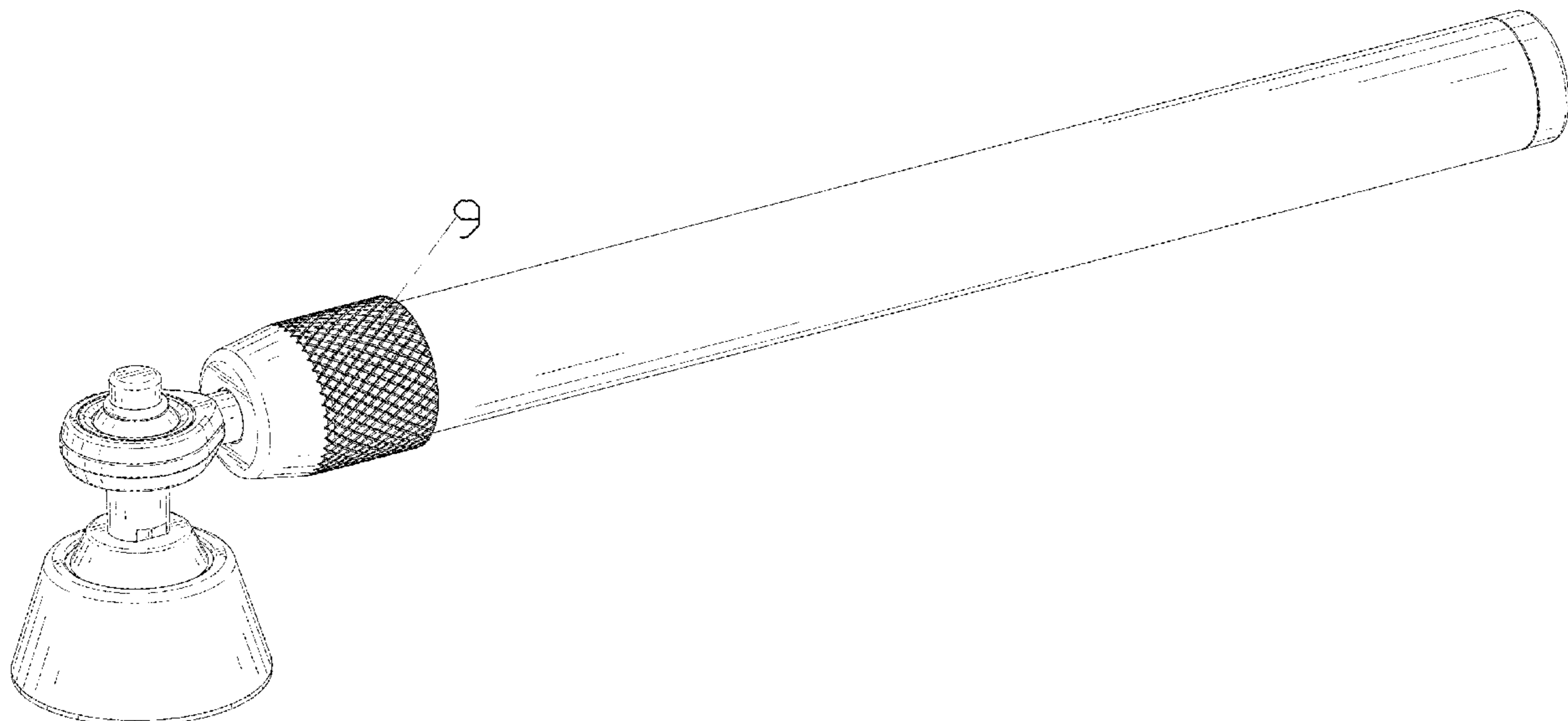
Primary Examiner — Leanne Was-Englehart

(57) **CLAIM**
The ornamental design for a hand operated tool, as shown and described.

DESCRIPTION

FIG. 1 is a perspective view of a hand operated tool showing my new design;
FIG. 2 is another perspective view thereof;
FIG. 3 is a front elevational view thereof;
FIG. 4 is a rear elevational view thereof;
FIG. 5 is a left side elevational view thereof;
FIG. 6 is a right side elevational view thereof;
FIG. 7 is a top plan view thereof;
FIG. 8 is a bottom plan view thereof; and,
FIG. 9 is an enlarged view of portion 9 shown in FIG. 1.
The dash-dash broken lines in the drawings depict portions of the hand operated tool that form no part of the claimed design. The dot-dash broken lines represent the boundary of the enlarged portion and form no part of the claimed design.

1 Claim, 9 Drawing Sheets



(56)

References Cited

U.S. PATENT DOCUMENTS

D667,713 S * 9/2012 Inskip D8/61
 D686,639 S * 7/2013 Dooley D15/7
 D702,522 S * 4/2014 Steinfels D8/105
 D704,524 S * 5/2014 Steinfels D8/61
 D765,484 S * 9/2016 Inkster D8/62
 D786,643 S * 5/2017 Valentini D8/62
 D786,644 S * 5/2017 Valentini D8/62
 D871,174 S * 12/2019 Lofley, Sr. D8/14
 D895,210 S * 9/2020 Wu D28/59
 D929,199 S * 8/2021 Li D8/62
 2009/0272554 A1 * 11/2009 Young F01D 15/06
 173/169

FOREIGN PATENT DOCUMENTS

EM 007295688-0001 * 12/2019
 EM 007760749-0001 * 3/2020

OTHER PUBLICATIONS

Amazon_NAGU Clover Bowl Sander <https://us.amazon.com/NAGU-Clover-Sander-Change-Solidwood/dp/B08FC4C9H6> Aug. 6, 2020 (Year: 2020).
 *
 “2 inch Diameter Bowl Sander with Angle-Adjustable, Rotateable Sander Head and Long Alloy Handle (alloy handle)”, Retrieved Aug. 24, 2021]. Retrieved from Internet, <https://www.amazon.com/Diameter-Sander-Angle-Adjustable-Rotateable-Handle/dp/B09PBGH2F8/?th=1>.

* cited by examiner

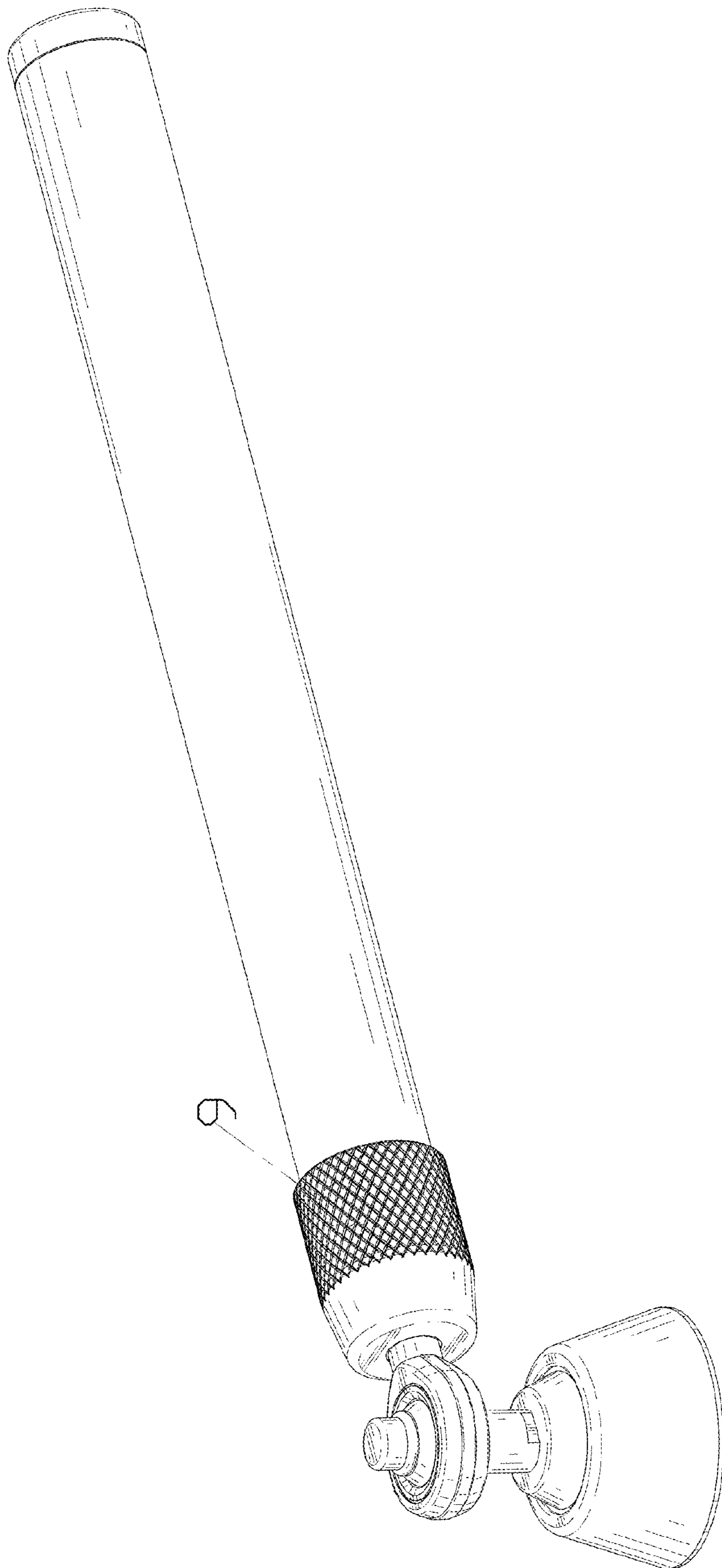


FIG. 1

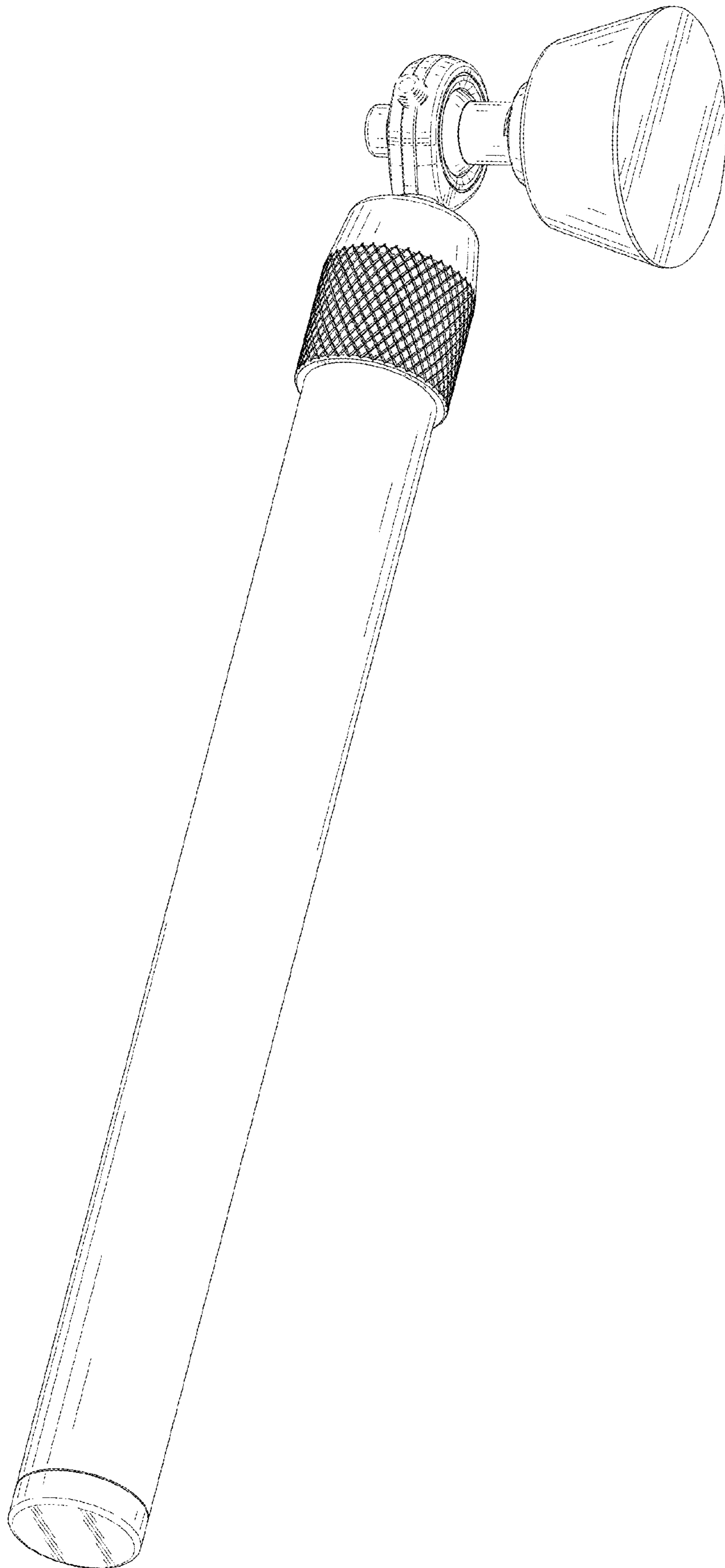


FIG. 2

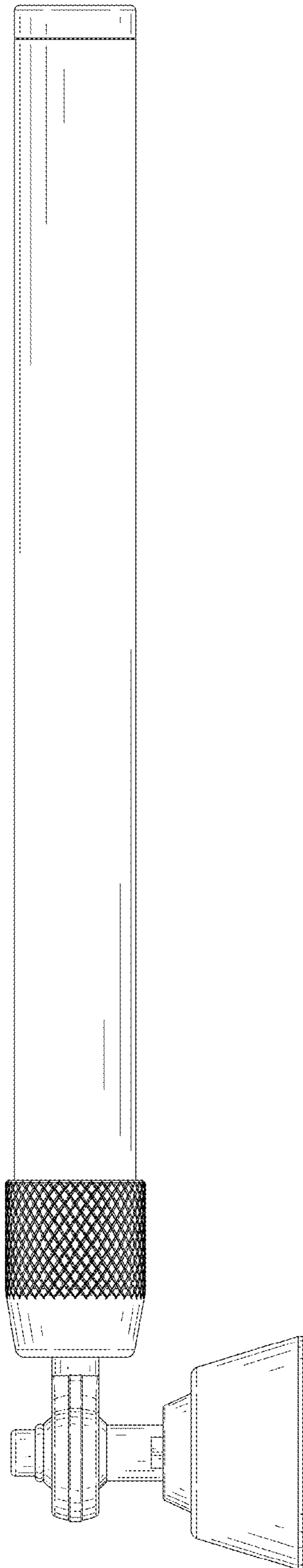


FIG. 3

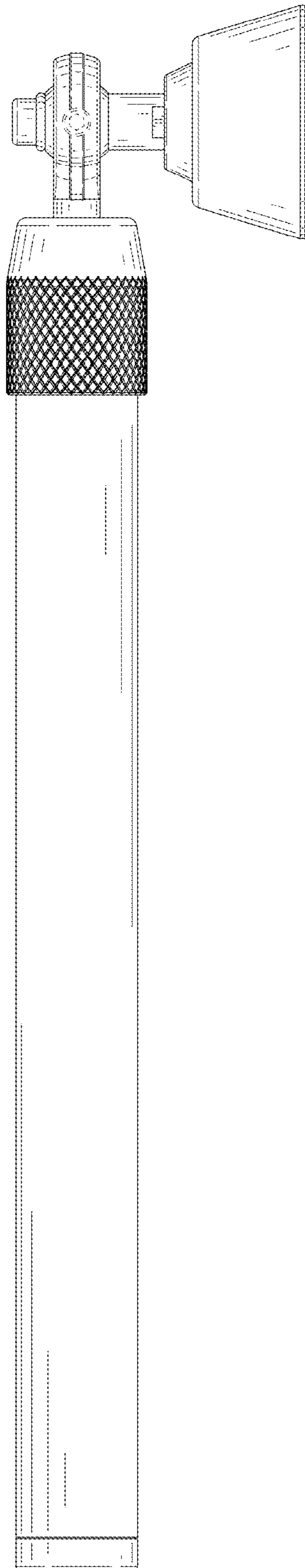


FIG. 4

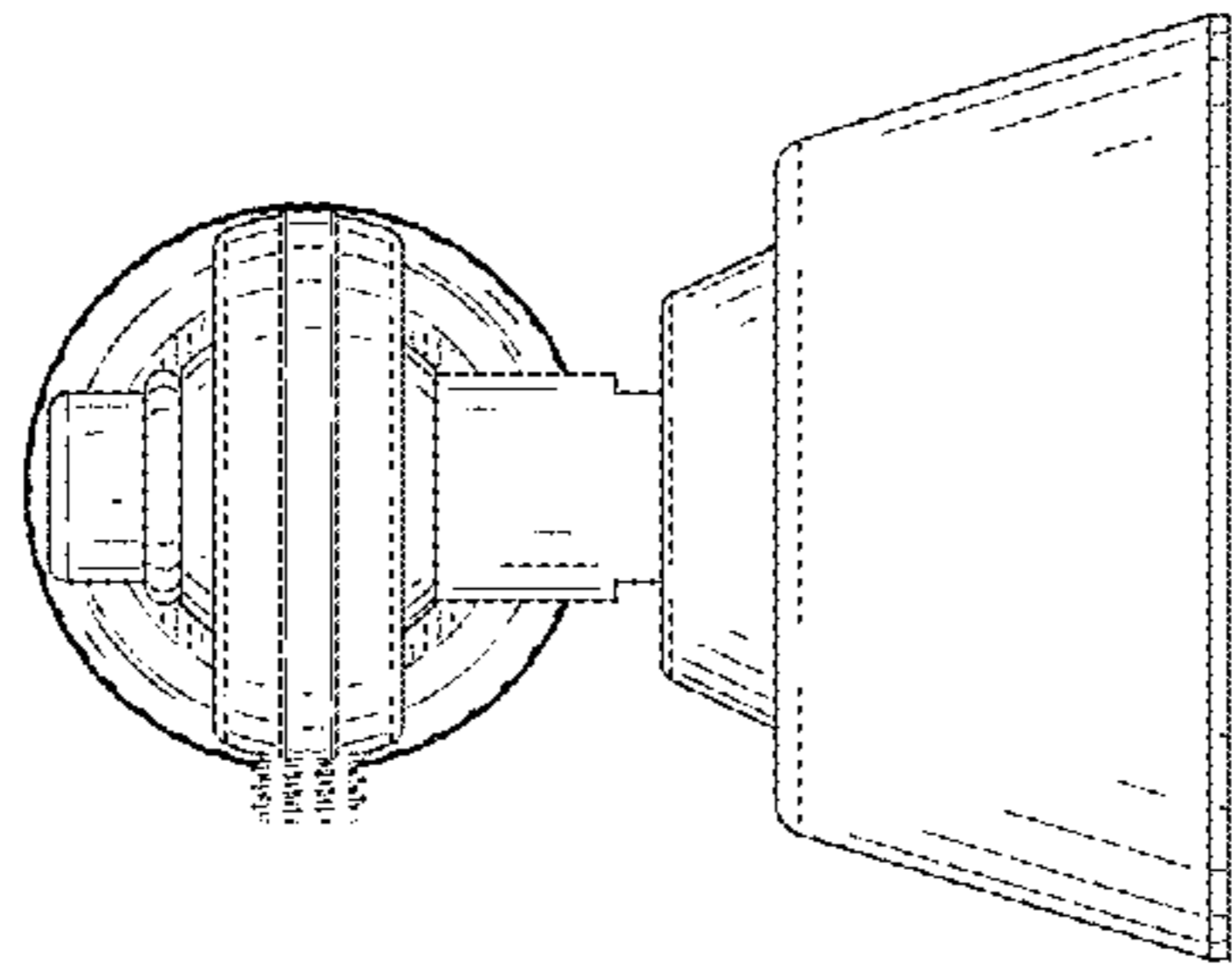


FIG. 5

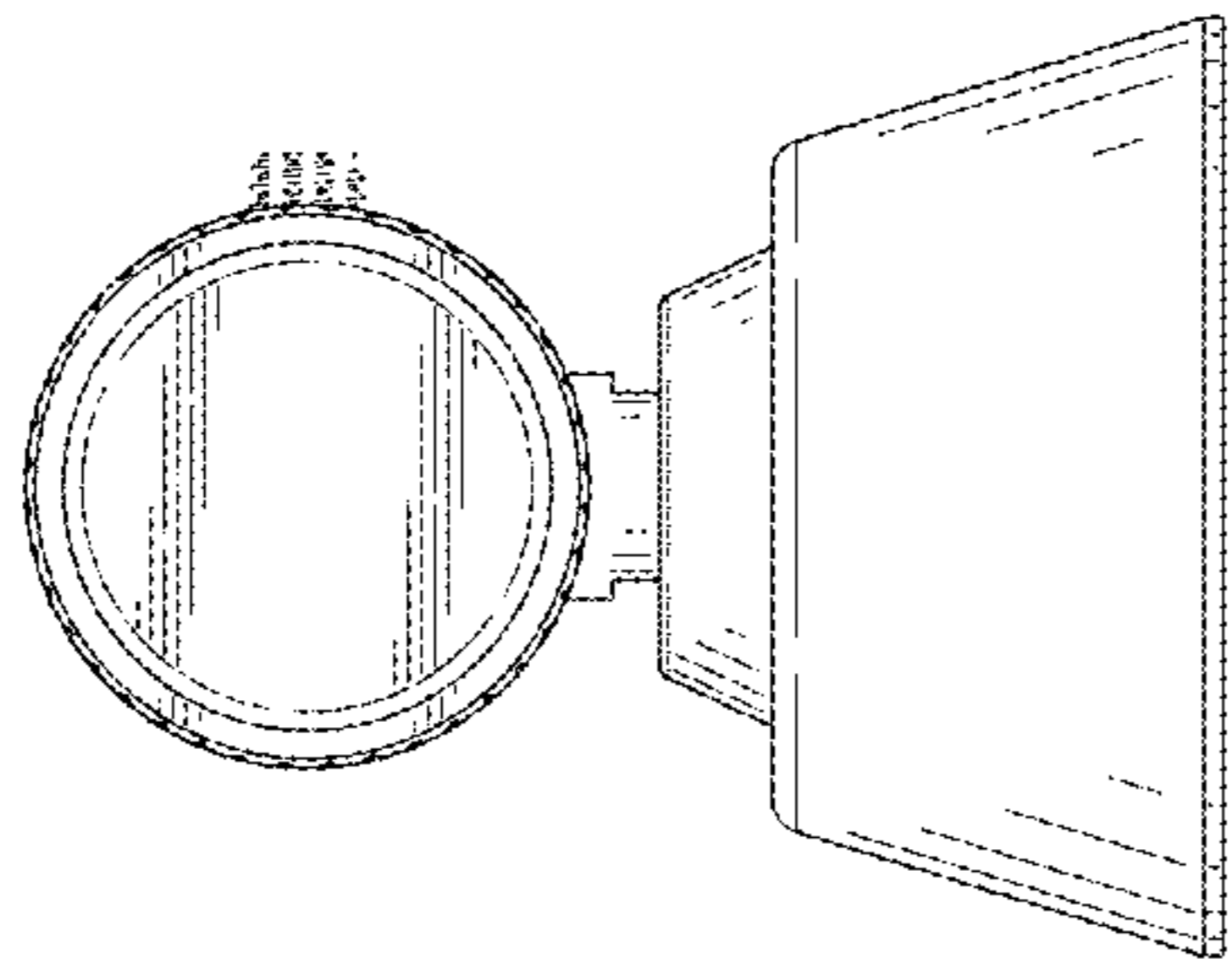


FIG. 6

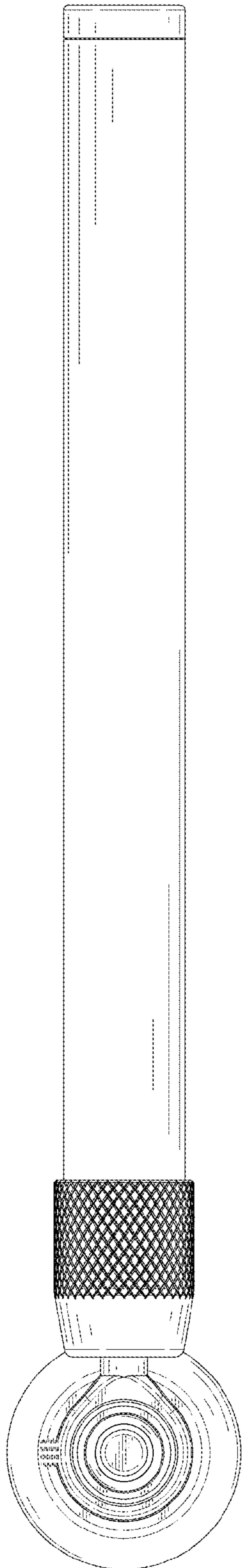


FIG. 7

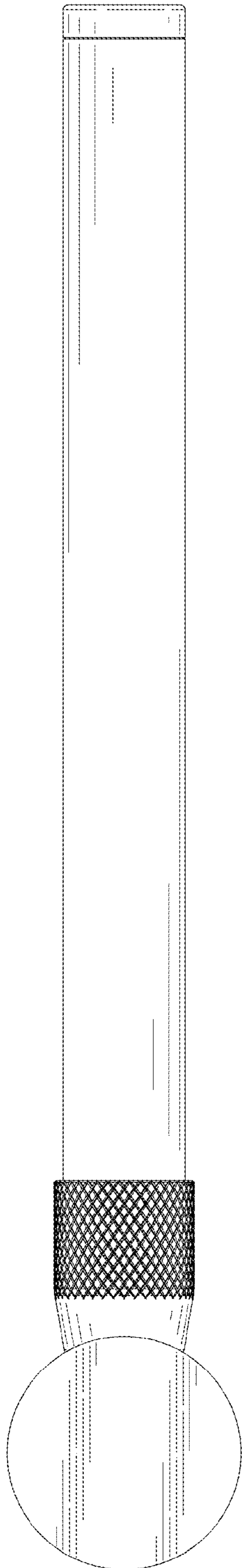


FIG. 8

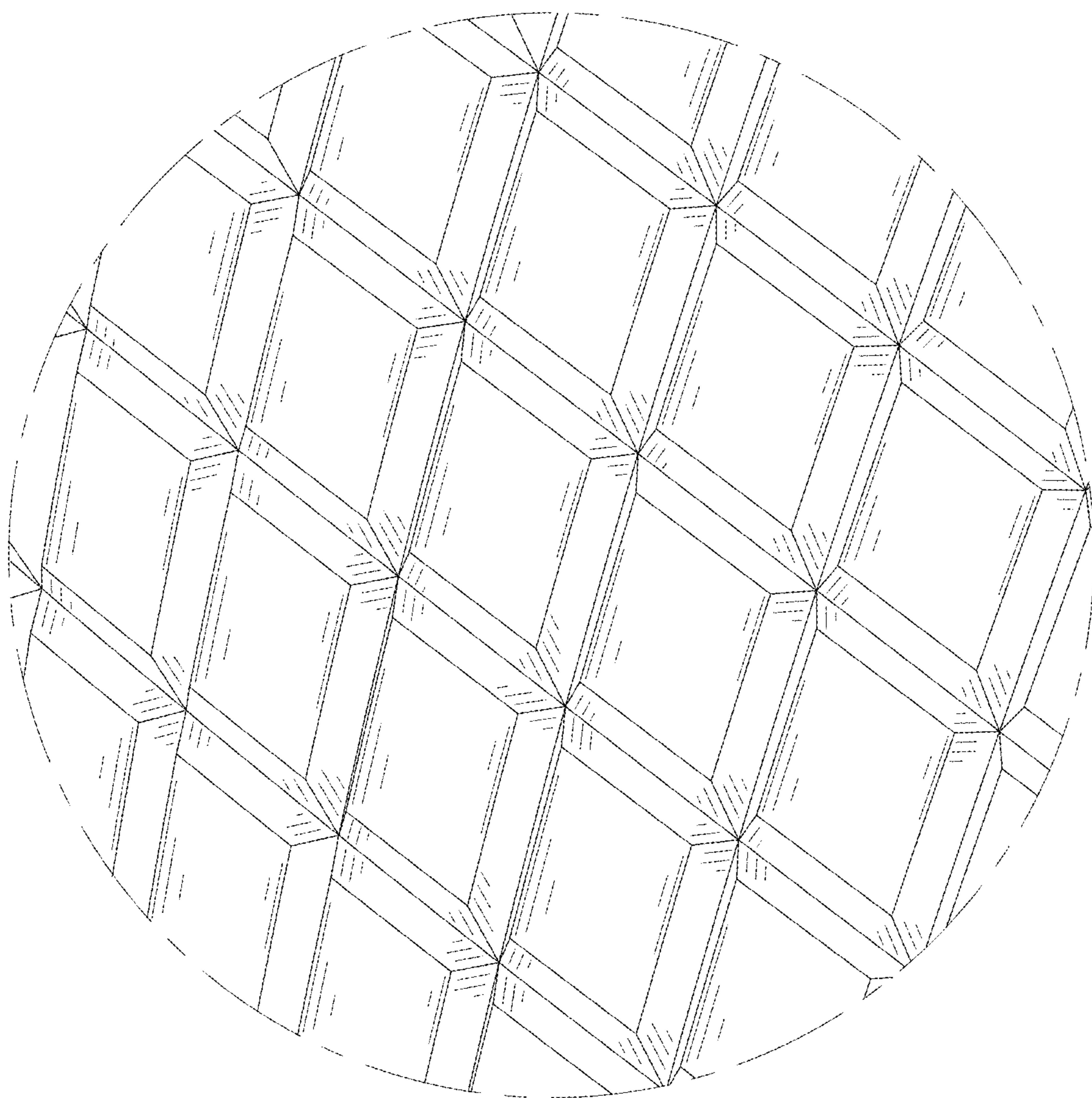


FIG. 9