



US00D972903S

(12) **United States Design Patent** (10) **Patent No.:** **US D972,903 S**
Hirao et al. (45) **Date of Patent:** **** Dec. 20, 2022**

(54) **ADJUSTABLE WRENCH**

FOREIGN PATENT DOCUMENTS

(71) Applicant: **TONE CO., LTD.**, Osaka (JP)

CN 3500565 1/2006
JP 1396883 9/2010

(72) Inventors: **Motohiro Hirao**, Osaka (JP); **Akira Takenouchi**, Osaka (JP)

(Continued)

(73) Assignee: **TONE CO., LTD.**, Osaka (JP)

OTHER PUBLICATIONS

(**) Term: **15 Years**

JP Patent Office, The First Department of Examination, Prior Art Search Report, includes English language translation, dated Dec. 15, 2020, 4 pp., for corresponding Japanese Design Application 2020-018863.

(21) Appl. No.: **29/772,292**

(Continued)

(22) Filed: **Mar. 1, 2021**

(30) **Foreign Application Priority Data**

Primary Examiner — Rachel A. Voorhies
Assistant Examiner — Benjamin D. Wannemacher
(74) *Attorney, Agent, or Firm* — Eckert Seamans Cherin & Mellott, LLC

Sep. 4, 2020 (JP) 2020-018863

(51) **LOC (13) Cl.** **08-05**

(52) **U.S. Cl.**
USPC **D8/22; D8/107**

(58) **Field of Classification Search**
USPC D8/1, 14-17, 19, 21-29, 61, 73, 105,
D8/107, 366, 371, 372, 382, 384, 385,
D8/388, 389, 499; D23/233-250, 259;
D26/113; 81/125.1

CPC .. B25B 7/02; B25B 7/04; B25B 13/08; B25B
13/10; B25B 13/12; B25B 13/14

See application file for complete search history.

(56) **References Cited**

U.S. PATENT DOCUMENTS

117,679 A * 8/1871 Phillips B25B 13/14
81/177.1
347,580 A * 8/1886 Dean B25B 7/10
81/355
D26,111 S * 9/1896 Billings D8/22
D27,470 S * 8/1897 Coes B25B 13/14
81/171

(Continued)

(57) **CLAIM**

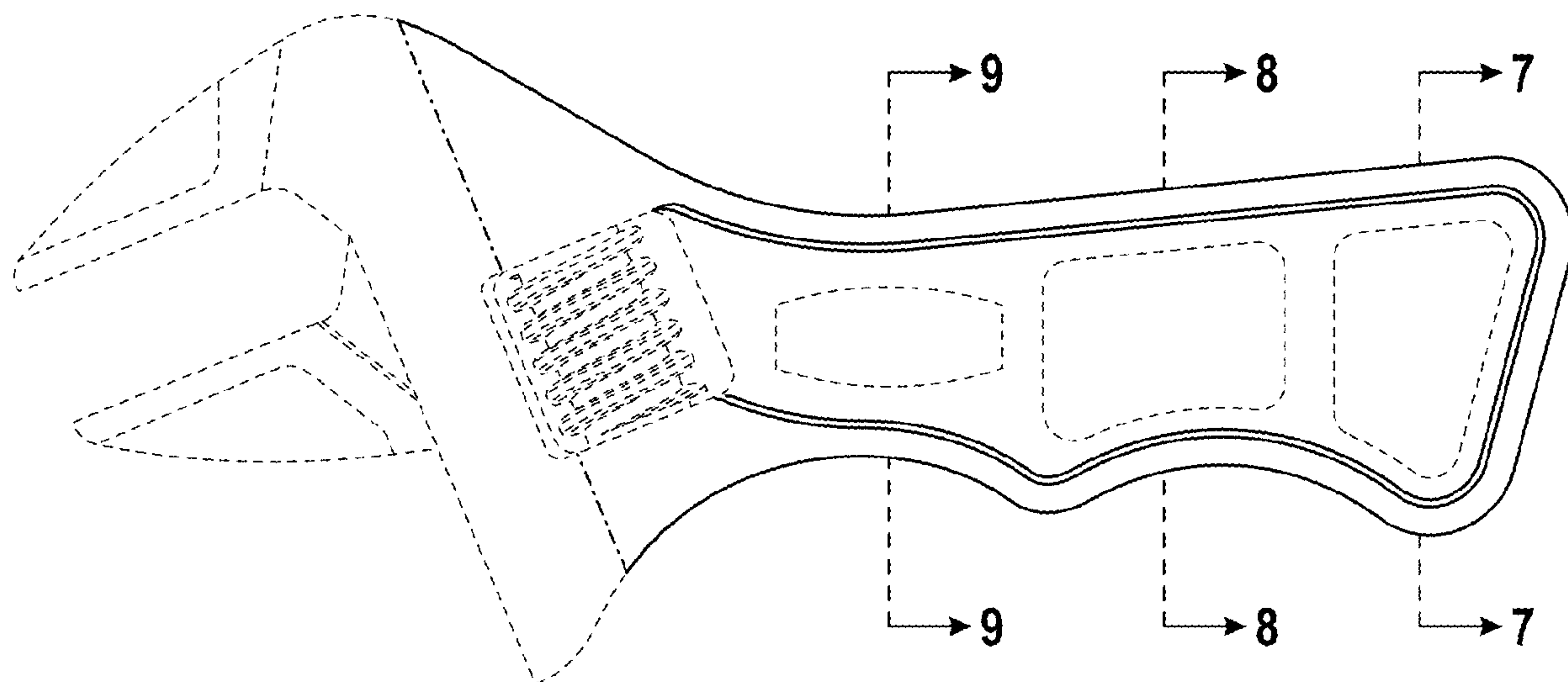
The ornamental design for an adjustable wrench, as shown and described.

DESCRIPTION

FIG. 1 is a front elevational view of an adjustable wrench; FIG. 2 is a rear elevational view thereof; FIG. 3 is a right side elevational view thereof; FIG. 4 is a left side elevational view thereof; FIG. 5 is a top plan view thereof; FIG. 6 is a bottom plan view thereof; FIG. 7 is an end view thereof taken along line 7-7 of FIG. 1; FIG. 8 is an end view thereof taken along line 8-8 of FIG. 1; and, FIG. 9 is an end view thereof taken along line 9-9 of FIG. 1.

The broken lines shown in the drawing Figures illustrate portions of the adjustable wrench that form no part of the claimed design.

1 Claim, 5 Drawing Sheets



(56)

References Cited

U.S. PATENT DOCUMENTS

1,218,316 A * 3/1917 Rice B25B 13/14
81/DIG. 3
D57,153 S * 2/1921 Safford B25G 1/105
81/177.1
1,739,715 A * 12/1929 Eckland B25B 13/14
D8/22
2,630,034 A * 3/1953 Bannister B25B 7/02
81/352
D178,773 S * 9/1956 Fercana B25B 13/14
D8/22
D184,280 S * 1/1959 Fercana D8/22
3,015,246 A * 1/1962 Buyer B25B 13/16
81/186
3,252,359 A * 5/1966 Bodkin B25B 13/46
338/32 S
3,916,735 A * 11/1975 Evans B25B 13/12
D8/25
D282,712 S * 2/1986 Rademacher D8/51
5,305,667 A * 4/1994 Caballero B25B 13/12
81/439
D351,328 S * 10/1994 Hasegawa D8/107
D361,703 S * 8/1995 Payne D8/21
D362,603 S * 9/1995 Woo D8/23
D439,495 S * 3/2001 McCalla D26/38
D478,794 S * 8/2003 Kramer D8/22
D494,037 S * 8/2004 Lin Wu D8/107
D547,149 S * 7/2007 Wu D8/22
D548,553 S * 8/2007 Hsieh D8/22
D549,533 S 8/2007 Pond et al.
D552,437 S * 10/2007 Hsieh D8/27
D703,505 S * 4/2014 Abel D8/28
D711,709 S * 8/2014 Abel D8/28
D713,224 S 9/2014 Smith
D714,112 S * 9/2014 Robinson D8/22
D716,622 S 11/2014 Huang
D858,232 S 9/2019 Gehrke
2004/0123702 A1 * 7/2004 Wu B25B 23/105
81/170
2005/0223853 A1 * 10/2005 Wu B25G 1/00
81/119

2006/0086212 A1 * 4/2006 Hsieh B25B 13/14
81/186
2007/0028727 A1 * 2/2007 Schiller B25G 1/105
81/177.1
2011/0259156 A1 * 10/2011 Grolman B25B 13/16
81/186
2013/0145907 A1 * 6/2013 Takenaka B25B 13/14
81/170
2019/0015964 A1 * 1/2019 Chern B25B 23/16
2021/0046618 A1 * 2/2021 Buchanan B25B 13/14

FOREIGN PATENT DOCUMENTS

KR 3010075280000 5/2019
KR K1-2320 5/2019
TW D147133 S1 5/2012

OTHER PUBLICATIONS

Adjustable Wrench (Pocket Monkey UM48S), p. 1, UM48S (Prior Art Document number stored in the JPO's design section HC18040519), no English translation available, Oct. 18, 2006, 2 p.
Adjustable Wrench (Pocket Monkey), Seikatsu Sangyo Shimbun, Jun. 11, 2003, Second Part, p. 5 (Prior Art Document number stored in the JPO's design section HC15023866), no English translation available, 2 pp.
Adjustable Wrench (TWM-08), 2016 Engineer, p. 73, (Prior Art Document number stored in the JPO's design section HC28011669), no English translation available, Nov. 2, 2016, 2 p.
Adjustable Wrench downloaded from the website of Amazon. com (Prior Art Document number stored in the JPO's design section HJ20058323), Feb. 2, 2009, 3 pp.
Taiwan Intellectual Property Office, "Notice of Allowance" for corresponding Taiwanese design application No. 110301146 (including a partial English translation of same), dated Sep. 13, 2021, 5 pp.
Taiwan Intellectual Property Office, "Notice of Allowance" for corresponding Taiwanese design application No. 110301146 (including a partial English translation of same), dated Sep. 13, 2021, 5 pp.

* cited by examiner

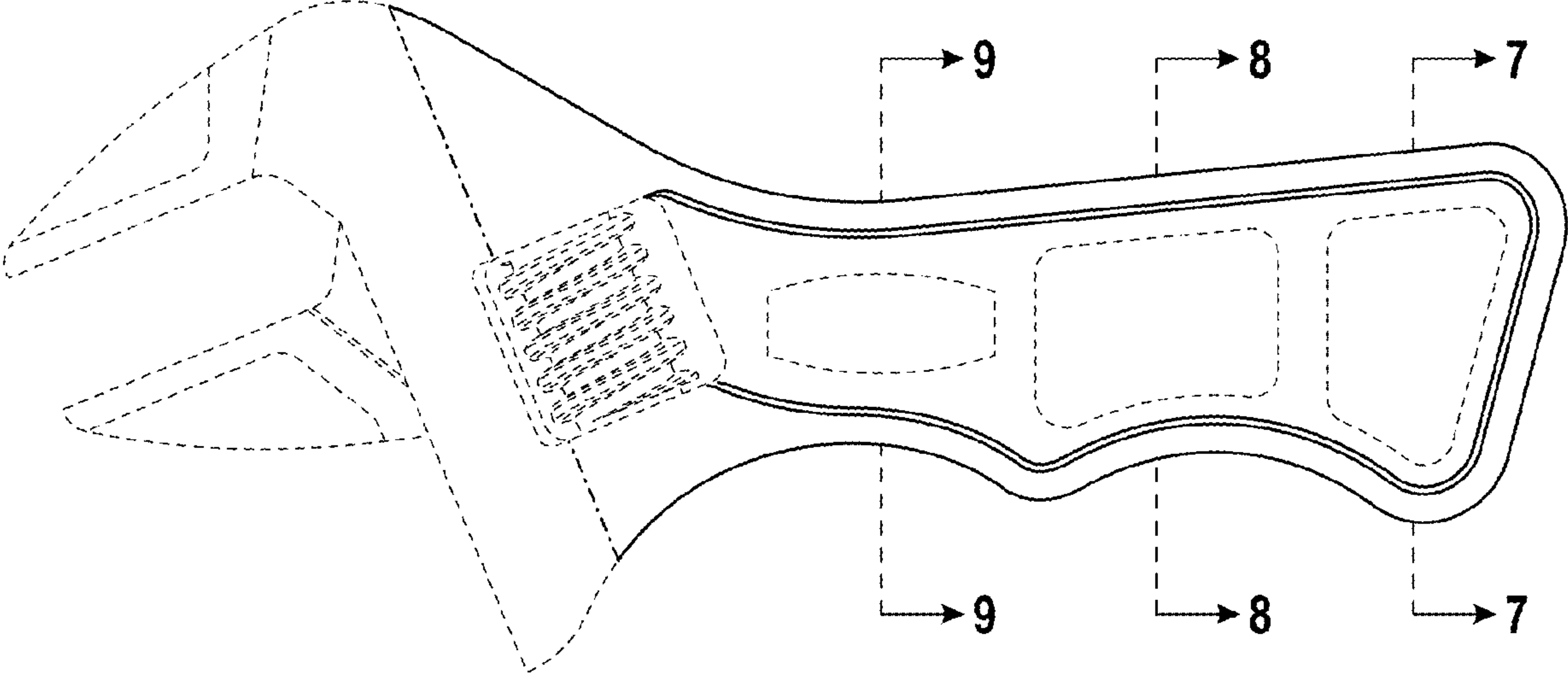


FIG. 1

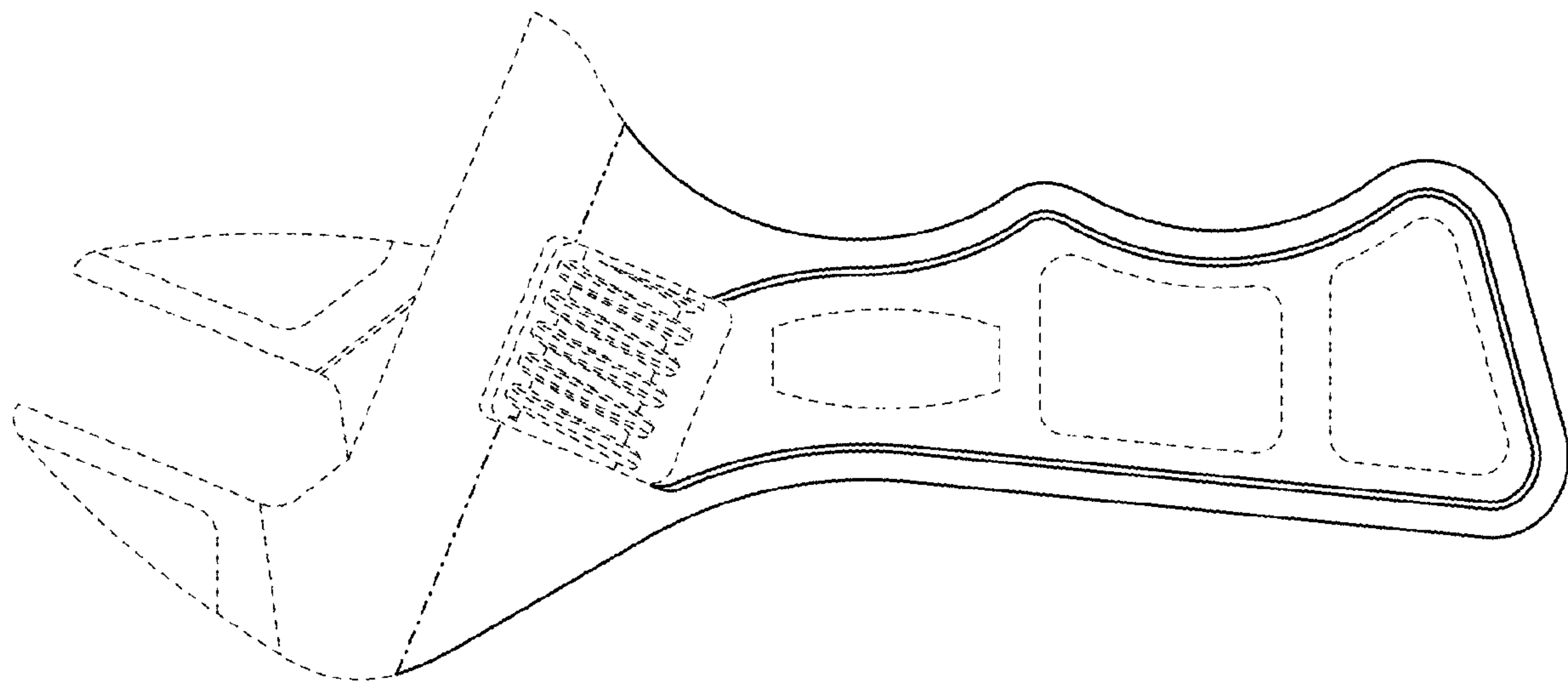


FIG. 2

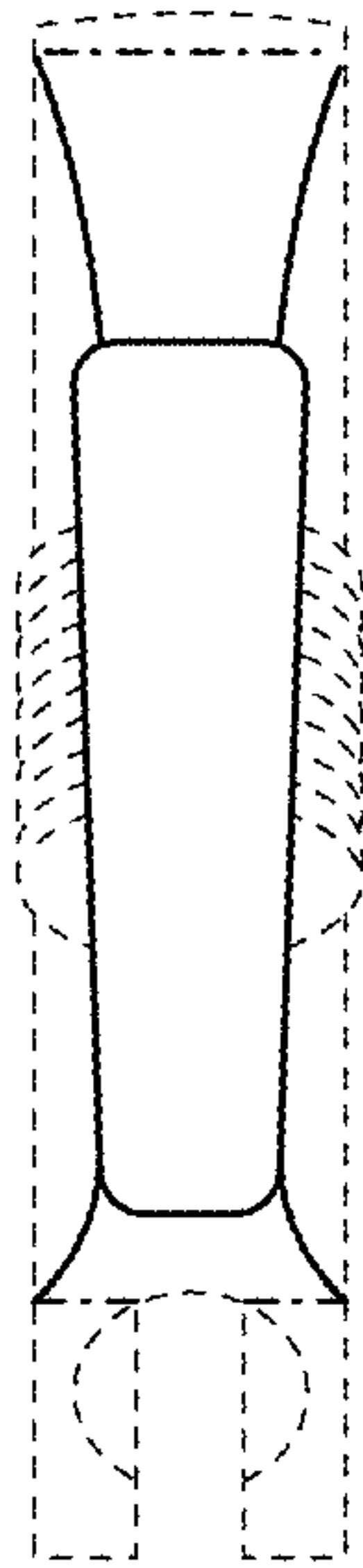


FIG. 3

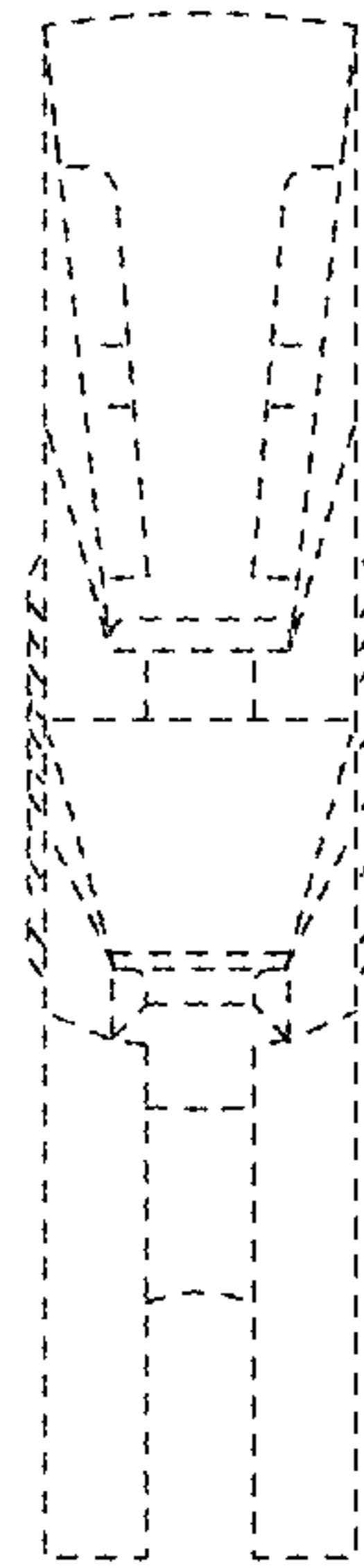


FIG. 4

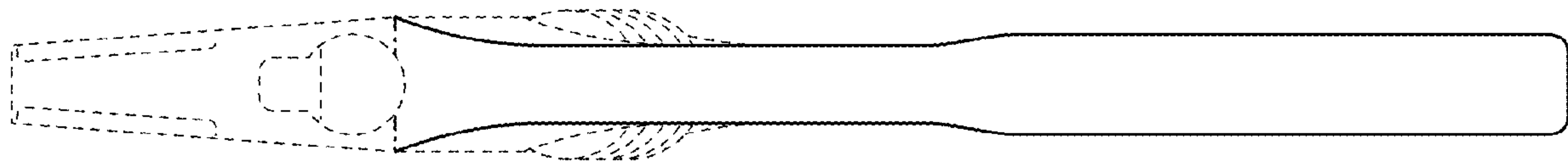


FIG. 5

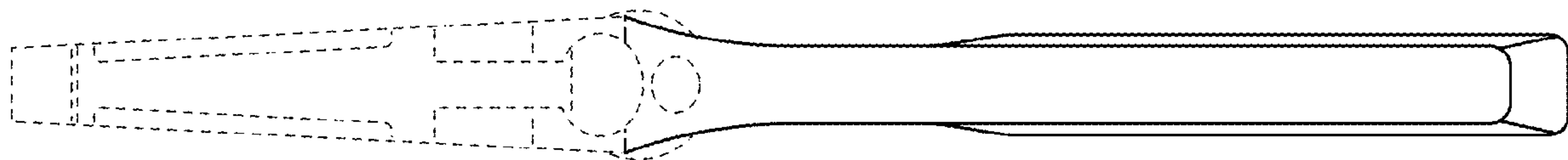


FIG. 6

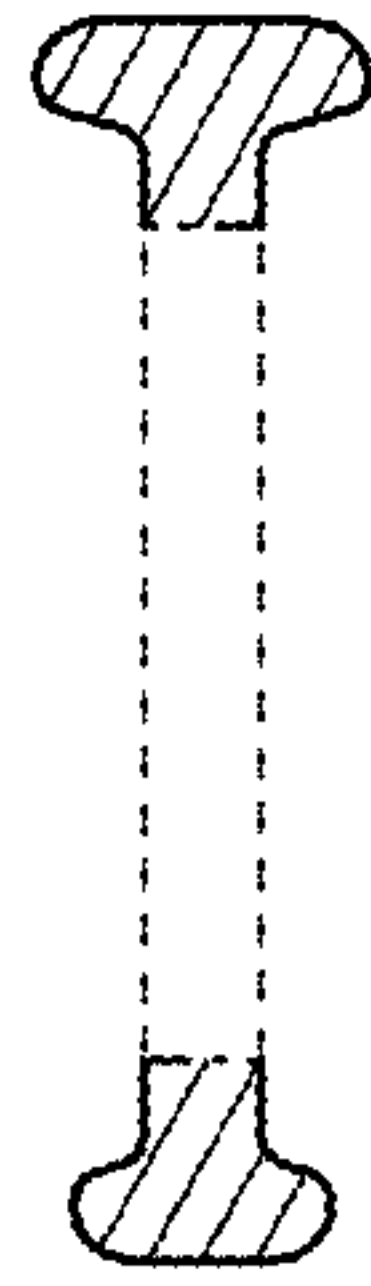


FIG. 7

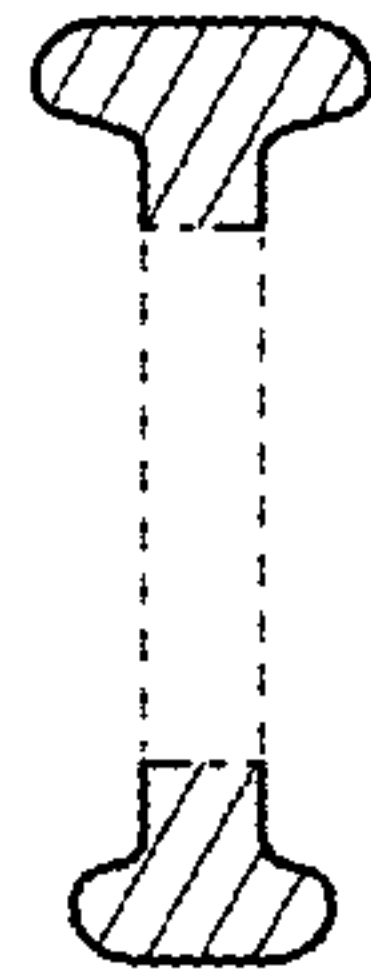


FIG. 8

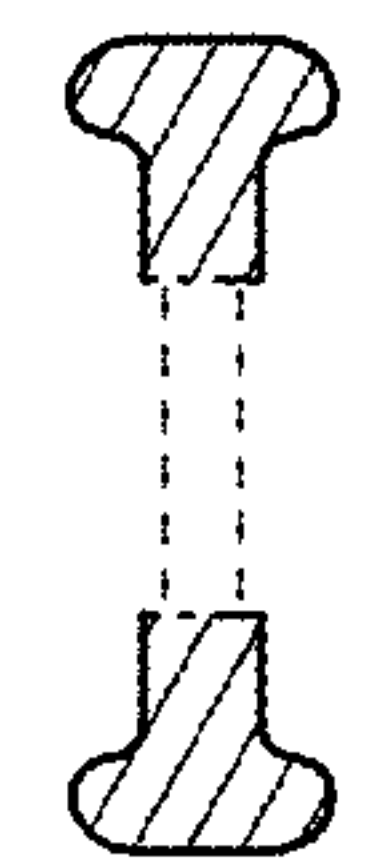


FIG. 9