



US00D972902S

(12) **United States Design Patent**  
**Engelhardt et al.**

(10) **Patent No.:** **US D972,902 S**  
(45) **Date of Patent:** **\*\* Dec. 20, 2022**

- (54) **REACH EXTENDER**
- (71) Applicants: **Thomas Engelhardt**, Chapel Hill, NC (US); **Lili Engelhardt**, Chapel Hill, NC (US)
- (72) Inventors: **Thomas Engelhardt**, Chapel Hill, NC (US); **Lili Engelhardt**, Chapel Hill, NC (US)
- (73) Assignee: **Sky Leap, LLC**, Chapel Hill, NC (US)
- (\*\*) Term: **15 Years**
- (21) Appl. No.: **29/735,342**
- (22) Filed: **May 20, 2020**
- (51) **LOC (13) Cl.** ..... **08-05**
- (52) **U.S. Cl.**  
USPC ..... **D8/14**
- (58) **Field of Classification Search**  
USPC ..... D8/14, 349, 354, 382, 323; D32/50, 52  
CPC . F16M 11/00; F16B 2/00; F16B 23/00; F16B 5/061; F16B 45/00; F16C 11/10; F16C 1/10; G09F 17/00; G09F 2017/0066  
See application file for complete search history.

- 6,973,695 B1 \* 12/2005 Nesler ..... A47L 1/06  
15/144.2
- 6,988,701 B1 \* 1/2006 Lin ..... F16C 11/10  
248/521
- D559,489 S \* 1/2008 Li ..... D32/50
- D561,017 S \* 2/2008 Carney ..... D8/382
- 7,909,376 B1 \* 3/2011 McKinley ..... H01H 31/006  
294/174
- 8,075,031 B2 \* 12/2011 Walker, Jr. .... F24F 13/28  
294/24
- D683,509 S \* 5/2013 Tseng ..... D32/50
- 8,752,877 B2 \* 6/2014 Spindler ..... F21V 21/0808  
294/209
- D725,846 S \* 3/2015 Lambert ..... D30/158
- D745,369 S \* 12/2015 Tungesvik ..... D8/349
- D792,043 S \* 7/2017 Buckley ..... D32/50
- D912,358 S \* 3/2021 Brugora ..... D32/50

(Continued)

*Primary Examiner* — Philip S Hyder

(57) **CLAIM**

An ornamental design for a reach extender, as shown and featured in the accompanying drawings.

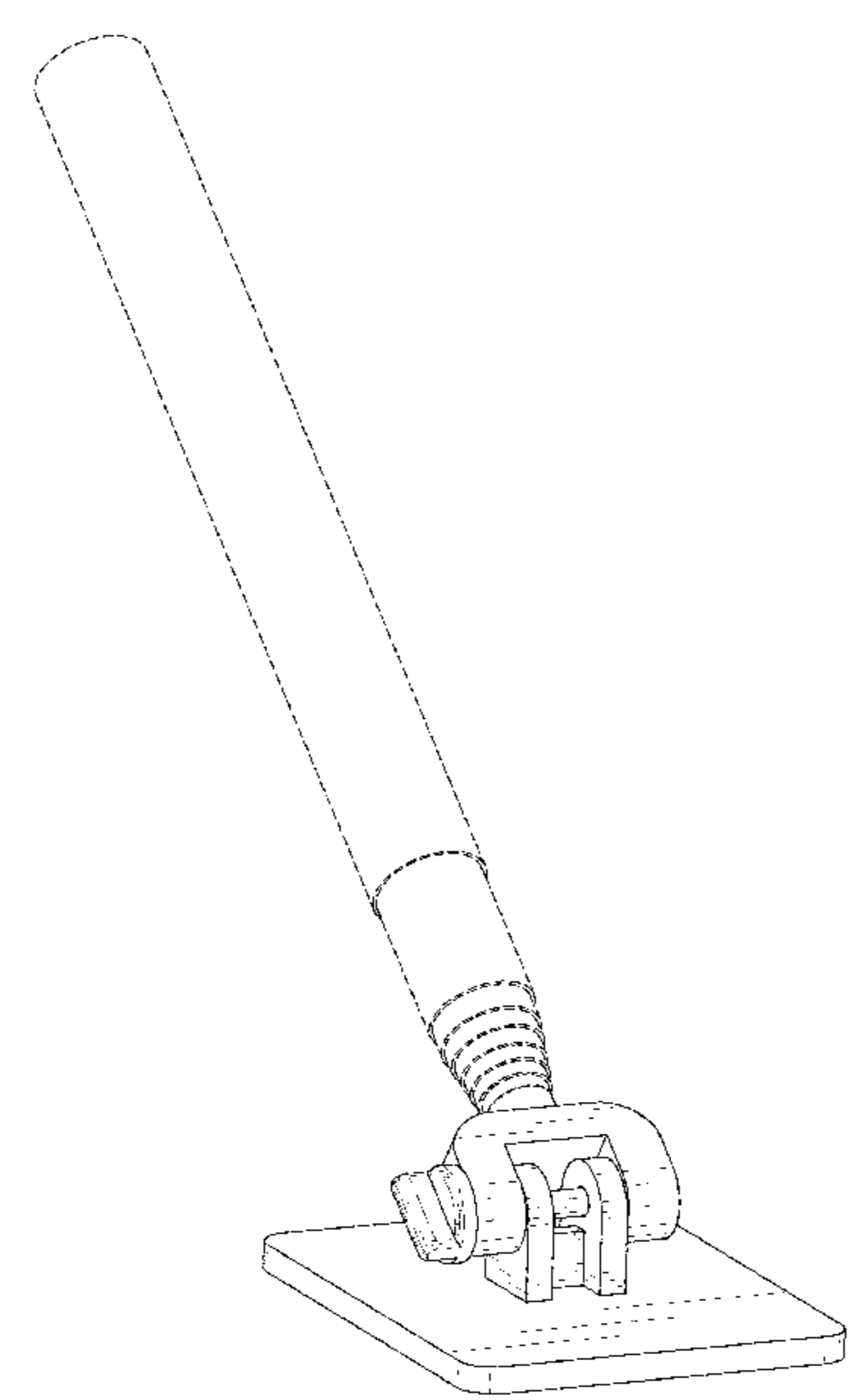
**DESCRIPTION**

FIG. 1 is a right, back, top perspective view of a reach extender in accordance with the present invention;  
 FIG. 2 is a left, front top perspective view of a handle portion of the reach extender;  
 FIG. 3 is a top, right, back perspective of the head portion of the reach extender;  
 FIG. 4 is a back elevation view thereof;  
 FIG. 5 is a front elevation view thereof;  
 FIG. 6 is a right elevation view thereof; and,  
 FIG. 7 is a top plan view thereof.

The right and left sides of the head portion of the reach extender are identical. The top and bottom sides of the head portion of the reach extender are also identical. The broken lines represent portions of the structure that form no part of the claim.

**1 Claim, 7 Drawing Sheets**

- (56) **References Cited**  
U.S. PATENT DOCUMENTS
- 3,778,860 A \* 12/1973 Thielen ..... B25G 3/38  
15/147.2
- 3,991,431 A \* 11/1976 Thielen ..... A47L 13/254  
15/147.2
- 5,588,630 A \* 12/1996 Chen-Chao ..... F16C 11/10  
248/514
- D388,762 S \* 1/1998 Nagy ..... D12/415
- 5,971,653 A \* 10/1999 Harpell ..... A01B 1/225  
172/375
- D417,050 S \* 11/1999 Reede ..... D32/50
- D458,722 S \* 6/2002 Romero ..... D32/52



(56)

**References Cited**

U.S. PATENT DOCUMENTS

2003/0009839 A1\* 1/2003 Streutker ..... A47L 13/254  
15/228  
2004/0202506 A1\* 10/2004 Lazic ..... F16M 11/12  
403/97

\* cited by examiner

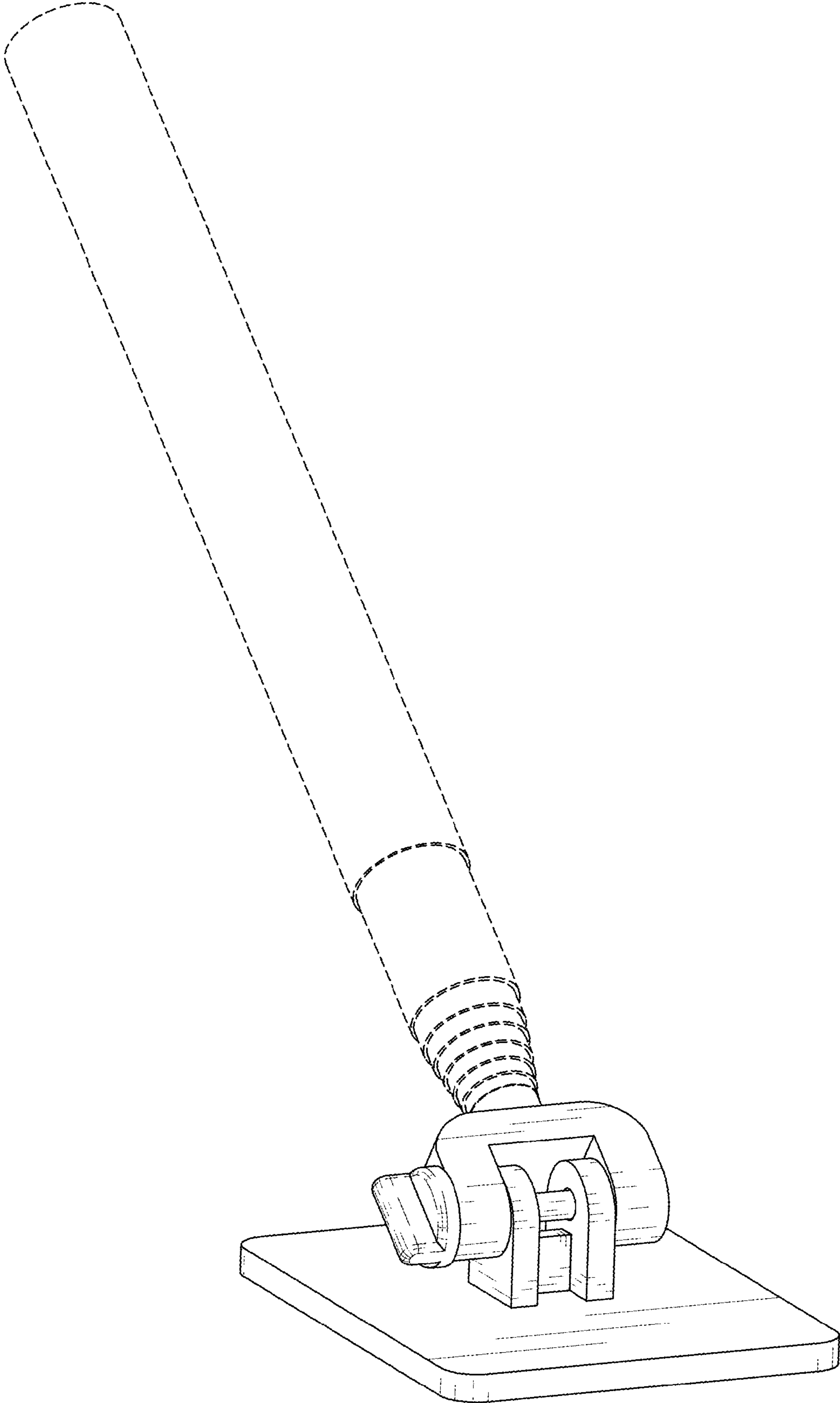


FIG. 1

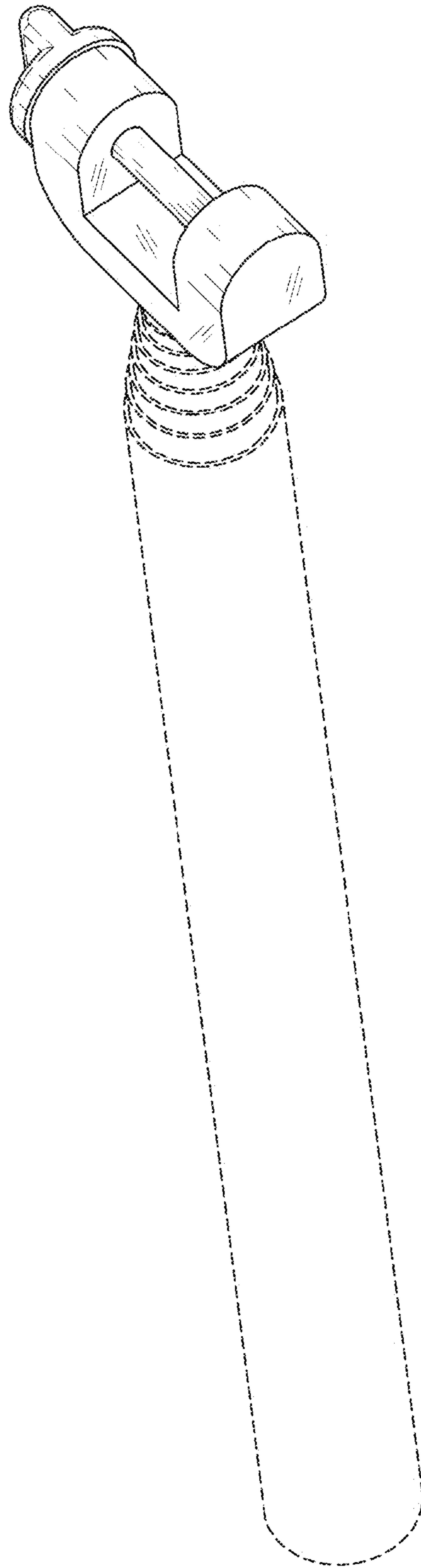


FIG. 2

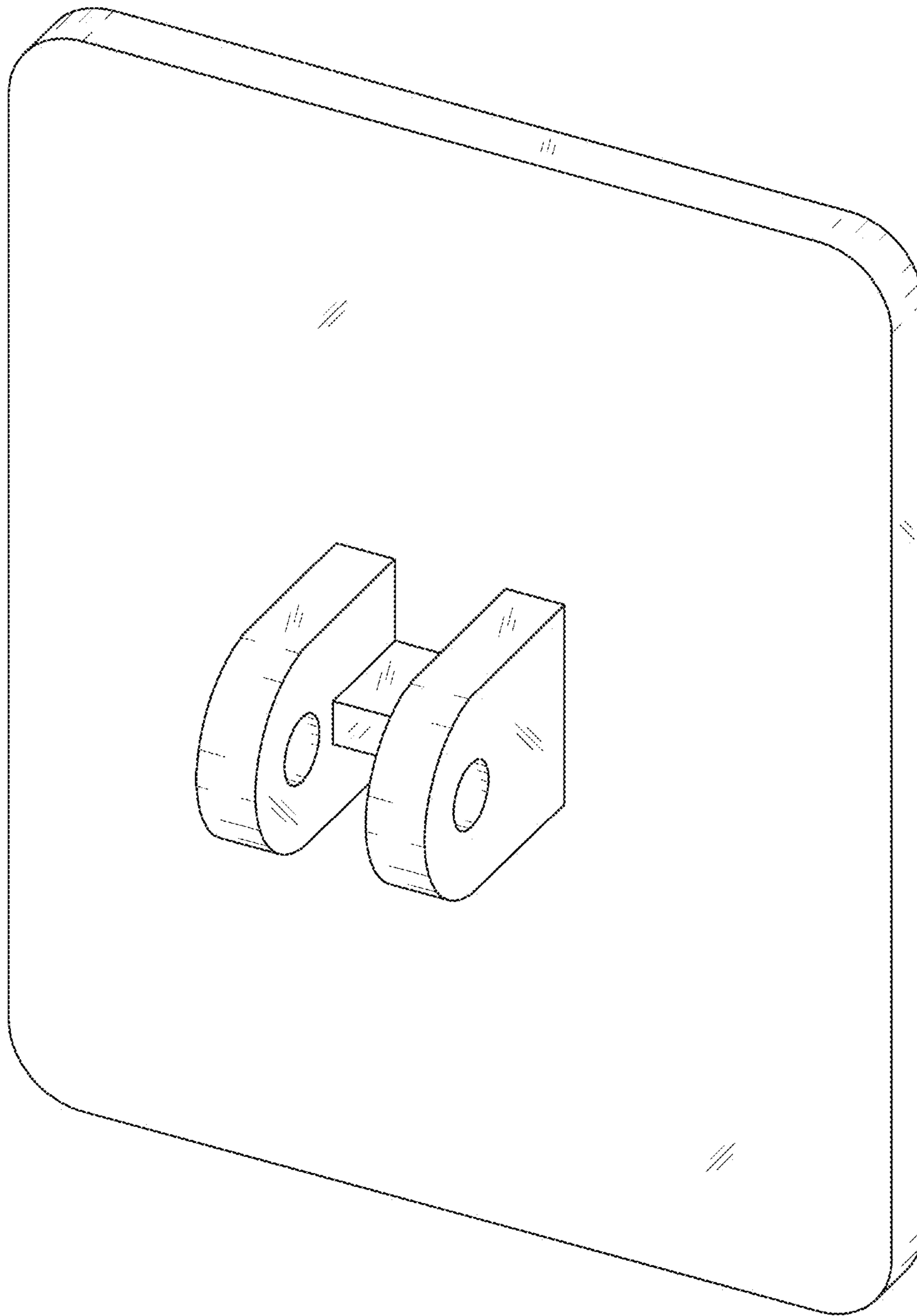


FIG. 3

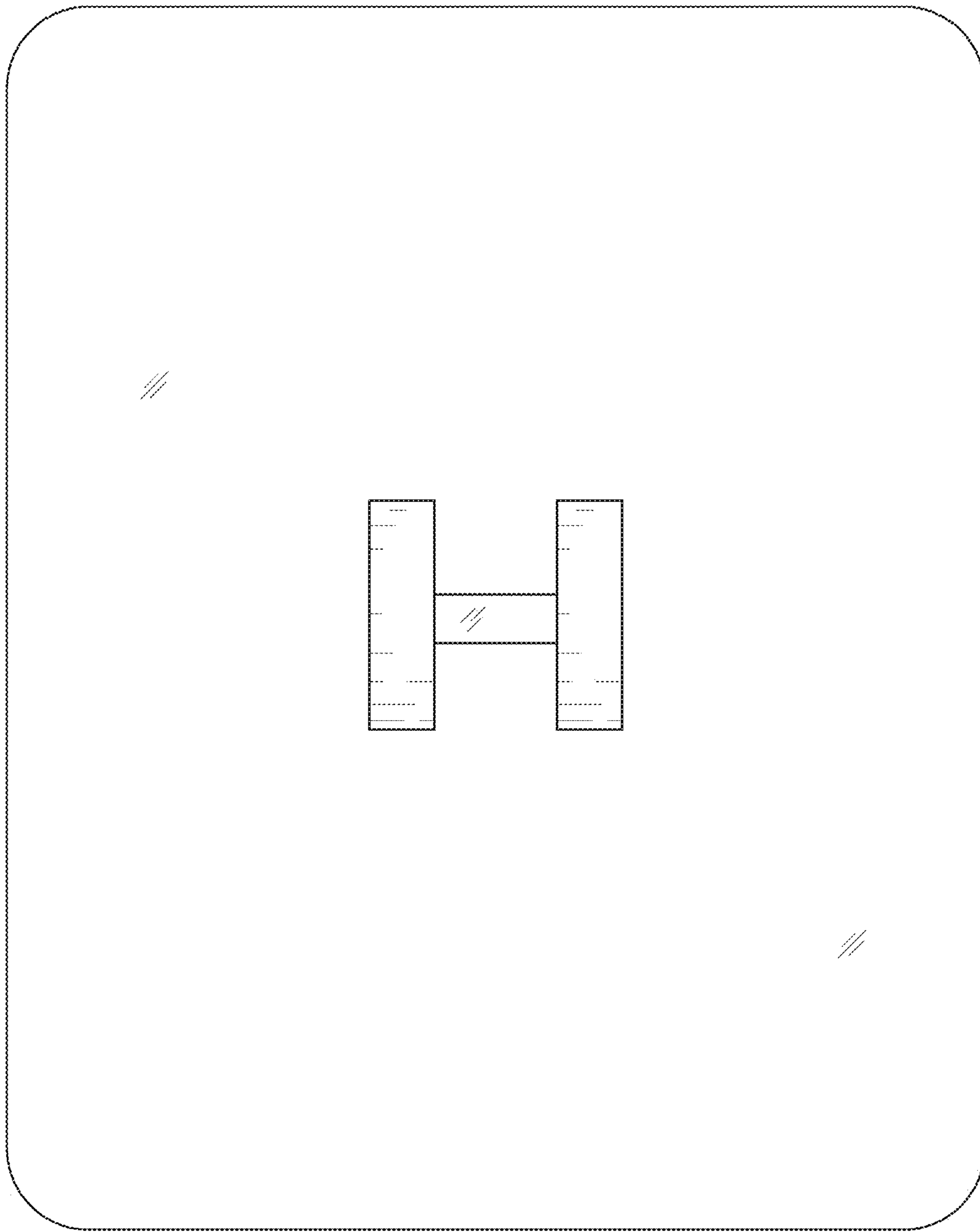


FIG. 4

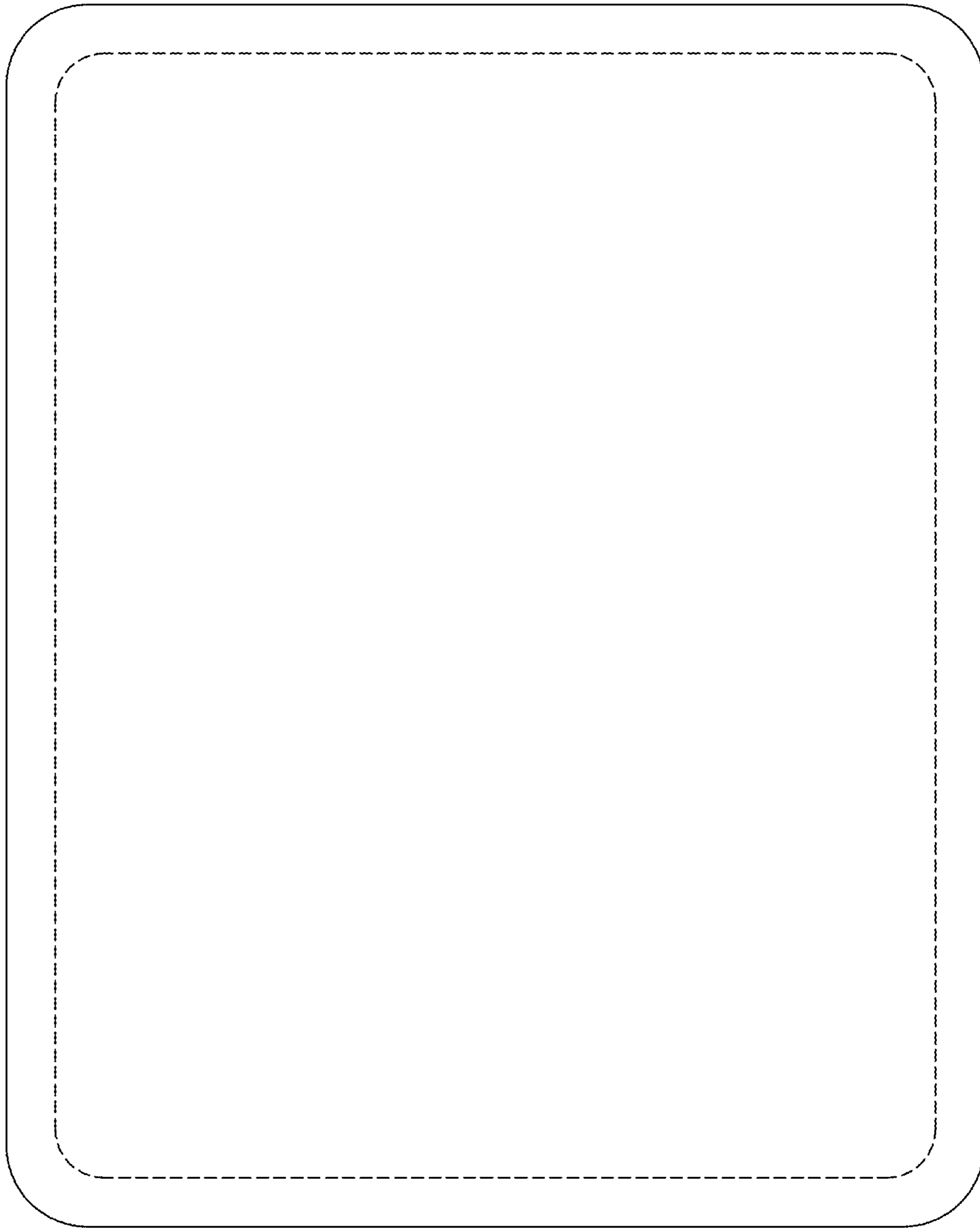


FIG. 5

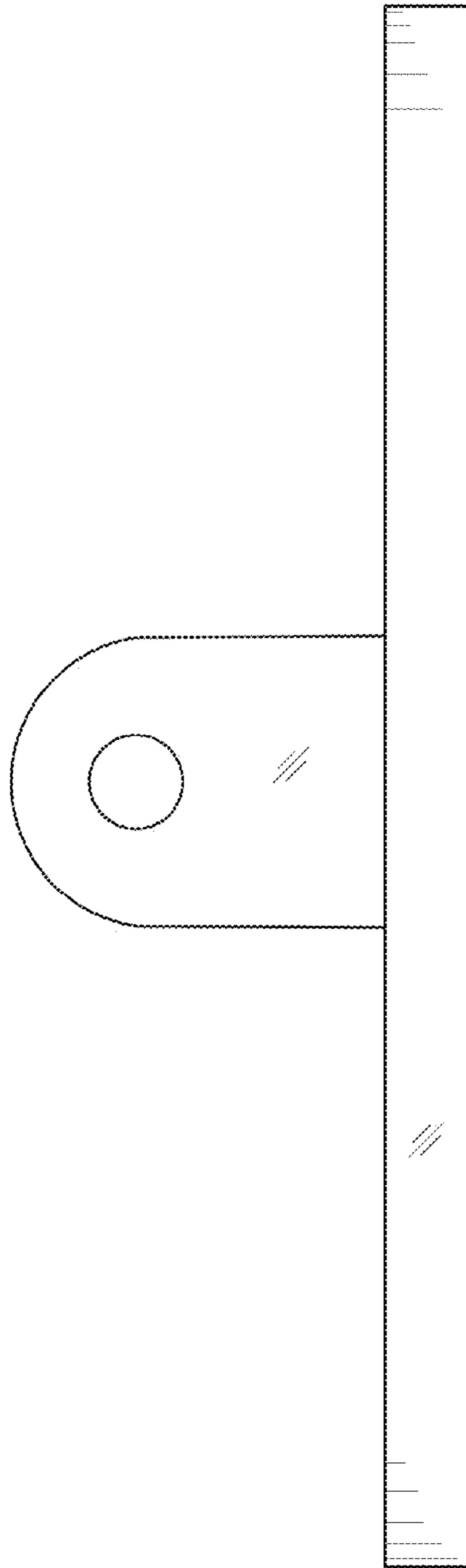


FIG. 6



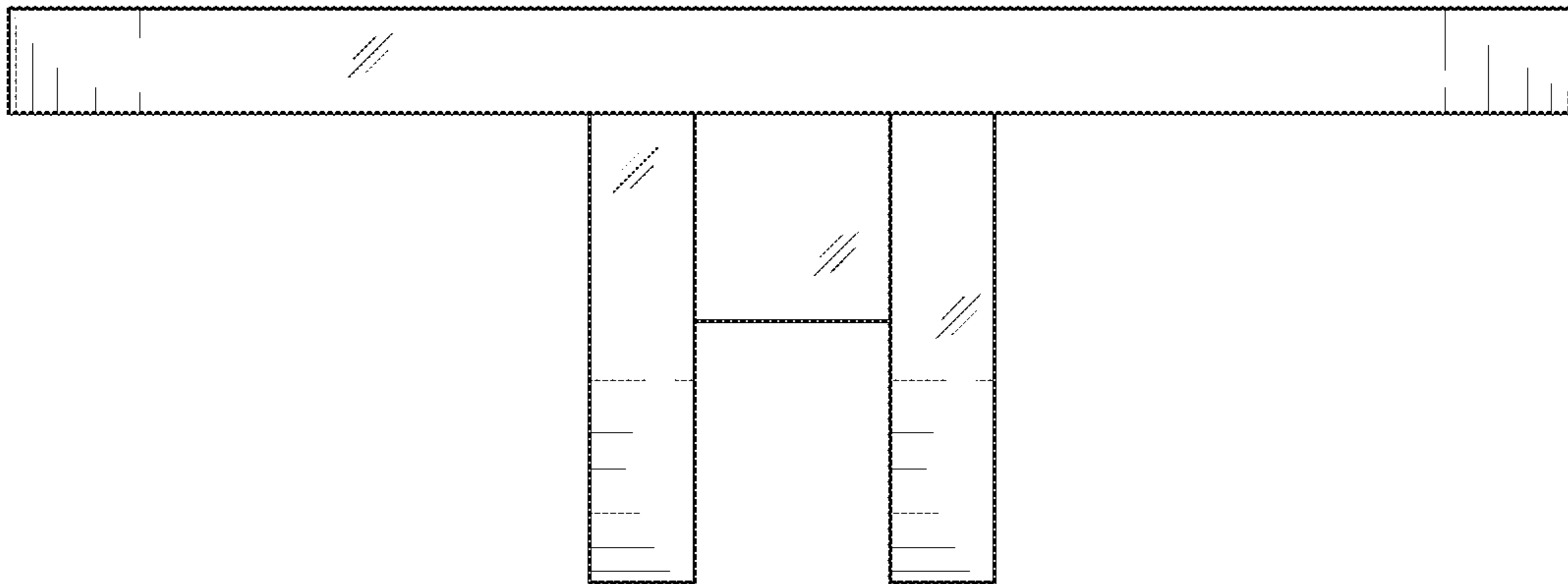


FIG. 7