



US00D972897S

(12) **United States Design Patent** (10) **Patent No.:** **US D972,897 S**
Xu (45) **Date of Patent:** **** Dec. 20, 2022**

(54) **LUNCH BOX**
(71) Applicant: **Dongguan Oumeng Houseware Products Co., Ltd, Guangdong (CN)**
(72) Inventor: **Jingsheng Xu, Hunan (CN)**
(73) Assignee: **DONGGUAN OUMENG HOUSEWARE PRODUCTS CO., LTD, Dongguan (CN)**

D400,011 S * 10/1998 Palmer D3/294
D481,910 S * 11/2003 Kim D7/629
D505,839 S * 6/2005 Stanos D7/629
(Continued)

FOREIGN PATENT DOCUMENTS

CN 302319708 S 2/2013
CN 305816696 * 6/2020
(Continued)

(**) Term: **15 Years**
(21) Appl. No.: **29/719,362**
(22) Filed: **Jan. 3, 2020**
(51) **LOC (13) Cl.** **09-07**
(52) **U.S. Cl.**
USPC **D7/629**
(58) **Field of Classification Search**
USPC D7/391, 538, 541, 550.1, 551.1, 551.2,
D7/551.3, 553.1, 553.2, 553.3, 553.4,
D7/553.5, 553.7, 553.8, 554.1, 601, 629,
D7/630, 703, 709; D3/294; D9/420,
D9/425, 426, 429, 432
CPC . A45C 11/20; A47J 47/14; B65D 1/36; B65D
25/04; B65D 21/0206; B65D 2543/00175;
B65D 1/34; B65D 43/162; B65D 43/0218
See application file for complete search history.

OTHER PUBLICATIONS

[Sistema Bento Box Adult Lunch Box with 3 Compartments], available in Amazon.com, date first available Jun. 5, 2017 [online], [site visited Sep. 29, 2022], Available from the internet URL: [https://www.amazon.com/Sistema-21685ZS-Collection-Bento-Received/dp/B071JMJNMY/ref=asc_df_B071JMJNMY/\(Year:2017\).*](https://www.amazon.com/Sistema-21685ZS-Collection-Bento-Received/dp/B071JMJNMY/ref=asc_df_B071JMJNMY/(Year:2017).*)
(Continued)

Primary Examiner — Jae Liang
Assistant Examiner — Ji Sun Yoon
(74) *Attorney, Agent, or Firm* — Wayne IP LLC

(57) **CLAIM**

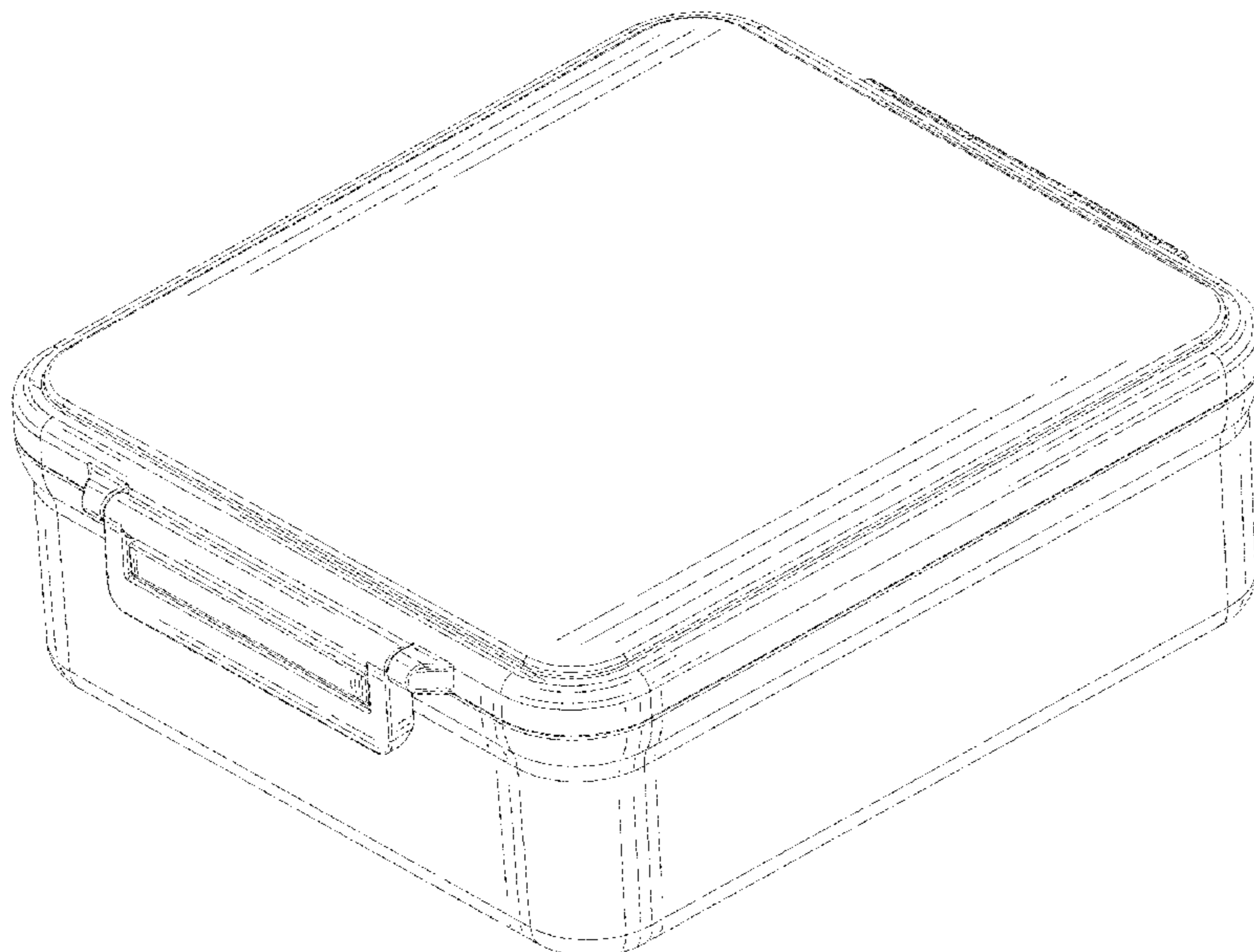
The ornamental design for a lunch box, as shown and described.

DESCRIPTION

FIG. 1 is a perspective view of a lunch box showing my new design;
FIG. 2 is a front elevation view thereof;
FIG. 3 is a back elevation view thereof;
FIG. 4 is a left side view thereof;
FIG. 5 is a right side view thereof;
FIG. 6 is a top plan view thereof; and,
FIG. 7 is a bottom plan view thereof.
The broken lines in the drawing depict environmental subject matter only and form no part of the claimed design.

(56) **References Cited**
U.S. PATENT DOCUMENTS
D263,015 S * 2/1982 Loncasty D7/709
4,412,630 A * 11/1983 Daenen B65D 43/0218
220/792
D279,952 S * 8/1985 Daenen D9/425
4,917,261 A * 4/1990 Borst B65D 43/162
D7/538
D336,018 S * 6/1993 Smith D9/425
D355,814 S * 2/1995 VanValkenburg D7/629

1 Claim, 7 Drawing Sheets



(56)

References Cited

U.S. PATENT DOCUMENTS

D516,388 S * 3/2006 Wells D7/629
 D590,666 S * 4/2009 Wang D7/629
 D620,318 S * 7/2010 Bizzell D7/541
 D631,300 S * 1/2011 Samartgis D7/630
 D651,479 S * 1/2012 Nie D7/629
 D660,094 S * 5/2012 Kyung D7/629
 D750,423 S * 3/2016 Shirley D7/391
 D808,794 S * 1/2018 Yessin D9/425
 D825,285 S * 8/2018 Bergne D7/629
 D826,005 S * 8/2018 Walters Pennington D7/629
 D829,545 S * 10/2018 Thurin D9/425
 D874,920 S * 2/2020 Lindsay D9/420
 D880,957 S * 4/2020 Jingsheng
 D899,200 S * 10/2020 Xu D7/629
 D937,044 S * 11/2021 Huckestein D9/426
 D949,637 S * 4/2022 Earle D7/629
 D951,037 S * 5/2022 El Hassan D7/703
 D951,727 S * 5/2022 Zhong
 D956,483 S * 7/2022 Nam D7/629
 2014/0103033 A1 * 4/2014 Beckman B65D 1/34
 220/4.01

FOREIGN PATENT DOCUMENTS

CN 307069738 * 1/2022
 EM 007471081-0001 * 1/2020
 GB 9007471081-0001 * 1/2020

OTHER PUBLICATIONS

[OmieBox Bento Box for Kids], available in Amazon.com, date first available Dec. 10, 2015 [online], [site visited Sep. 29, 2022], Available from the internet URL: <https://www.amazon.com/OmieBox-Bento-Box-Kids-Compartments/dp/B017SGKZUI> (Year: 2015).*

[ABTACT Leak-Proof Bento Lunch Box], available in Amazon.com, date first available Sep. 19, 2021 [online], [site visited Sep. 29, 2022], Available from the internet URL: <https://www.amazon.com/ABTACT-4-Compartment-Container-Removable-Dishwasher/dp/B09GFH2R1Z> (Year: 2021).*

* cited by examiner

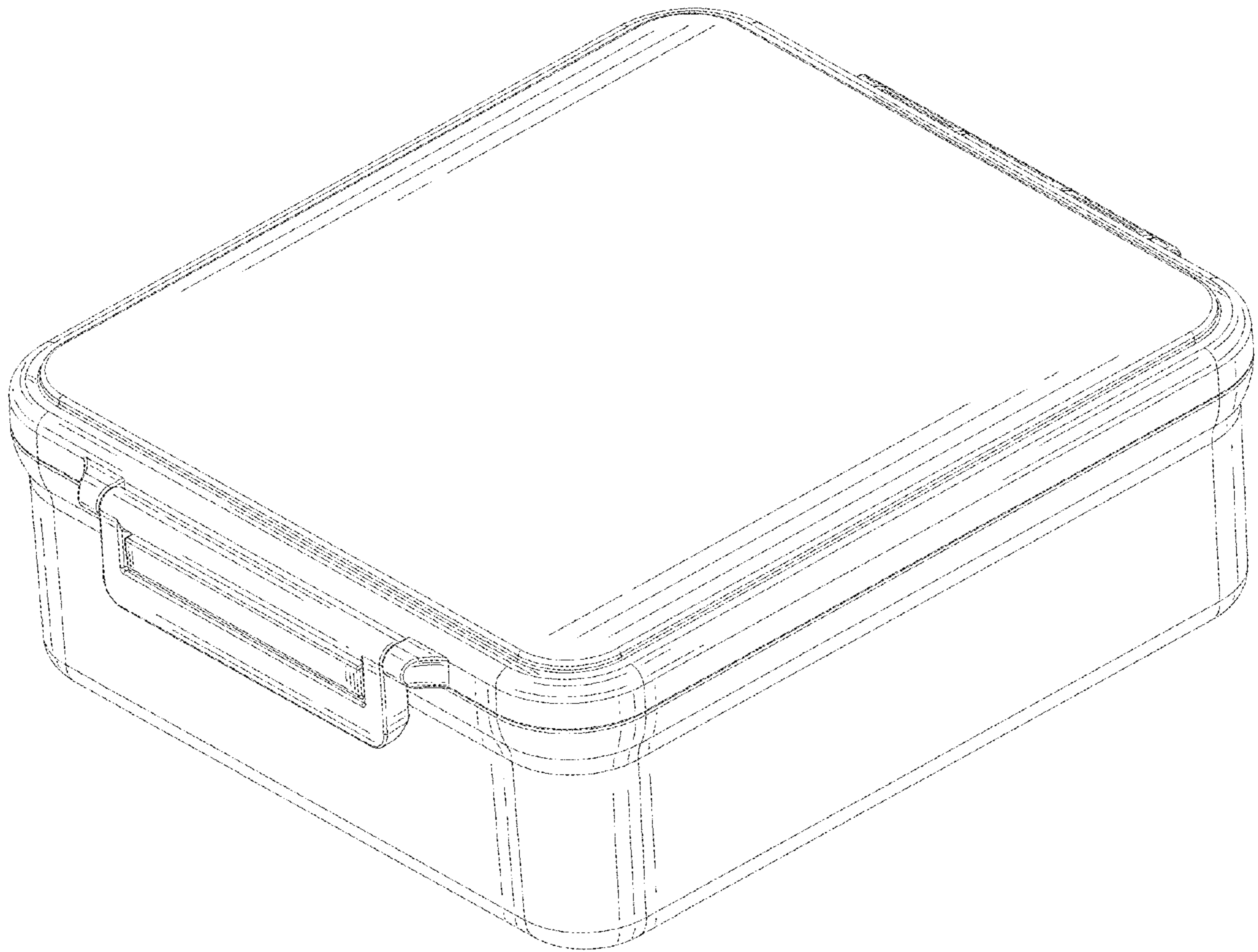


FIG. 1

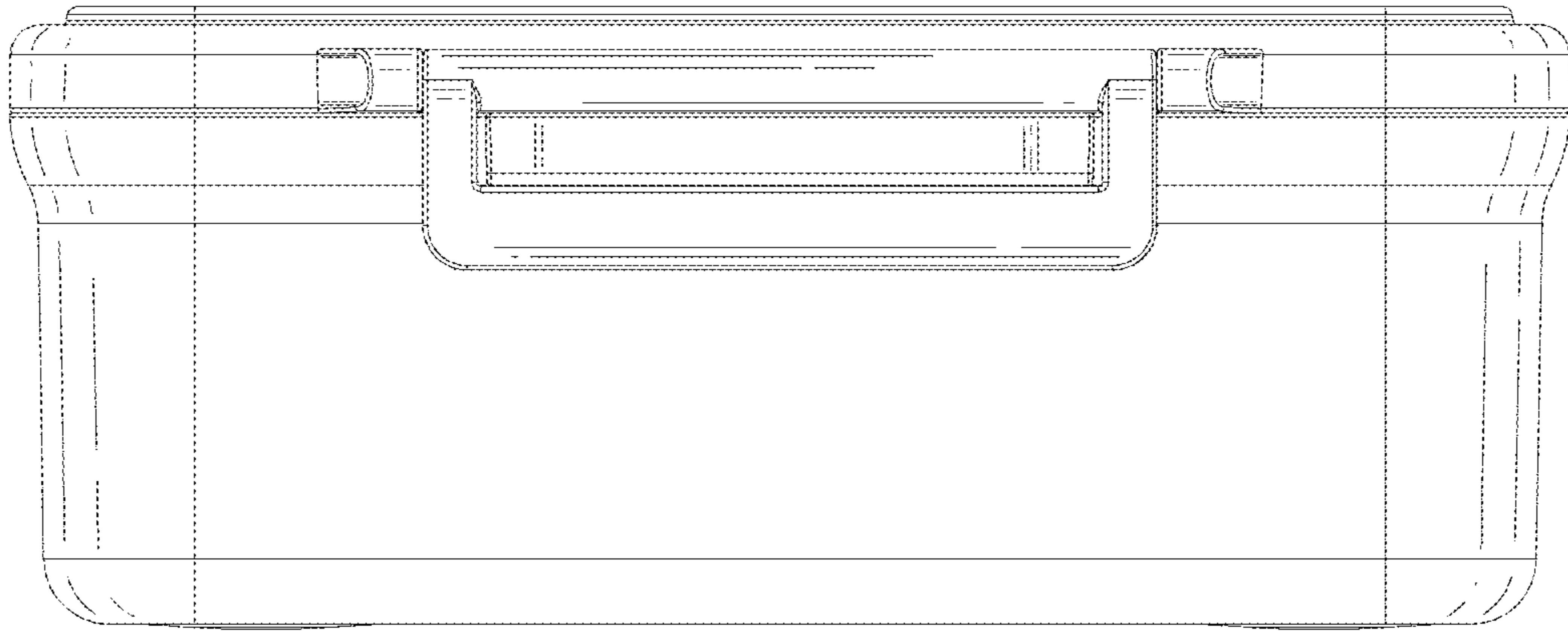


FIG. 2

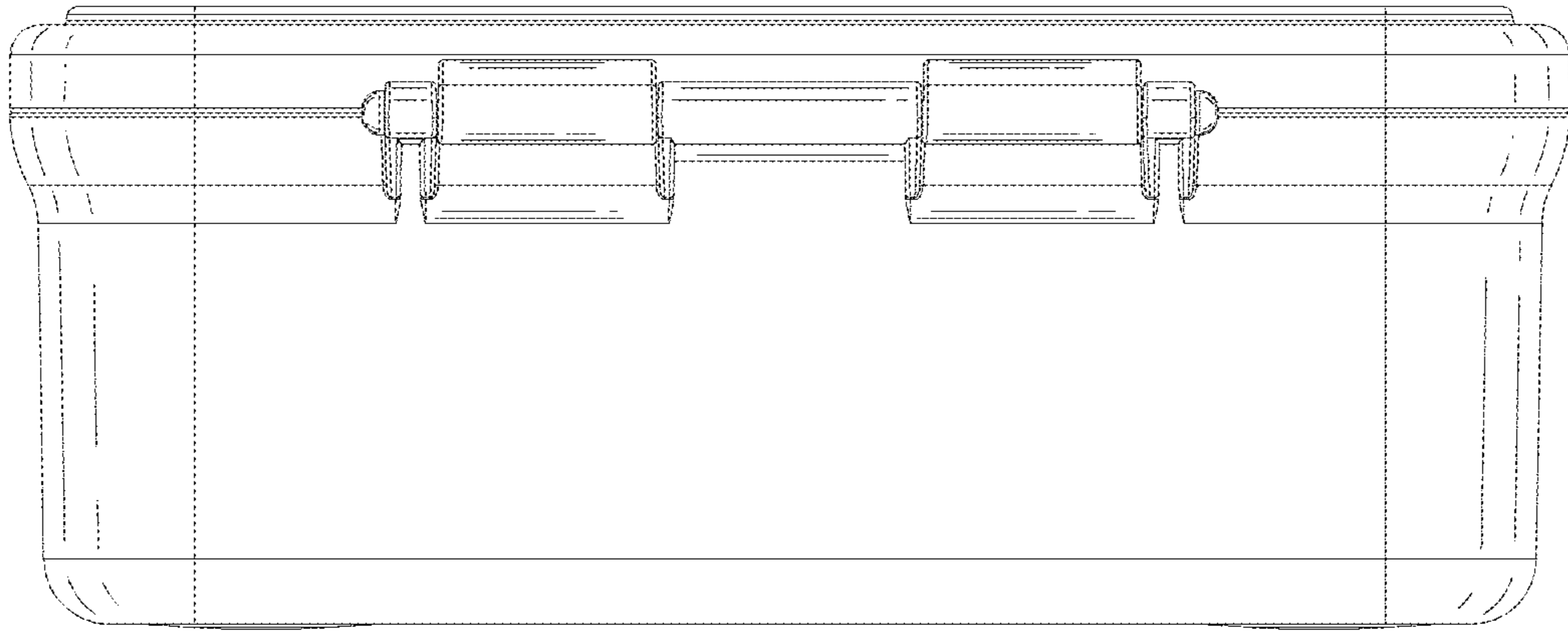


FIG. 3



FIG. 4

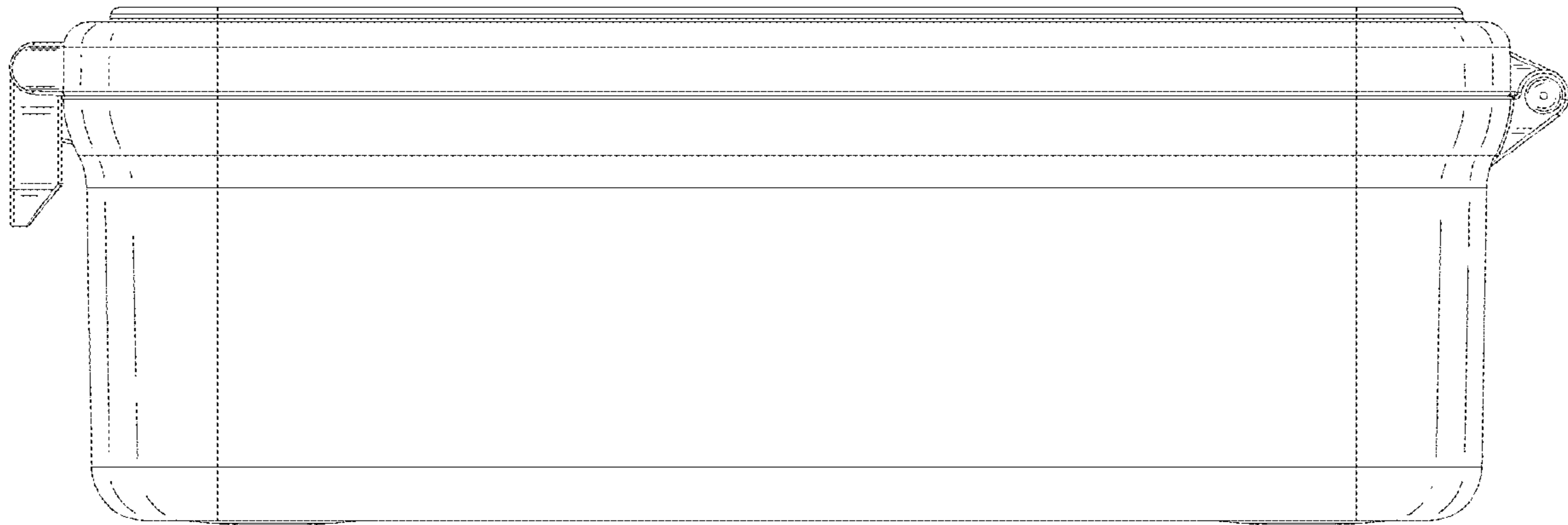


FIG. 5

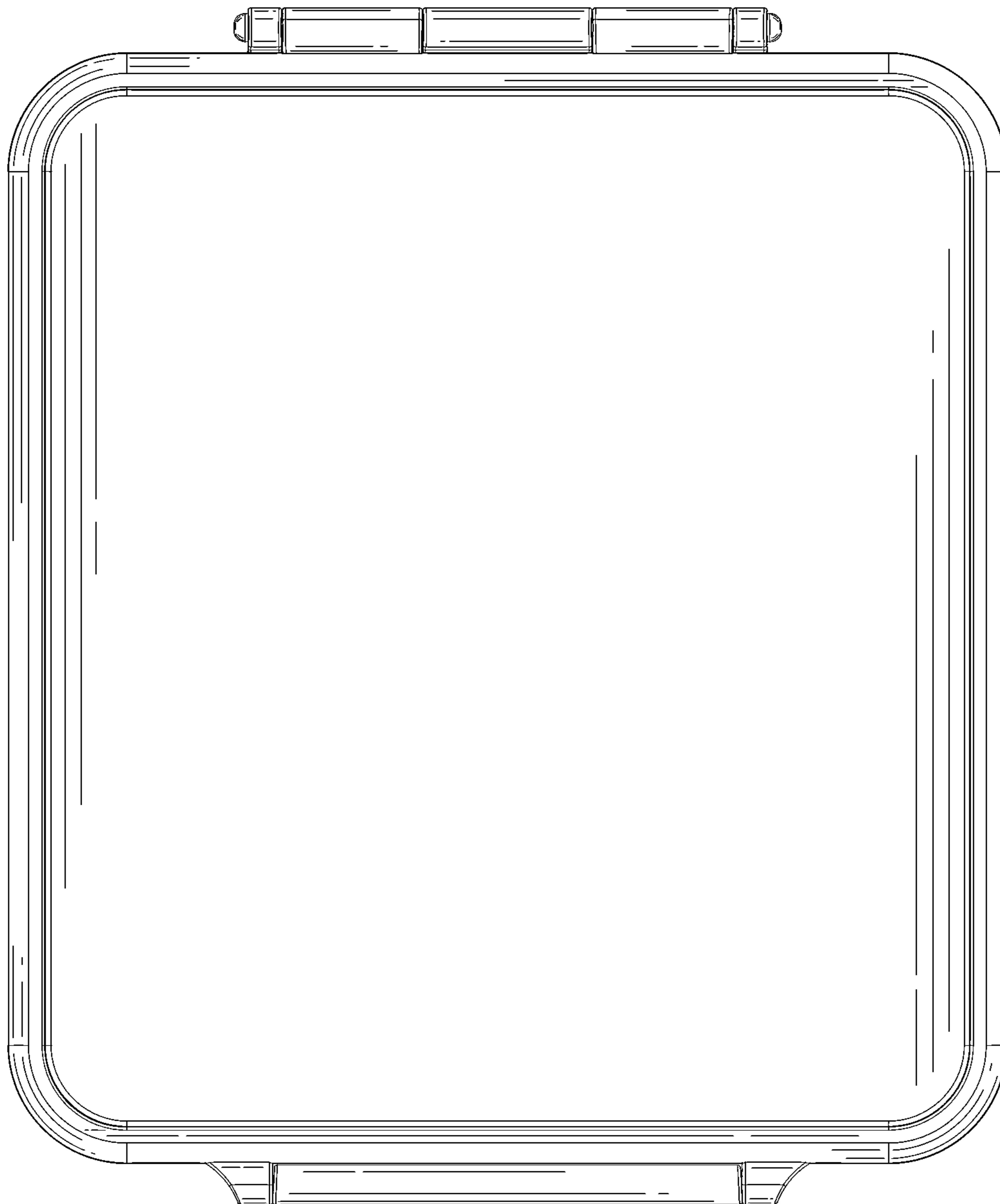


FIG. 6

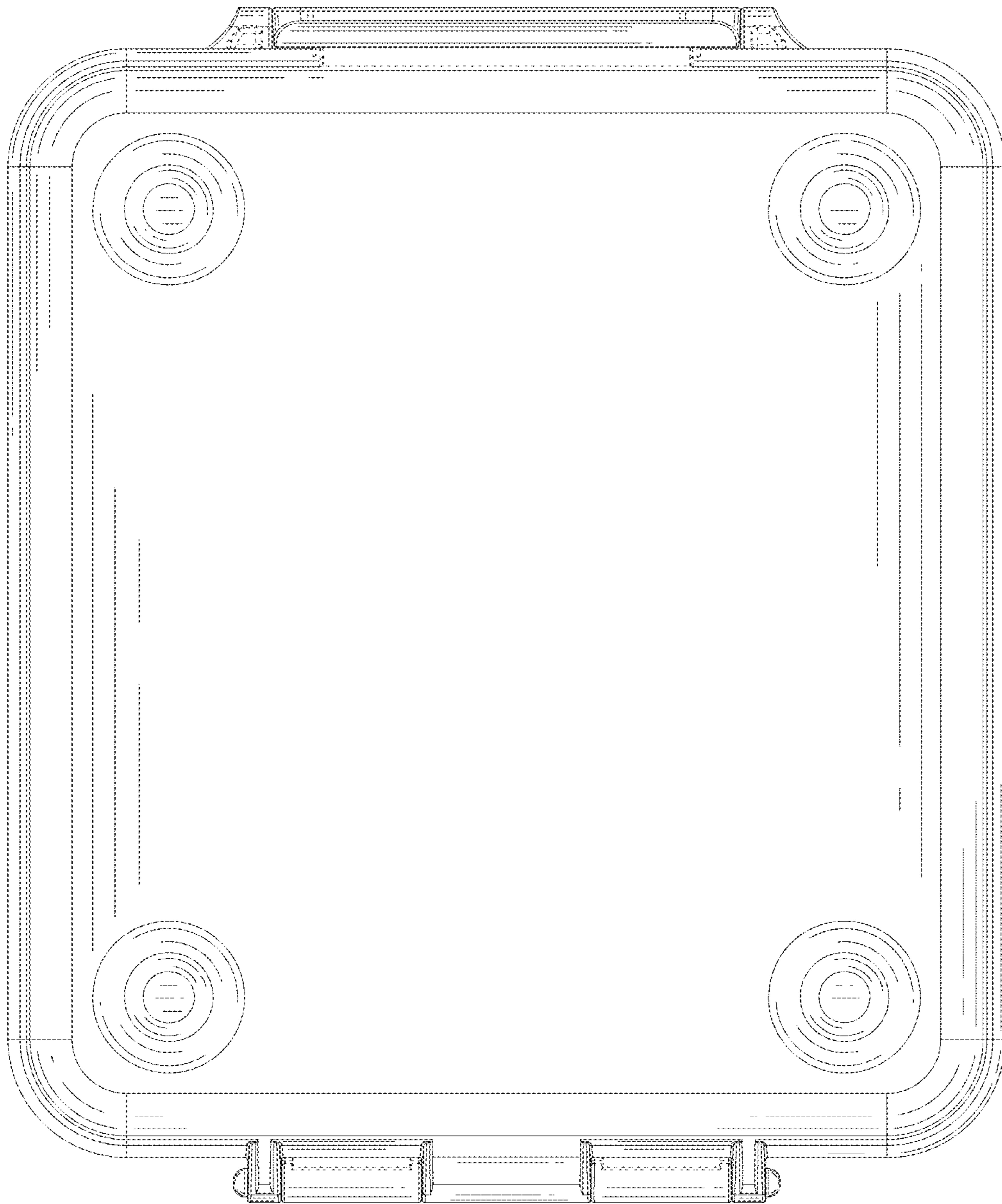


FIG. 7