



US00D972896S

(12) **United States Design Patent**  
**McCarry**

(10) **Patent No.:** **US D972,896 S**

(45) **Date of Patent:** **\*\* Dec. 20, 2022**

(54) **CANISTER RACK**

3,008,788 A \* 11/1961 Garner ..... A47B 77/16  
312/351

(71) Applicant: **Goat Outdoor, Inc.**, Houston, TX (US)

D281,213 S \* 11/1985 James ..... D7/614  
D330,813 S \* 11/1992 Spitzer ..... 211/153

(72) Inventor: **Joe McCarry**, Pittsburgh, PA (US)

**OTHER PUBLICATIONS**

(73) Assignee: **Goat Outdoor, Inc.**, Houston, TX (US)

Amazon.com, The Pioneer Woman, Vintage Floral 6 Ceramic Drawers Spice/Tea Box, ASIN: B077VG5Z8B, 8 pages, date first available Sep. 19, 2018. (Year: 2018).\*

(\*\*) Term: **15 Years**

\* cited by examiner

(21) Appl. No.: **29/747,606**

*Primary Examiner* — Terry A Wallace

(22) Filed: **Aug. 24, 2020**

(74) *Attorney, Agent, or Firm* — Schwartz Law Firm, P.C.

(51) **LOC (13) Cl.** ..... **06-04**

(57) **CLAIM**

(52) **U.S. Cl.**

I claim the ornamental design for a canister rack, as shown and described.

USPC ..... **D7/614**

**DESCRIPTION**

(58) **Field of Classification Search**

USPC ..... D7/701–708, 600.1–600.4, 612–615;  
D6/663, 671, 657

CPC ..... A47B 77/16; A47B 77/04; A47B 77/18;  
B65D 1/04; A47J 47/00

See application file for complete search history.

FIG. 1 is a first perspective view of the canister rack;  
FIG. 2 is a second perspective view of the canister rack;  
FIG. 3 is a front view of the canister rack;  
FIG. 4 is a rear view of the canister rack;  
FIG. 5 is a top view of the canister rack;  
FIG. 6 is a bottom view of the canister rack;  
FIG. 7 is a right side view of the canister rack; and,  
FIG. 8 is a left side view of the canister rack.

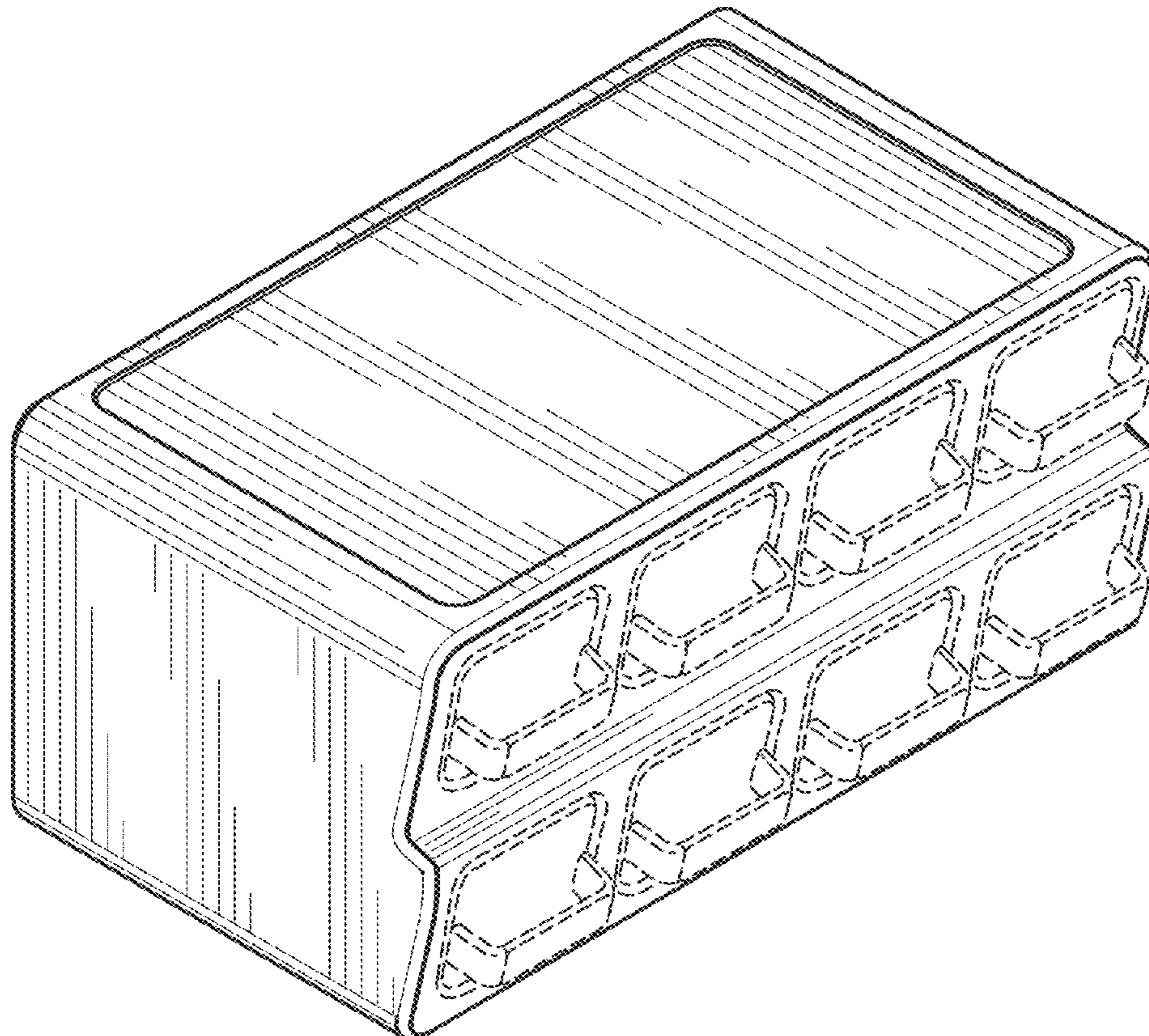
The features shown in the drawings in broken lines represent portions of removal canisters and form no part of the claimed design.

(56) **References Cited**

**U.S. PATENT DOCUMENTS**

67,625 A \* 8/1867 Andrews ..... B65D 1/04  
D7/614  
D186,680 S \* 11/1959 Schechter ..... D7/614

**1 Claim, 5 Drawing Sheets**



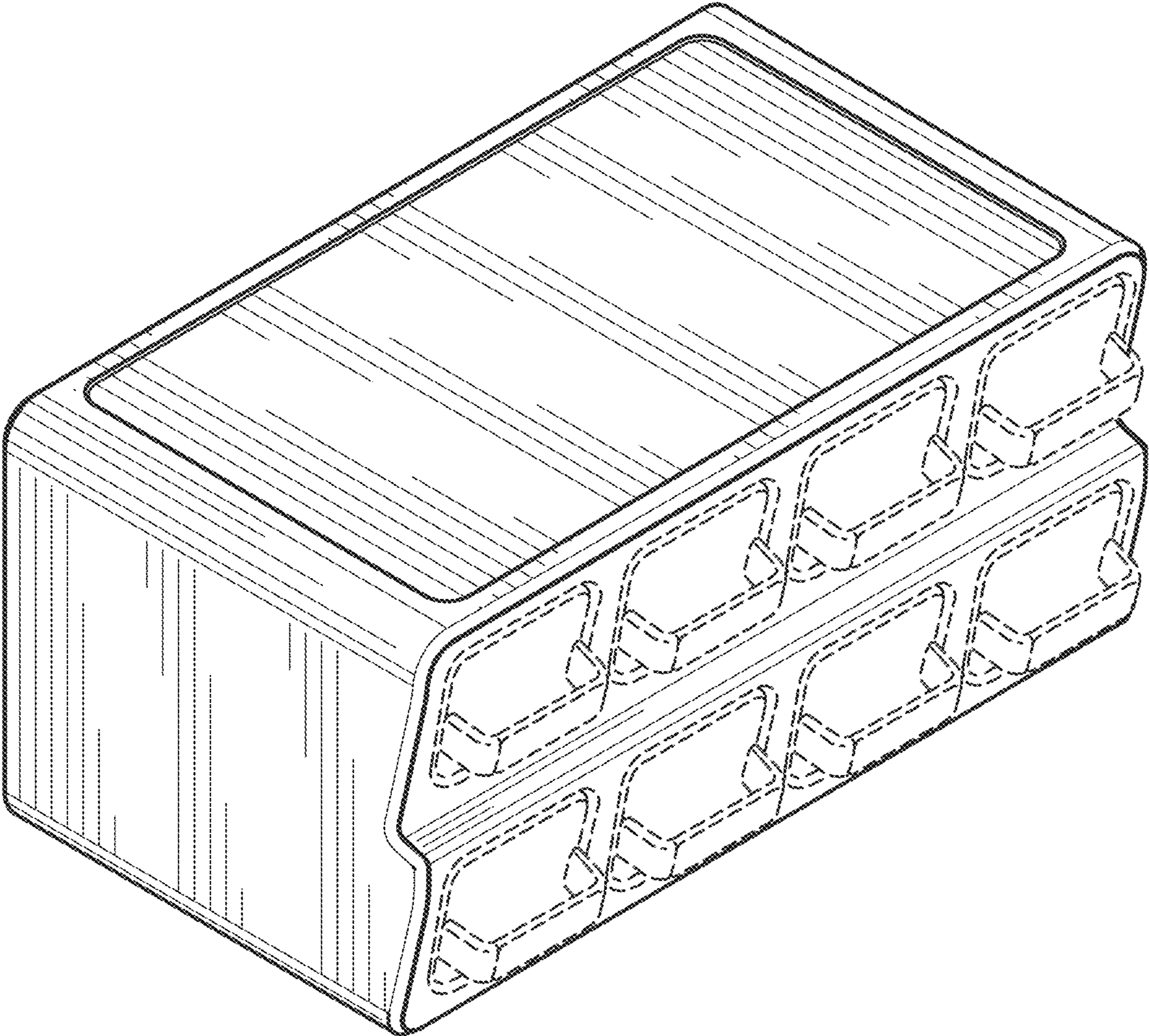


FIG. 1



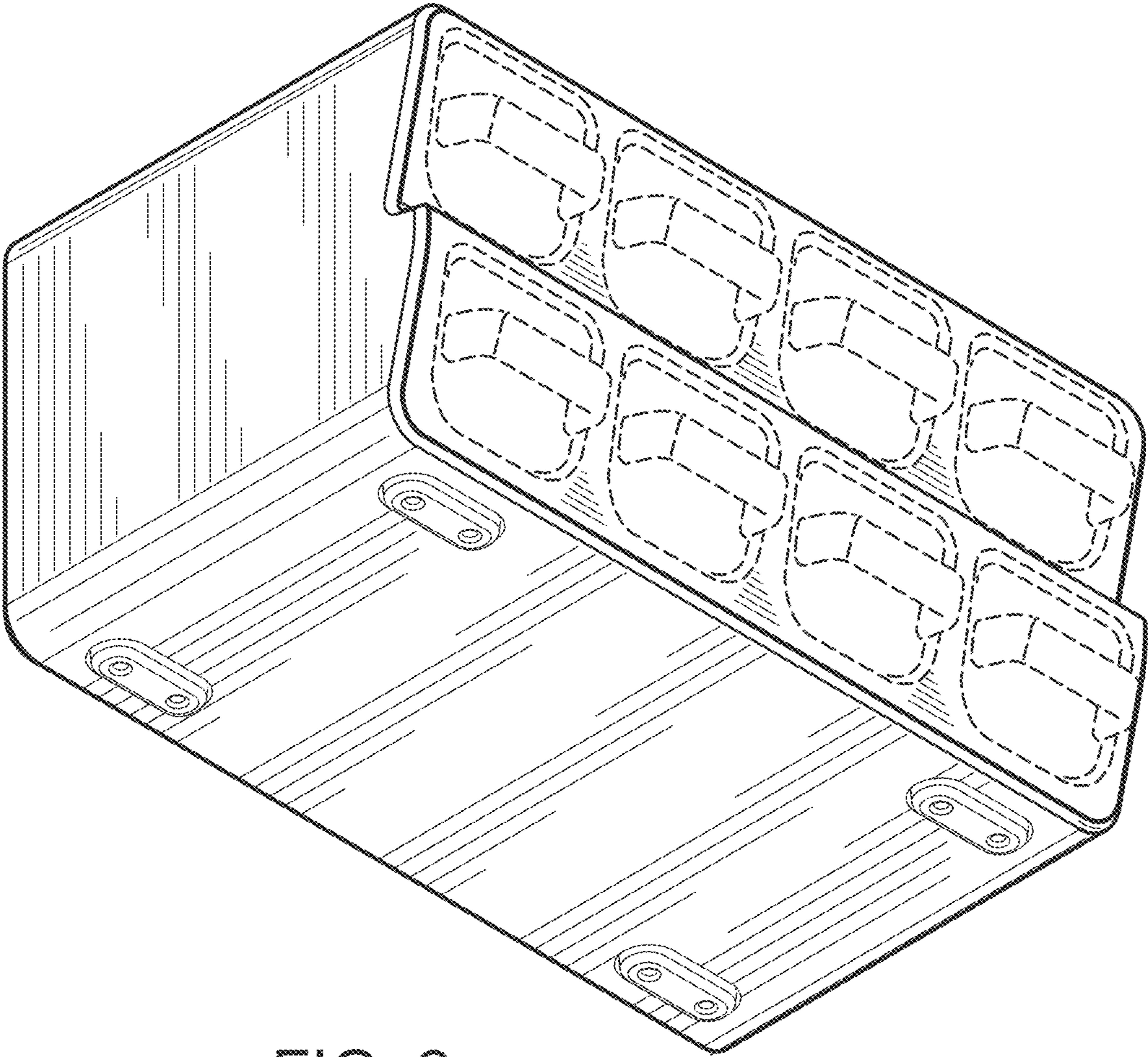


FIG. 2

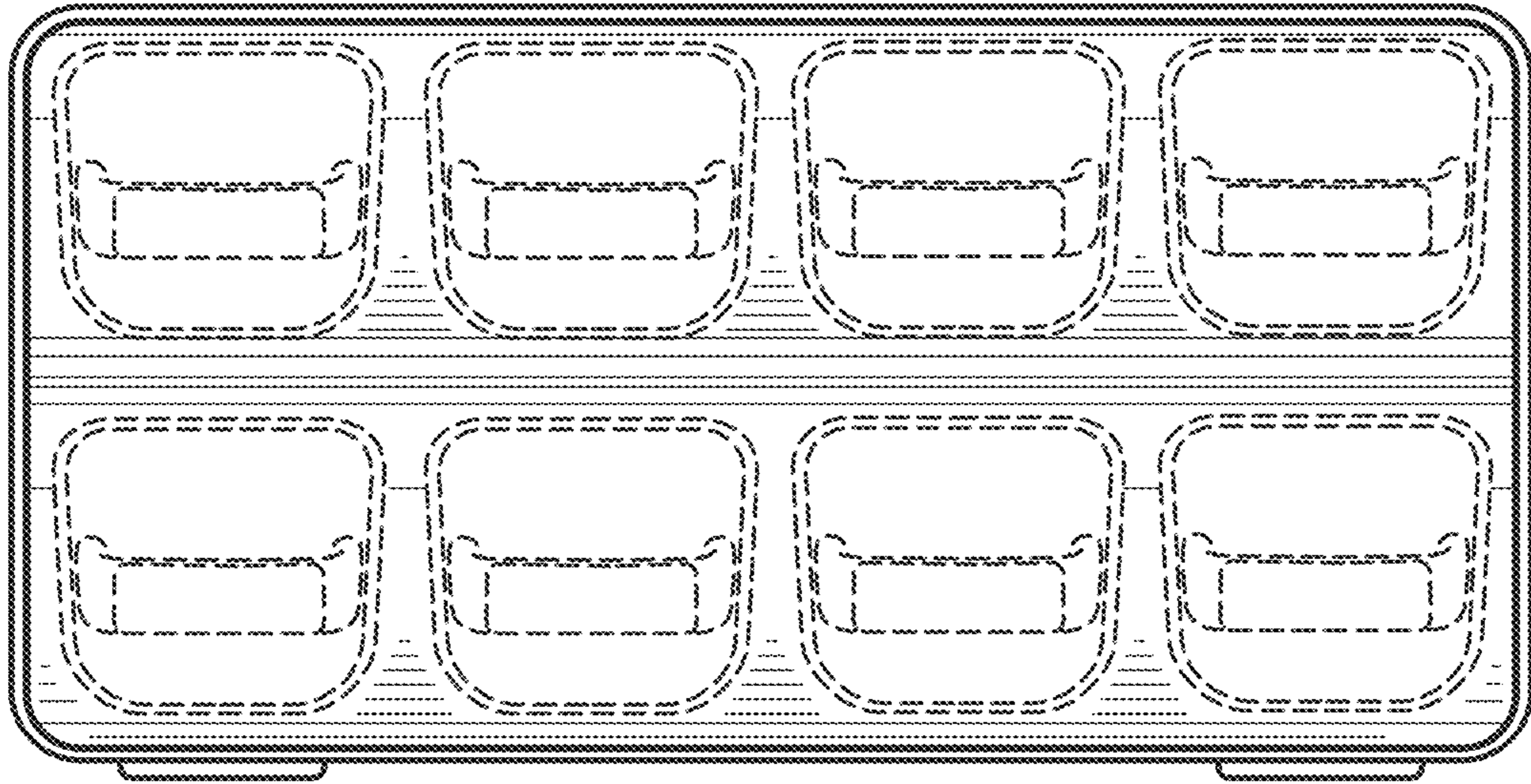


FIG. 3

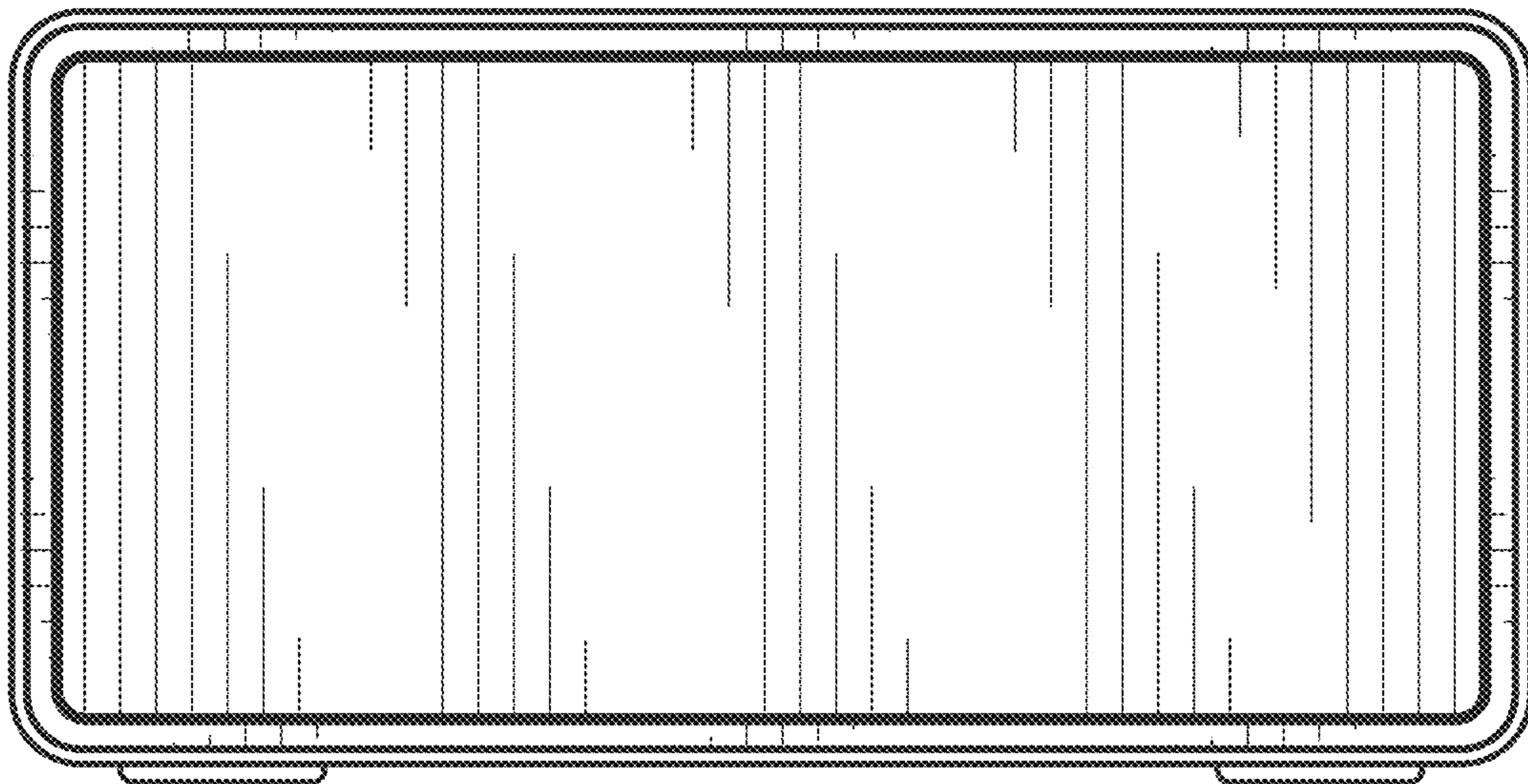


FIG. 4



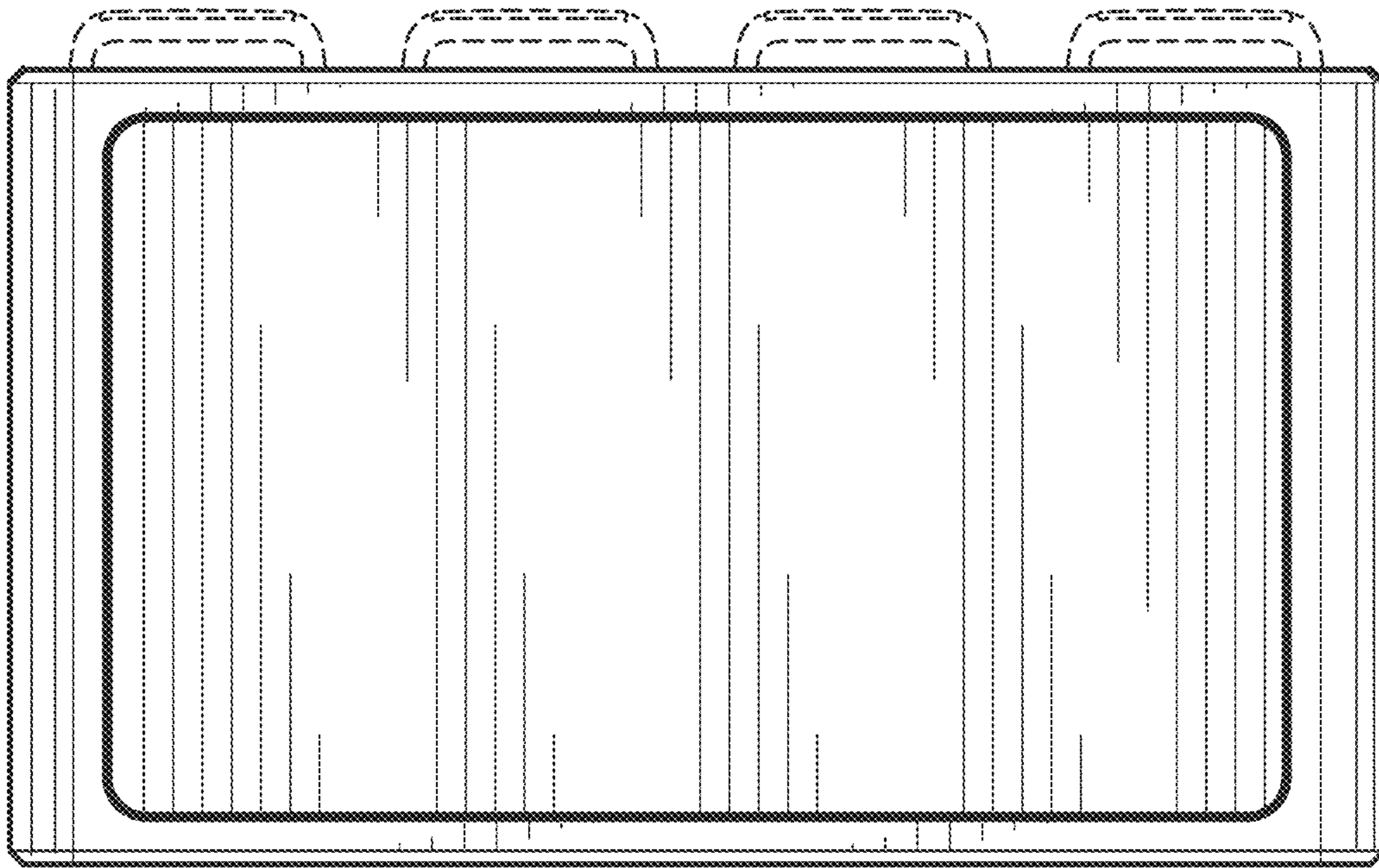


FIG. 5

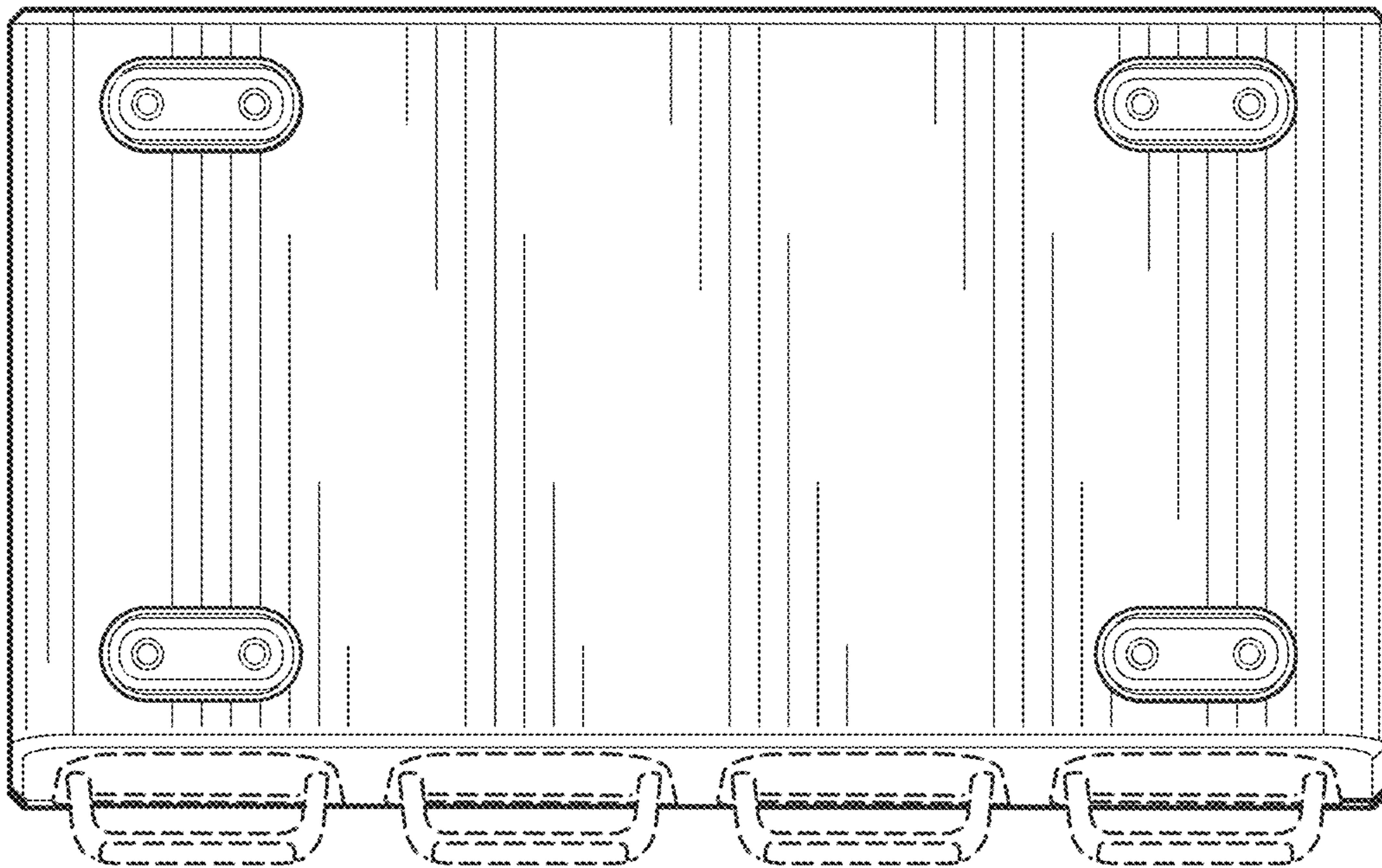


FIG. 6

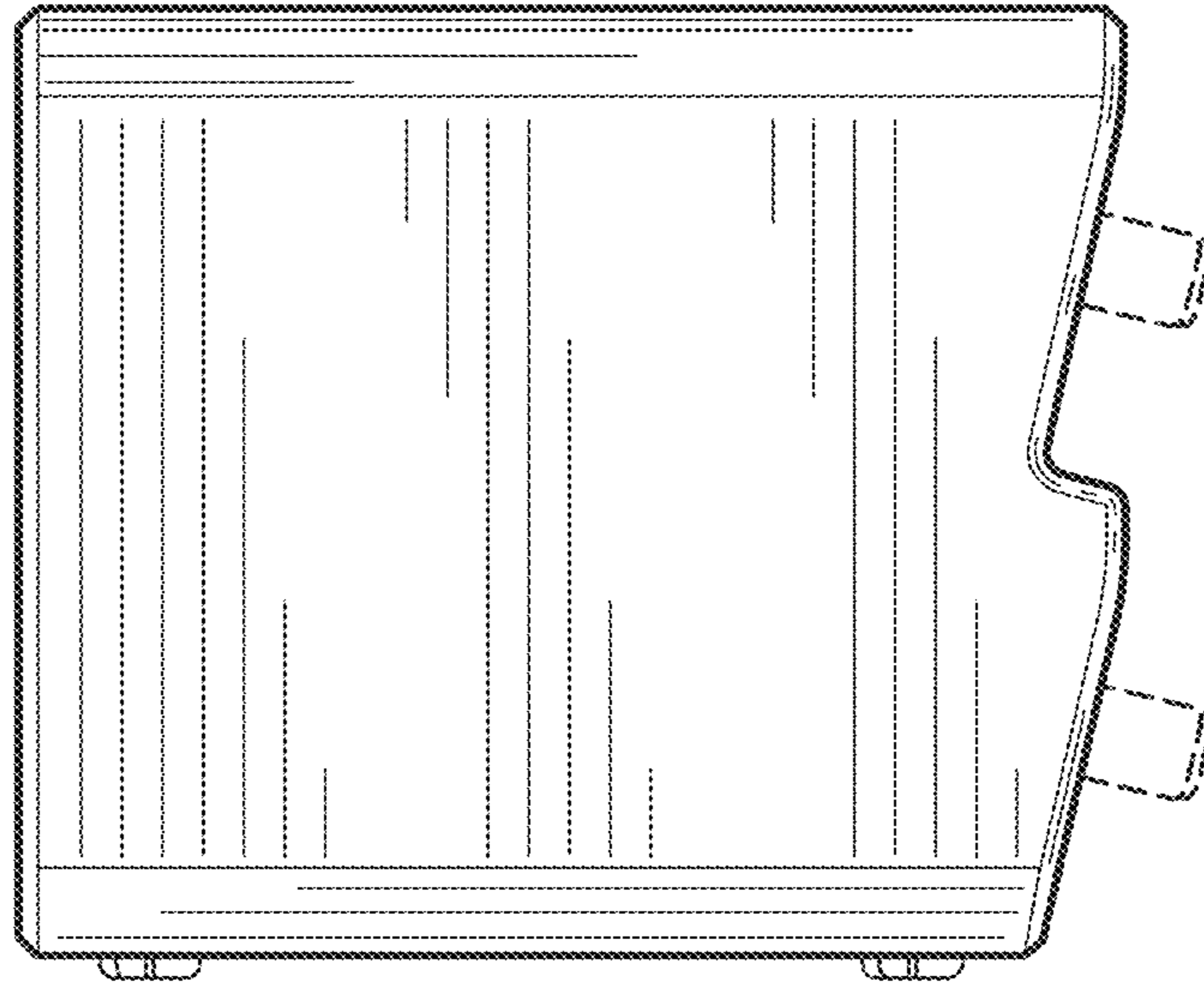


FIG. 7

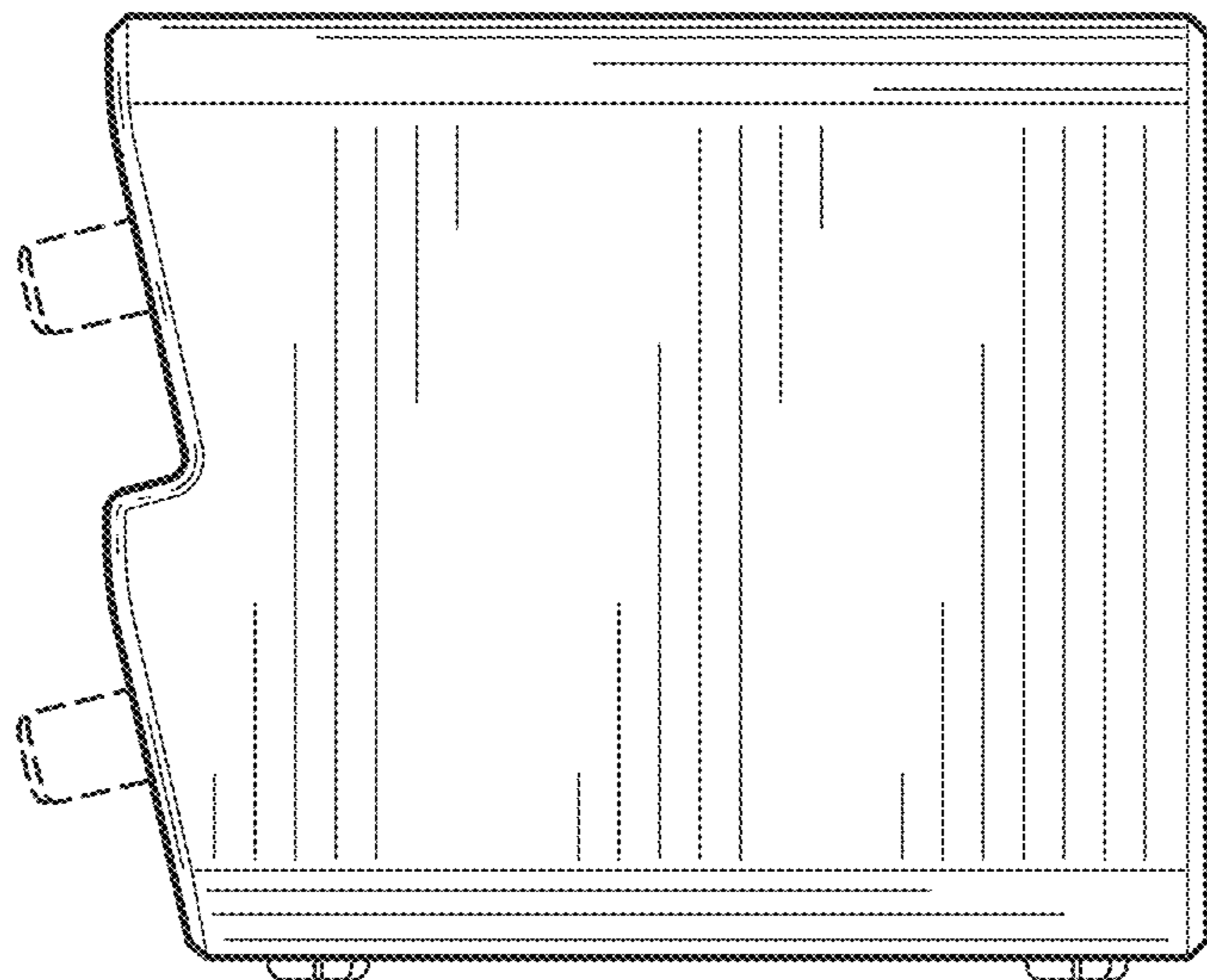


FIG. 8