

US00D972895S

(12) **United States Design Patent** (10) **Patent No.:** **US D972,895 S**  
**Xu** (45) **Date of Patent:** **\*\* Dec. 20, 2022**

(54) **VACUUM BOTTLE**  
(71) Applicant: **Henan Zonghai Import and Export Trading Co., Ltd., Zhengzhou (CN)**  
(72) Inventor: **Cong Xu, Zhengzhou (CN)**

D778,117 S 2/2017 Du  
D778,118 S 2/2017 Du  
D782,880 S \* 4/2017 Matsuo ..... D7/605  
D902,655 S \* 11/2020 Wang ..... D7/510  
D913,046 S 3/2021 Spivey  
D913,047 S 3/2021 Spivey  
D926,523 S 8/2021 Henkel

(\*\*) Term: **15 Years**

**OTHER PUBLICATIONS**

(21) Appl. No.: **29/805,882**  
(22) Filed: **Aug. 31, 2021**  
(51) **LOC (13) Cl.** ..... **07-01**  
(52) **U.S. Cl.**  
USPC ..... **D7/608**  
(58) **Field of Classification Search**  
USPC ..... D7/605–608, 509–511, 300, 320, 321  
CPC ..... B65D 81/3837; B65D 81/3839; B65D 81/3841; B65D 81/3844; B65D 81/3867; B65D 81/3846; B65D 81/3869; B65D 81/3881; B65D 81/3876; B65D 23/10; B65D 23/104; A47J 41/005; A47J 41/0083; A47J 41/02; A47J 41/024; A47J 41/026; A47J 41/0072; A47J 41/028; A47J 41/0077; A47J 41/00; A47J 41/022; A47J 41/0088; F25D 2331/803; F25D 3/08; A45C 11/20; A47G 19/22; A47G 19/2288; A47G 19/2205  
See application file for complete search history.

Amazon.com, OmniRolls, Insulated Water Bottle, SS, Double Wall Vacuum bottle with Handle, ASIN: B09RZHFVPX, 10 pages, date first available Feb. 8, 2022. (Year: 2022).\*  
Amazon.com, Zojirushi, SD-BD20-BP, Water Bottle, ASIN: B084TFT8QP, 8 pages, date first available Jul. 17, 2020. (Year: 2020).\*

\* cited by examiner

*Primary Examiner* — Terry A Wallace  
(74) *Attorney, Agent, or Firm* — Rumit Ranjit Kanakia

(57) **CLAIM**

The ornamental design for a vacuum bottle, as shown and described.

**DESCRIPTION**

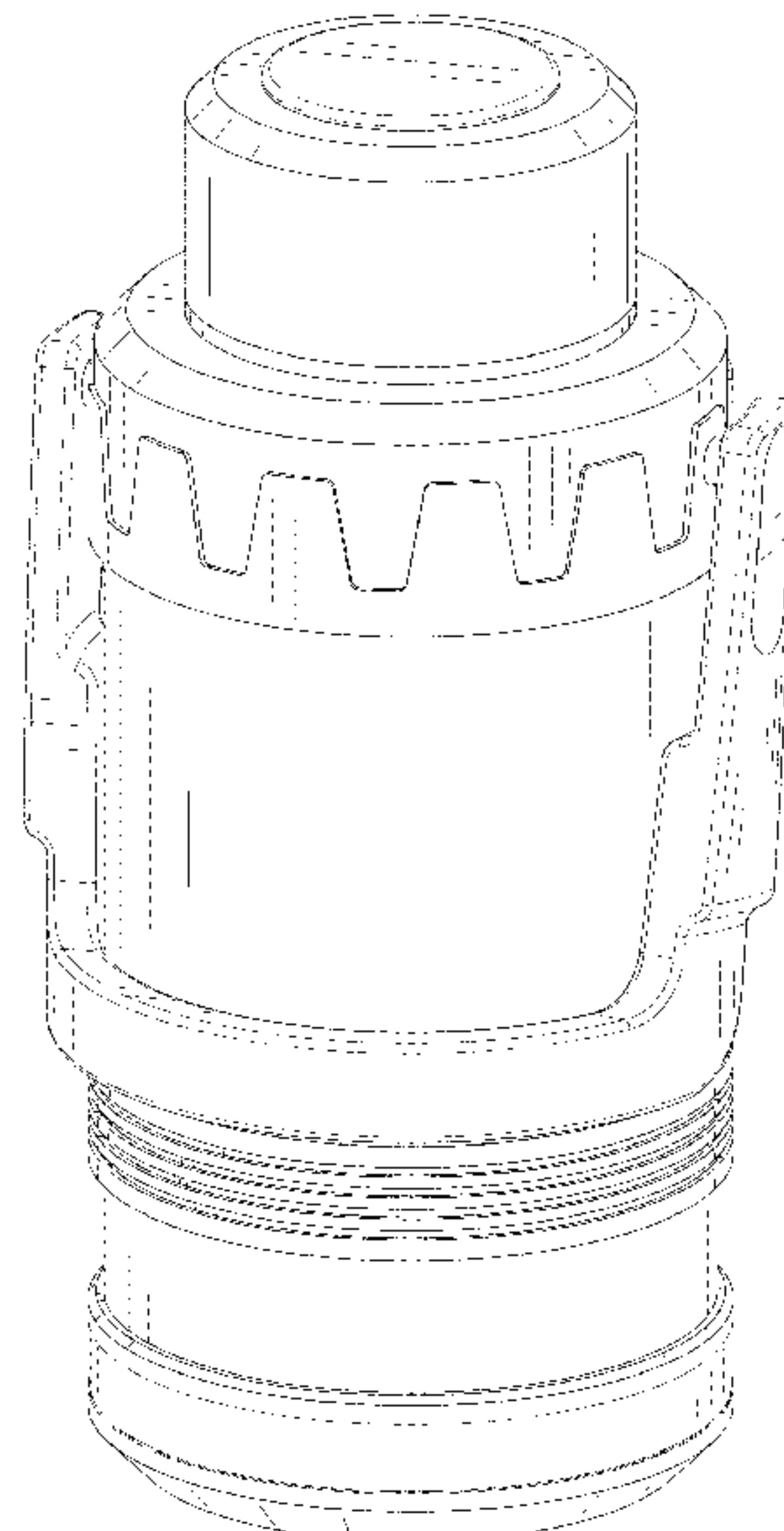
FIG. 1 is a front elevational view of a vacuum bottle showing my new design;  
FIG. 2 is a rear elevational view thereof;  
FIG. 3 is a left side view thereof;  
FIG. 4 is a right side view thereof;  
FIG. 5 is a top plan view thereof;  
FIG. 6 is a bottom plan view thereof;  
FIG. 7 is a perspective view thereof; and,  
FIG. 8 is another perspective view thereof.  
The broken lines in the figures are for the purposes of illustrating portions of the thermos, which form no part of the claimed design.

(56) **References Cited**

**U.S. PATENT DOCUMENTS**

3,286,865 A \* 11/1966 Piker ..... A47J 41/0077  
D7/605  
D259,012 S \* 4/1981 Harris ..... D7/320  
D518,335 S \* 4/2006 Naft ..... A47G 19/2266  
D7/320  
D594,266 S 6/2009 Nakatani  
D645,709 S 9/2011 Endo  
D658,445 S 5/2012 Carreno  
D710,653 S \* 8/2014 Goto ..... D7/608

**1 Claim, 8 Drawing Sheets**



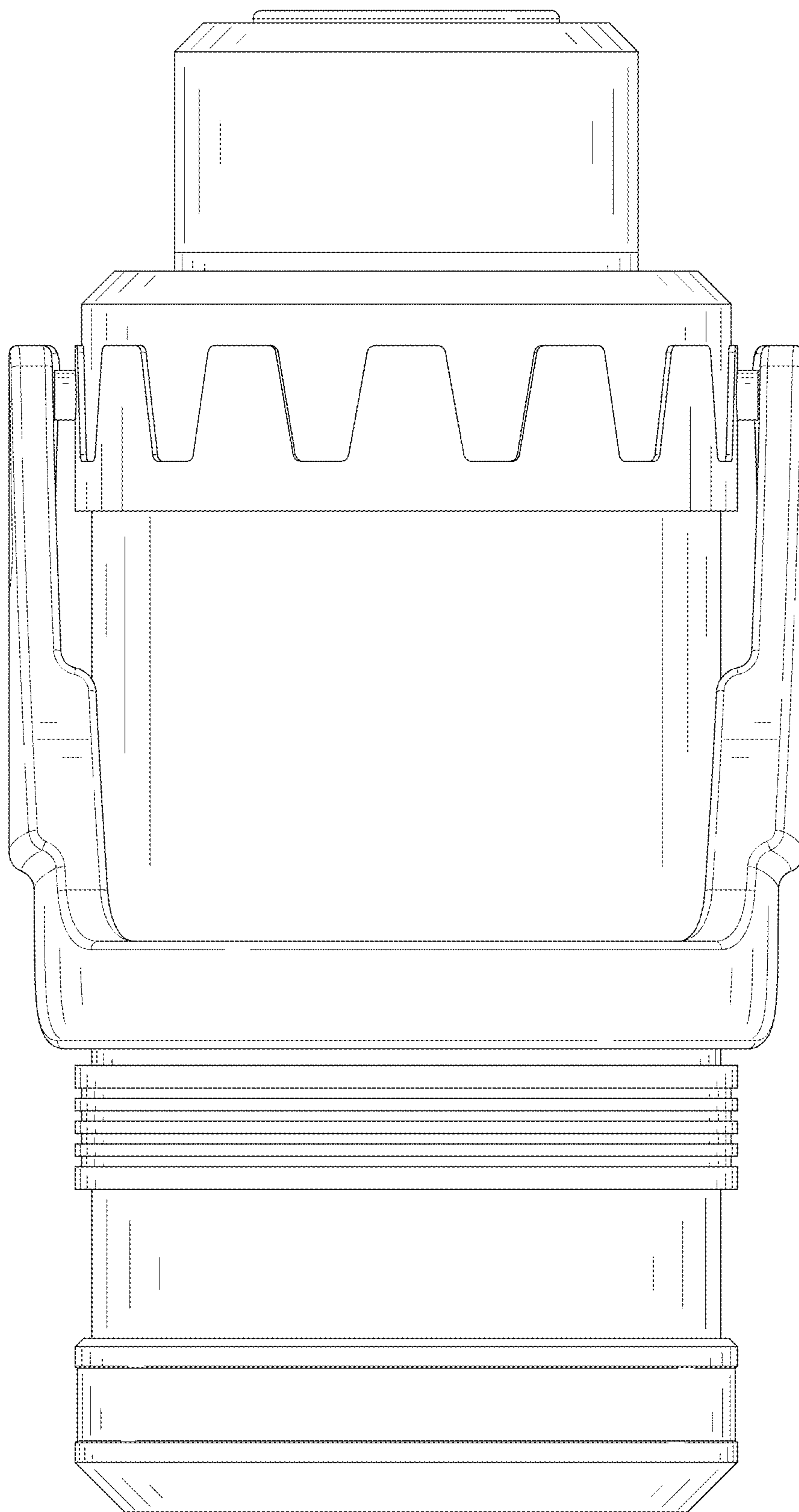


FIG. 1

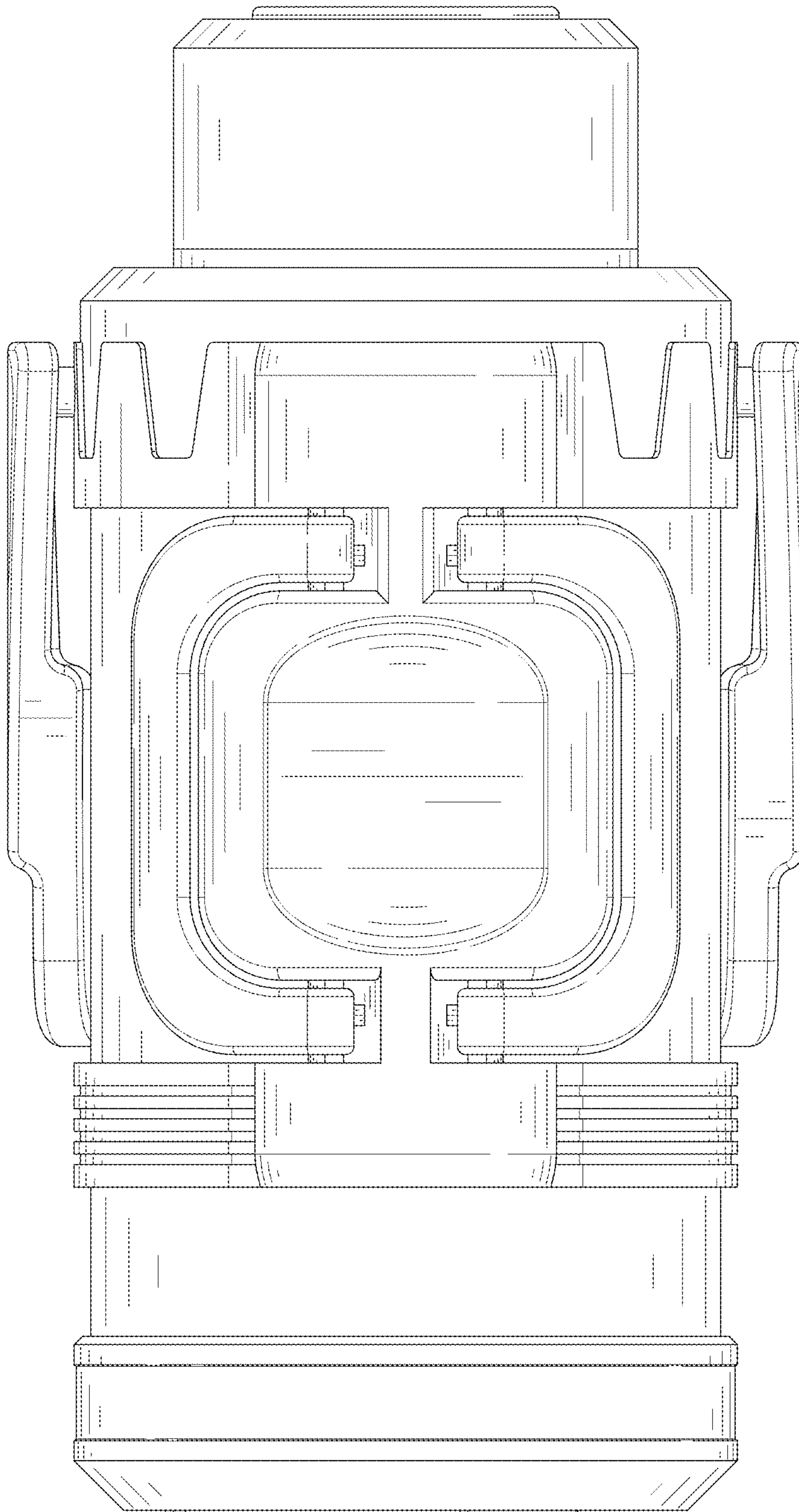


FIG. 2

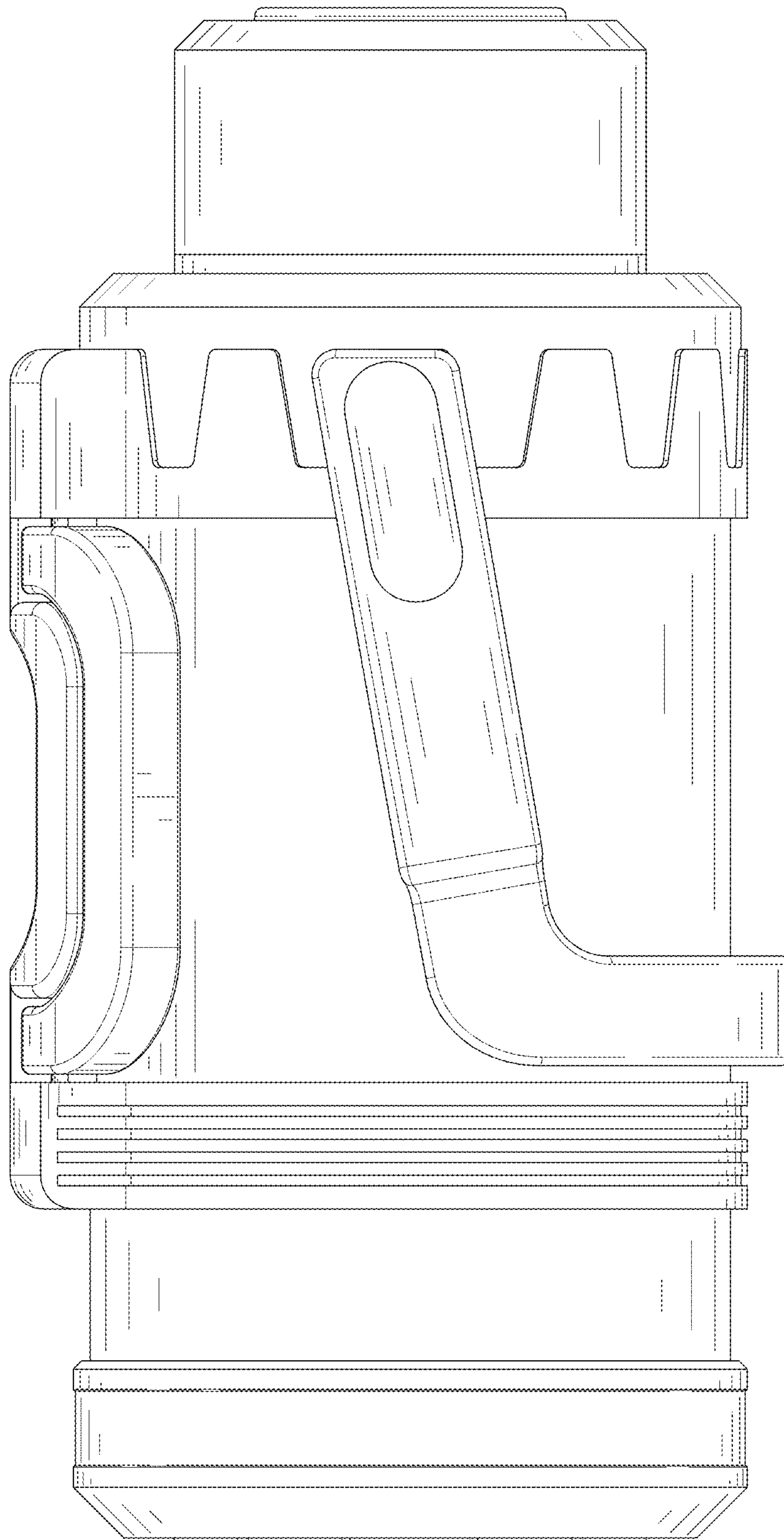


FIG. 3



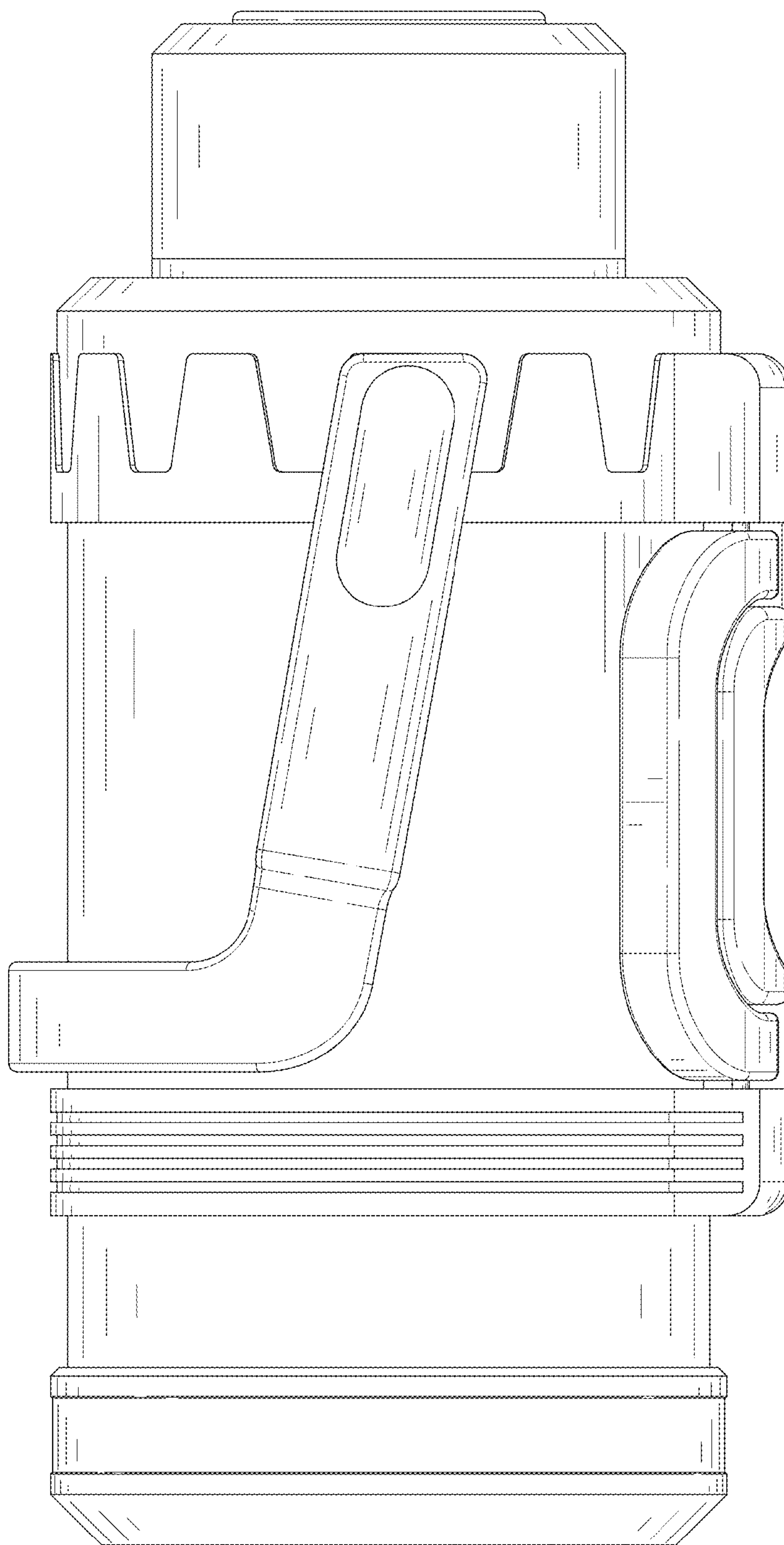


FIG. 4

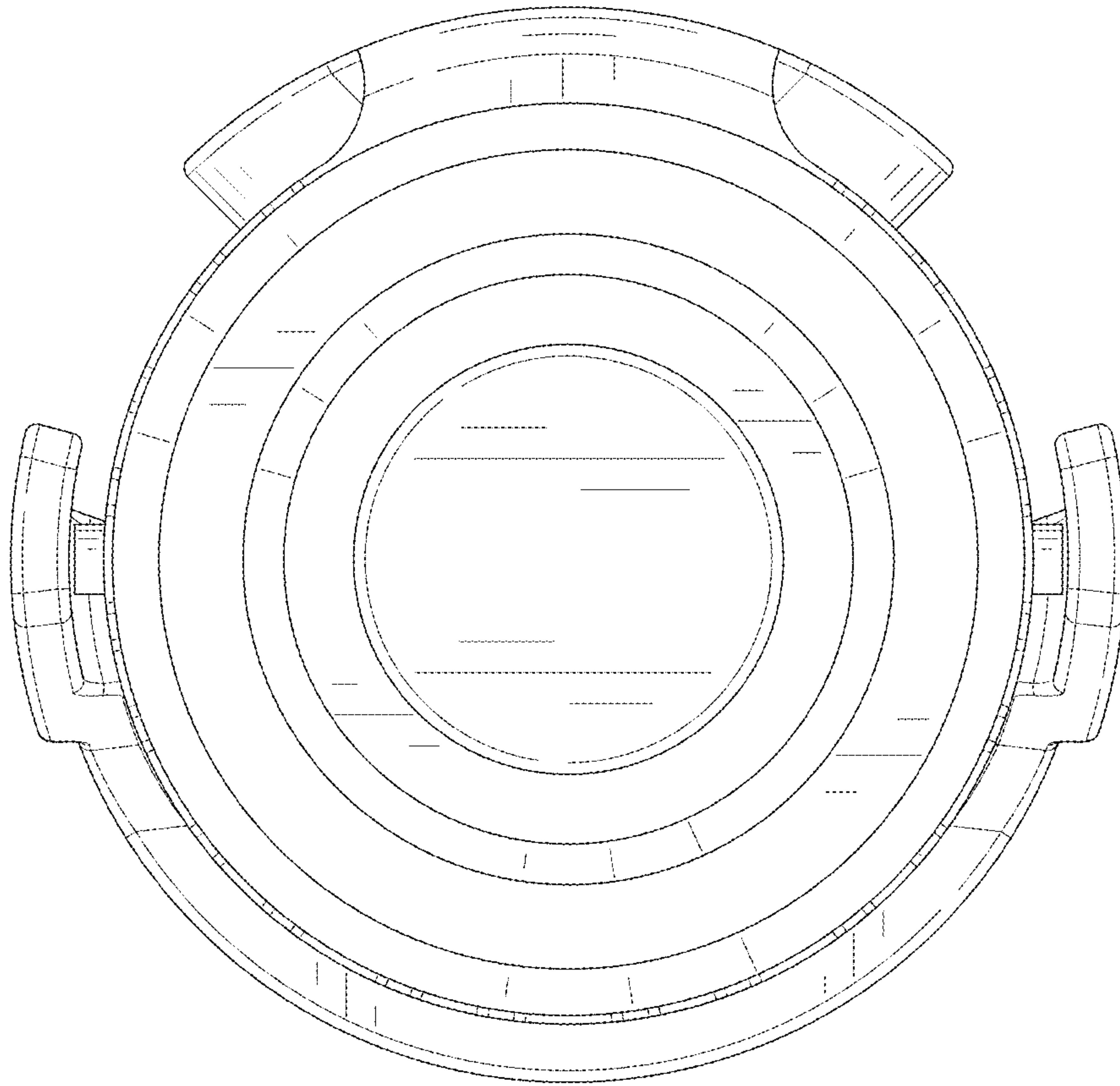


FIG. 5

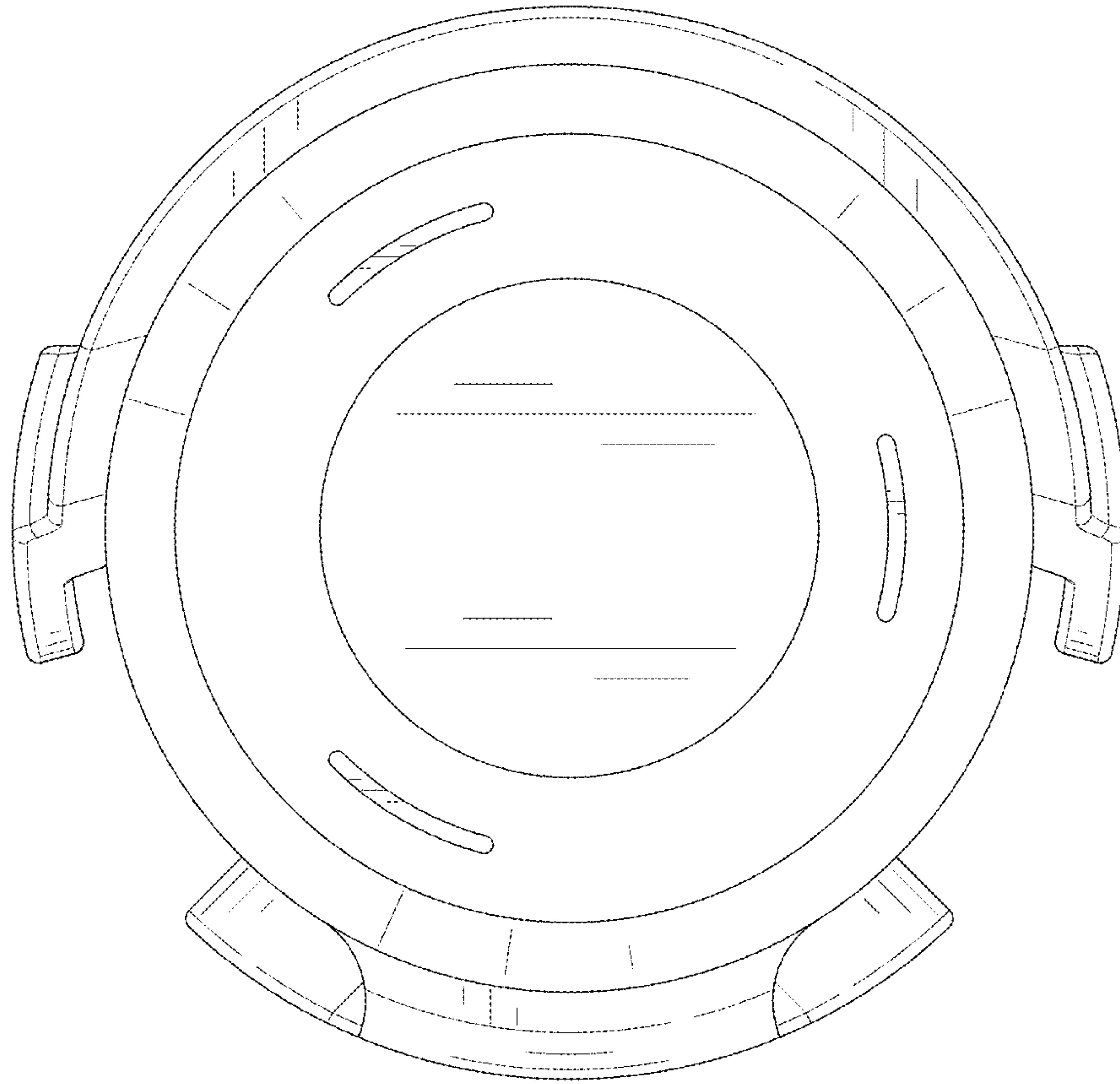


FIG. 6

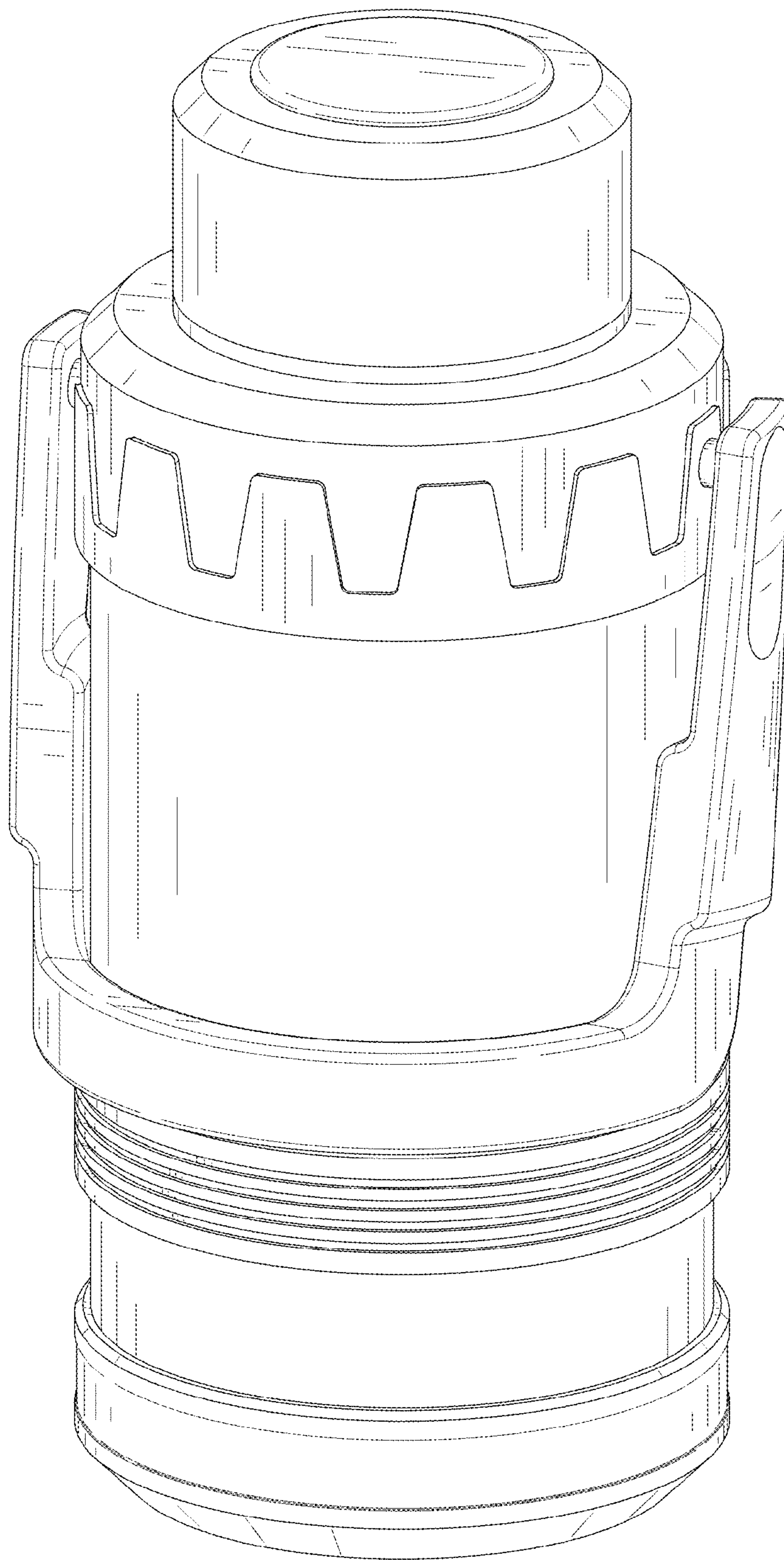


FIG. 7



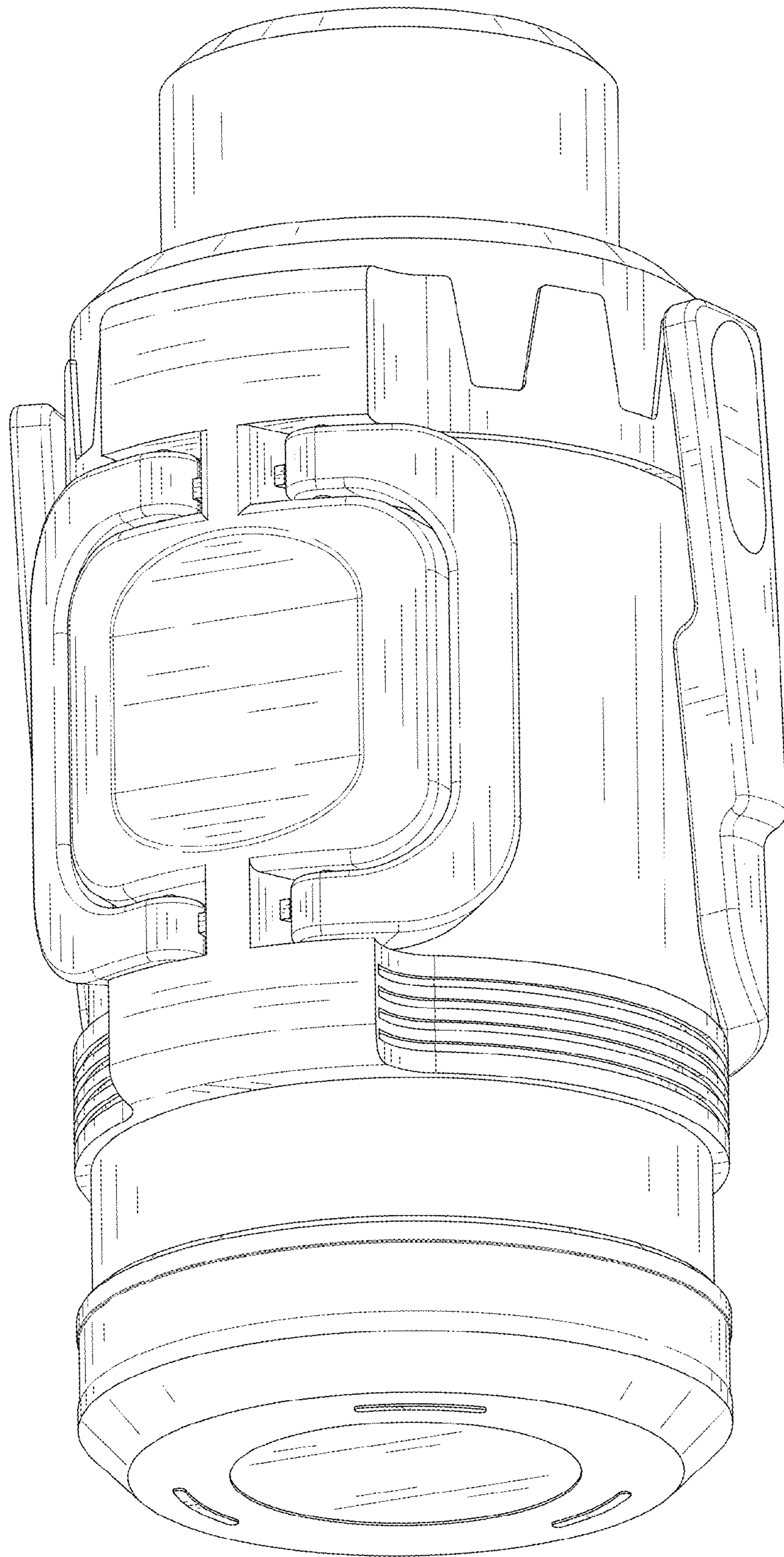


FIG. 8