



US00D972892S

(12) **United States Design Patent** (10) **Patent No.:** **US D972,892 S**
Toubia et al. (45) **Date of Patent:** **** Dec. 20, 2022**

(54) **PINT WITH AN AMERICAN FOOTBALL BALL SHAPE INSIDE**

(71) Applicants: **Marc Toubia**, Kunming (CN); **De Kong**, Kunming (CN)

(72) Inventors: **Marc Toubia**, Kunming (CN); **De Kong**, Kunming (CN)

(**) Term: **15 Years**

(21) Appl. No.: **29/778,578**

(22) Filed: **Apr. 14, 2021**

(51) **LOC (13) Cl.** **07-01**

(52) **U.S. Cl.**
USPC **D7/515**

(58) **Field of Classification Search**
USPC D7/507, 509, 510, 511, 514, 515, 517, D7/518, 520, 521, 522, 524, 533; D9/507, 516, 614, 624, 627, 655, 688; D21/576, 567
CPC A47G 19/2205; A47G 19/2227; A47G 19/2266; A47G 19/2272; A47G 19/2222; A47G 19/2211; A47G 23/0208; A47G 19/22; B65D 1/265; B65D 3/28; B65D 2543/00092; B65D 2543/00296; B65D 2543/00537; B65D 2543/00509; B65D 2543/00046; B65D 2517/0049; B65D 2543/00555; B65D 81/3865

See application file for complete search history.

(56) **References Cited**

U.S. PATENT DOCUMENTS

D242,971 S * 1/1977 Schlichter D7/515
D308,456 S * 6/1990 Kalamaras D7/515

D323,602 S * 2/1992 Katz D7/901
D398,188 S * 9/1998 Weeks D7/623
D420,256 S * 2/2000 Hersch D7/901
D425,757 S * 5/2000 Printz D7/901
D511,212 S * 11/2005 Whalen D7/901
D574,664 S * 8/2008 Thompson D7/901
D580,775 S * 11/2008 Harris D9/668
D589,765 S * 4/2009 Zuloff D7/901
D684,819 S * 6/2013 Smith D7/514
D703,489 S * 4/2014 Thomas D7/523
D709,328 S * 7/2014 Ross D7/523
D853,196 S * 7/2019 Cramton D7/901
D853,792 S * 7/2019 Cramton D7/515

* cited by examiner

Primary Examiner — Joseph Kukella

Assistant Examiner — Darryl J Dardenne

(74) *Attorney, Agent, or Firm* — Fairchild Law, LLC; Steven R. Fairchild

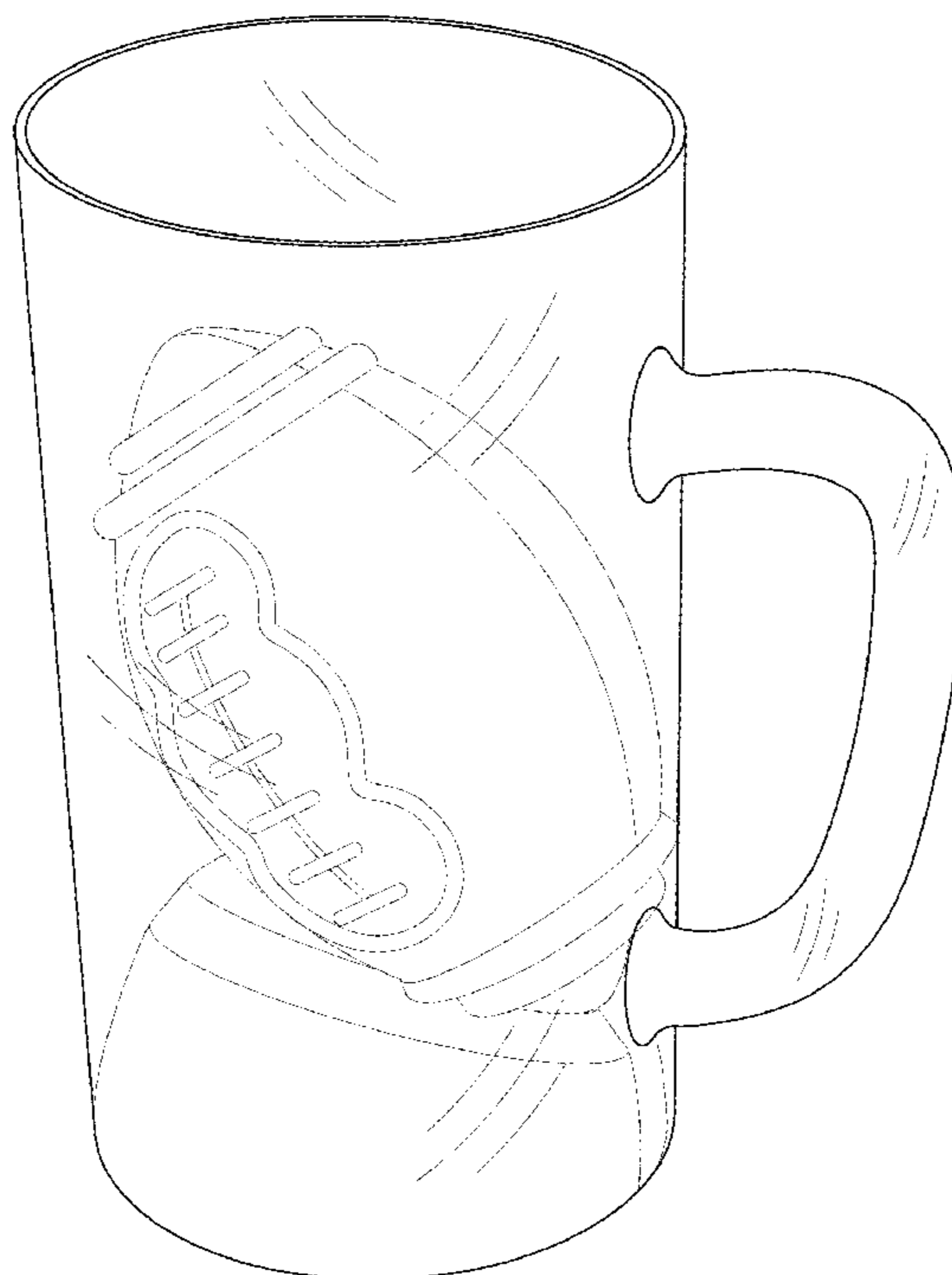
(57) **CLAIM**

The ornamental design for a pint with an American football ball shape inside, as shown.

DESCRIPTION

FIG. 1 is a top, front, right, perspective view of a pint with an American football ball shape inside according to our new design;
FIG. 2 is a front view thereof;
FIG. 3 is a hack view thereof;
FIG. 4 is a right view thereof;
FIG. 5 is a left view thereof;
FIG. 6 is a top view thereof; and,
FIG. 7 is a bottom view thereof.

1 Claim, 7 Drawing Sheets



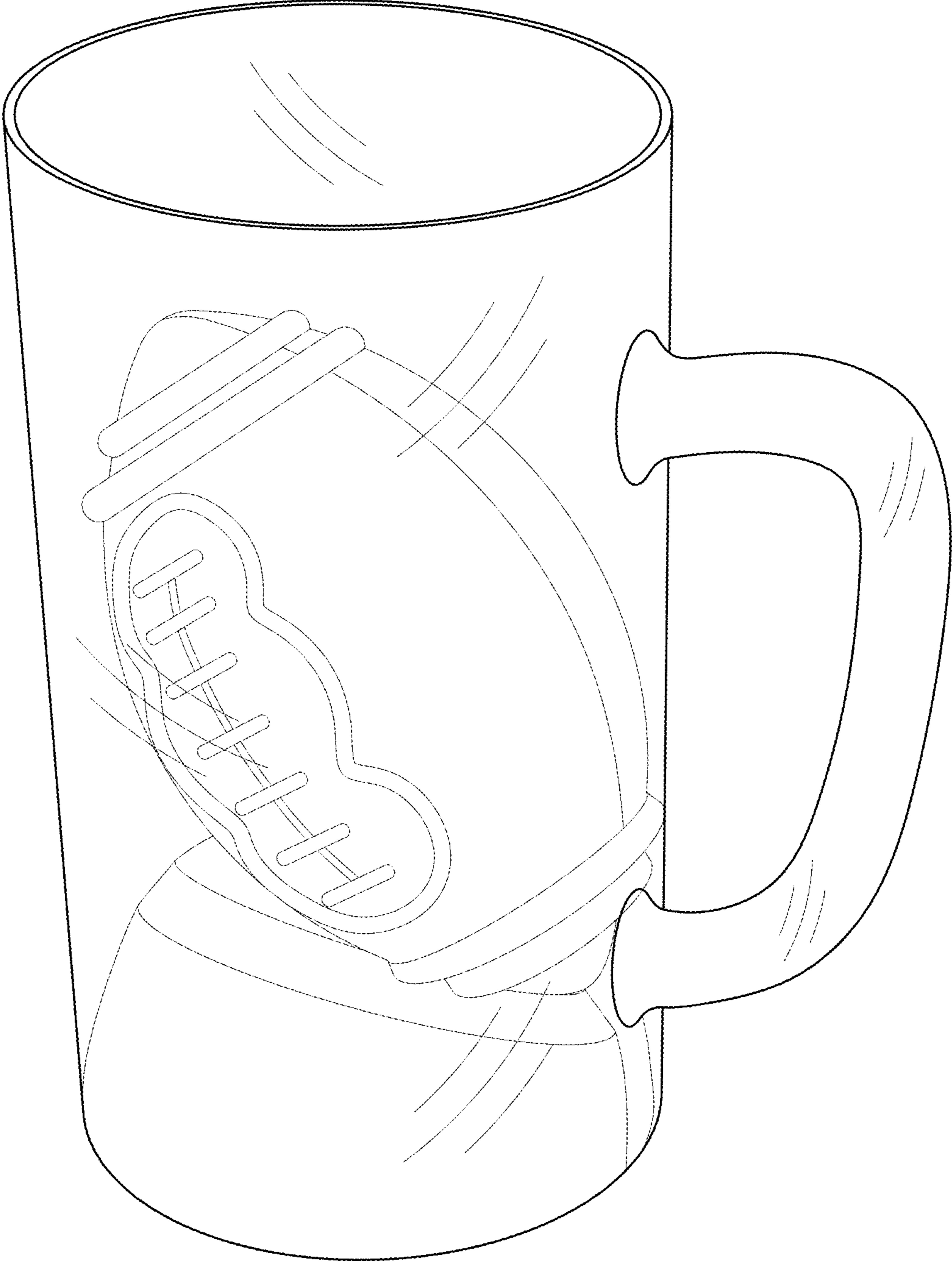


FIG. 1



FIG. 2

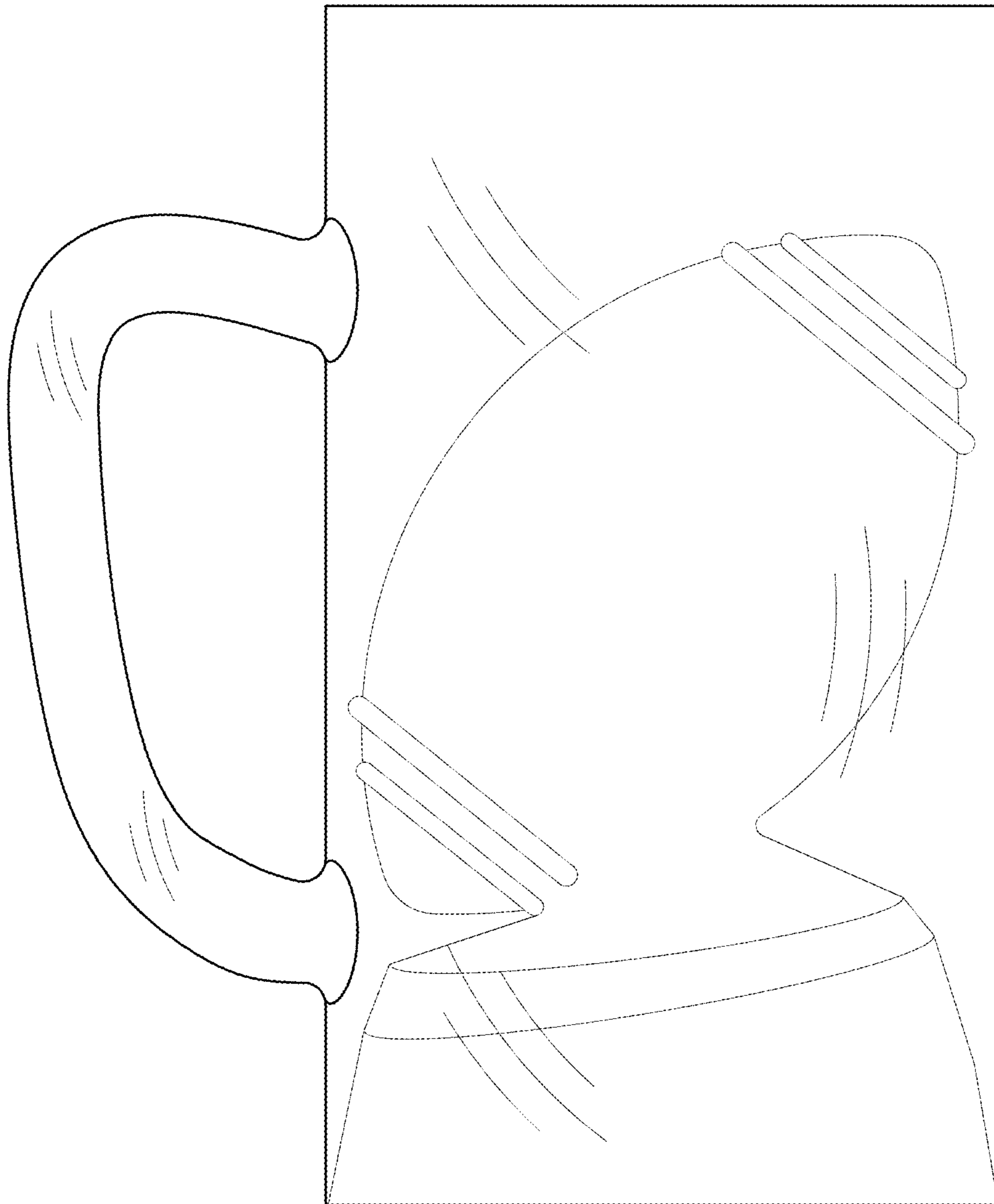


FIG. 3

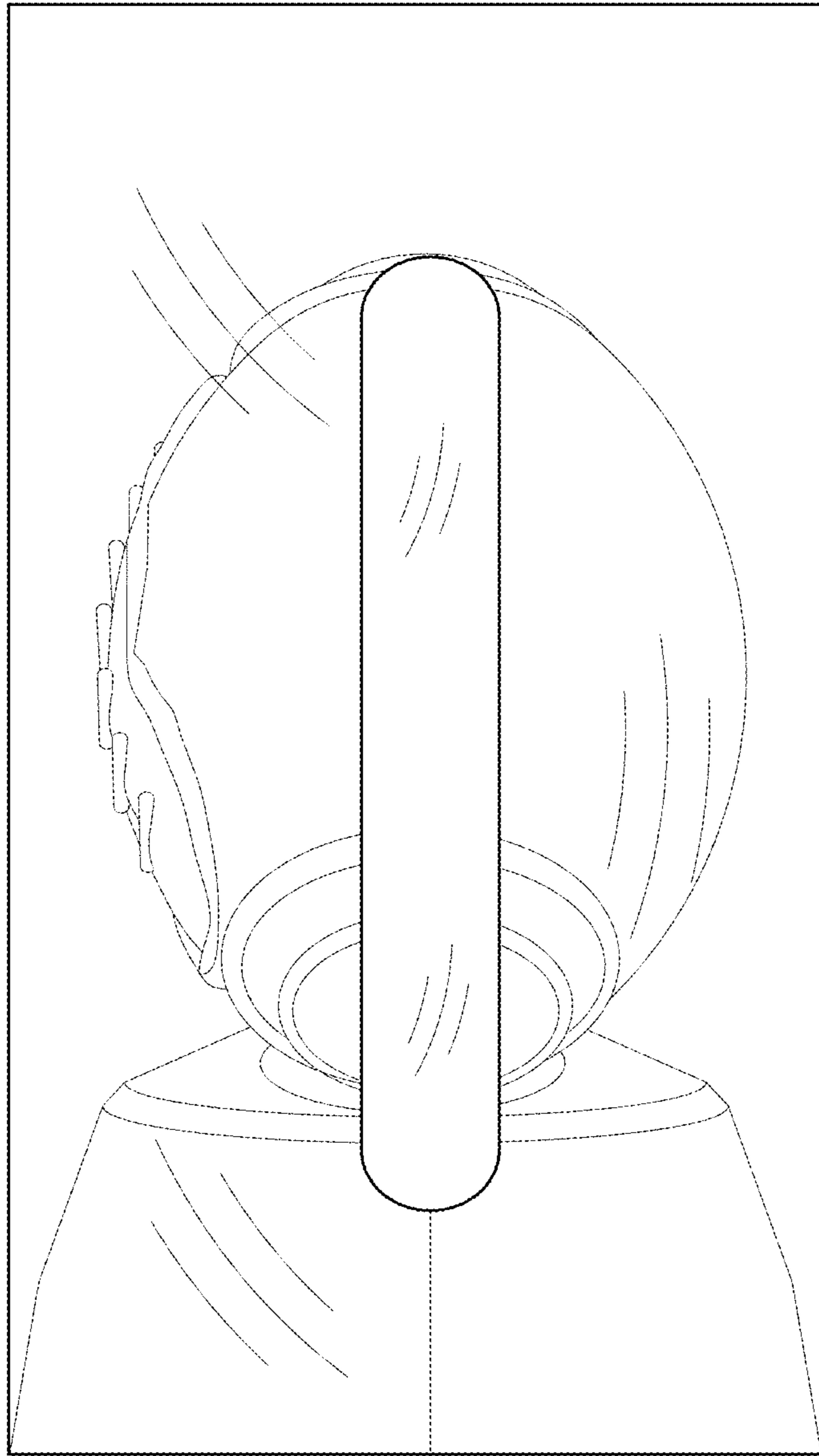


FIG. 4

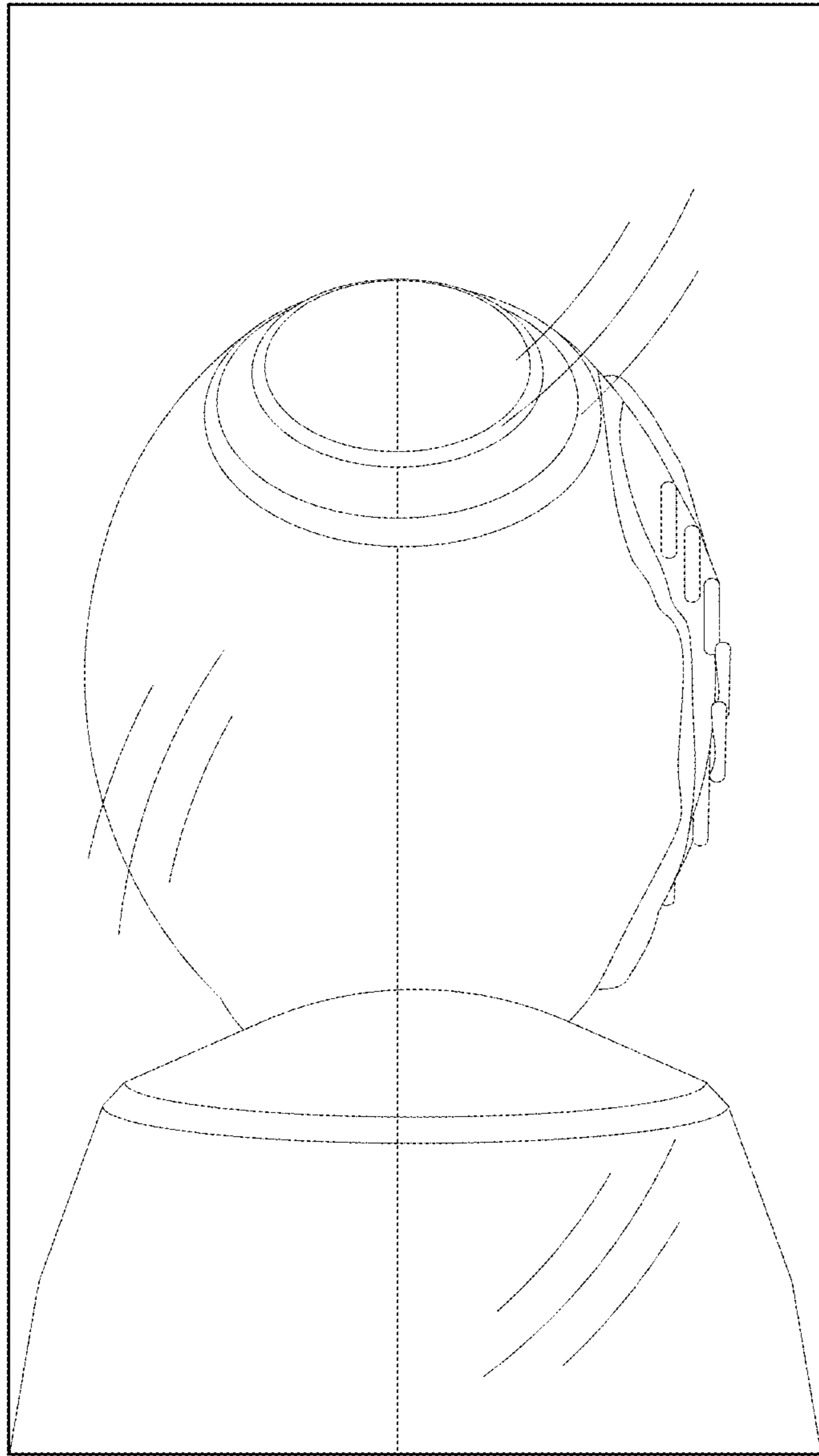


FIG. 5

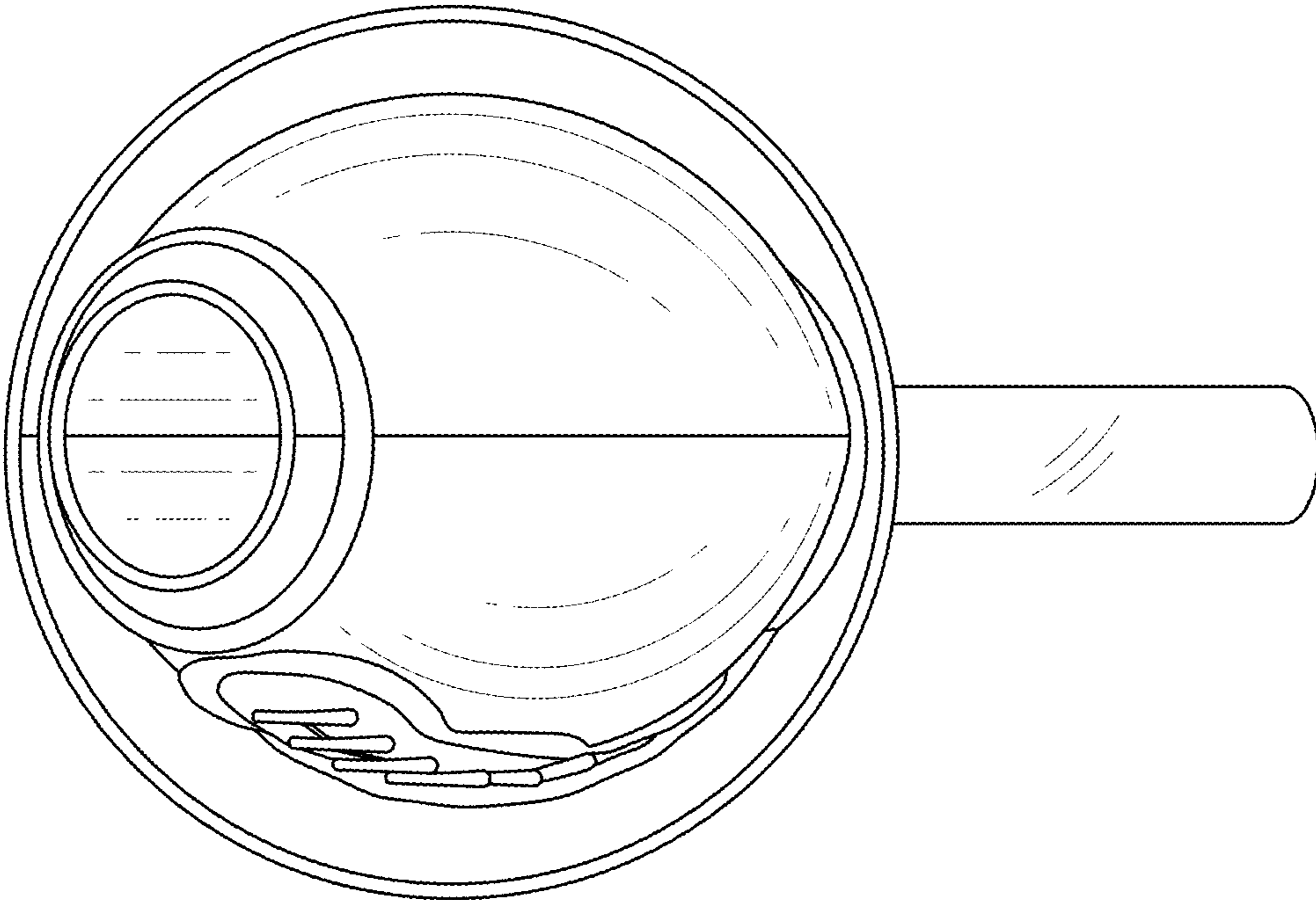


FIG. 6

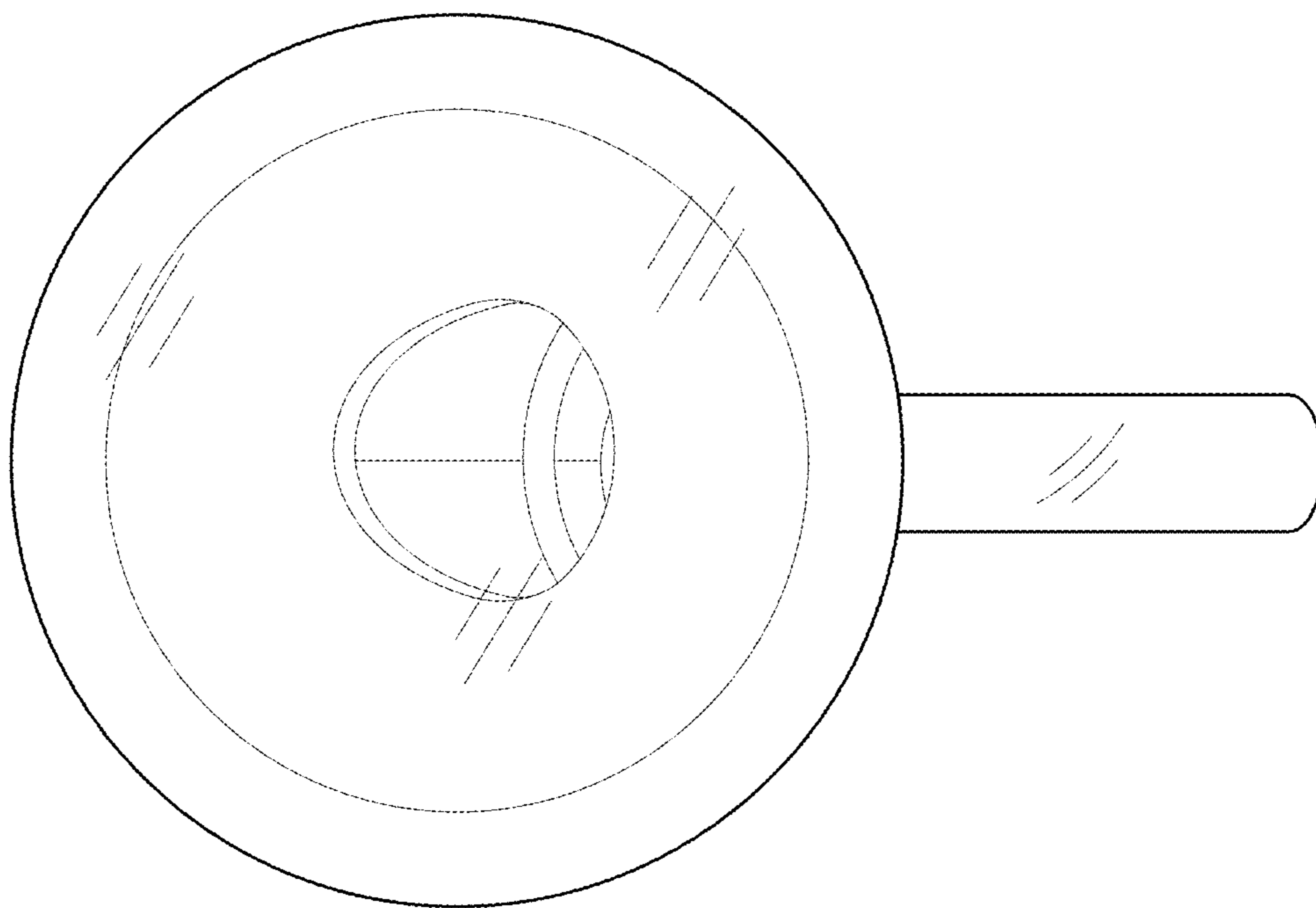


FIG. 7