



US00D972891S

(12) **United States Design Patent** (10) **Patent No.:** **US D972,891 S**
Gilson et al. (45) **Date of Patent:** **** Dec. 20, 2022**

(54) **INFUSION WATER BOTTLE**
(71) Applicant: **Infusion Pro Inc.**, Corona del Mar, CA (US)
(72) Inventors: **Tom Gilson**, Corona del Mar, CA (US); **Terese Odette**, Corona del Mar, CA (US)
(73) Assignee: **Infusion Pro Inc.**, Corona del Mar, CA (US)

D820,043 S * 6/2018 Leslie-Shattenkirk B65D 41/04
D7/510
D823,069 S * 7/2018 Seiders D7/608
D828,093 S * 9/2018 Chitayat D7/532
D831,436 S * 10/2018 Seiders D7/608
D846,354 S * 4/2019 Omdahl, II D7/510
D856,757 S * 8/2019 Seiders D9/504
D857,456 S * 8/2019 Bell D7/532
D867,069 S * 11/2019 Wang D9/504
D885,836 S * 6/2020 Wang D9/504

(Continued)

(**) Term: **15 Years**

OTHER PUBLICATIONS

(21) Appl. No.: **29/749,396**
(22) Filed: **Sep. 4, 2020**
(51) **LOC (13) Cl.** **07-01**
(52) **U.S. Cl.**
USPC **D7/511**
(58) **Field of Classification Search**
USPC D7/300, 313, 316, 507, 509, 510, 511, D7/602, 605, 608, 619.1, 622; D9/443, D9/449, 450, 500, 502, 505, 520, 528, D9/531, 537, 538, 540, 549, 560, 570
CPC A45F 3/16; A45F 2200/0583; A47G 19/2205; A47G 23/16; A47G 19/2272; A47G 19/2288; A47G 19/23; A47J 41/00; A47J 43/00; A47J 47/00; A47J 47/02; A47J 47/08; B65D 1/265; B65D 3/22; B65D 47/122; B65D 81/3453; B65D 81/3865; B65D 2205/00
See application file for complete search history.

Infusion Pro Fruit Infuser Water Bottle, Amazon.com, First available date: Sep. 16, 2020. Retrieved from the internet Apr. 5, 2022<URL: <https://www.amazon.com/Infusion-Pro-Infuser-Stainless-Insulated/dp/B08J9C1SFD/> (Year: 2020).*

Primary Examiner — Joseph Kukella
Assistant Examiner — Darryl J Dardenne
(74) *Attorney, Agent, or Firm* — Riverside Law LLP

(57) **CLAIM**

We claim the ornamental design for an infusion water bottle, as shown and described.

DESCRIPTION

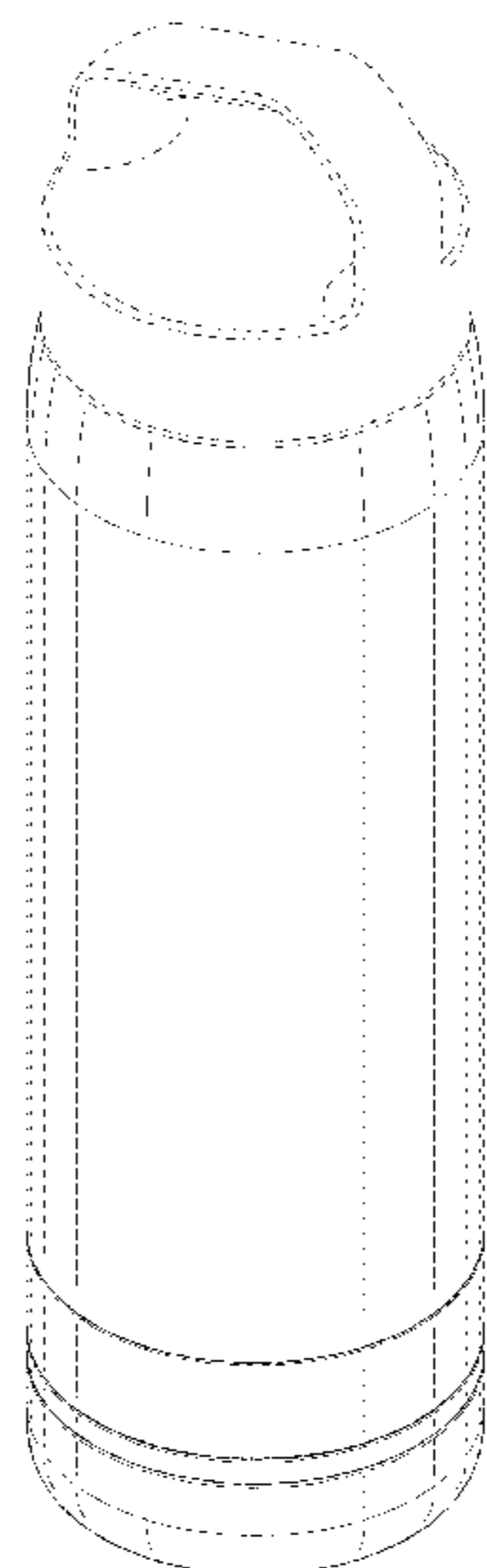
FIG. 1 is a perspective view of an infusion water bottle showing my new design;
FIG. 2 is a left side view thereof;
FIG. 3 is a right side view thereof;
FIG. 4 is a front view thereof;
FIG. 5 is a rear view thereof;
FIG. 6 is a top view thereof;
FIG. 7 is a bottom view thereof;
FIG. 8 is an exploded perspective view thereof; and,
FIG. 9 is an exploded perspective view thereof.
The broken lines depict portions of the article that form no part of the claimed design.

(56) **References Cited**

U.S. PATENT DOCUMENTS

D623,896 S * 9/2010 Wahl D7/392.1
D627,602 S * 11/2010 Eyal D9/504
RE42,484 E * 6/2011 Kitamura D7/510
D725,966 S * 4/2015 Boroski D7/511
D728,315 S * 5/2015 Bo D7/511
D819,402 S * 6/2018 Silsby D7/510

1 Claim, 6 Drawing Sheets



(56)

References Cited

U.S. PATENT DOCUMENTS

D901,250 S * 11/2020 McCabe D7/532
D902,647 S * 11/2020 McCabe D7/392.1
D914,504 S * 3/2021 Brulhart D9/504
D915,826 S * 4/2021 Ulla D7/532
D925,984 S * 7/2021 Gispert B65D 47/066
D7/509
D930,436 S * 9/2021 Paparao D7/510
D930,438 S * 9/2021 Zhang B65D 47/066
D7/511
D945,837 S * 3/2022 Carson D7/608
2020/0283220 A1 * 9/2020 Vu A47G 19/2288

* cited by examiner

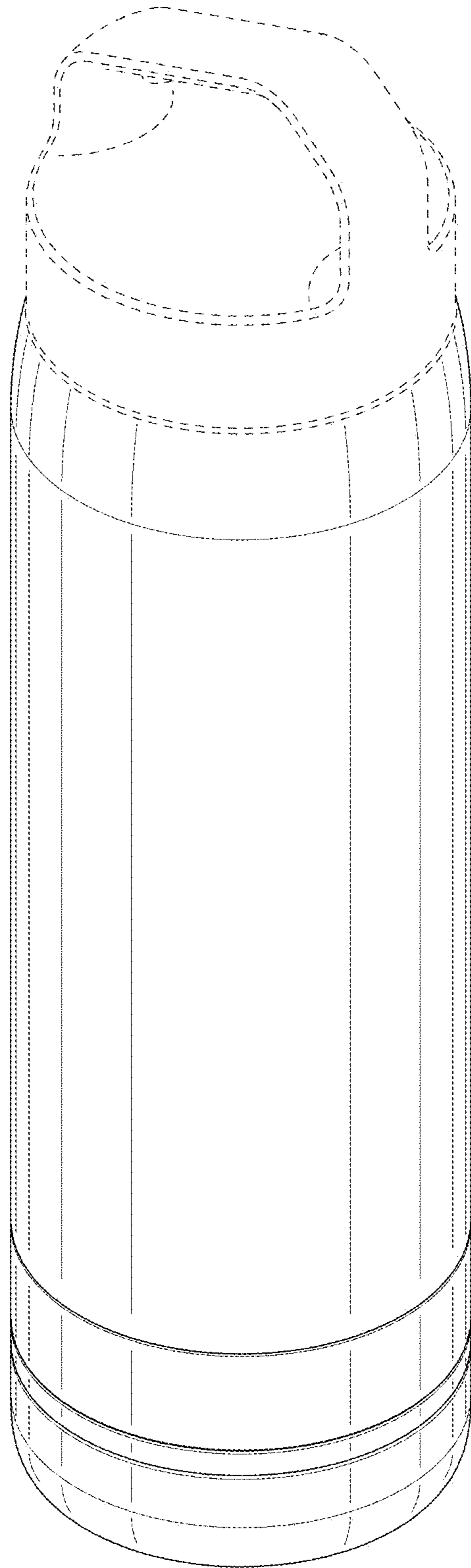


FIG. 1

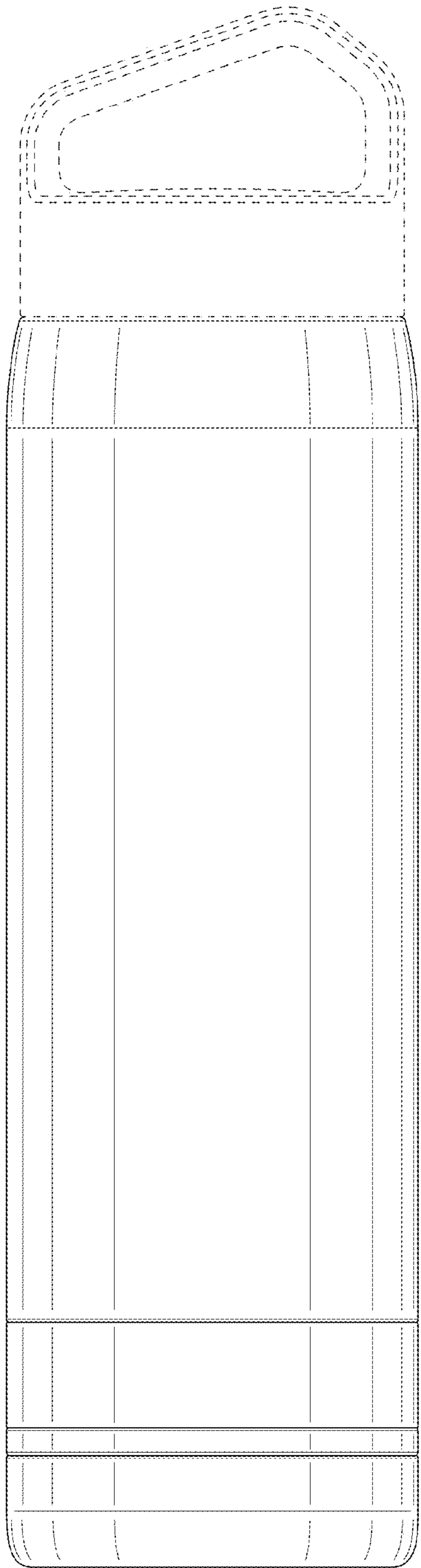


FIG. 2

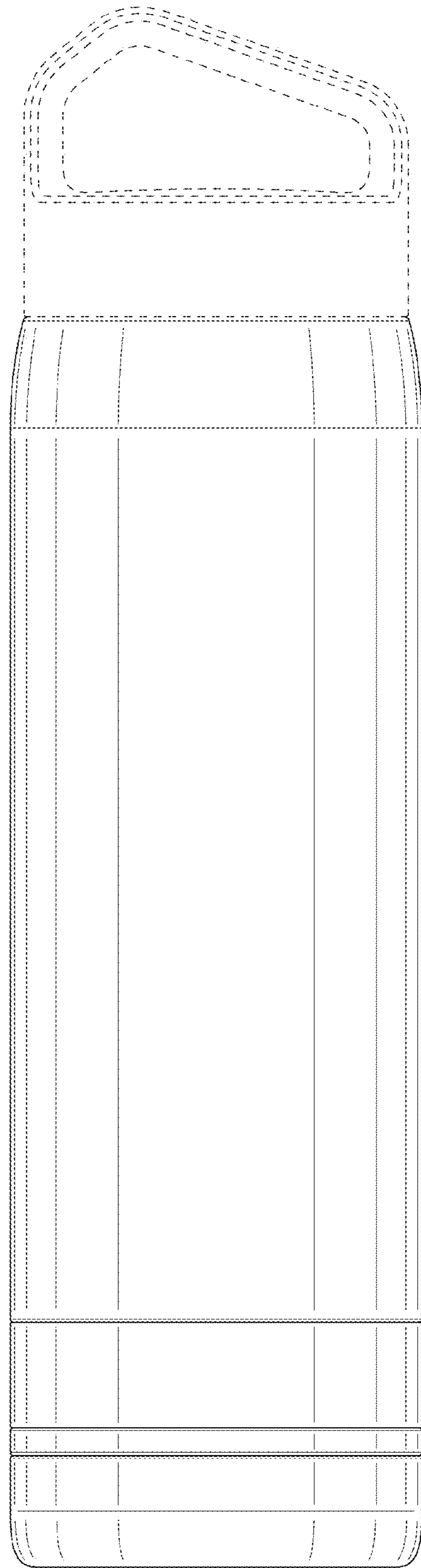


FIG. 3

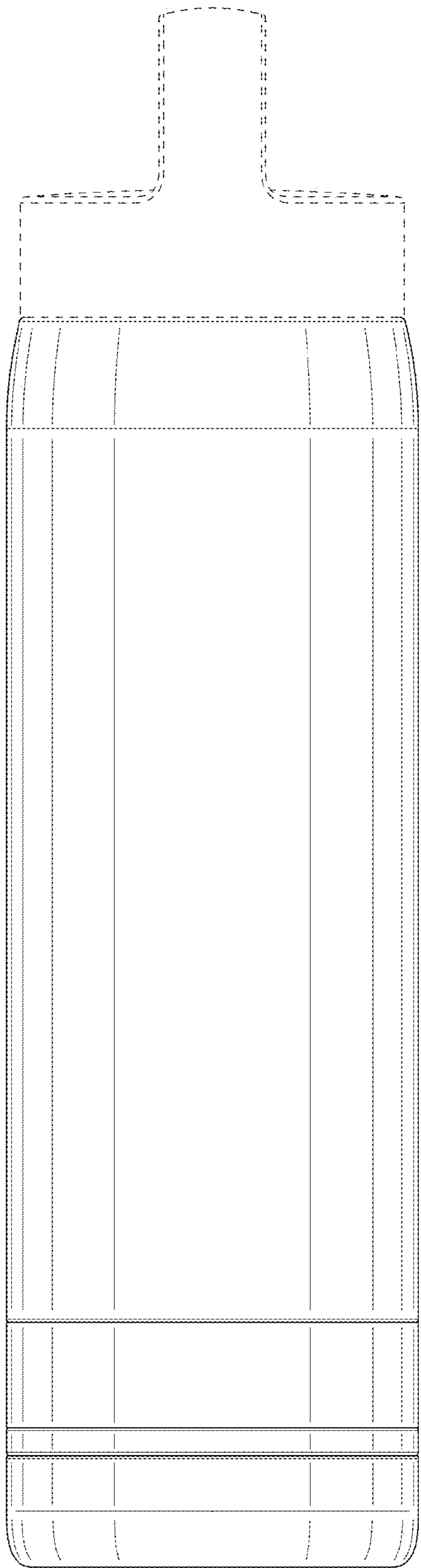


FIG. 4

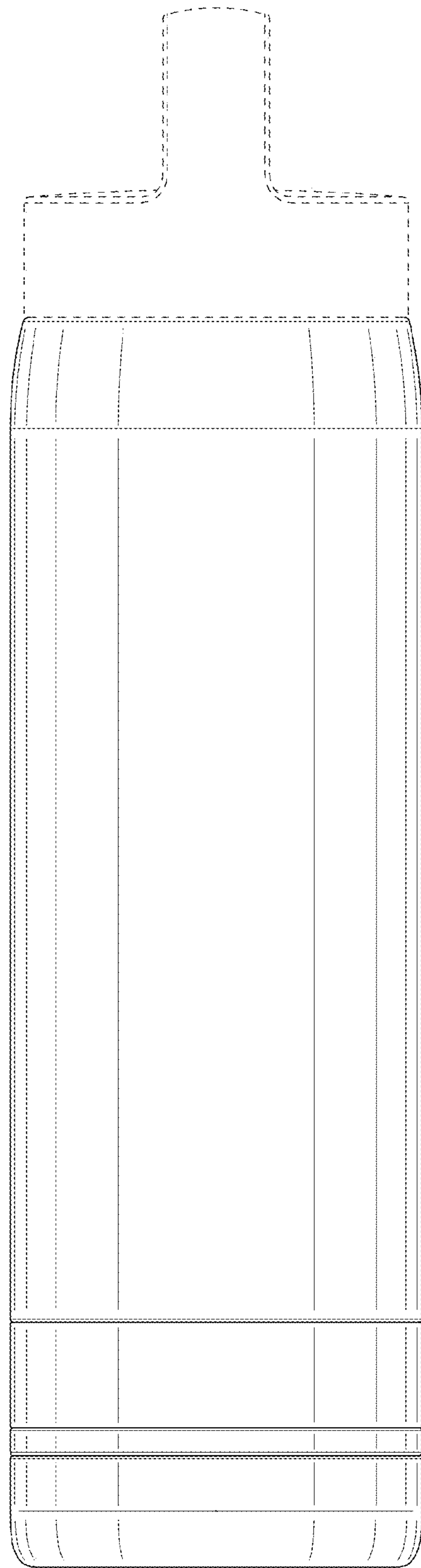


FIG. 5

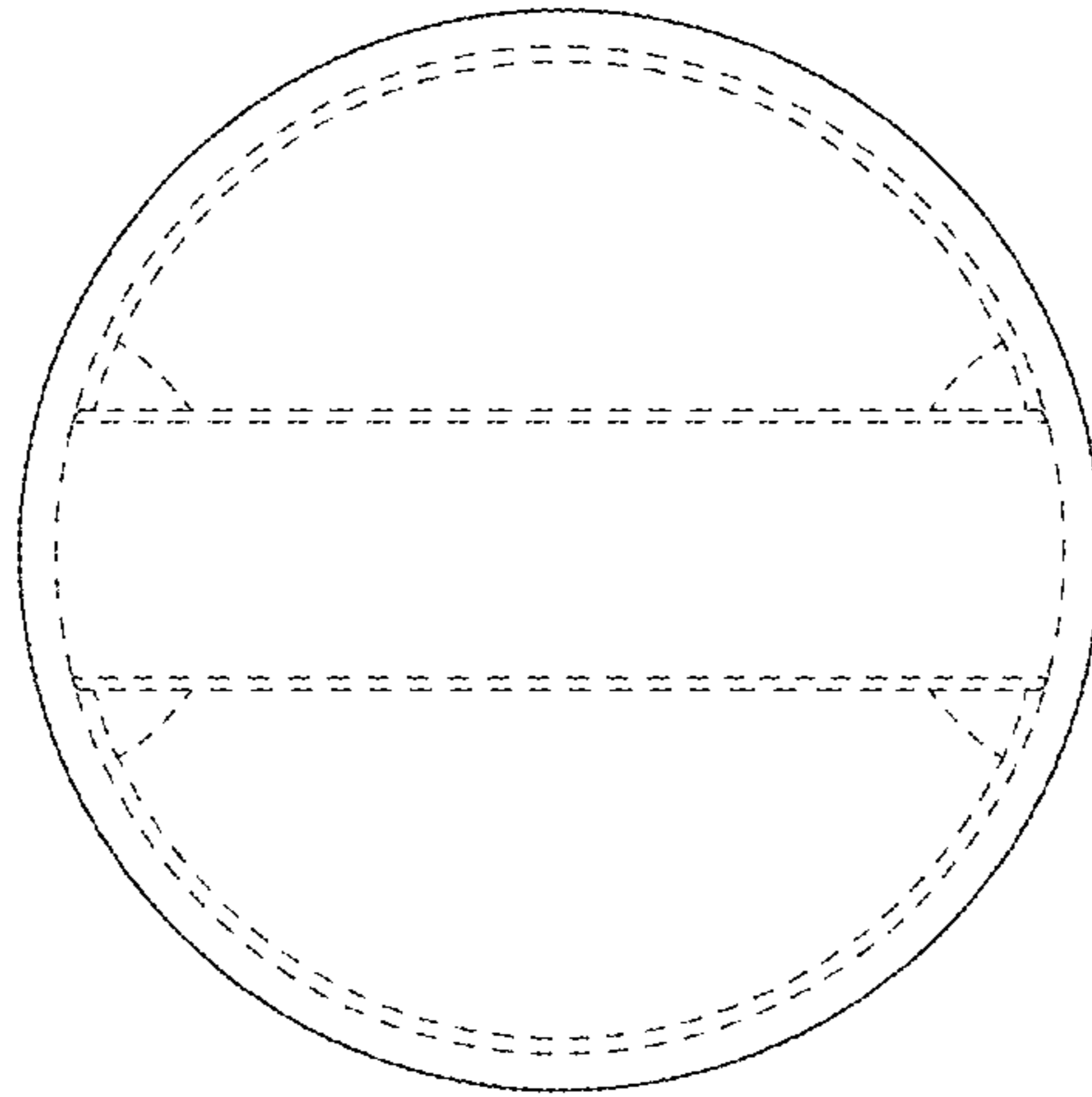


FIG. 6

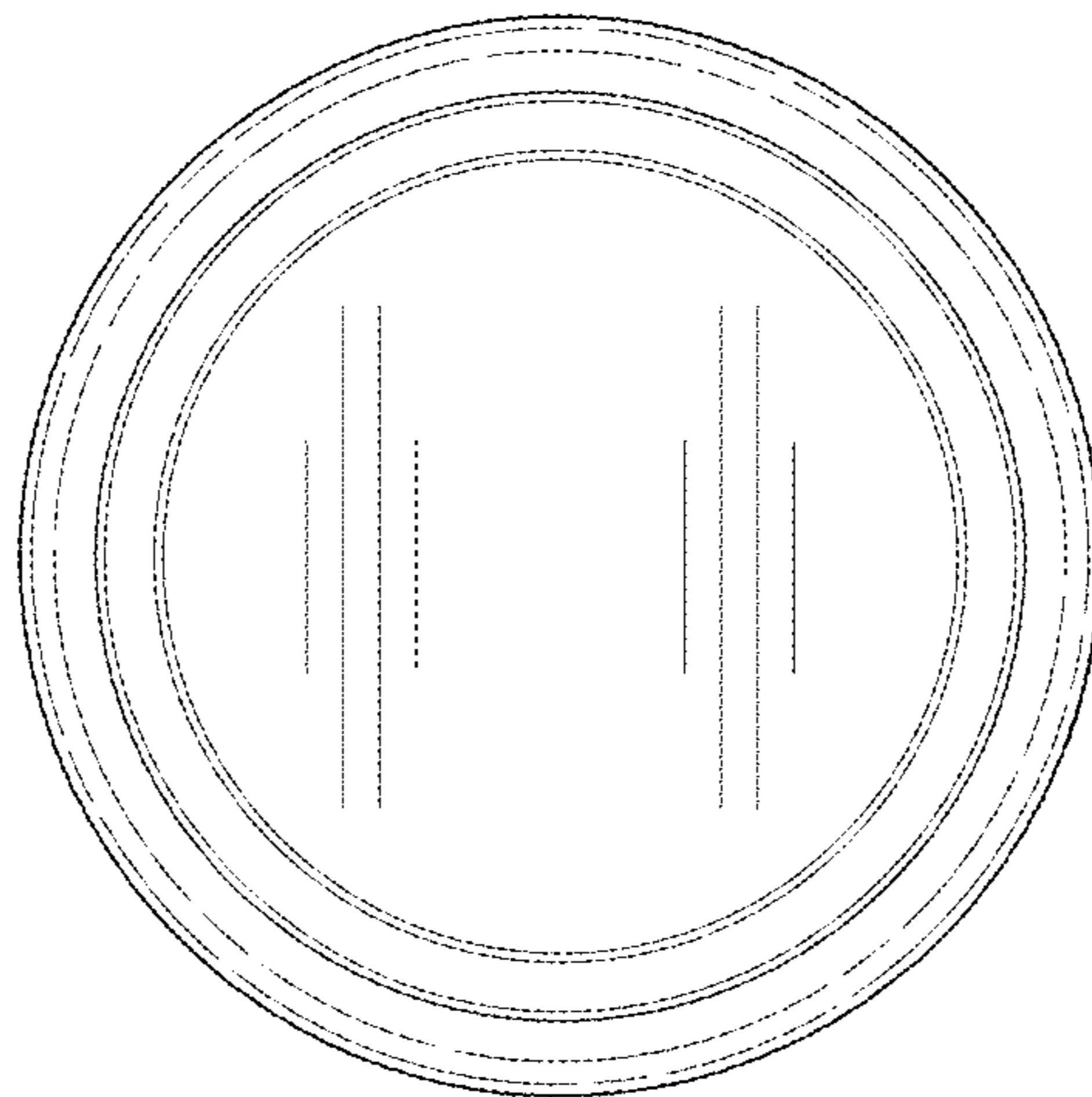


FIG. 7

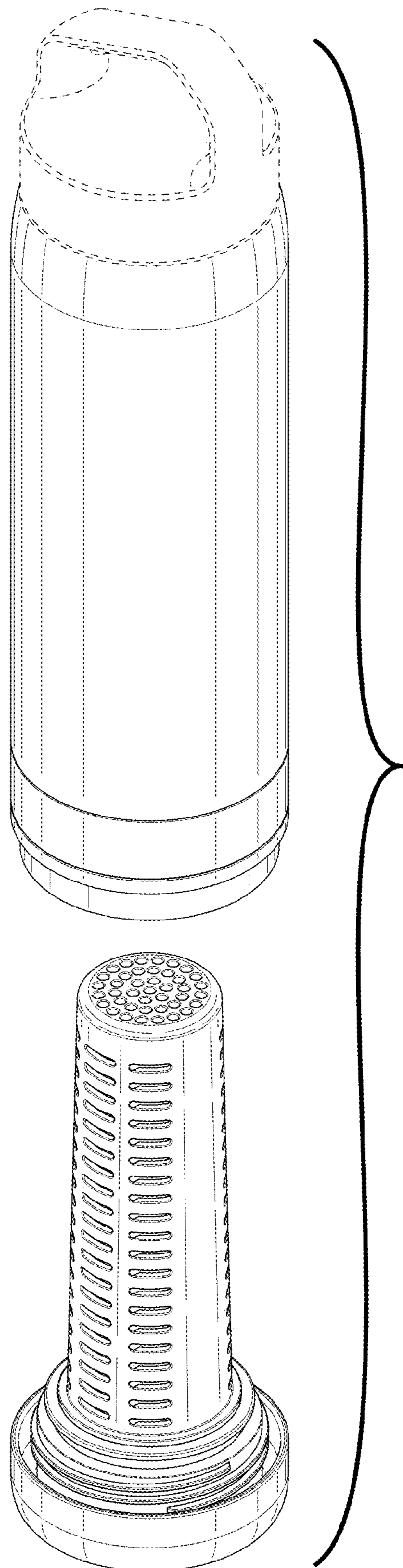


FIG. 8

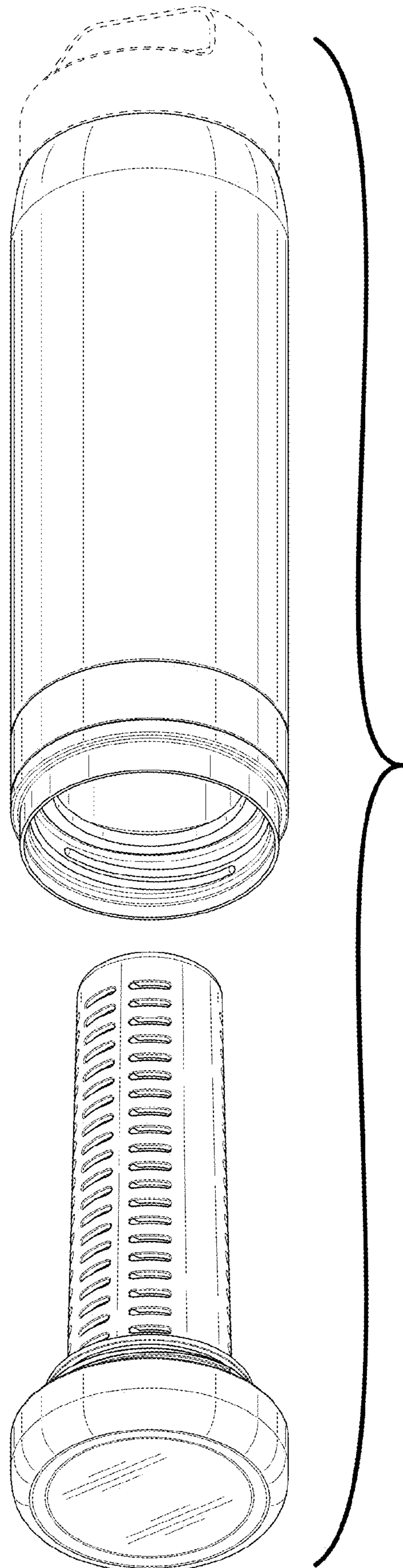


FIG. 9