



US00D972890S

(12) **United States Design Patent**
Mager et al.

(10) **Patent No.:** **US D972,890 S**
(45) **Date of Patent:** **** Dec. 20, 2022**

- (54) **CONTAINER**
- (71) Applicant: **Bolde Lifestyle LLC**, Sacramento, CA (US)
- (72) Inventors: **Jacob Mager**, Sacramento, CA (US); **John A. Pennington**, Sacramento, CA (US); **Philip Powers**, Denver, CO (US)
- (73) Assignee: **Bolde Lifestyle, LLC**, Sacramento, CA (US)

D646,919 S 10/2011 Nilsson
 D656,357 S 3/2012 Enghard
 D666,047 S 8/2012 Lin
 (Continued)

FOREIGN PATENT DOCUMENTS

CA 2828351 A1 3/2014
 WO 2017106201 A1 6/2017
 (Continued)

OTHER PUBLICATIONS

The Original Vortex Mixer https://www.amazon.com/dp/B09LDBCW5X/ref=cm_sw_em_r_mt_dp_WCAZY2SN7YBM3RFBGT91 (Year: 2018).*
 (Continued)

- (**) Term: **15 Years**
- (21) Appl. No.: **29/746,947**
- (22) Filed: **Aug. 18, 2020**
- (51) **LOC (13) Cl.** **07-01**
- (52) **U.S. Cl.**
USPC **D7/510; D7/511**
- (58) **Field of Classification Search**
USPC D7/507, 509, 510, 511, 523, 532, 533, D7/536, 608, 601, 602, 392.1, 396.2, 512, D7/708.1, 619.1, 622, 633; D9/503, 504; D24/197, 199, 145; D3/202
CPC A47G 19/22; A47G 19/2288; A47G 19/2205; A47G 2019/2277; A45F 3/20; A47J 41/02
See application file for complete search history.

Primary Examiner — Jae Liang
 (74) *Attorney, Agent, or Firm* — Dickinson Wright, PLLC; Michael E. Noe, Jr.

(57) **CLAIM**

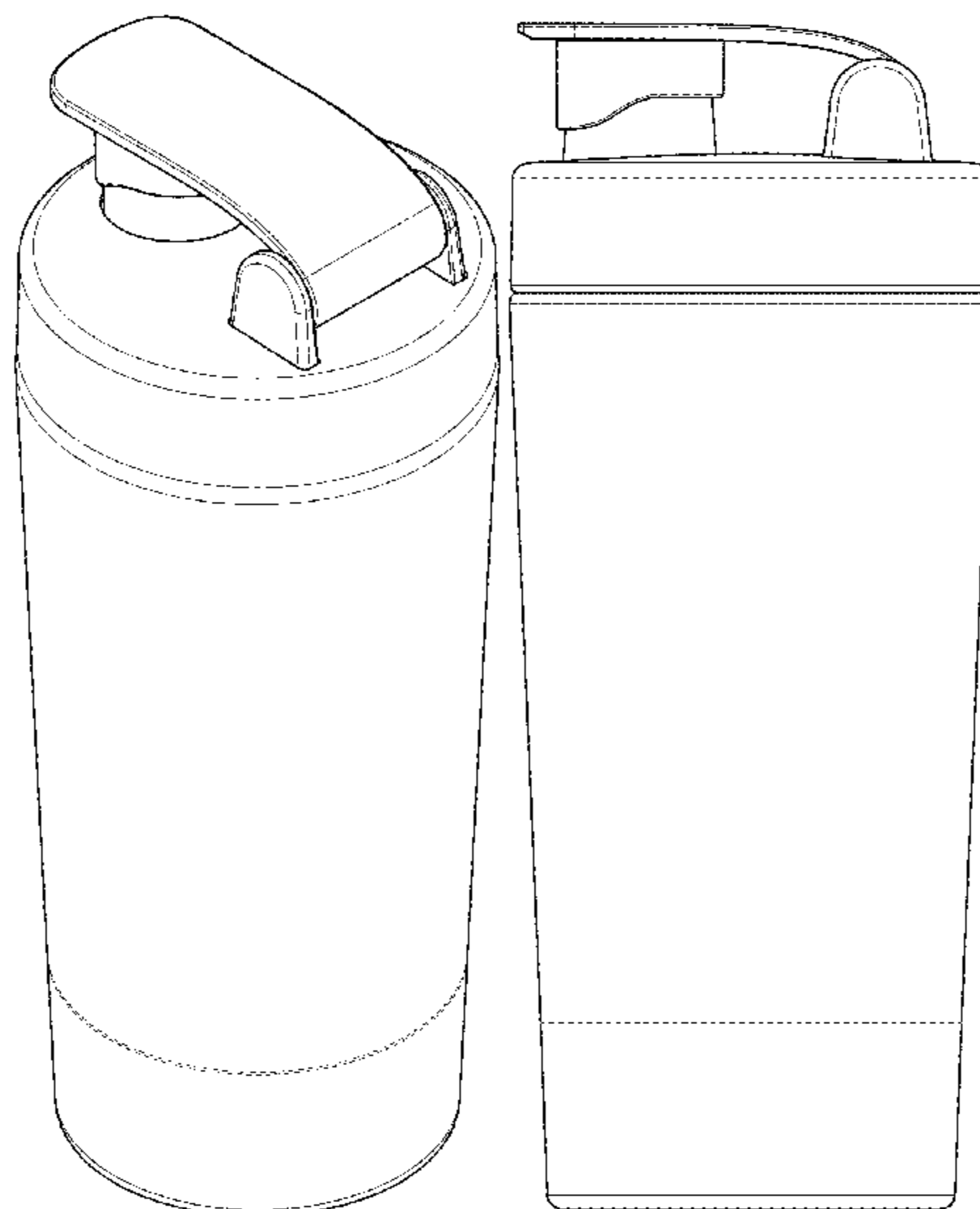
The ornamental design for a container, as shown and described.

DESCRIPTION

FIG. 1 is a top, rear isometric view of a first embodiment of a container.
 FIG. 2 is a right side view of the container of FIG. 1.
 FIG. 3 is a rear view of the container of FIG. 1.
 FIG. 4 is a left side view of the container of FIG. 1.
 FIG. 5 is a front view of the container of FIG. 1.
 FIG. 6 is a top, rear isometric view of a second embodiment of a container.
 FIG. 7 is a right side view of the container of FIG. 6.
 FIG. 8 is a rear view of the container of FIG. 6.
 FIG. 9 is a left side view of the container of FIG. 6; and, FIG. 10 is a front view of the container of FIG. 6.
 The broken lines in the drawings depict portions of the container that form no part of the claimed design.

- (56) **References Cited**
U.S. PATENT DOCUMENTS
- | | | |
|--------------|---------|------------------|
| 3,820,692 A | 6/1974 | Swett et al. |
| 5,547,275 A | 8/1996 | Lillelund et al. |
| 6,379,032 B1 | 4/2002 | Sorensen |
| 7,441,941 B2 | 10/2008 | Vernon |
| 7,571,830 B2 | 8/2009 | Lin |
| D626,837 S | 11/2010 | Meyers et al. |
| D626,838 S | 11/2010 | Meyers et al. |
| D639,661 S | 6/2011 | LLerena |
| D639,663 S | 6/2011 | LLerena |

1 Claim, 10 Drawing Sheets



(56)

References Cited

U.S. PATENT DOCUMENTS

D677,121 S 3/2013 Meyers et al.
 D682,016 S * 5/2013 Knight D7/392.1
 D686,885 S 7/2013 Meyers et al.
 D686,886 S 7/2013 Meyers et al.
 D686,887 S 7/2013 Meyers et al.
 D686,888 S 7/2013 Meyers et al.
 D690,989 S * 10/2013 Cetera D9/449
 8,544,674 B2 10/2013 Nilsson
 D696,079 S 12/2013 Meyers et al.
 D696,551 S 12/2013 Meyers et al.
 D697,798 S 1/2014 Sorensen et al.
 8,695,830 B2 4/2014 Meyers et al.
 8,833,586 B2 9/2014 Meyers et al.
 8,844,746 B2 9/2014 Meyers et al.
 8,939,305 B2 1/2015 Meyers et al.
 D727,097 S 4/2015 Sorensen et al.
 D732,339 S 6/2015 Sorensen et al.
 D733,497 S 7/2015 Sorensen et al.
 D739,674 S 9/2015 Bergstrom
 9,120,598 B2 9/2015 Meyers et al.
 9,120,599 B2 9/2015 Shamoon et al.
 D745,827 S 12/2015 Sorensen et al.
 9,216,843 B2 12/2015 Sorensen et al.
 D747,148 S * 1/2016 Beardsell D7/300.1
 D748,430 S 2/2016 Sorensen et al.
 D748,478 S 2/2016 Sorensen et al.
 D752,382 S * 3/2016 Ksiazek D9/449
 9,427,112 B2 8/2016 Aliberti et al.
 D766,029 S * 9/2016 Lin D7/300.1
 D771,990 S * 11/2016 Horowitz D7/300.1
 9,492,024 B2 11/2016 Sorensen et al.
 9,549,633 B2 1/2017 Ng et al.
 D779,872 S * 2/2017 Bergström D9/449
 9,706,880 B1 * 7/2017 Kalamaras A47J 43/27
 D820,038 S 6/2018 Sorensen et al.
 D830,119 S 10/2018 Sorensen et al.
 10,259,620 B2 * 4/2019 Matthis B65D 47/0866
 10,279,965 B2 5/2019 Enghard
 D852,577 S * 7/2019 Markey D7/396.2

D859,919 S * 9/2019 Gronkowski D7/300.1
 D864,657 S * 10/2019 Omdahl, II D7/392.1
 D878,147 S * 3/2020 Berresheim D9/449
 D881,647 S * 4/2020 Wang D9/531
 D885,123 S * 5/2020 Vollmer, Jr. D7/392.1
 D887,202 S * 6/2020 Wadsworth D9/449
 D897,149 S * 9/2020 Sorensen D9/449
 D899,846 S * 10/2020 Wang D7/392.1
 D900,540 S * 11/2020 Sorensen D9/449
 D906,757 S * 1/2021 Omdahl, II D7/396.2
 D913,036 S * 3/2021 Steenari D7/392.1
 D931,041 S * 9/2021 Losito D7/392.1
 D948,342 S * 4/2022 Wadsworth D9/531
 2009/0301990 A1 12/2009 Cresswell et al.
 2011/0220674 A1 9/2011 Honeyghan
 2012/0285843 A1 11/2012 Devlin
 2013/0279287 A1 10/2013 Cerasani
 2015/0201773 A1 7/2015 Sorensen et al.
 2015/0201774 A1 7/2015 Sorensen et al.
 2015/0201775 A1 7/2015 Sorensen et al.
 2015/0250349 A1 9/2015 Ng et al.
 2015/0353259 A1 12/2015 Burden
 2017/0129665 A1 * 5/2017 Rolfes B65D 47/0885
 2017/0283132 A1 10/2017 Sorensen et al.
 2017/0361984 A1 * 12/2017 Fouad B65D 23/02
 2018/0237191 A1 8/2018 Sorensen et al.
 2019/0100362 A1 * 4/2019 Meyers B65D 51/242
 2020/0375404 A1 * 12/2020 Mager B01F 33/50111

FOREIGN PATENT DOCUMENTS

WO 2017146625 A1 8/2017
 WO 2017189767 A1 11/2017

OTHER PUBLICATIONS

https://www.amazon.com/BlenderBottle-Bottle-Organizer-Storage-22-Ounce/dp/B08VRRDNCH?ref_=ast_sto_dp&th=1 Feb. 21, 2021 (Year: 2021).*

* cited by examiner

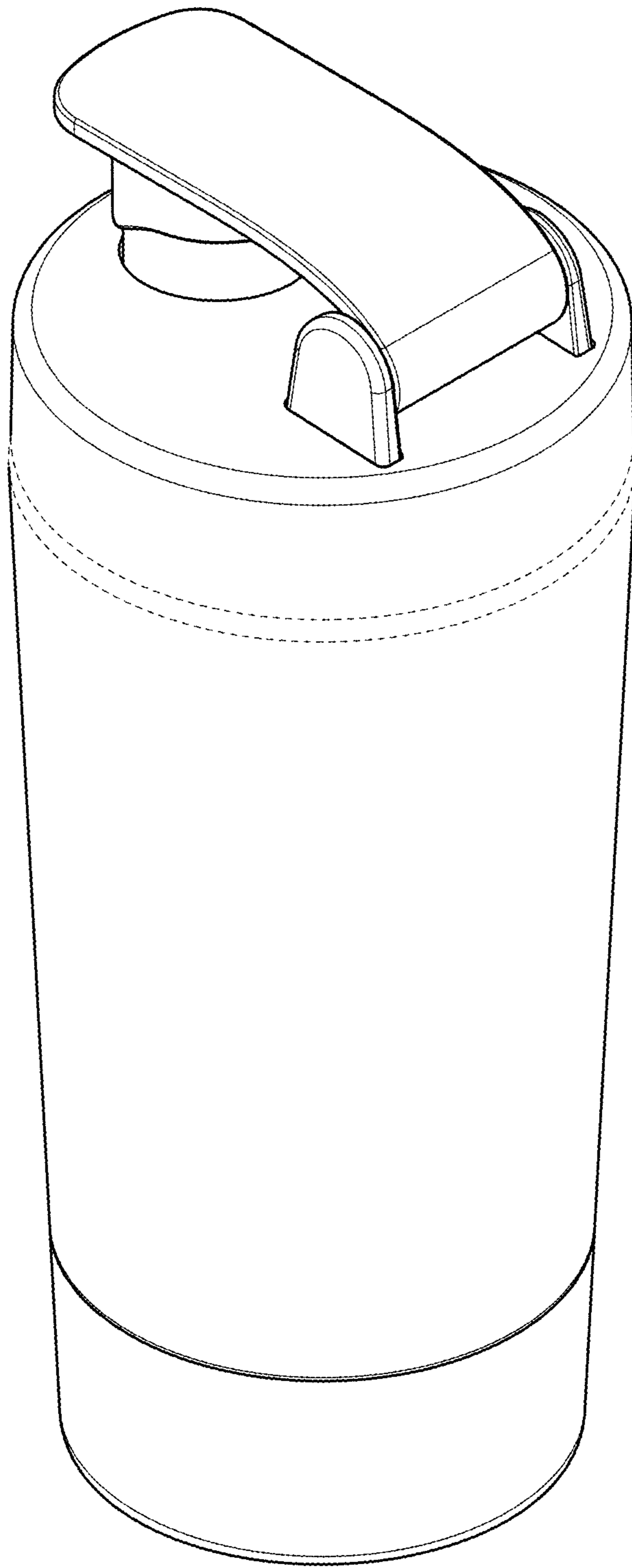


FIG. 1

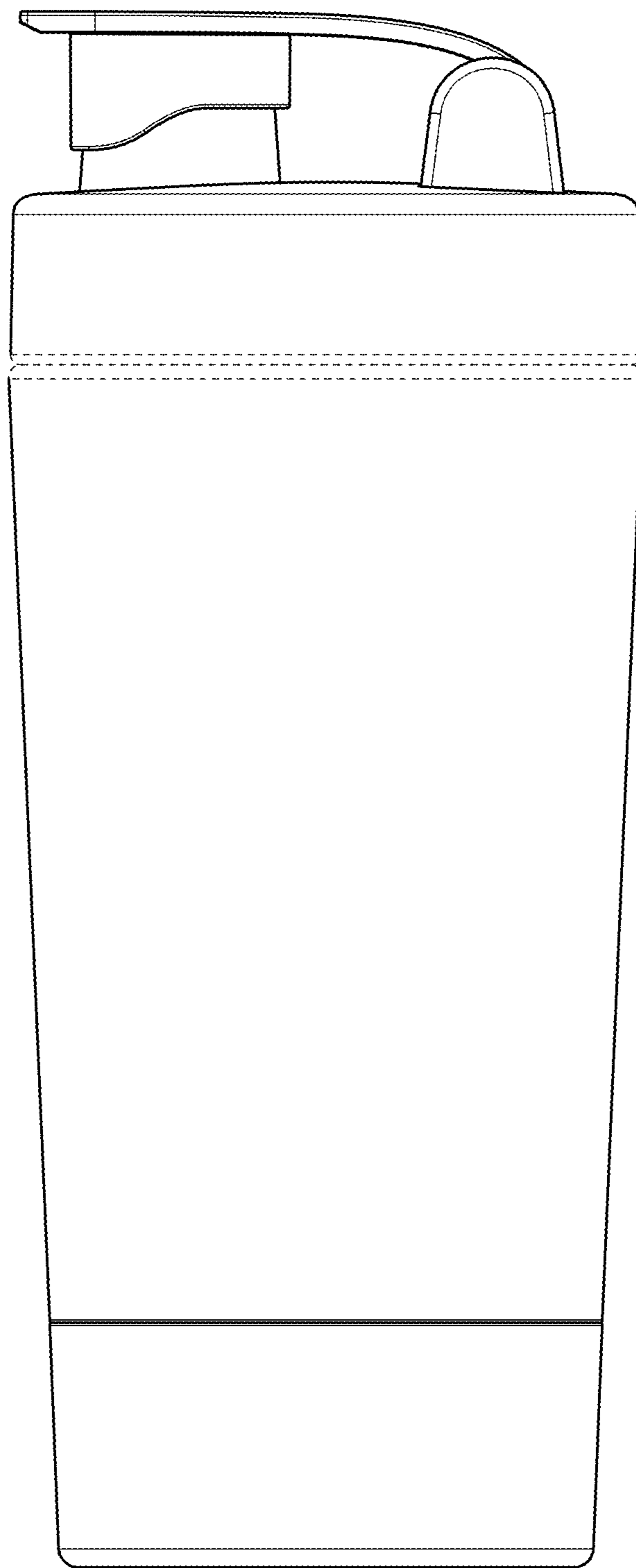


FIG. 2

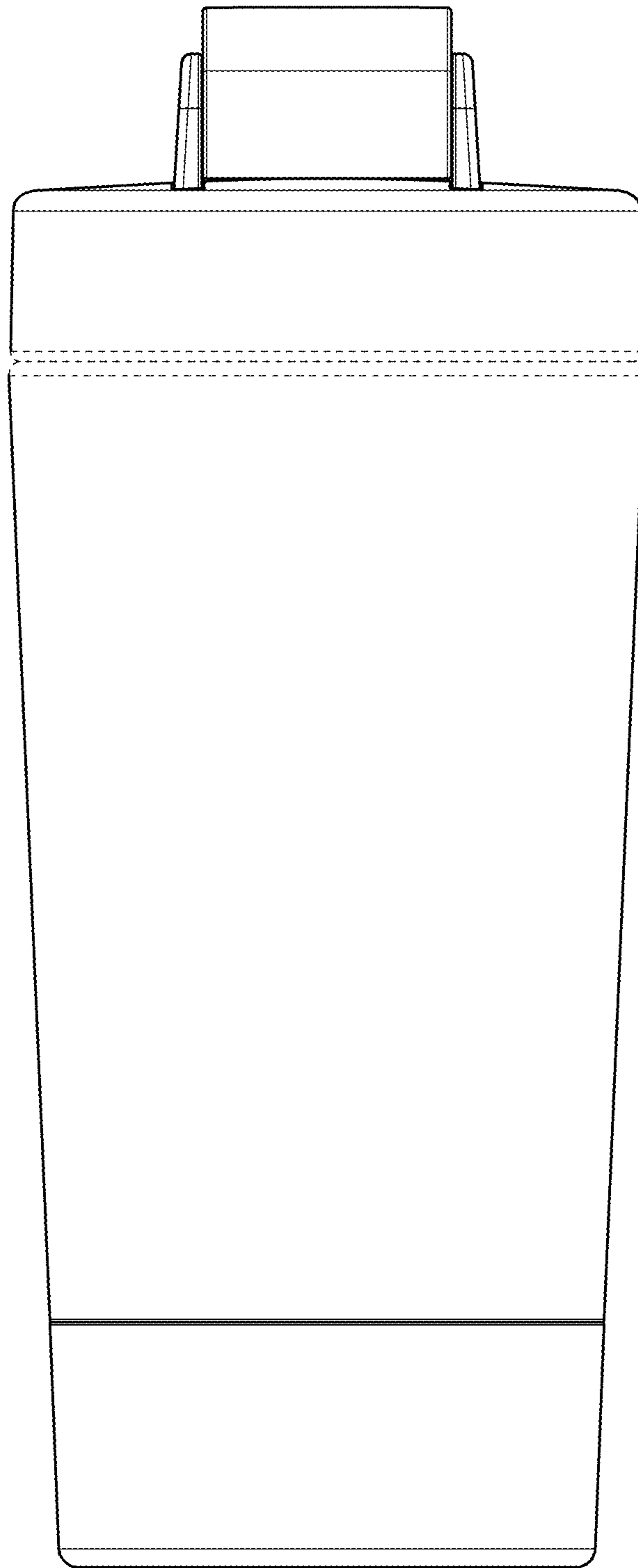


FIG. 3

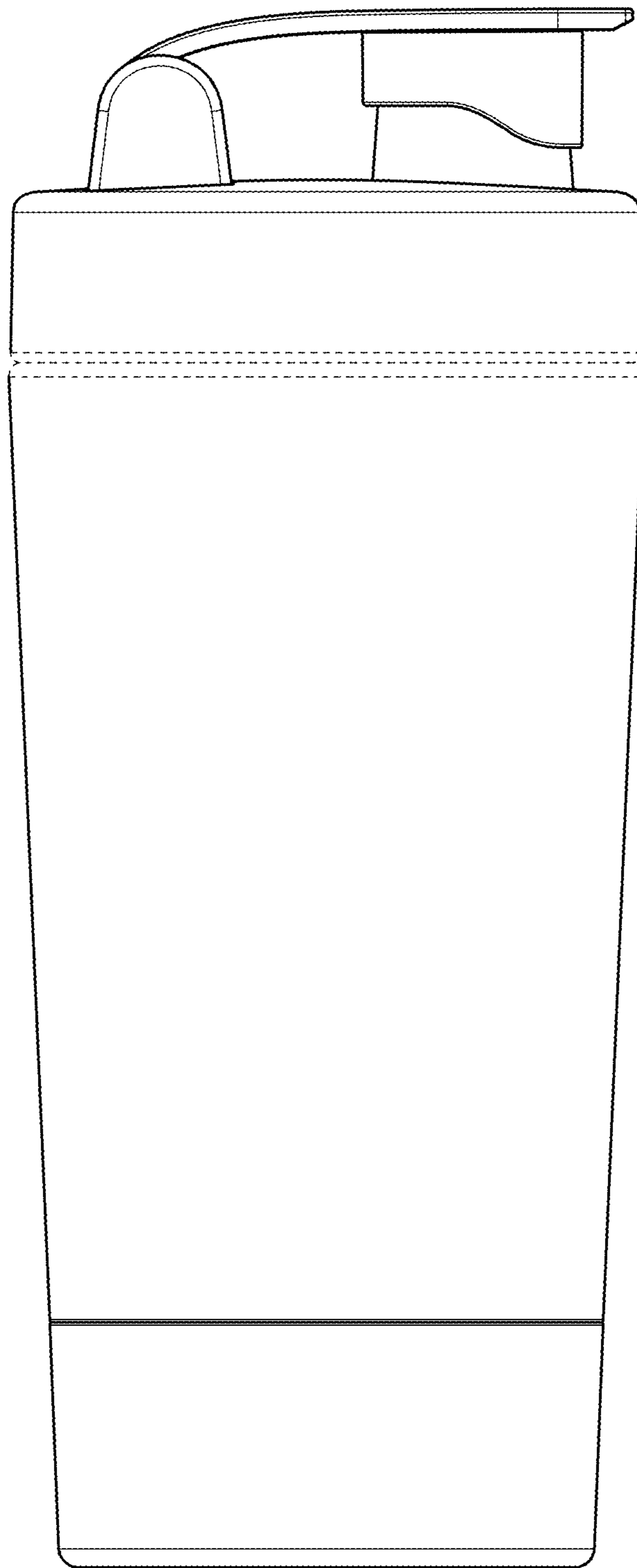


FIG. 4

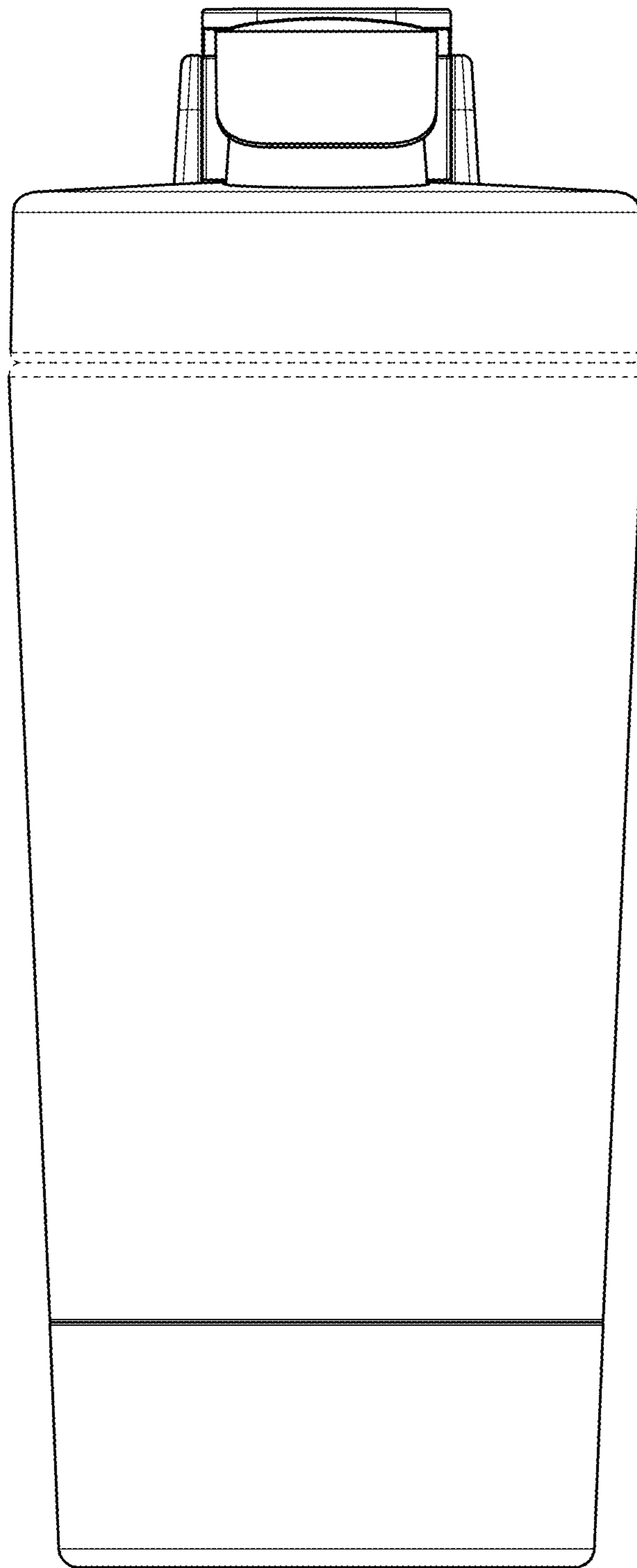


FIG. 5

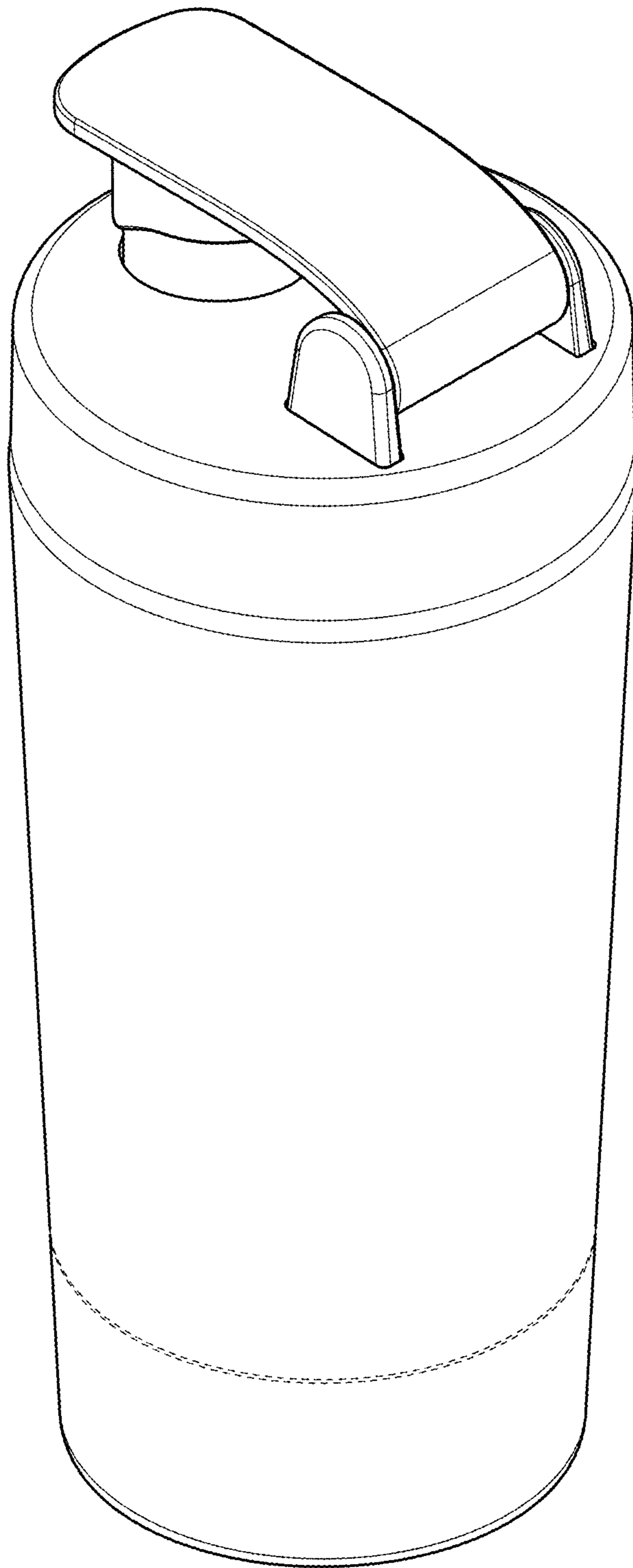


FIG. 6

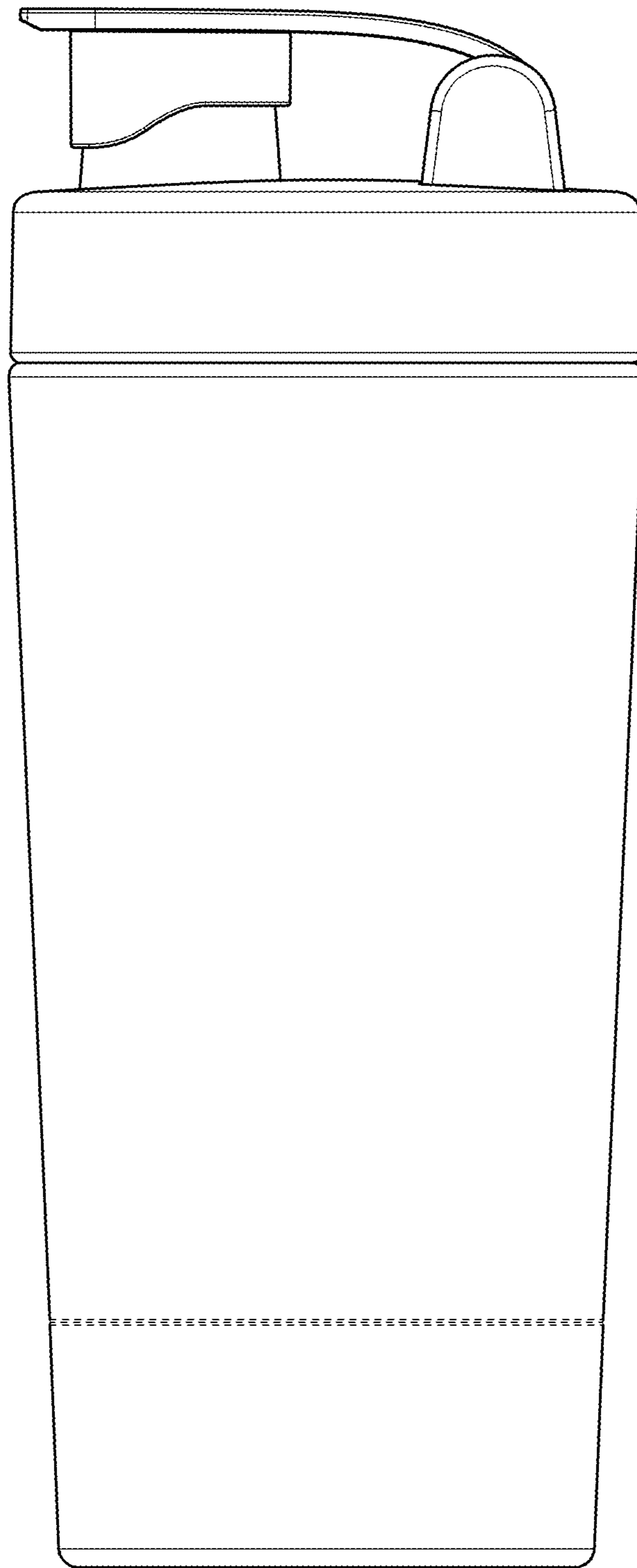


FIG. 7

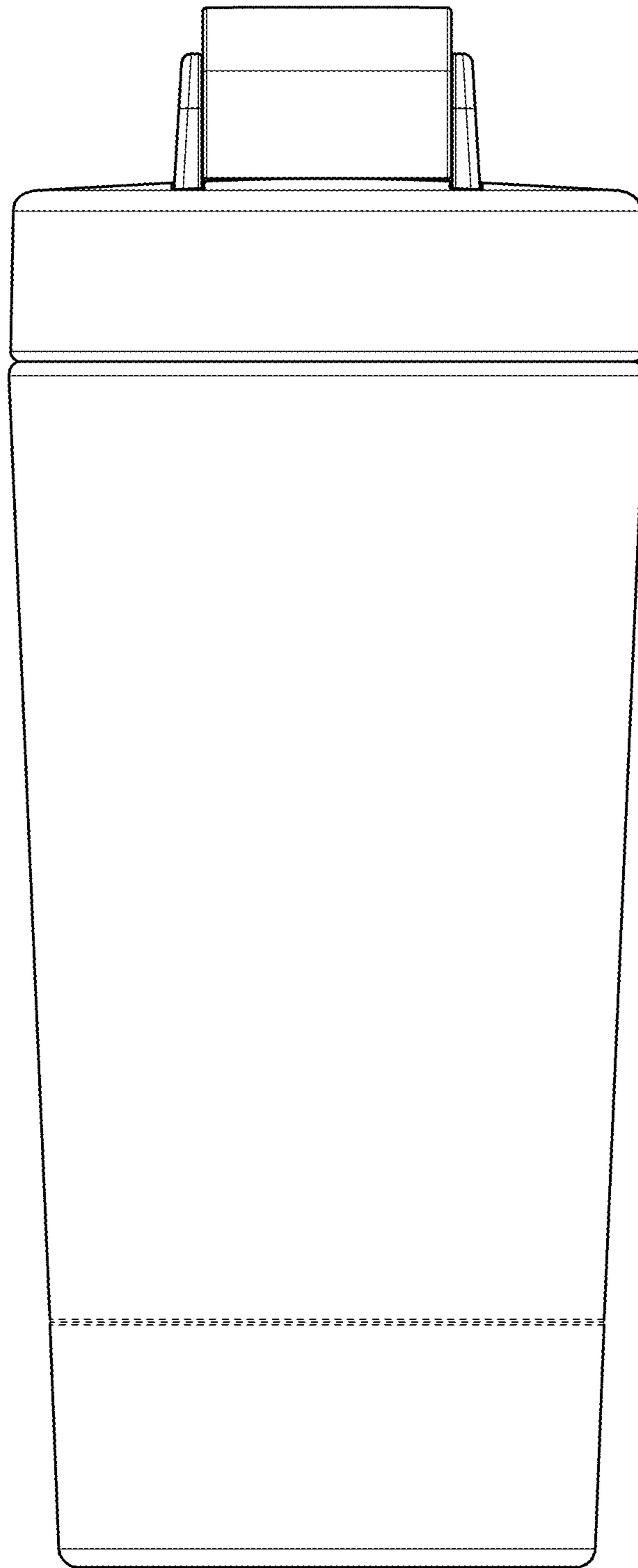


FIG. 8

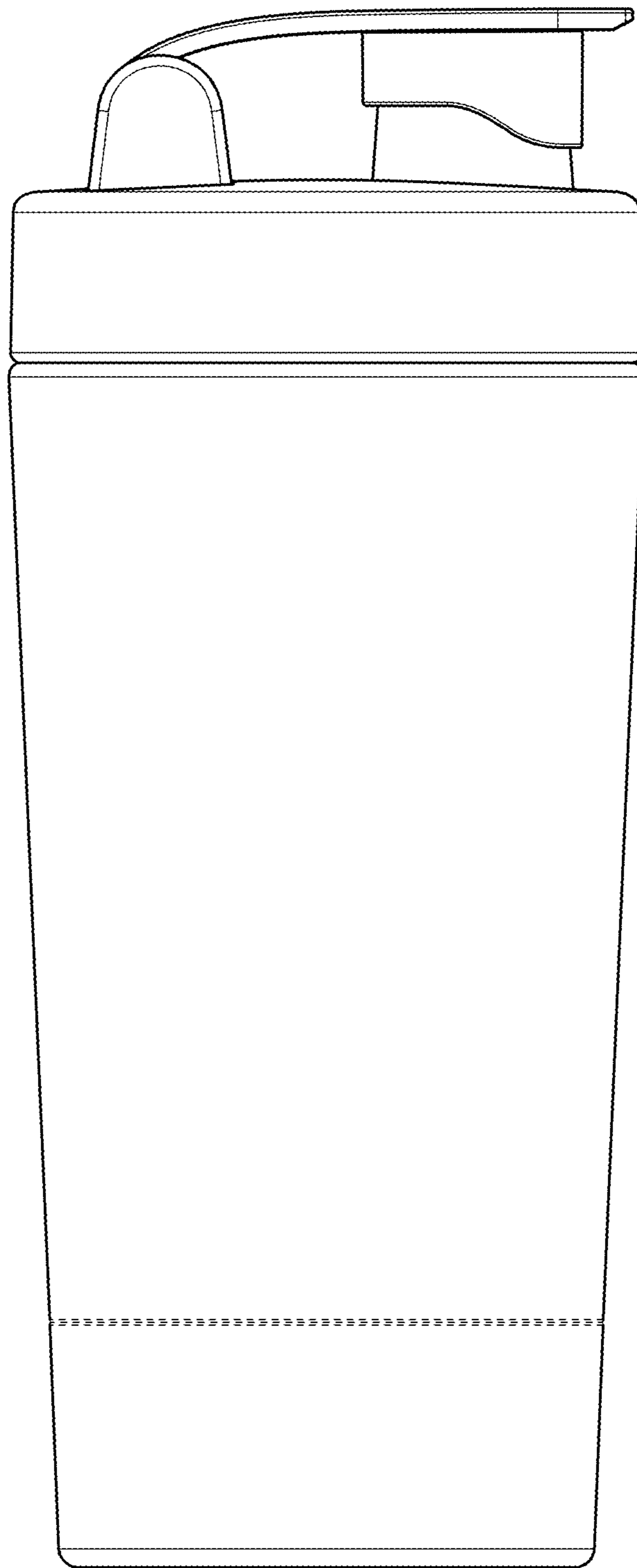


FIG. 9

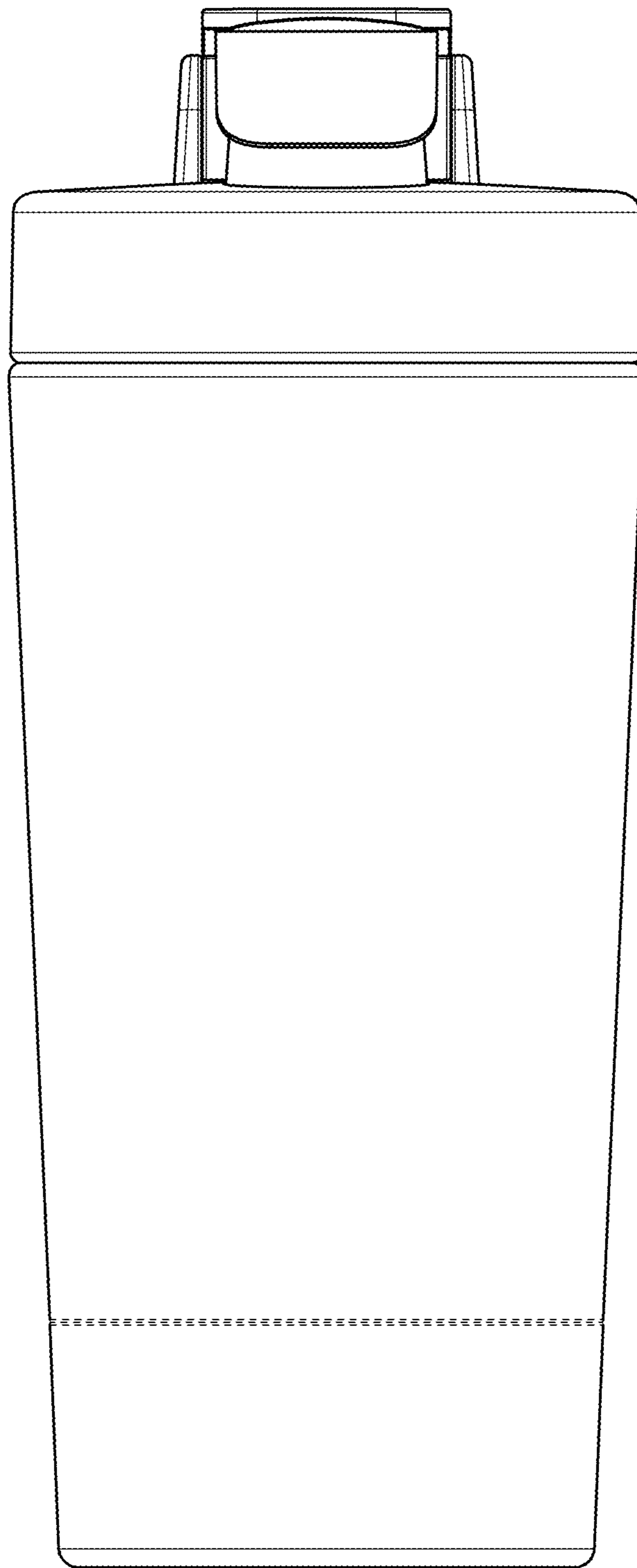


FIG. 10