



US00D972889S

(12) **United States Design Patent** (10) **Patent No.:** **US D972,889 S**  
**Gao** (45) **Date of Patent:** **\*\* Dec. 20, 2022**

(54) **CUP**  
(71) Applicant: **SHENZHEN AI WEI YI TECHNOLOGY CO., LTD**, Shenzhen (CN)

D796,897 S 9/2017 Sunderland  
D799,995 S \* 10/2017 Jeong ..... D10/49  
D826,642 S \* 8/2018 Bowen ..... A47G 23/0233 D7/700

(Continued)

(72) Inventor: **Deng Gao**, Guangshui (CN)  
(73) Assignee: **SHENZHEN AI WEI YI TECHNOLOGY CO., LTD**, Shenzhen (CN)

**FOREIGN PATENT DOCUMENTS**

CN 307132863 \* 3/2022  
EM 008812259-0001 \* 1/2022

(\*\*) Term: **15 Years**

**OTHER PUBLICATIONS**

(21) Appl. No.: **29/821,085**

Portable Can or Bottle Cooler & Cup, first available Aug. 27, 2021, Amazon, [online], [site visited Aug. 16, 2022], Available from internet URL: <https://www.amazon.com/Portable-Keychain-Detachable-Expandable-Lanyard/dp/B09DQ29XBF> (Year : 2021).\*

(22) Filed: **Dec. 27, 2021**

(Continued)

(51) **LOC (13) Cl.** ..... **07-01**

(52) **U.S. Cl.**  
USPC ..... **D7/509**; D7/619.1; D7/700

*Primary Examiner* — Mary Ann Calabrese  
*Assistant Examiner* — Natalya M Rapundalo

(58) **Field of Classification Search**  
USPC ..... D7/368, 387, 509, 533, 601–608, D7/619.1–620, 622–625, 669, 700  
CPC ..... A47G 23/02; A47G 23/0208; A47G 23/0216; A47G 23/0233; A47G 23/0241; A47G 23/0266; A47G 23/0275; A47G 23/0283; A47G 23/0291; F25D 3/08  
See application file for complete search history.

(57) **CLAIM**

The ornamental design for a cup, as shown and described.

(56) **References Cited**

**DESCRIPTION**

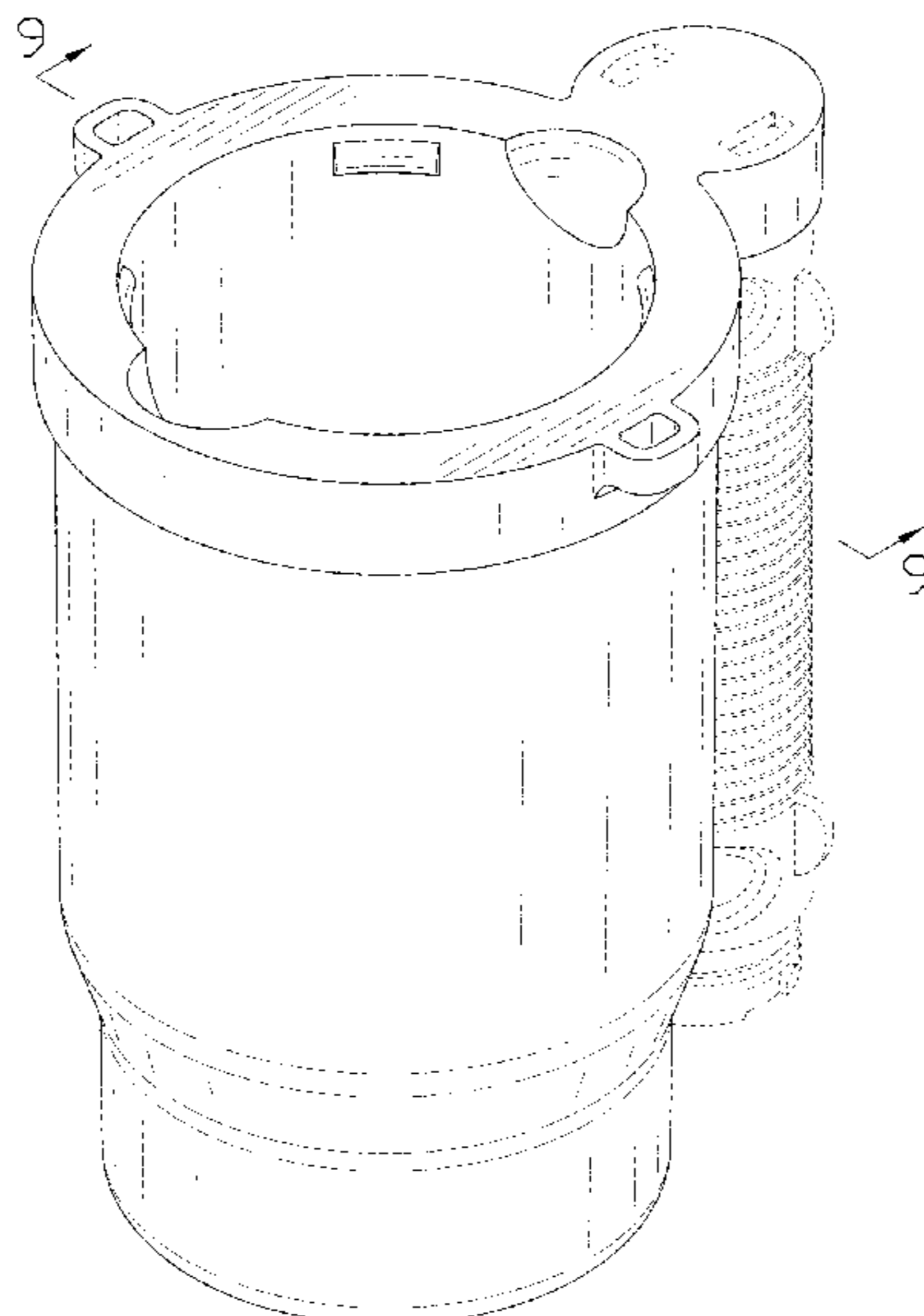
**U.S. PATENT DOCUMENTS**

D334,869 S \* 4/1993 Mills ..... D7/605  
D340,623 S \* 10/1993 Ryan ..... D7/622  
6,101,838 A \* 8/2000 Teague ..... F25D 3/08 62/530  
D433,877 S \* 11/2000 Bickert ..... D7/394  
6,244,461 B1 \* 6/2001 Roberts ..... A47G 23/0233 220/741  
D479,950 S 9/2003 Lin  
D591,099 S \* 4/2009 Bruce ..... D7/301  
D658,922 S \* 5/2012 Fallon ..... D7/509  
D727,689 S \* 4/2015 Wampold ..... D7/625

FIG. 1 is a top, front perspective view of a cup showing my new design;  
FIG. 2 is a bottom, rear perspective view thereof;  
FIG. 3 is a front elevational view thereof;  
FIG. 4 is a rear elevational view thereof;  
FIG. 5 is a left side elevational view thereof;  
FIG. 6 is a right side elevational view thereof;  
FIG. 7 is a top plan view thereof;  
FIG. 8 is a bottom plan view thereof; and,  
FIG. 9 is a cross-sectional view of the cup taken along section line 9-9 in FIG. 1.

The broken lines in the drawings depict portions of the cup that form no part of the claimed design.

**1 Claim, 9 Drawing Sheets**



(56)

**References Cited**

U.S. PATENT DOCUMENTS

D947,622 S \* 4/2022 Sutton ..... F25D 3/08  
D7/622  
D954,508 S \* 6/2022 Ni ..... D7/622

OTHER PUBLICATIONS

Portable Can or Bottle Cooler, first available Dec. 23, 2021, Amazon, [online], [site visited Aug. 25, 2022], Available from internet URL: <https://www.amazon.com/Portable-Detachable-Expandable-Suitable-Christmas/dp/B09P2P5N8S> (Year: 2021).\*

Portable Can Cooler Cup, first available Apr. 1, 2022, Amazon, [online], [site visited Aug. 16, 2022], Available from internet URL: <https://www.amazon.com/dp/B09X1F98N8> (Year: 2022).\*

JLLOM Drink Funnel Portable Can or Bottle Cooler Cup, first available May 19, 2022, Amazon, [online], [site visited Aug. 16, 2022], Available from internet URL: <https://www.amazon.com/JLLOM-Portable-Detachable-Expandable-Black/dp/B0B1PQXP7C> (Year: 2022).\*

\* cited by examiner

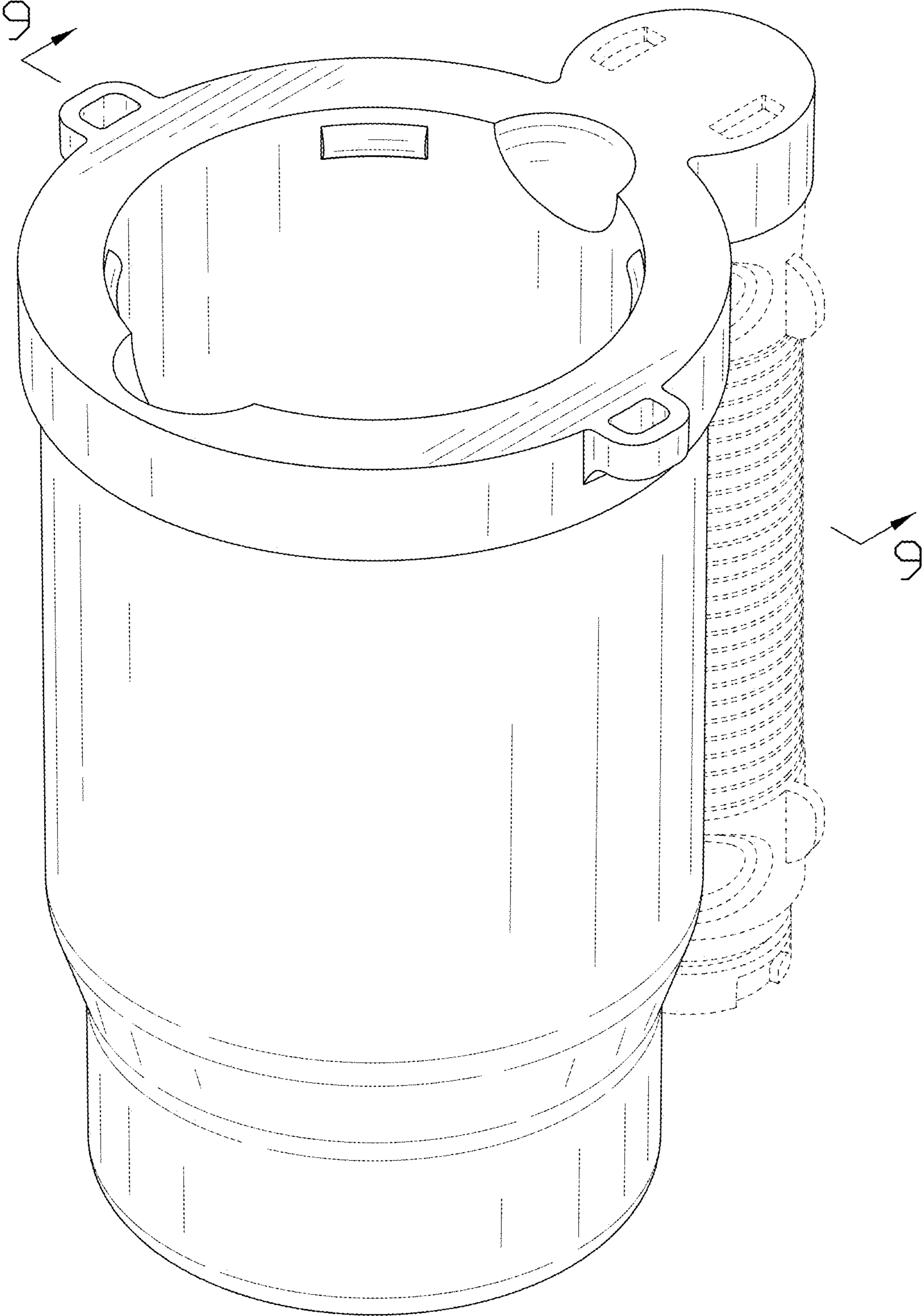


FIG. 1

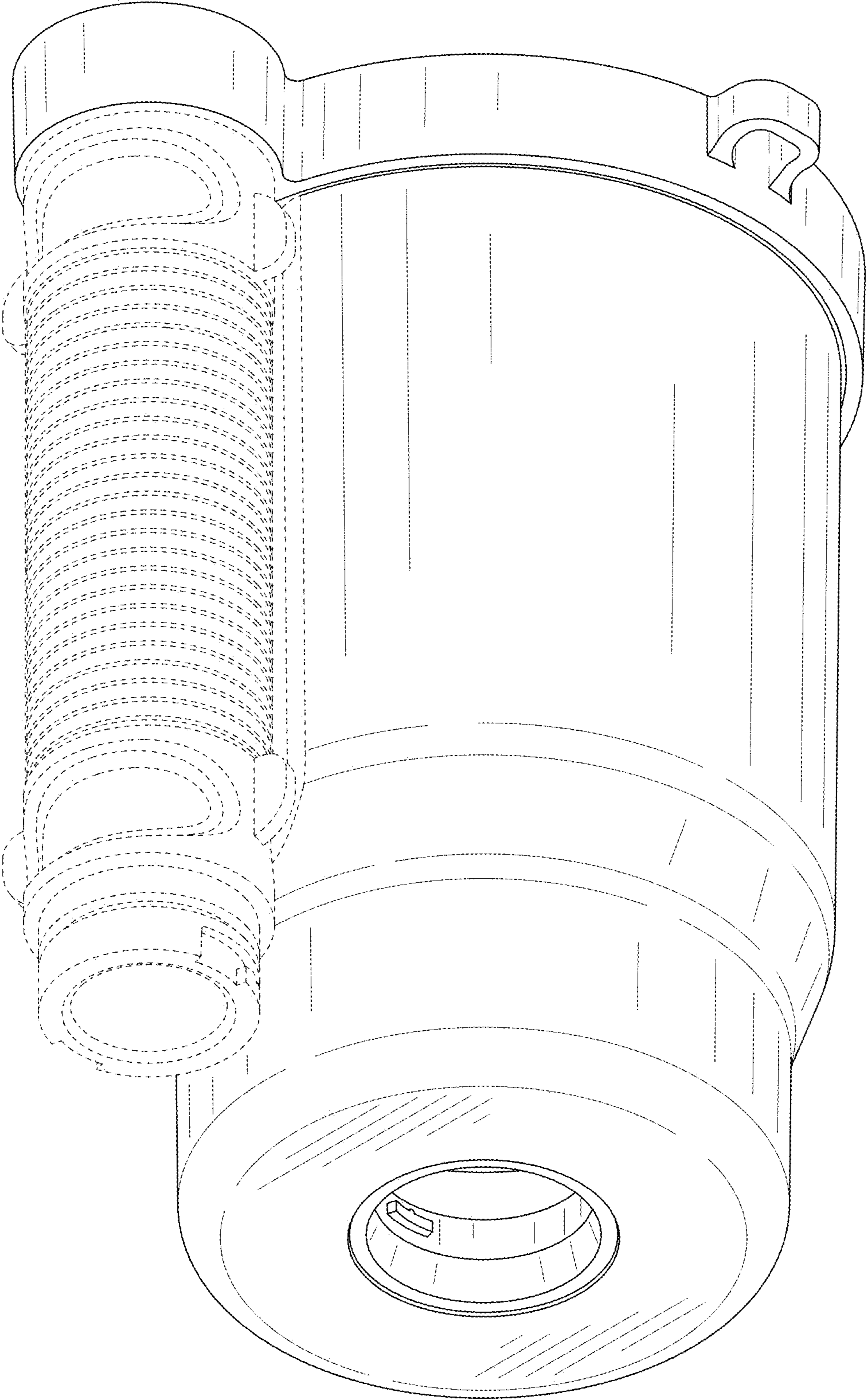


FIG. 2

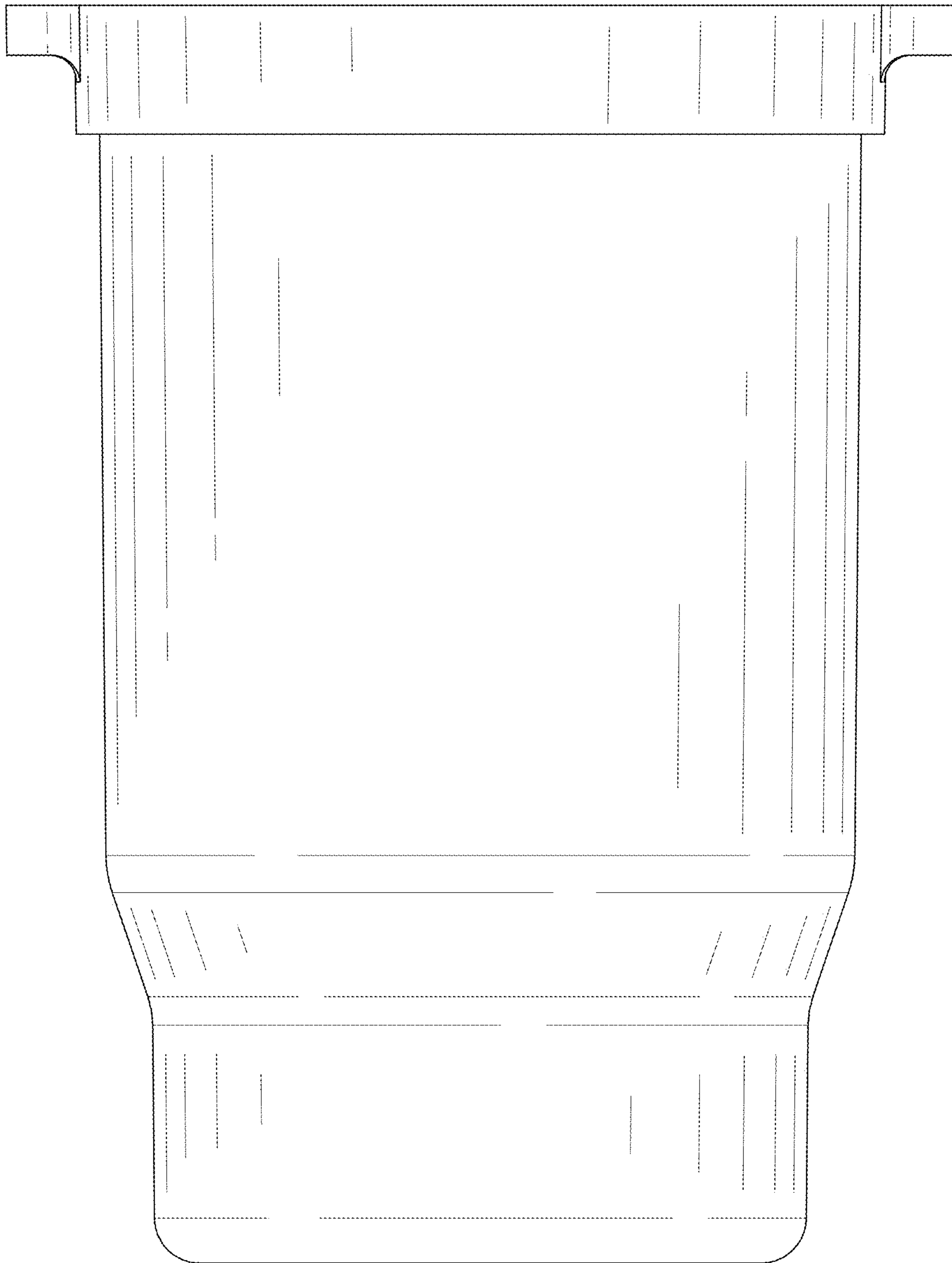


FIG. 3

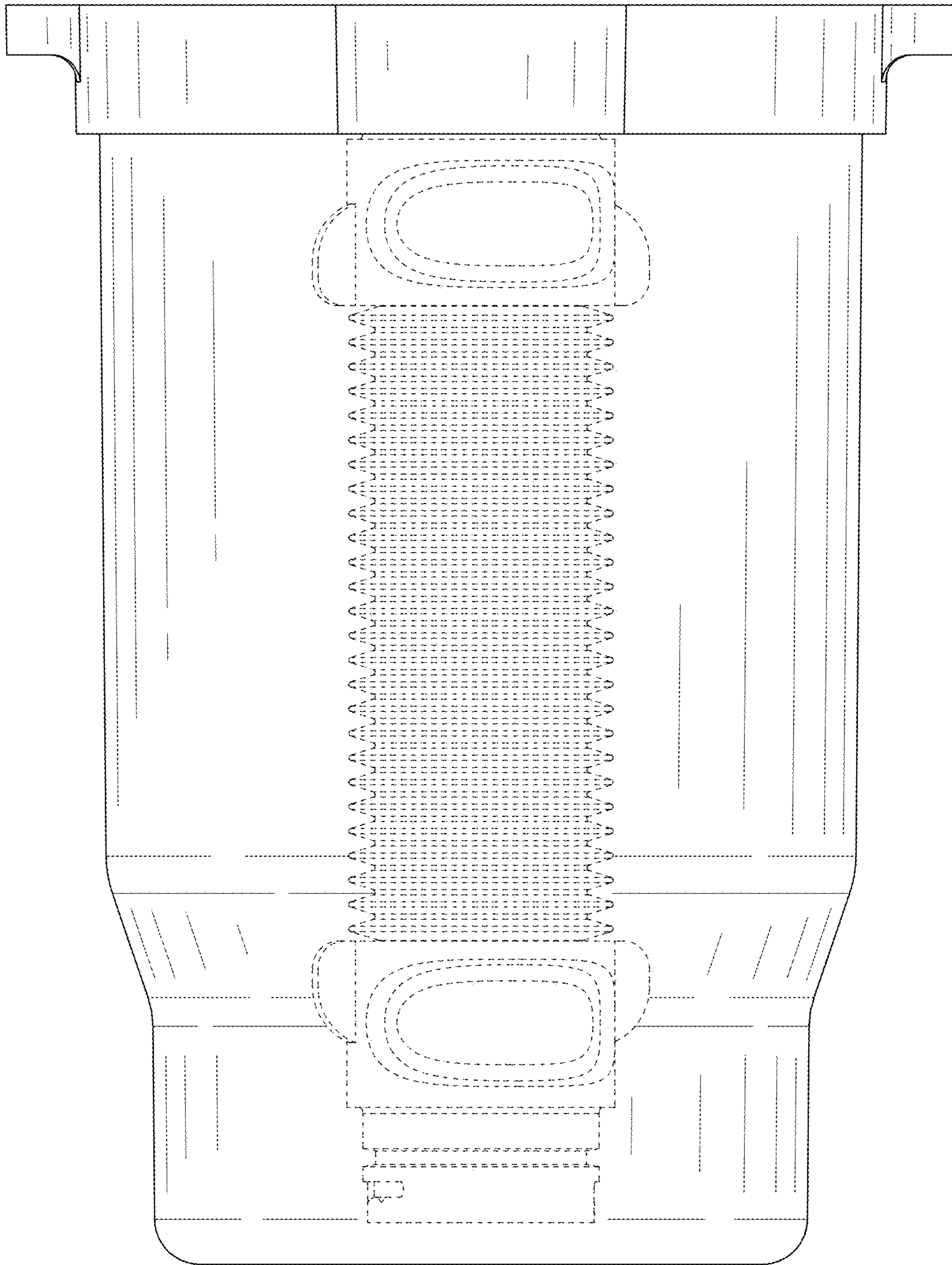


FIG. 4

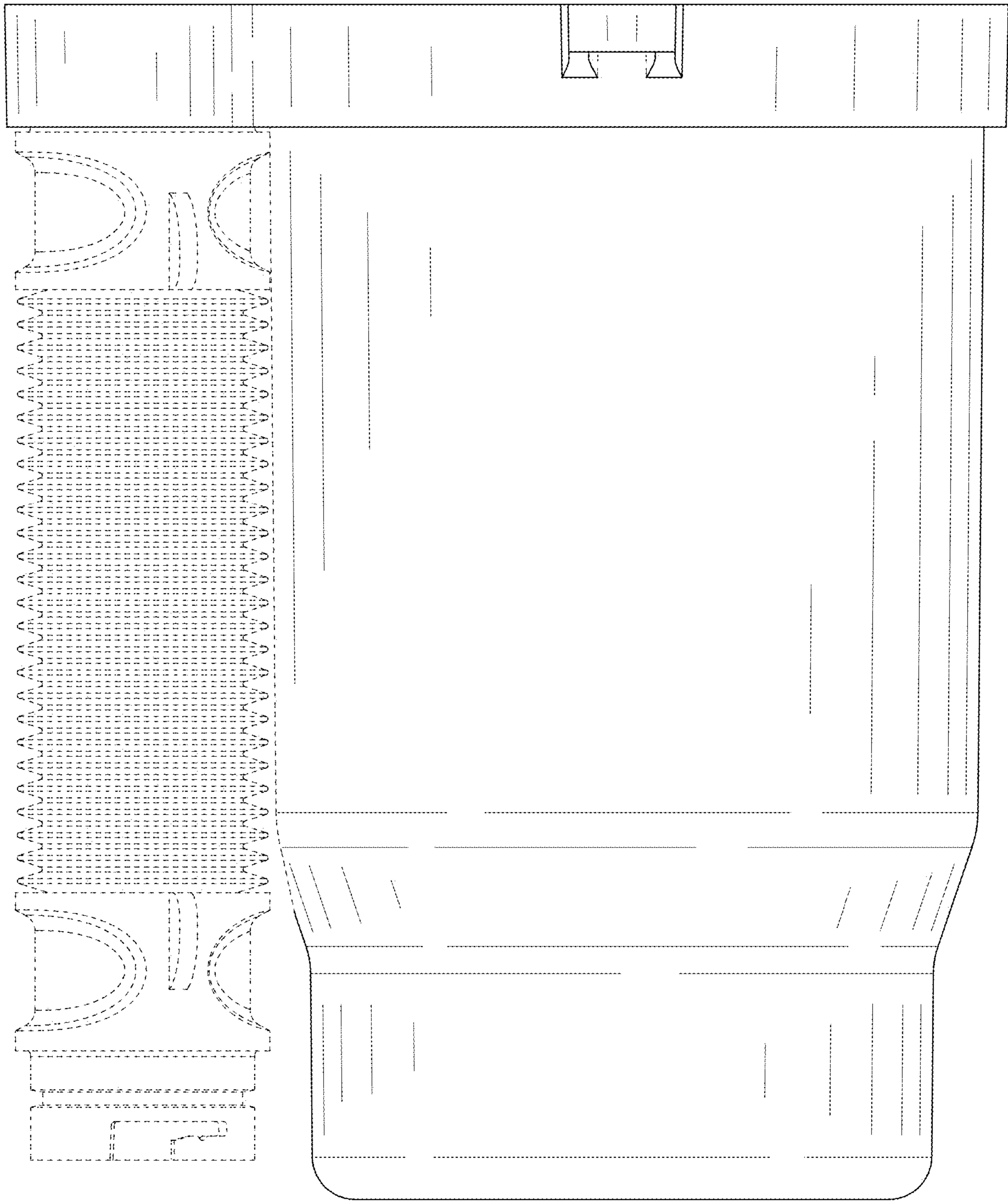


FIG. 5

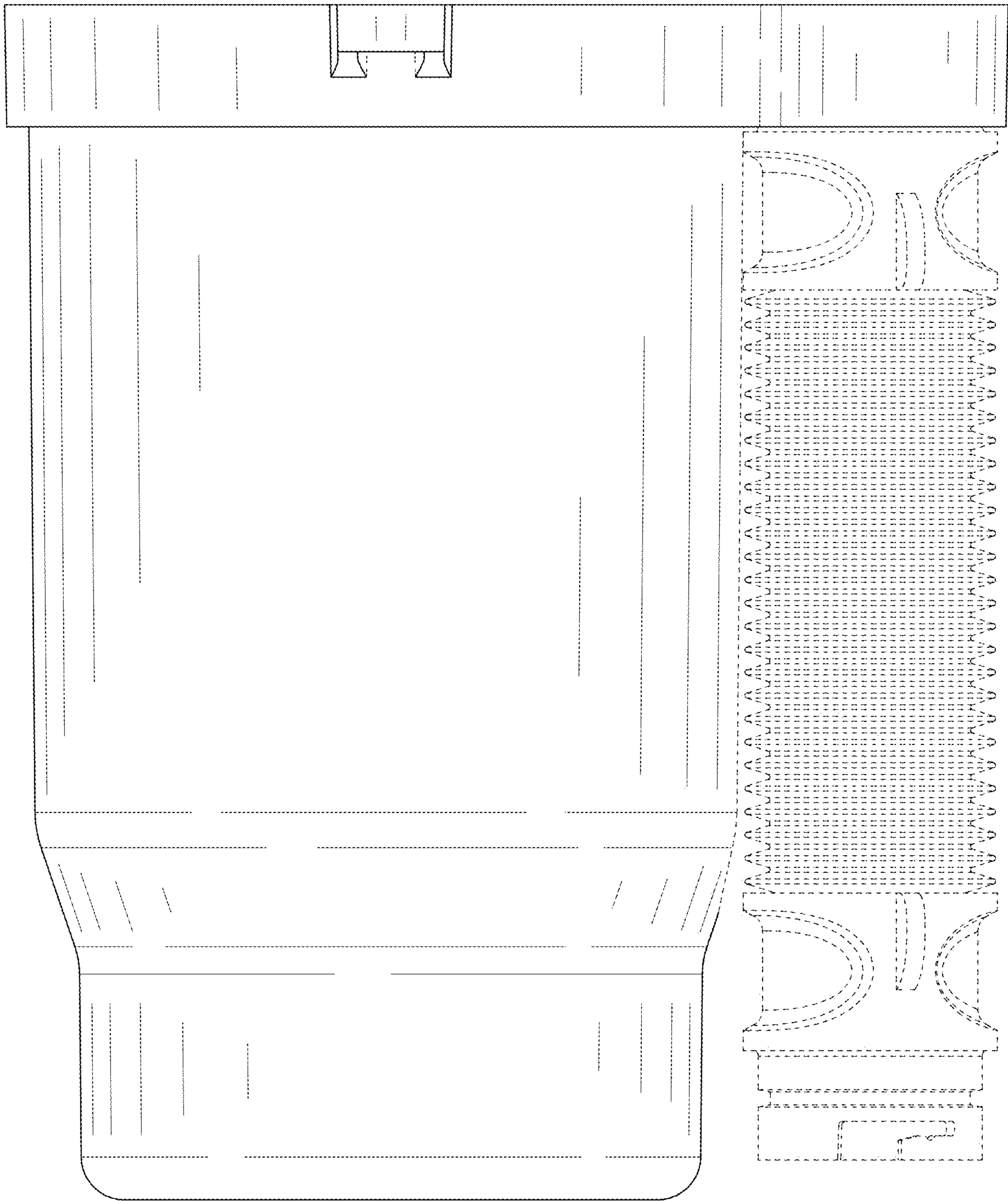


FIG. 6



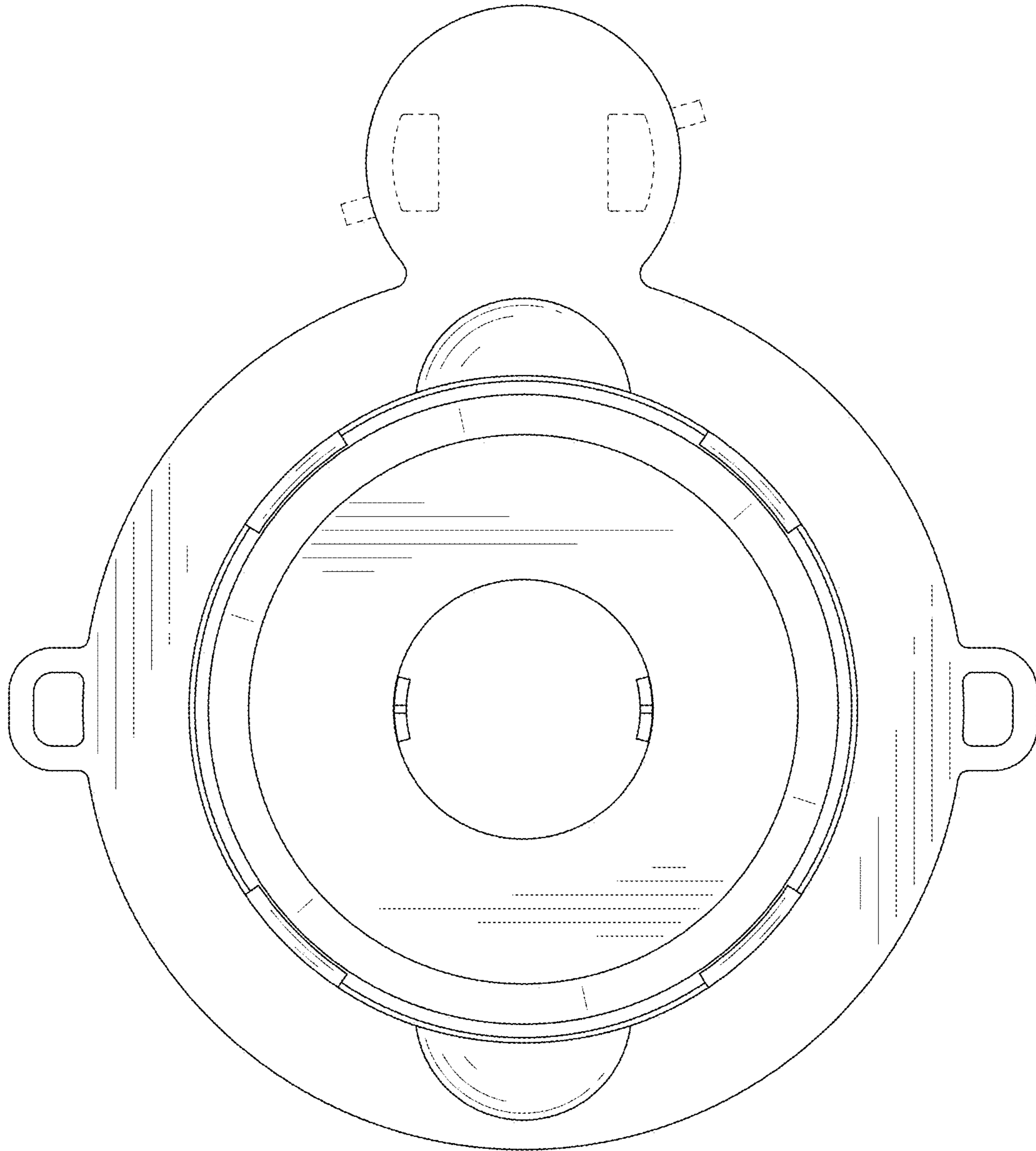


FIG. 7

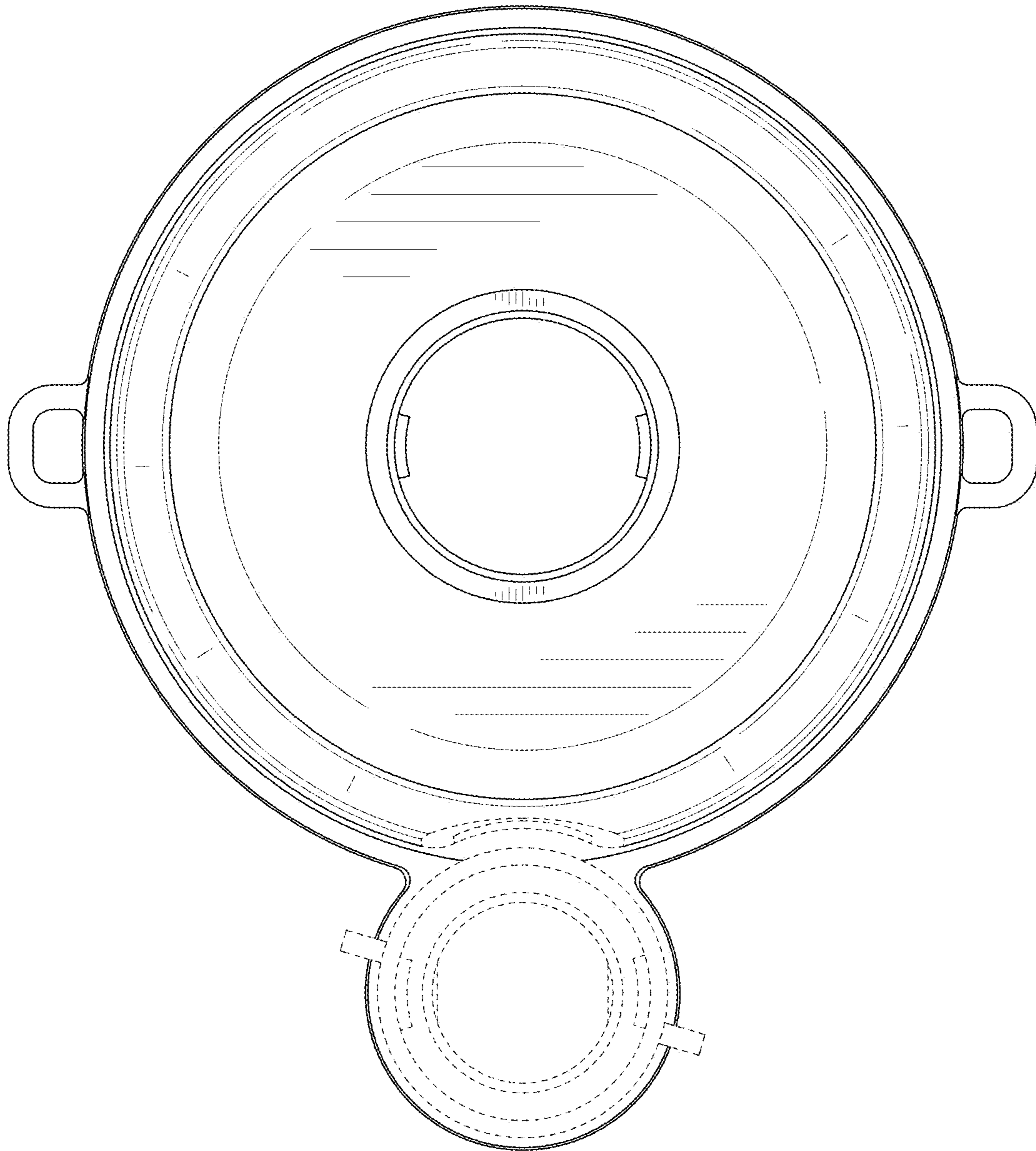


FIG. 8

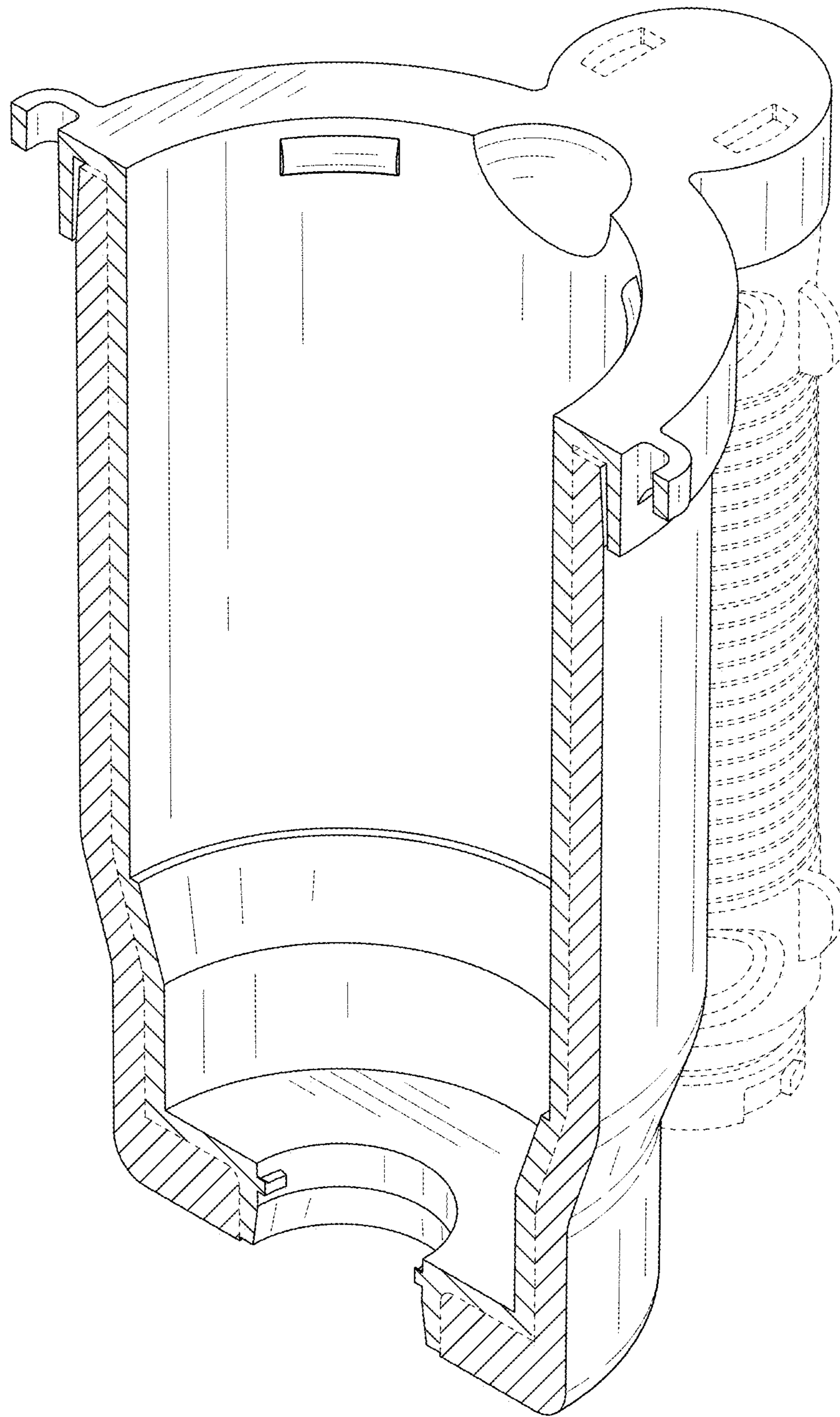


FIG. 9