



US00D972885S

(12) **United States Design Patent** (10) **Patent No.:** **US D972,885 S**
Guerriero (45) **Date of Patent:** **** Dec. 20, 2022**

(54) **WINE AERATOR**
(71) Applicant: **Francesco Guerriero**, Boca Raton, FL (US)
(72) Inventor: **Francesco Guerriero**, Boca Raton, FL (US)
(73) Assignee: **Donna Pascoe**, Delray Beach, FL (US)
(**) Term: **15 Years**

D660,078 S * 5/2012 Kehoe D7/400
D663,593 S * 7/2012 Huynh
D677,524 S * 3/2013 Agarwal D7/397
D681,393 S * 5/2013 Agarwal D7/700
D710,649 S * 8/2014 Kihl
D772,004 S * 11/2016 Khan D7/397
D798,659 S * 10/2017 Casper D7/400
D801,748 S * 11/2017 Sullivan D7/397
D838,541 S * 1/2019 Carter
D847,570 S * 5/2019 Wampold D10/118
D855,392 S * 8/2019 Shim D7/397
D887,761 S * 6/2020 Xu D7/300.1

(Continued)

(21) Appl. No.: **29/778,607**
(22) Filed: **Apr. 14, 2021**
(51) **LOC (13) Cl.** **07-06**
(52) **U.S. Cl.**
USPC **D7/400**
(58) **Field of Classification Search**
USPC D7/316, 387, 396.2, 397, 398, 400, 507;
D27/162, 163, 164, 166, 167, 169
CPC A47G 19/22; A47G 19/2205; A47G 23/00;
A47G 23/0241; A47G 2400/045; B01F
2101/17; B01F 23/2361; B01F 23/23761;
B01F 23/237611; B01F 23/23123; B01F
25/31242; B01F 23/23412; B01F 23/232;
B01F 27/84; B01F 33/5011; B67D
1/0004; C12G 1/00; C12H 1/14
See application file for complete search history.

FOREIGN PATENT DOCUMENTS

EM 001397772 1/2014
WO 2011/141773 11/2011

OTHER PUBLICATIONS

Wine Aerator Patentability Search Report, Mar. 31, 2021, pp. 1-10.
(Continued)

Primary Examiner — Joseph Kukella
Assistant Examiner — Darryl J Dardenne
(74) *Attorney, Agent, or Firm* — Melcher Patent Law
PLLC; Jeffrey S. Melcher

(56) **References Cited**

U.S. PATENT DOCUMENTS

D261,439 S * 10/1981 Sher D27/162
D349,780 S * 8/1994 Heine D27/162
D535,559 S * 1/2007 Kehoe
D604,560 S * 11/2009 Priest D7/523
D605,465 S * 12/2009 Benton D7/400
D612,659 S * 3/2010 Kehoe D7/316
D623,010 S * 9/2010 Higgins
D624,355 S * 9/2010 Tiso D7/387
D624,358 S * 9/2010 Mauffette D7/397
D631,291 S * 1/2011 Kushner
D635,823 S * 4/2011 Mauffette D7/397
D652,251 S * 1/2012 Goralski D7/397

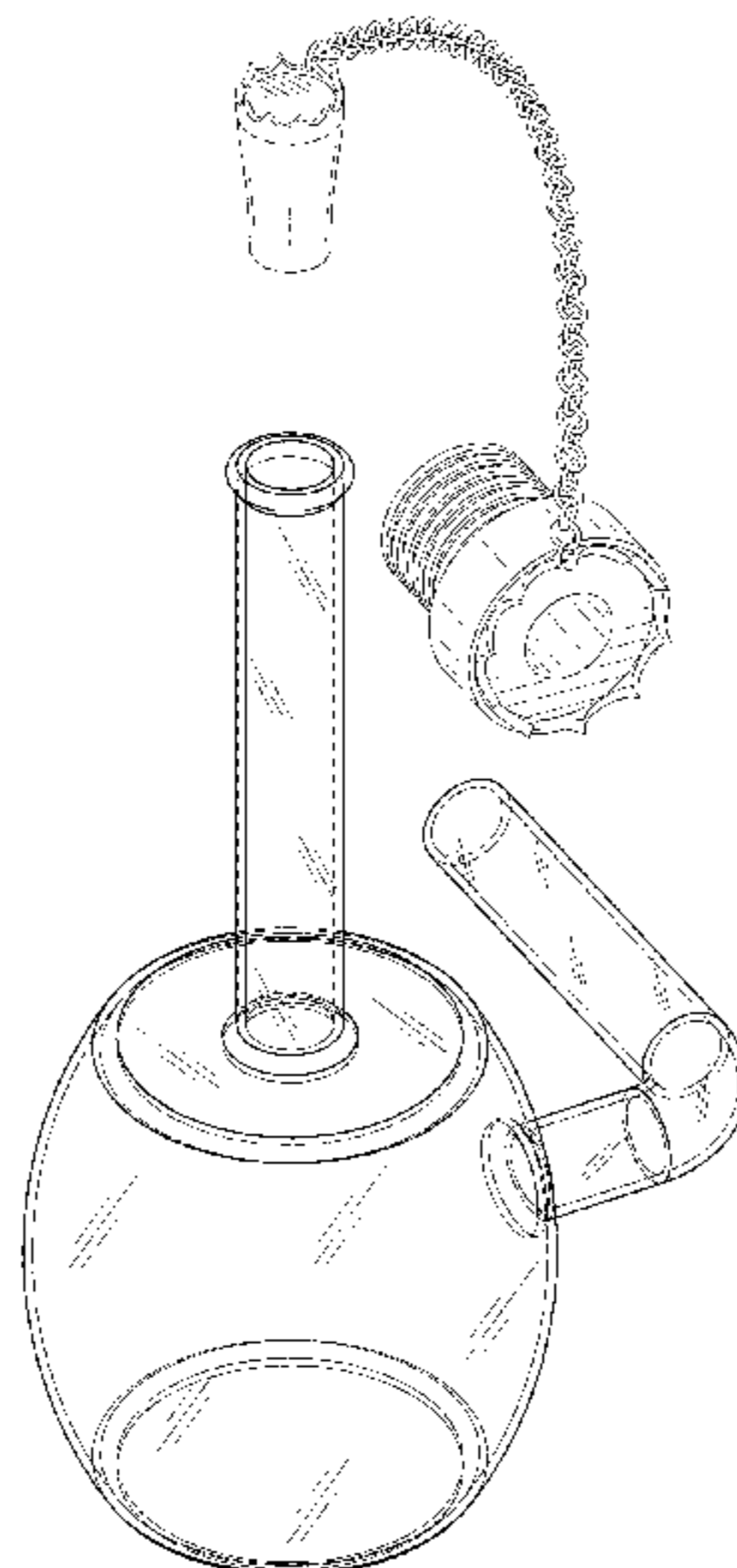
(57) **CLAIM**

I claim the ornamental design for a wine aerator, as shown and described.

DESCRIPTION

FIG. 1 is a top perspective view of the wine aerator;
FIG. 2 is a bottom perspective view of the wine aerator;
FIG. 3 is a top view of the wine aerator;
FIG. 4 is a bottom view of the wine aerator;
FIG. 5 is a left view of the wine aerator;
FIG. 6 is a right view of the wine aerator;
FIG. 7 is a front view of the wine aerator; and,
FIG. 8 is a back view of the wine aerator.

1 Claim, 7 Drawing Sheets



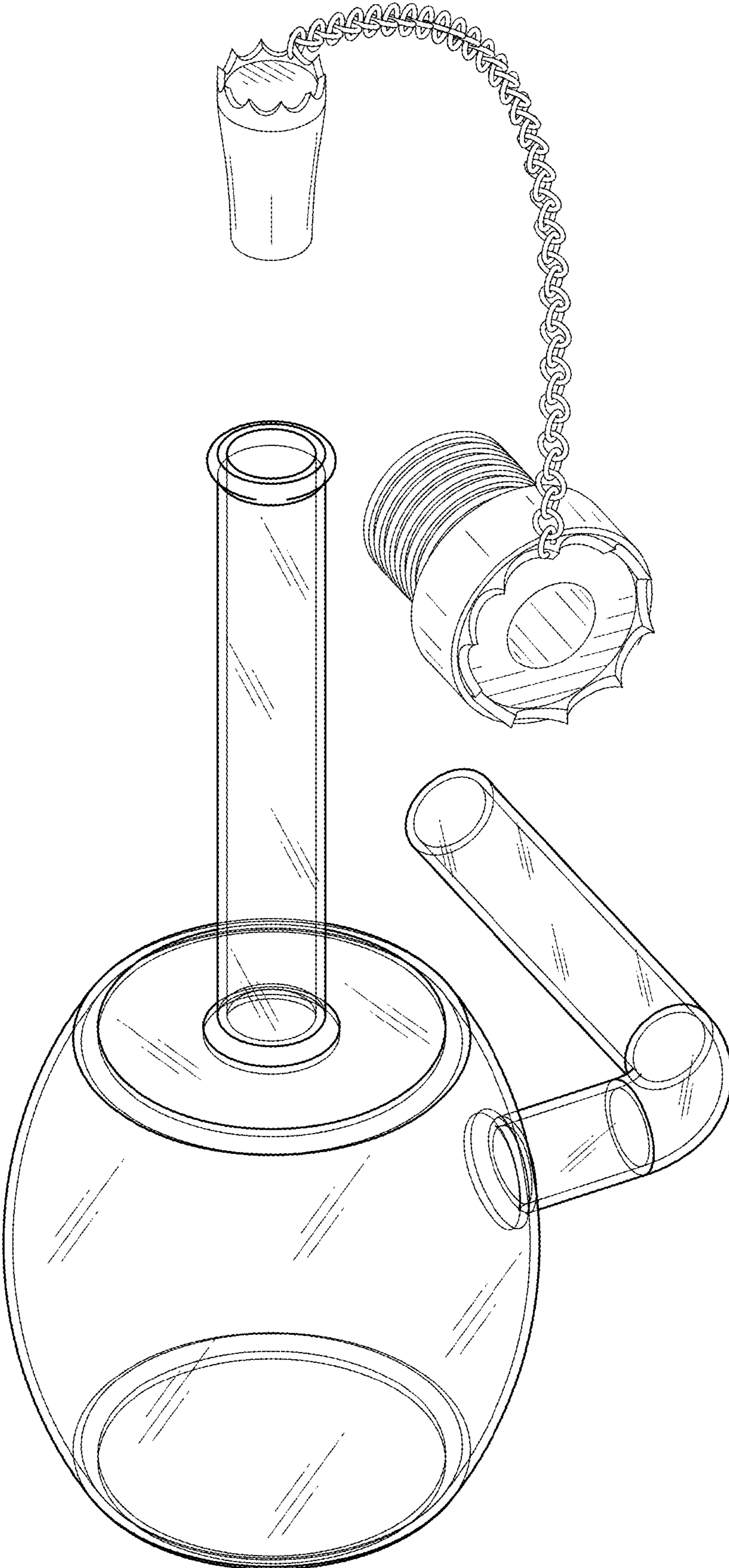


FIG. 1

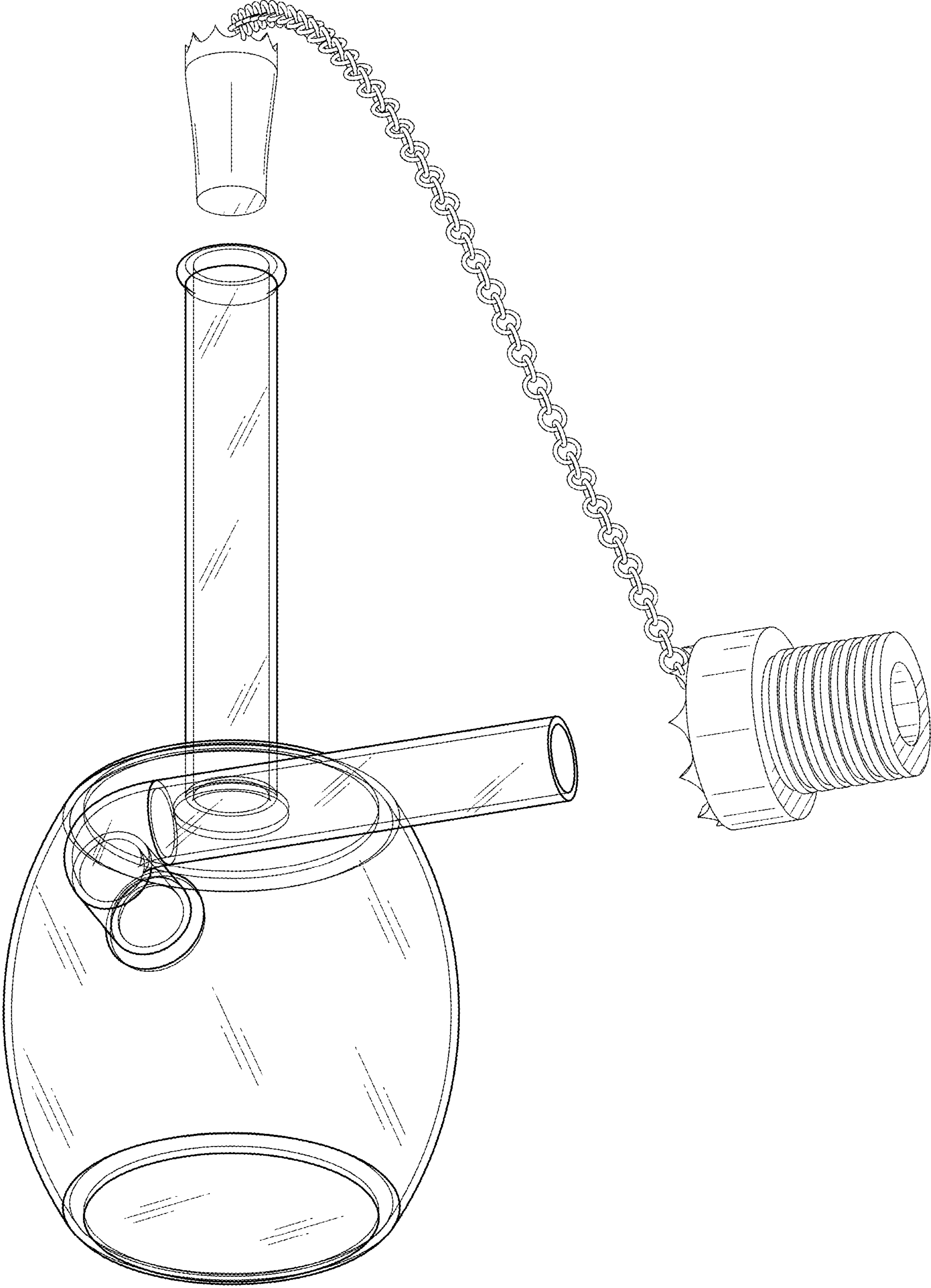


FIG. 2

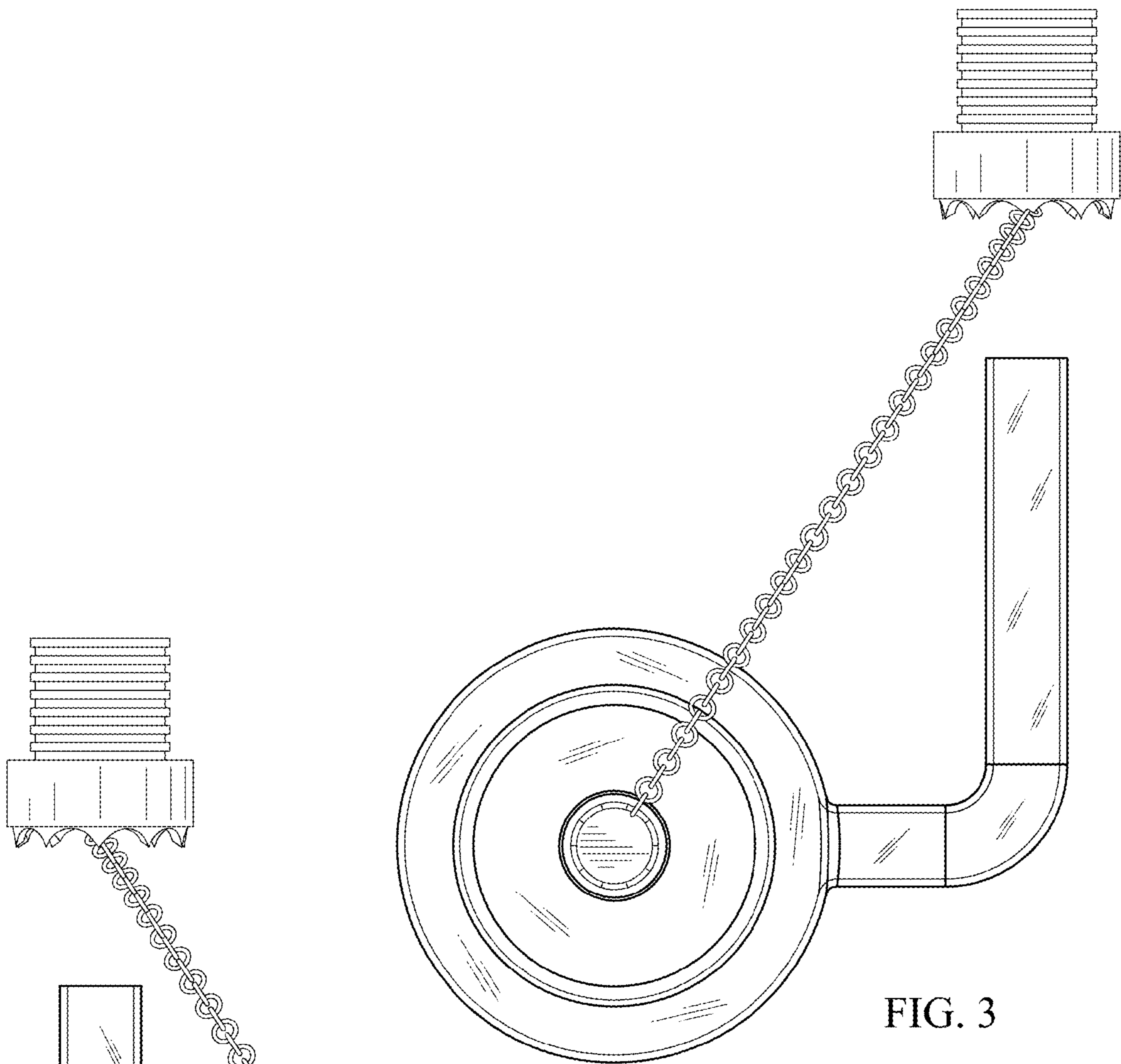


FIG. 3

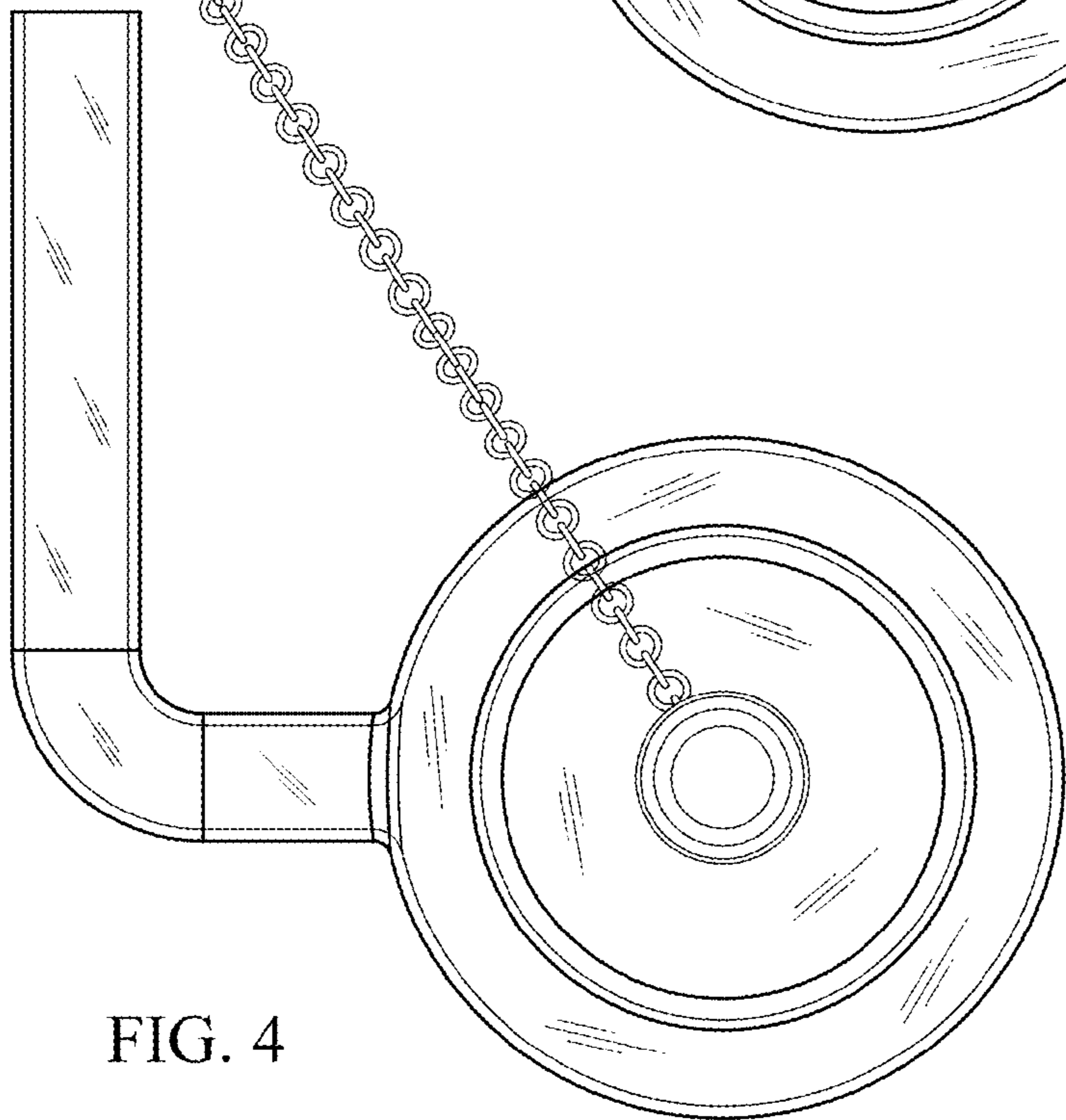


FIG. 4

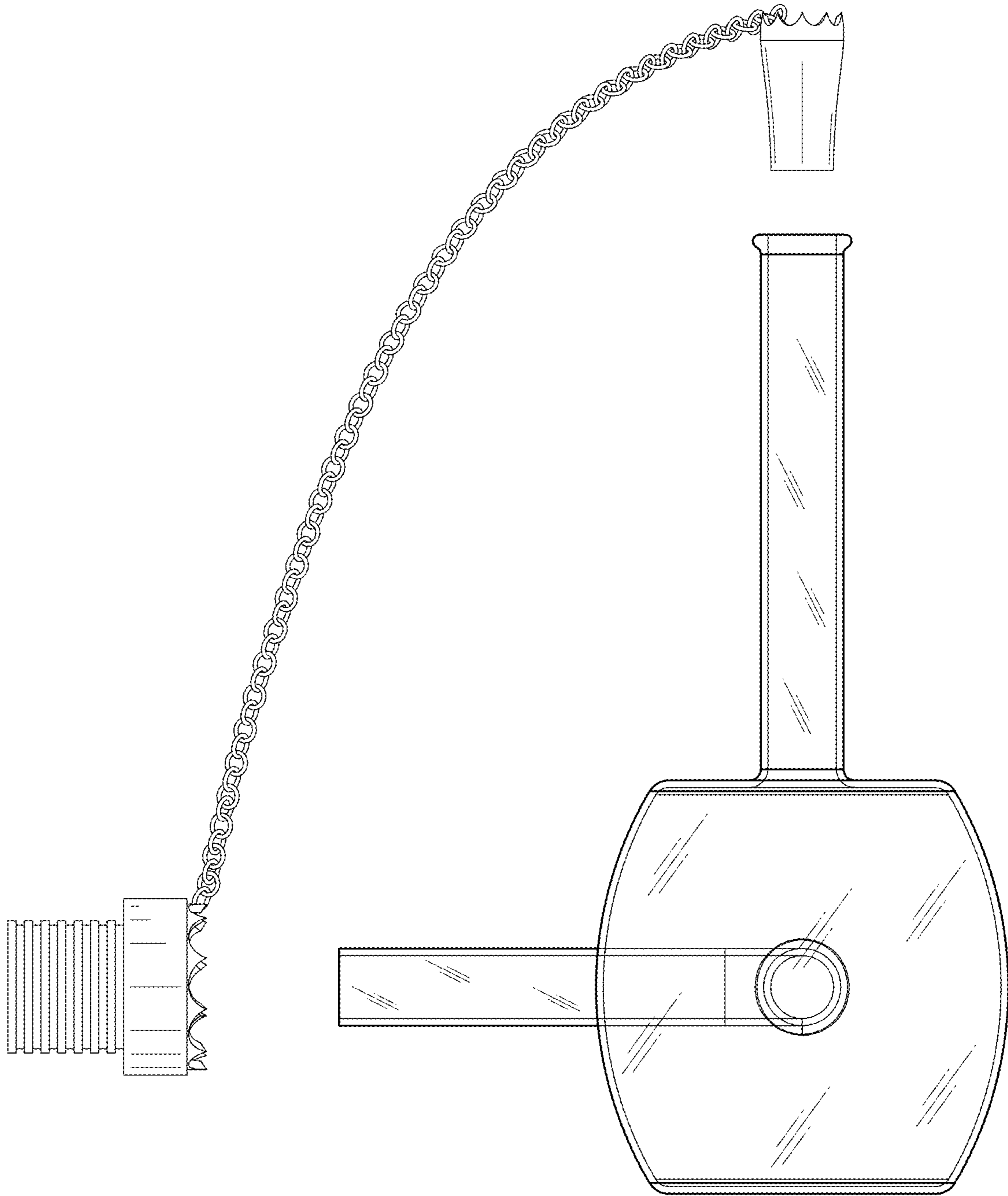


FIG. 5

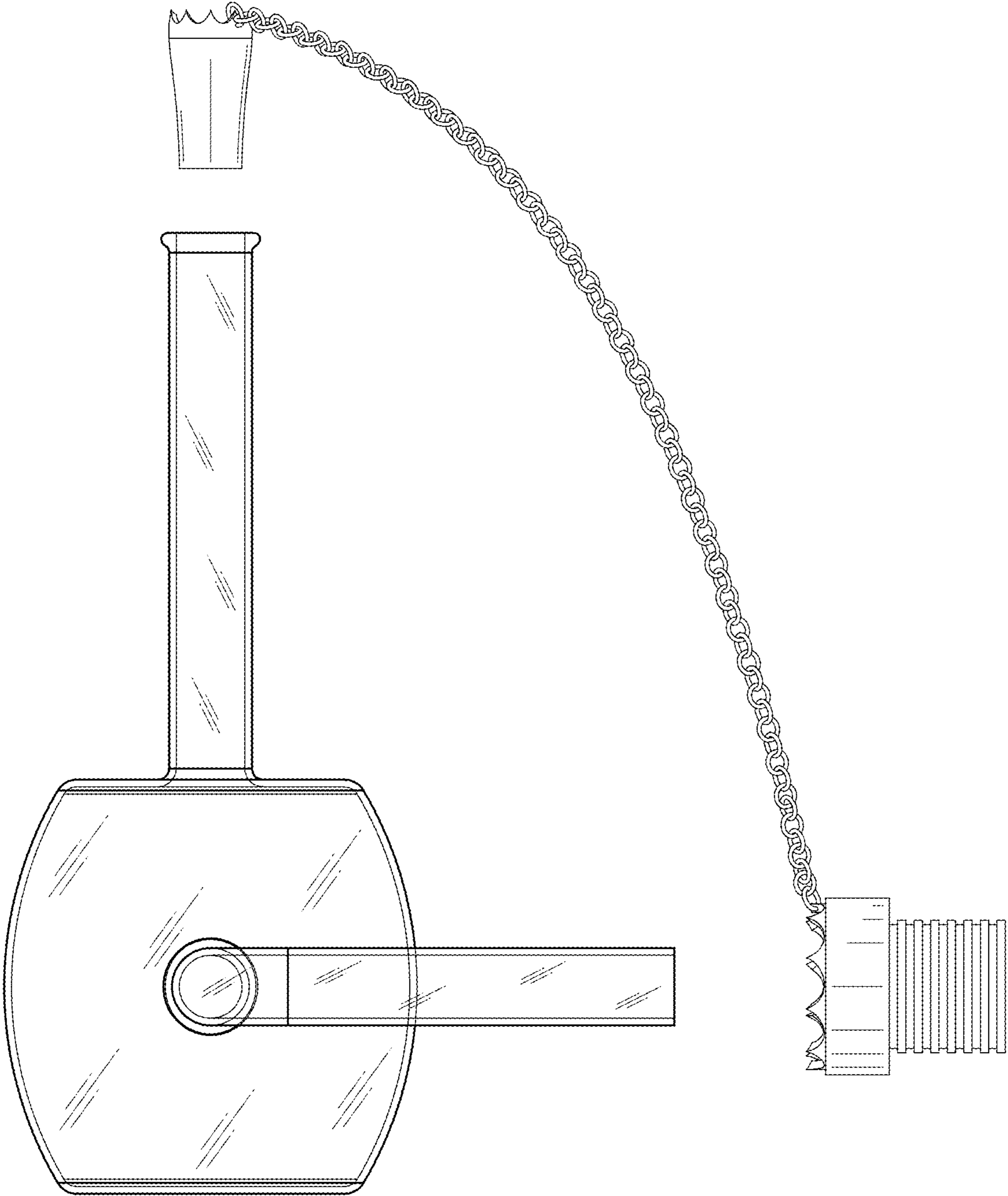


FIG. 6

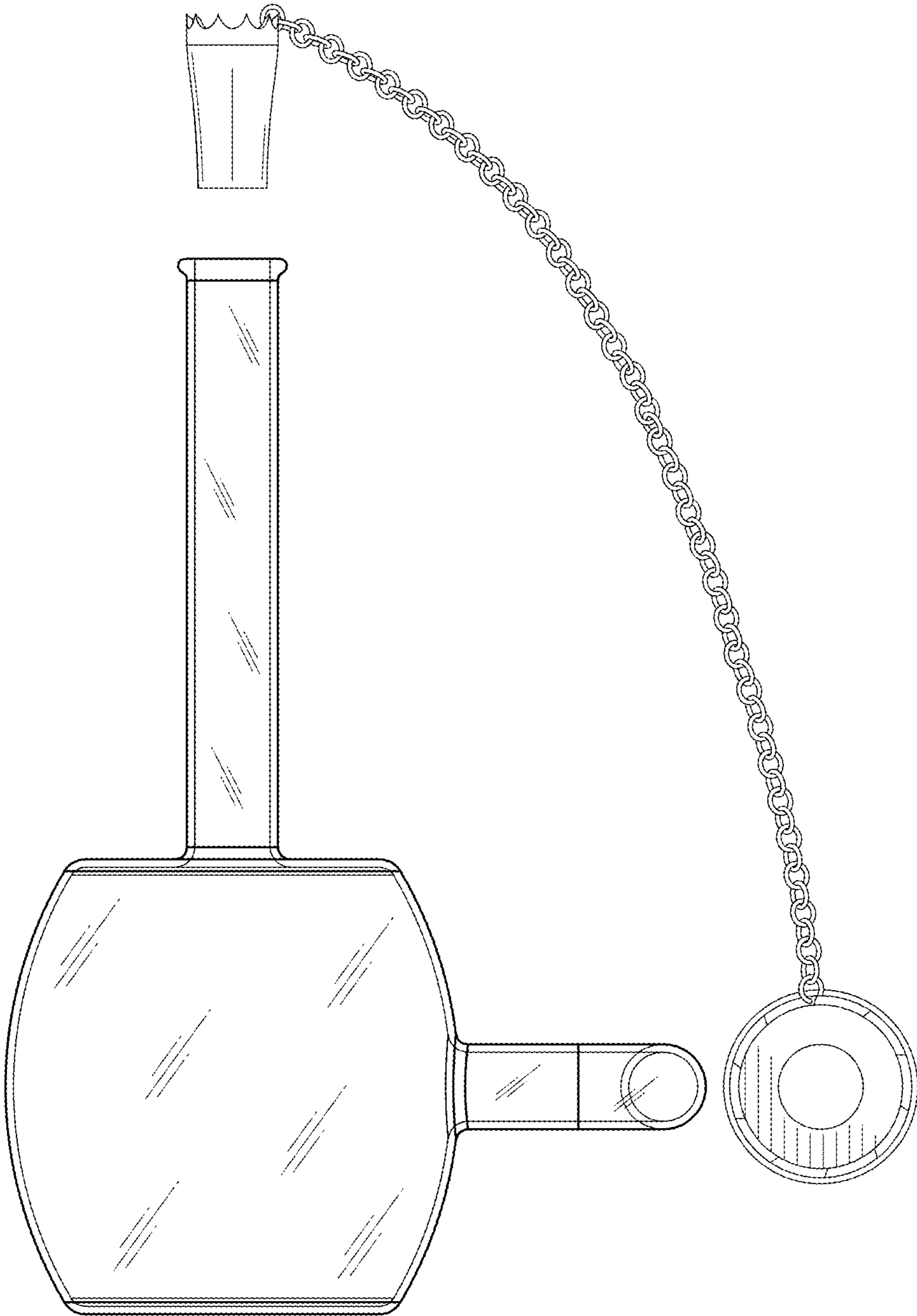


FIG. 7

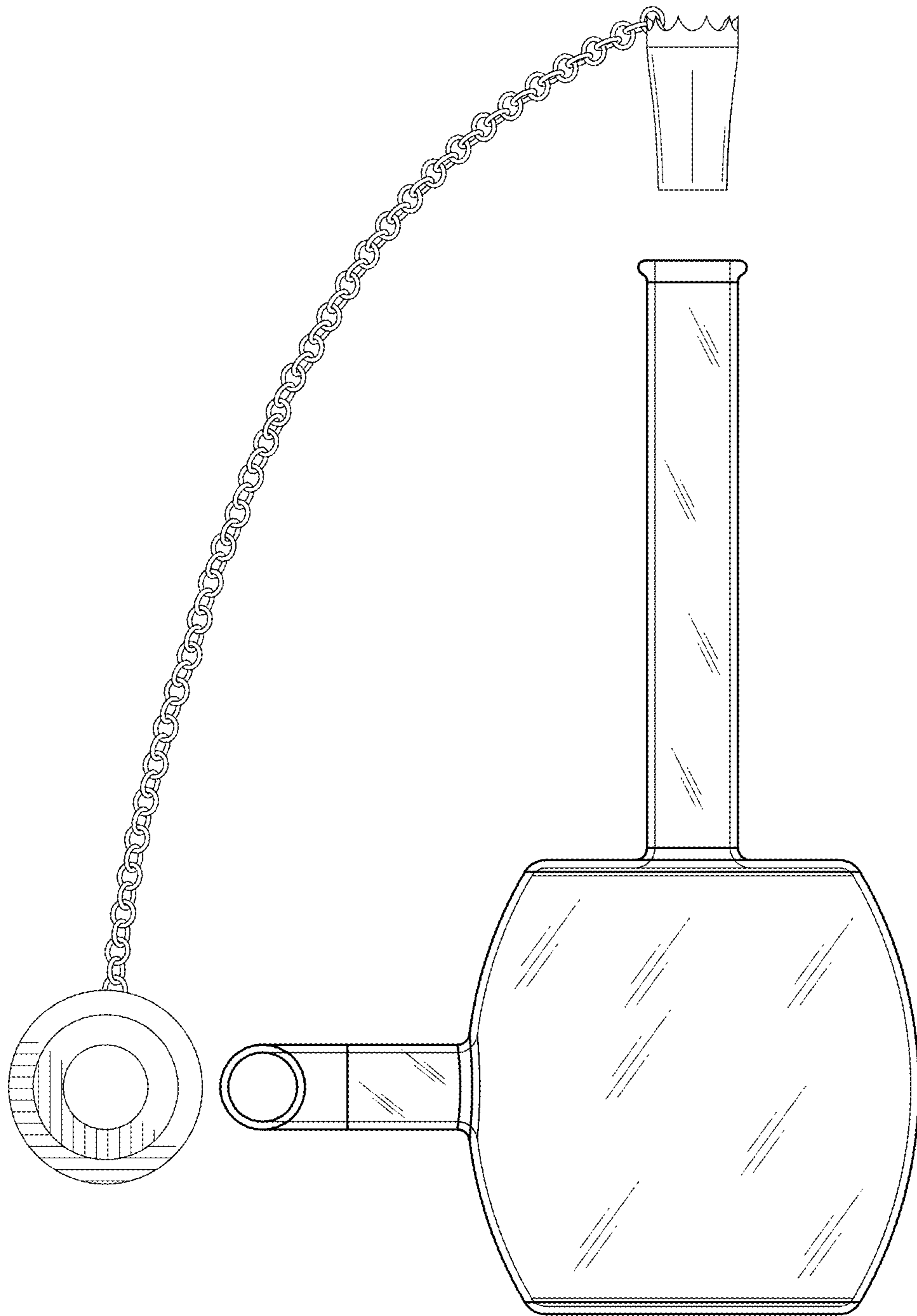


FIG. 8