



US00D972884S

(12) **United States Design Patent** (10) **Patent No.:** **US D972,884 S**  
**Barrett et al.** (45) **Date of Patent:** **\*\* Dec. 20, 2022**

(54) **LIQUID DISPENSING POD**

(71) Applicant: **OneBlade, Inc.**, Coral Gables, FL (US)

(72) Inventors: **Tod Barrett**, Golden, CO (US); **Gareth Brown**, Gardiner, NY (US); **Matthew L. Chin**, New York, NY (US); **Timothy James Elliott**, New York, NY (US); **Sam Bucciferro**, Seymour, CT (US)

(73) Assignee: **OneBlade, Inc.**, Coral Gables, FL (US)

(\*\*) Term: **15 Years**

(21) Appl. No.: **29/761,673**

(22) Filed: **Dec. 10, 2020**

(51) **LOC (13) Cl.** ..... **07-99**

(52) **U.S. Cl.**  
USPC ..... **D7/400**

(58) **Field of Classification Search**  
USPC ..... D7/392.1, 396.2, 396.6, 396.3, 213, 510,  
D7/511, 522, 523, 537, 602; D9/434,  
D9/435, 436, 440, 449, 454, 746, 424,  
D9/707, 501  
CPC .. A45F 3/16; B65D 41/56; B65D 3/24; B65D  
83/205; A47G 19/2272  
See application file for complete search history.

(56) **References Cited**

U.S. PATENT DOCUMENTS

D641,257 S	*	7/2011	Thiebaut	.....	D9/518
D756,772 S	*	5/2016	Wei	.....	D9/436
D767,386 S	*	9/2016	Escudero Prior	.....	D9/440
D772,005 S	*	11/2016	Bolzicco	.....	D7/400
D791,534 S	*	7/2017	Bueno	.....	D7/400

(Continued)

OTHER PUBLICATIONS

<https://www.onebladeshave.com/products/hot-lather-refill-pod?variant=36982996271161> (Year: 2021).\*

(Continued)

*Primary Examiner* — Jae Liang  
(74) *Attorney, Agent, or Firm* — Kowert, Hood, Munyon, Rankin & Goetzl, P.C.; Gareth M. Sampson; Dean M. Munyon

(57) **CLAIM**

The ornamental design for a liquid dispensing pod, as shown and described.

**DESCRIPTION**

FIG. 1 is a perspective front view of a liquid dispensing pod. FIG. 2 is a perspective bottom view of liquid dispensing pod of FIG. 1.

FIG. 3 is a front view of the liquid dispensing pod of FIG. 1.

FIG. 4 is a right side view of the liquid dispensing pod of FIG. 1.

FIG. 5 is a left side view of the liquid dispensing pod of FIG. 1.

FIG. 6 is a rear view of the liquid dispensing pod of FIG. 1.

FIG. 7 is a top view of the liquid dispensing pod of FIG. 1.

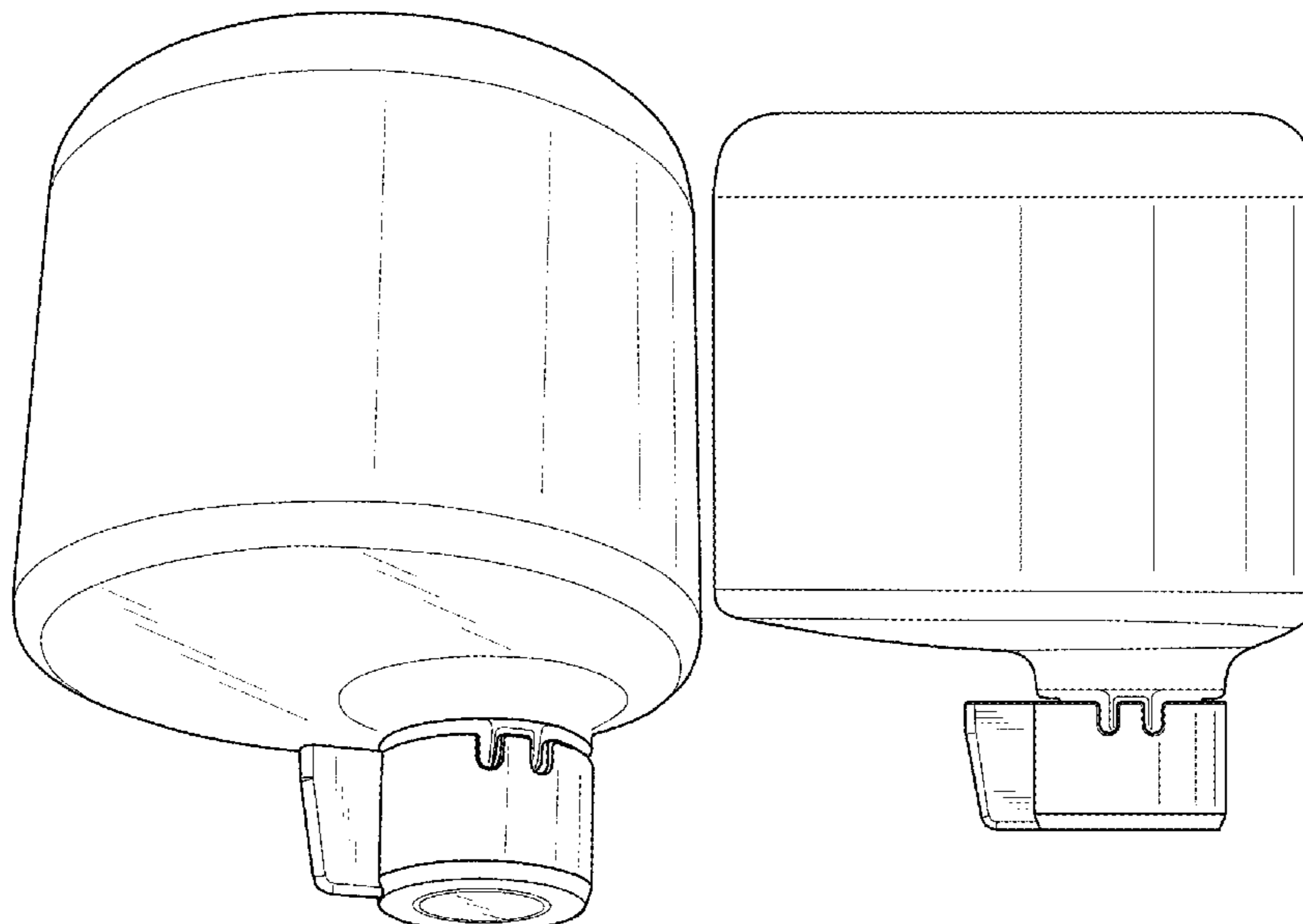
FIG. 8 is a bottom view of the liquid dispensing pod of FIG. 1.

FIG. 9 is an exploded perspective view of the liquid dispensing pod of FIG. 1 shown with a liquid dispensing device and a transparent cover; and,

FIG. 10 is a perspective view of the liquid dispensing pod, liquid dispensing device, and transparent cover of FIG. 9 shown assembled with the transparent cover over the liquid dispensing pod.

The broken lines in FIGS. 9 and 10 showing the liquid dispensing device and the transparent cover depict environmental subject matter and/or boundaries and form no part of the claimed design.

**1 Claim, 7 Drawing Sheets**



(56)

**References Cited**

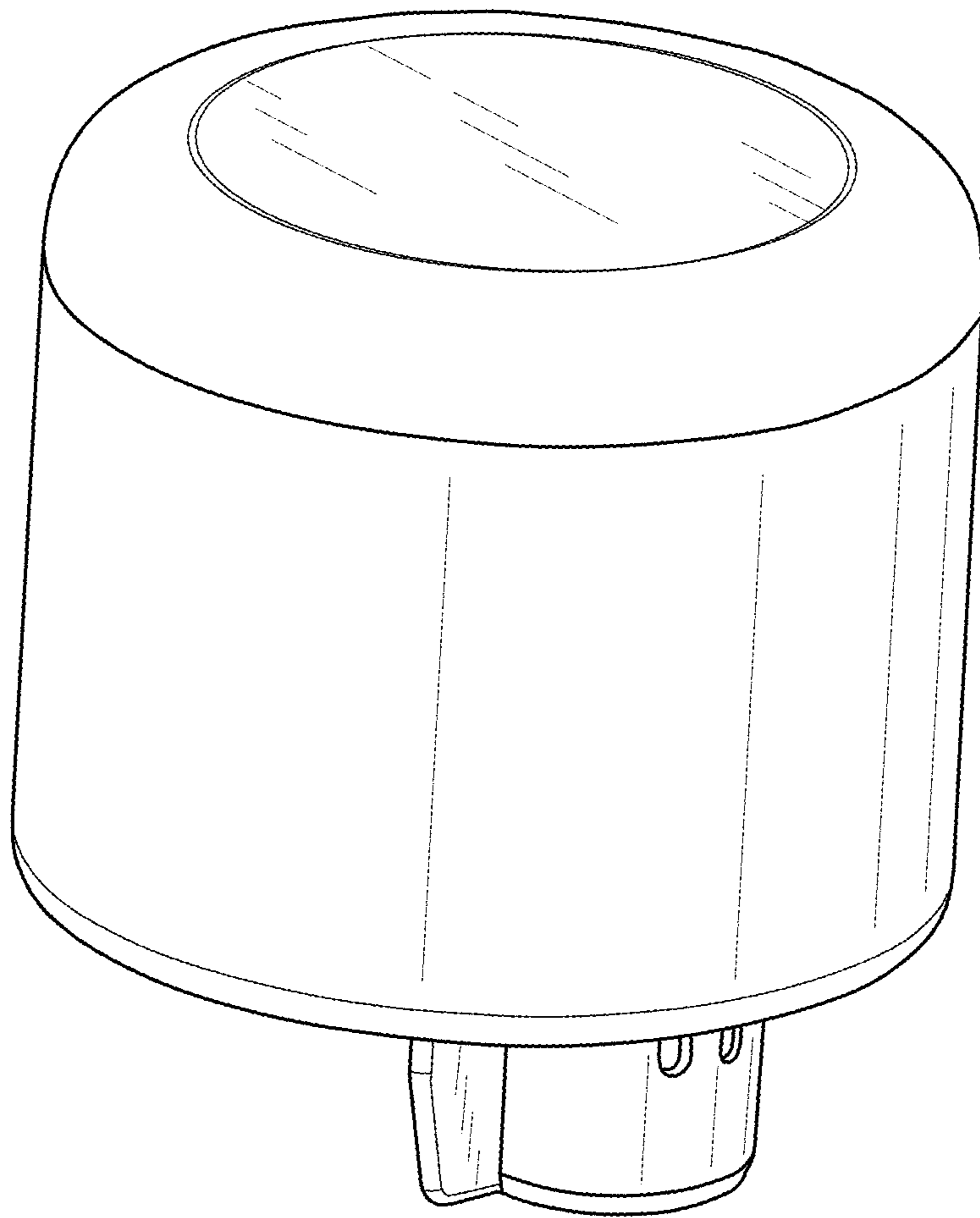
U.S. PATENT DOCUMENTS

D799,963 S \* 10/2017 Akiyama ..... D9/454  
D835,937 S \* 12/2018 Nichols ..... D7/392.1  
D836,389 S \* 12/2018 Abante ..... D7/392.1  
D843,204 S \* 3/2019 Raphaelson ..... D7/400  
D871,133 S \* 12/2019 Bullock ..... D7/392.1  
D879,551 S \* 3/2020 Byrd ..... D7/392.1  
D884,420 S \* 5/2020 McLean ..... D7/400  
D895,421 S \* 9/2020 Laible ..... D9/436  
D906,805 S \* 1/2021 Guduru ..... D9/439  
D914,497 S \* 3/2021 Castle ..... D9/436  
D927,304 S \* 8/2021 Lingle ..... D9/454  
D941,145 S \* 1/2022 Wang ..... D9/454  
2019/0047773 A1 \* 2/2019 Bullock ..... A47J 41/0027

OTHER PUBLICATIONS

Feliway Ceva Animal Health Multicat Feliway Refill [https://www.amazon.com/dp/B072PCLQDK/ref=cm\\_sw\\_em\\_r\\_mt\\_dp\\_X9GJMV998MRERK79S7K7](https://www.amazon.com/dp/B072PCLQDK/ref=cm_sw_em_r_mt_dp_X9GJMV998MRERK79S7K7) (Year: 2017).\*

\* cited by examiner



*FIG. 1*

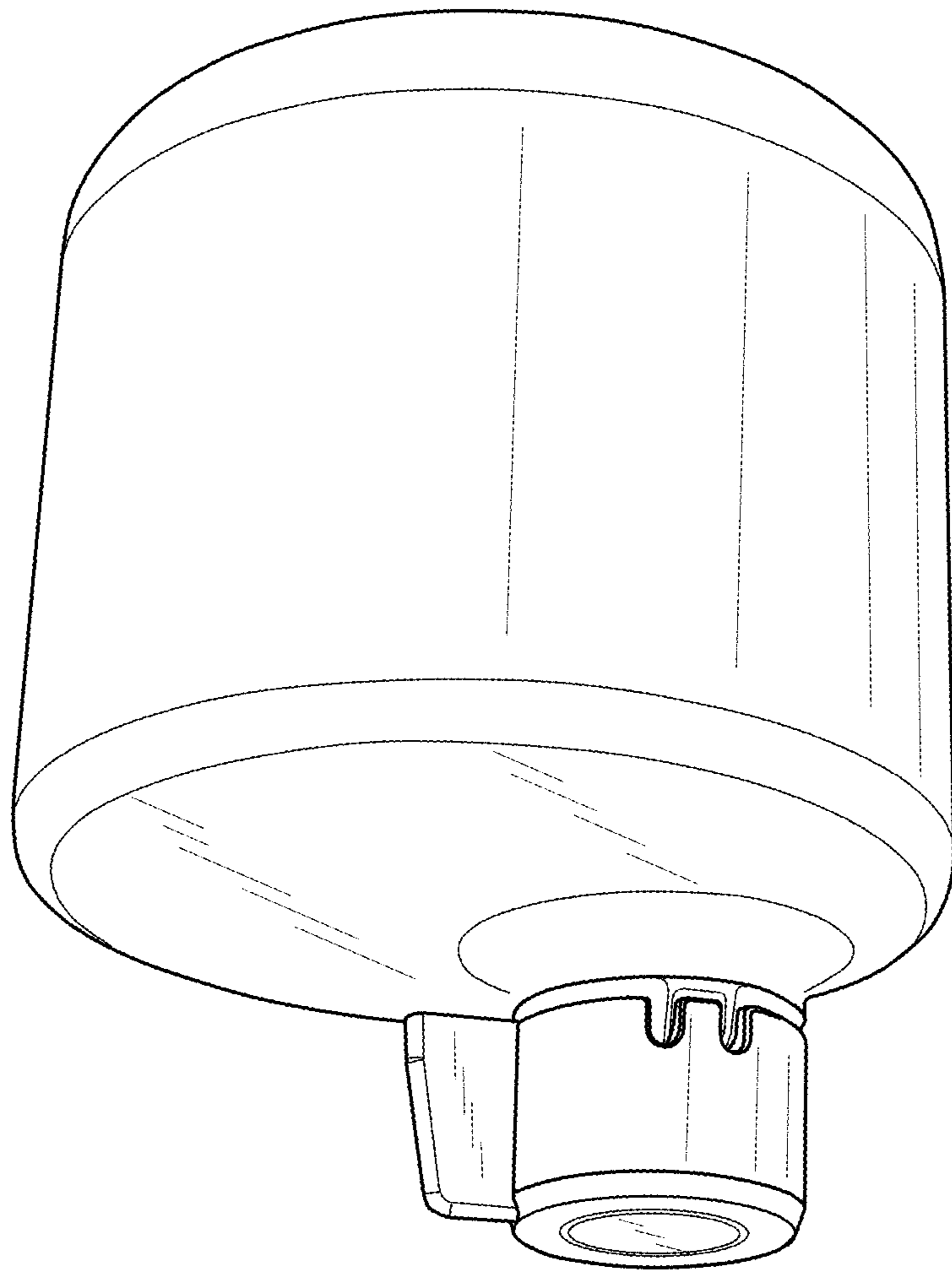


FIG. 2

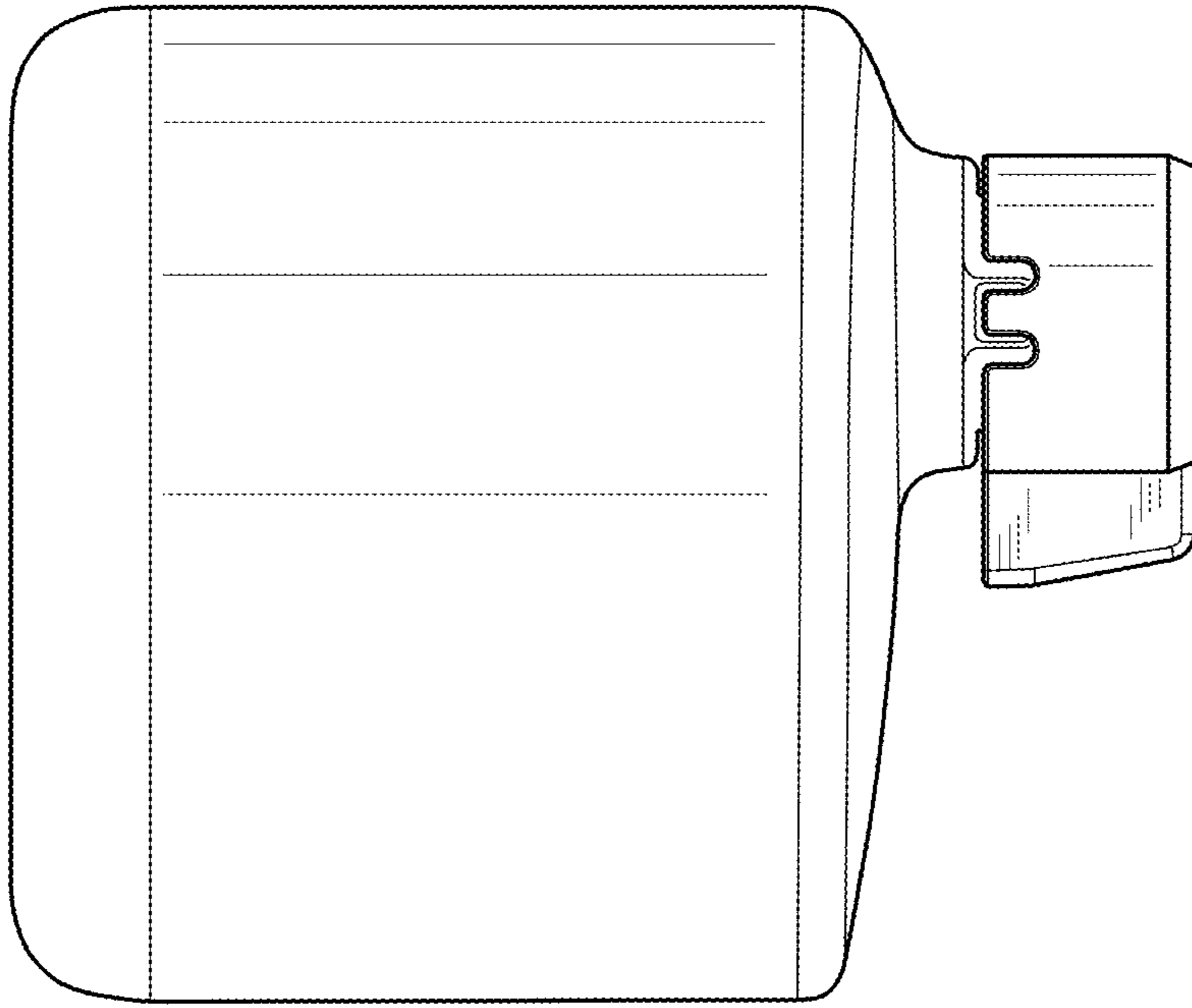


FIG. 4

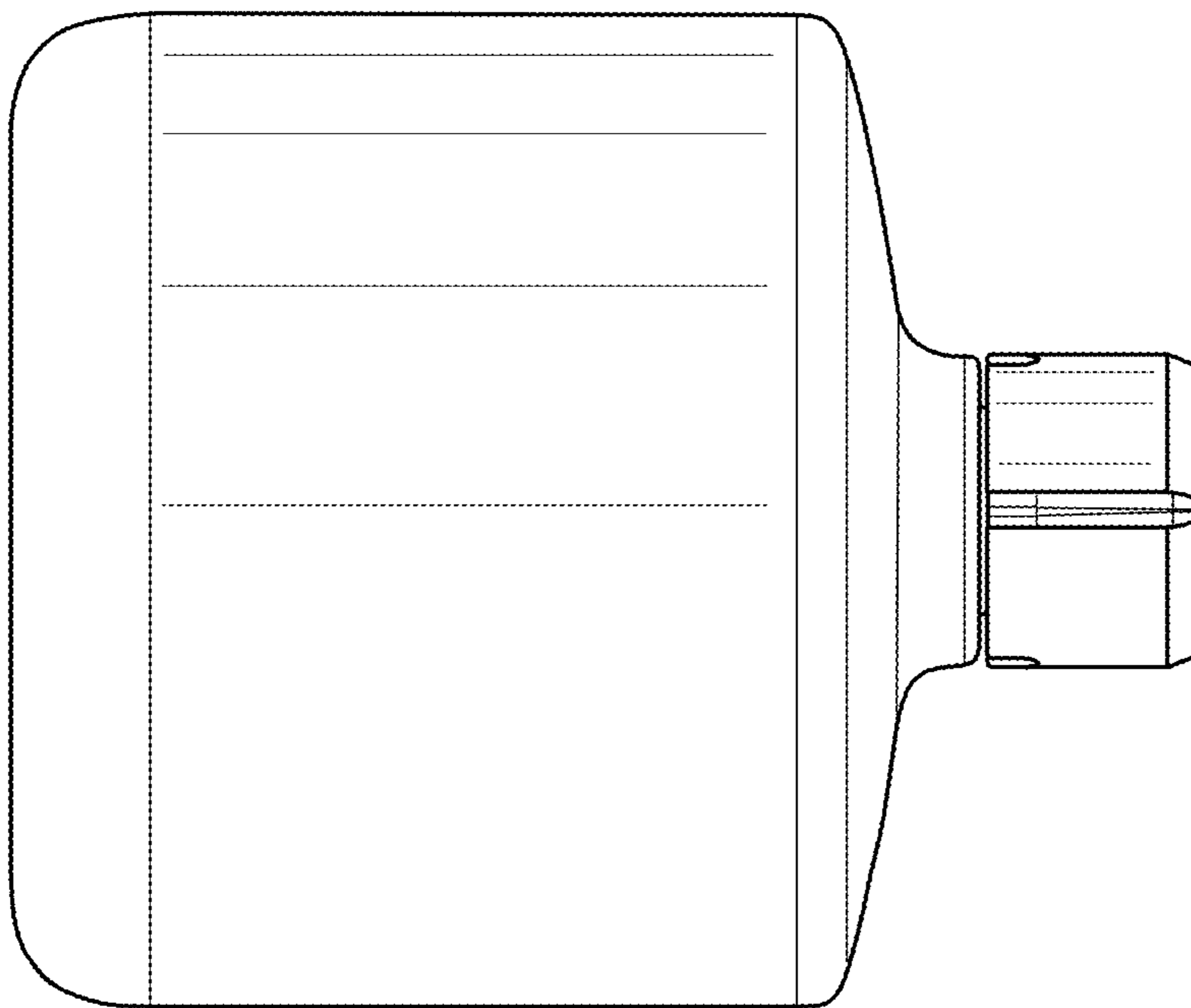


FIG. 3

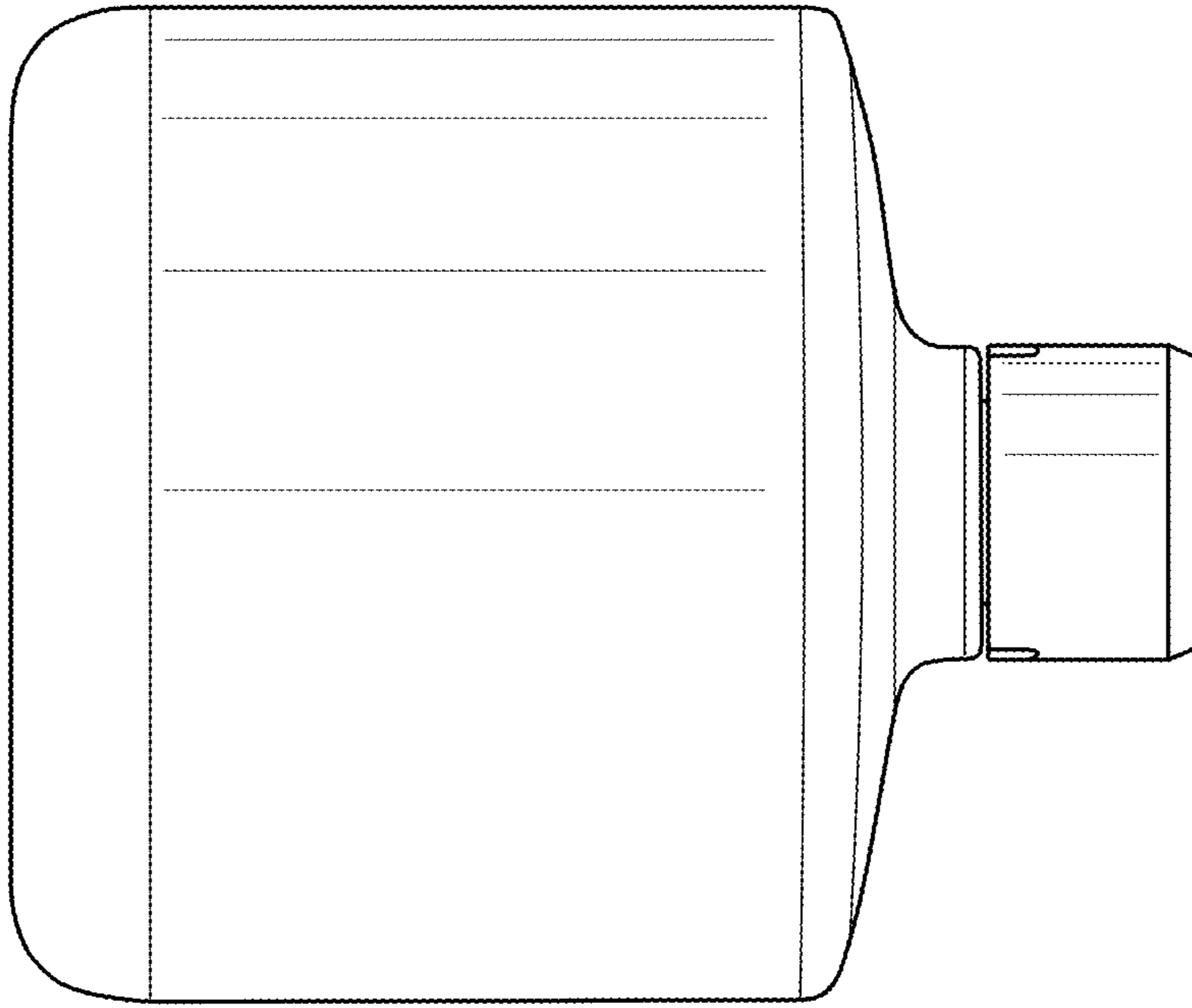


FIG. 5

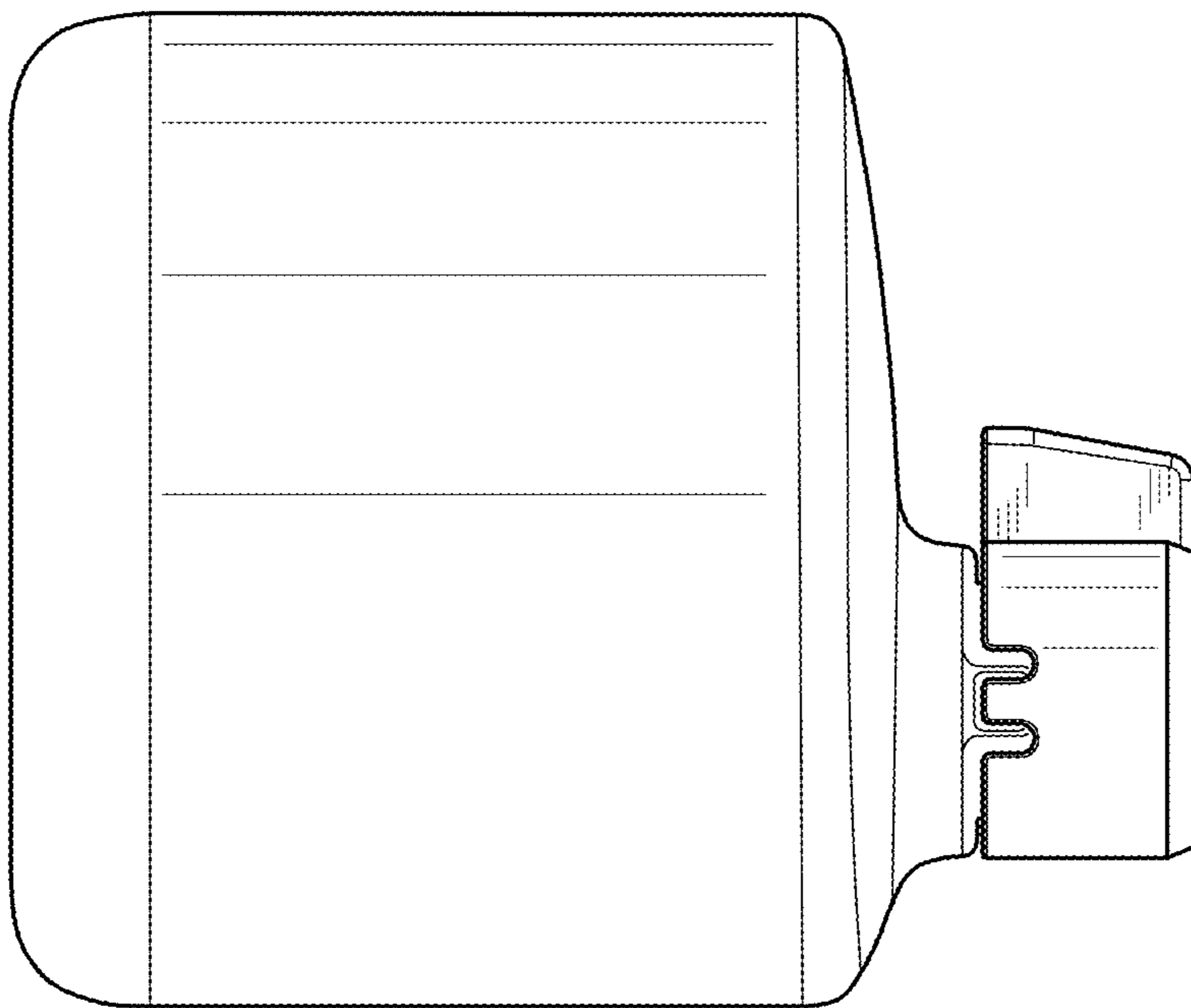


FIG. 6

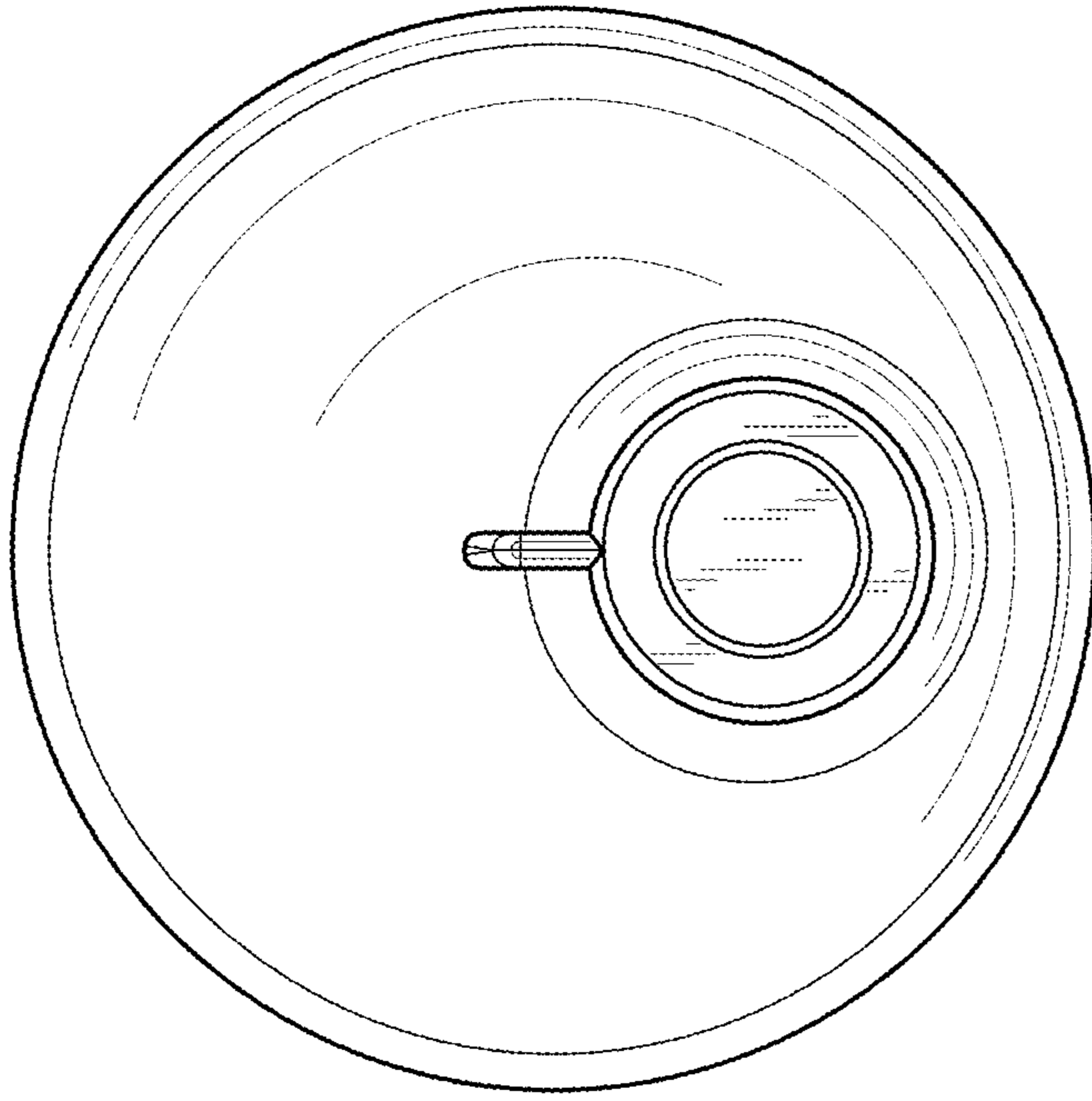


FIG. 8

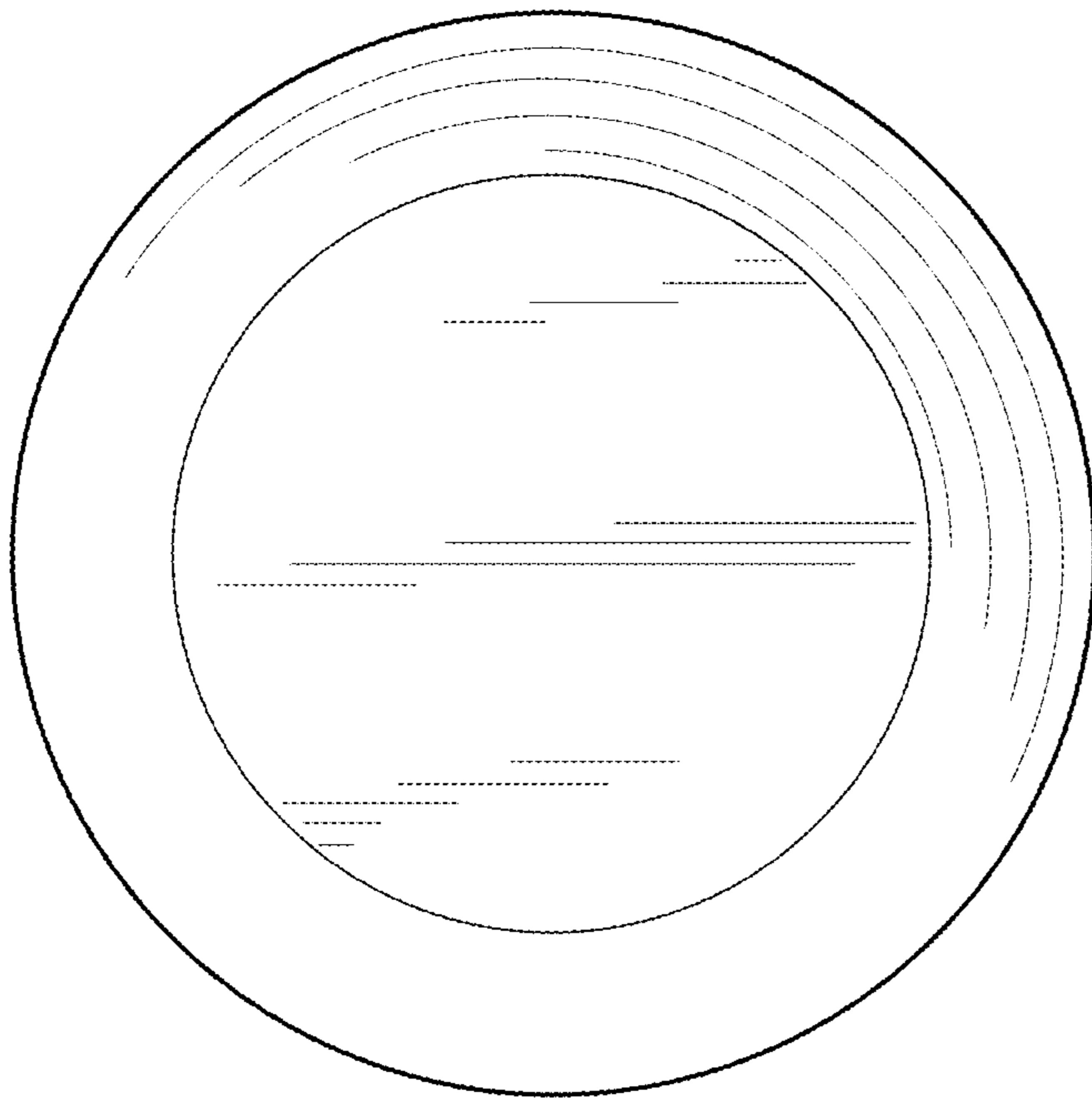


FIG. 7

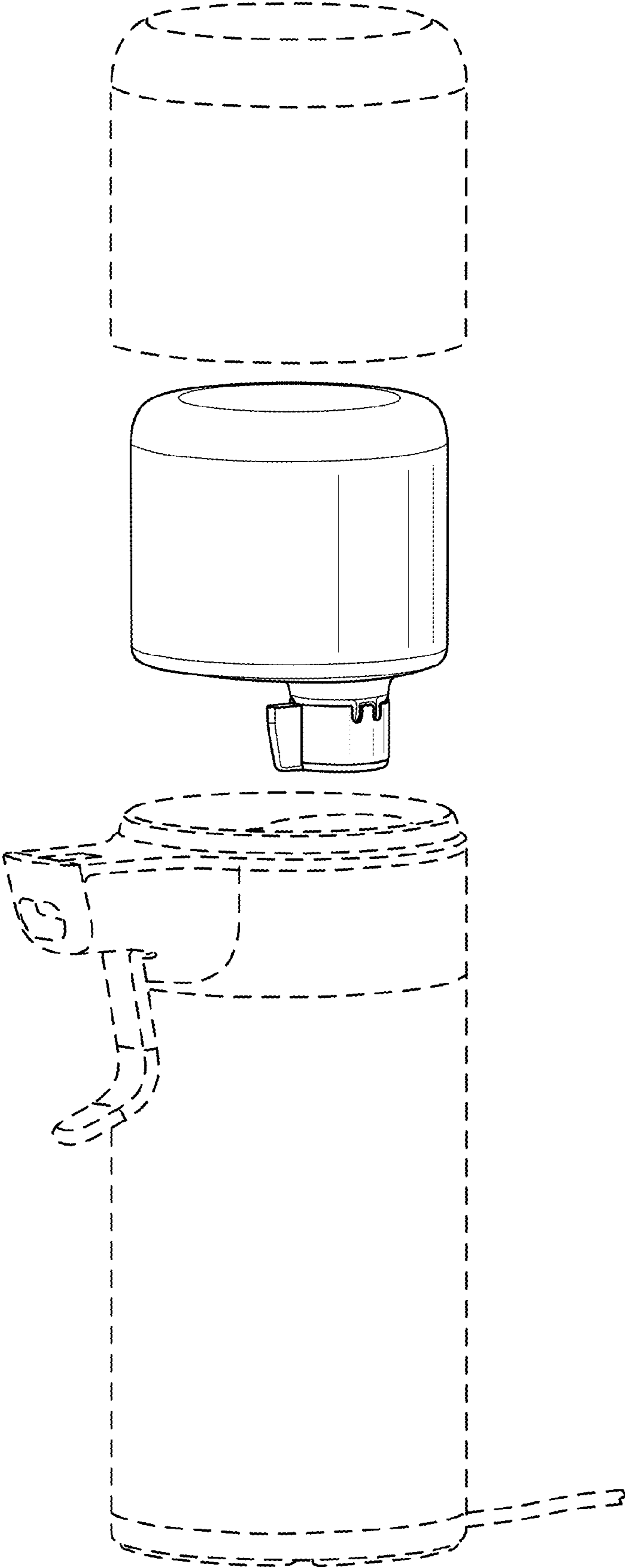


FIG. 9



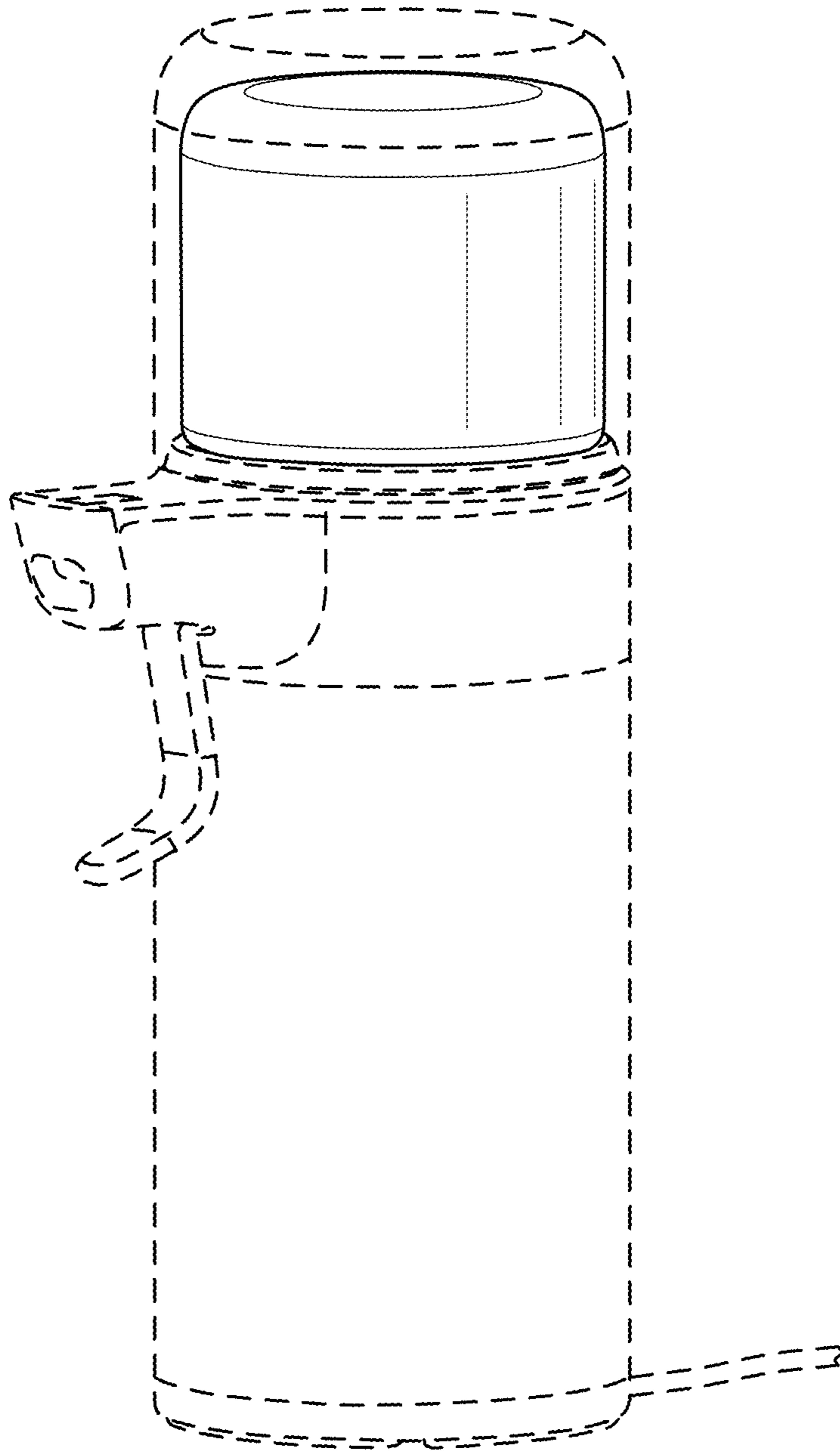


FIG. 10