



US00D972883S

(12) **United States Design Patent**
McClure

(10) **Patent No.:** **US D972,883 S**

(45) **Date of Patent:** **** Dec. 20, 2022**

(54) **ALCOHOL FILTER**

(71) Applicant: **Alexander McClure**, Fairfax, VA (US)

(72) Inventor: **Alexander McClure**, Fairfax, VA (US)

(**) Term: **15 Years**

(21) Appl. No.: **29/774,494**

(22) Filed: **Mar. 17, 2021**

(51) **LOC (13) Cl.** **07-06**

(52) **U.S. Cl.**
USPC **D7/397**

(58) **Field of Classification Search**
USPC D7/397, 398, 399, 400, 412, 415, 213;
D23/205, 207, 209, 363; D9/516, 549
CPC ... B01D 35/02; A45F 2003/163; B21D 51/18;
B21D 51/24
See application file for complete search history.

(56) **References Cited**

U.S. PATENT DOCUMENTS

D307,933 S *	5/1990	Baer	D23/209
D311,570 S *	10/1990	Woodruff	D23/209
D311,768 S *	10/1990	Woodruff	D23/209
D696,945 S *	1/2014	Newman	D9/500
D758,526 S *	6/2016	Quail	D24/224
D805,621 S *	12/2017	Williams	D23/355
D894,320 S *	8/2020	Burrow	D22/116
D913,416 S *	3/2021	Qiang	D23/209
D919,043 S *	5/2021	Yin	D23/209

D930,110 S *	9/2021	Lu	D23/209
D939,044 S *	12/2021	Liqin	D23/209
D947,191 S *	3/2022	Kamiyama	D14/411
D948,661 S *	4/2022	Zou	D23/209
D951,393 S *	5/2022	Wei	D23/209

* cited by examiner

Primary Examiner — Andrew Kerr

(74) *Attorney, Agent, or Firm* — Barry Choobin; Patent 360

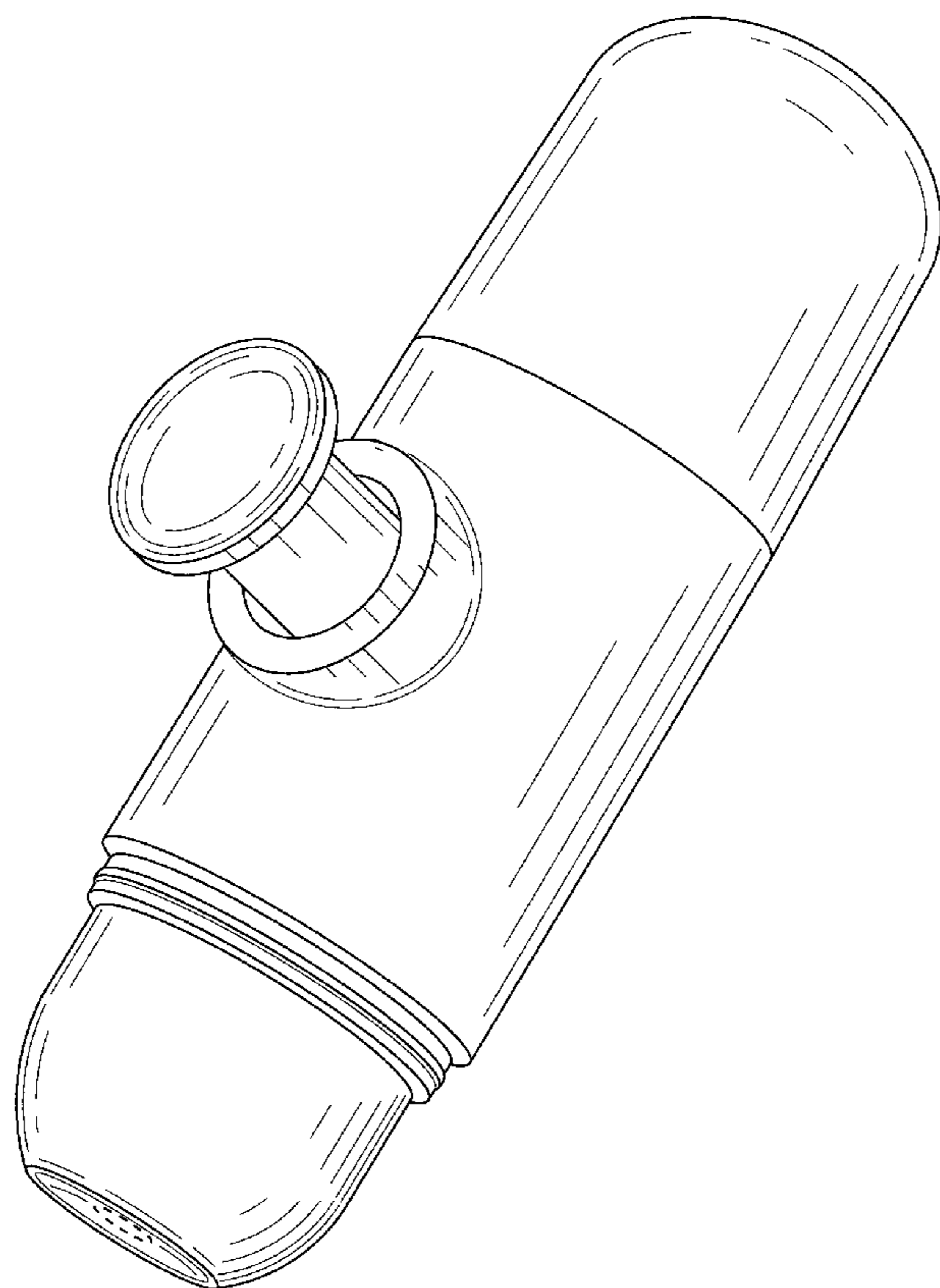
(57) **CLAIM**

The ornamental design for an alcohol filter, as shown and described.

DESCRIPTION

FIG. 1 is a perspective view of an alcohol filter, showing my new design;
FIG. 2 is a front view thereof;
FIG. 3 is a rear view thereof;
FIG. 4 is a right-side view thereof;
FIG. 5 is a left-side view thereof;
FIG. 6 is a top view thereof; and,
FIG. 7 is a bottom view thereof.
The broken lines in the drawings depict portions of the alcohol filter that form no part of the claimed design.

1 Claim, 7 Drawing Sheets



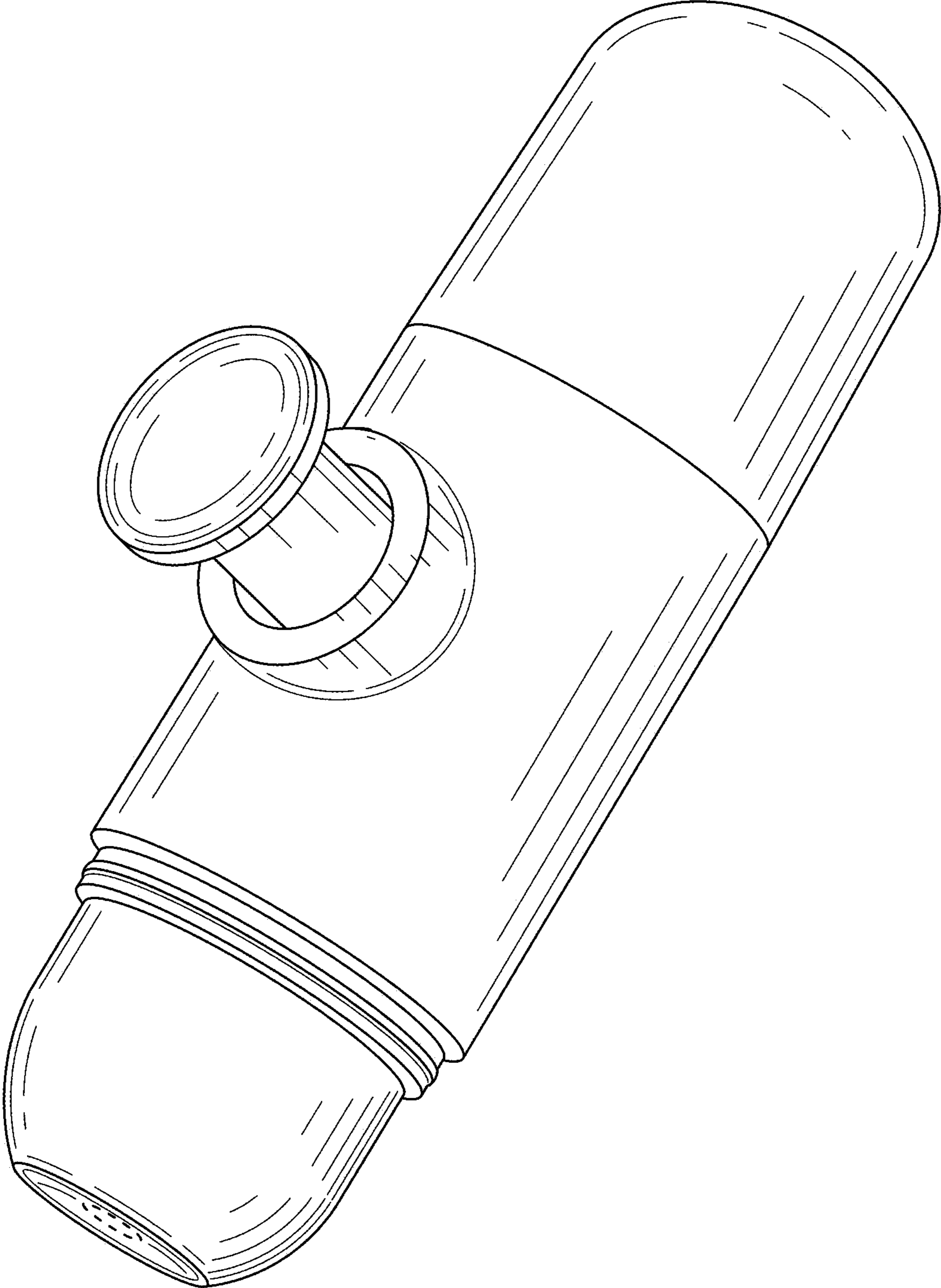


FIG. 1

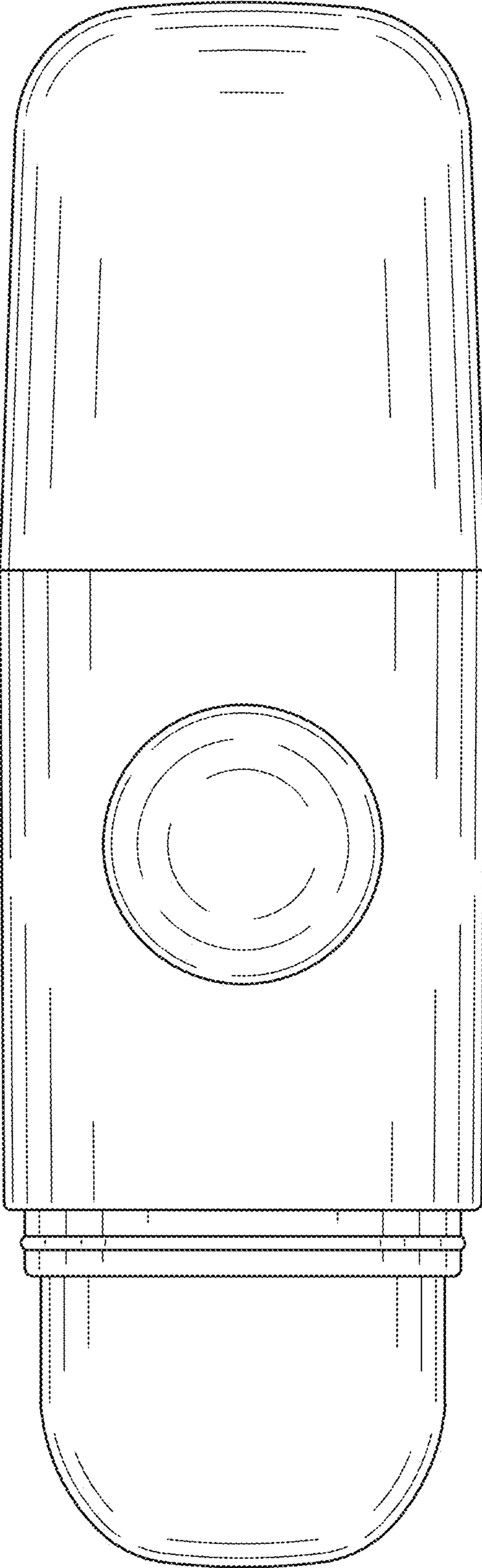


FIG. 2

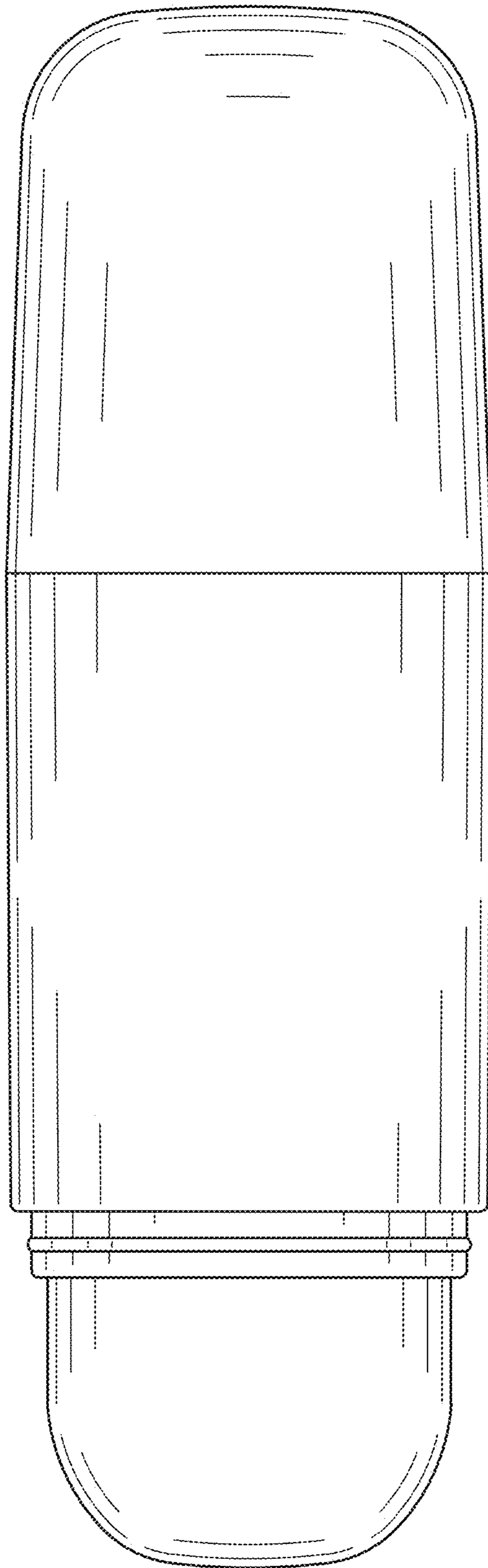


FIG. 3

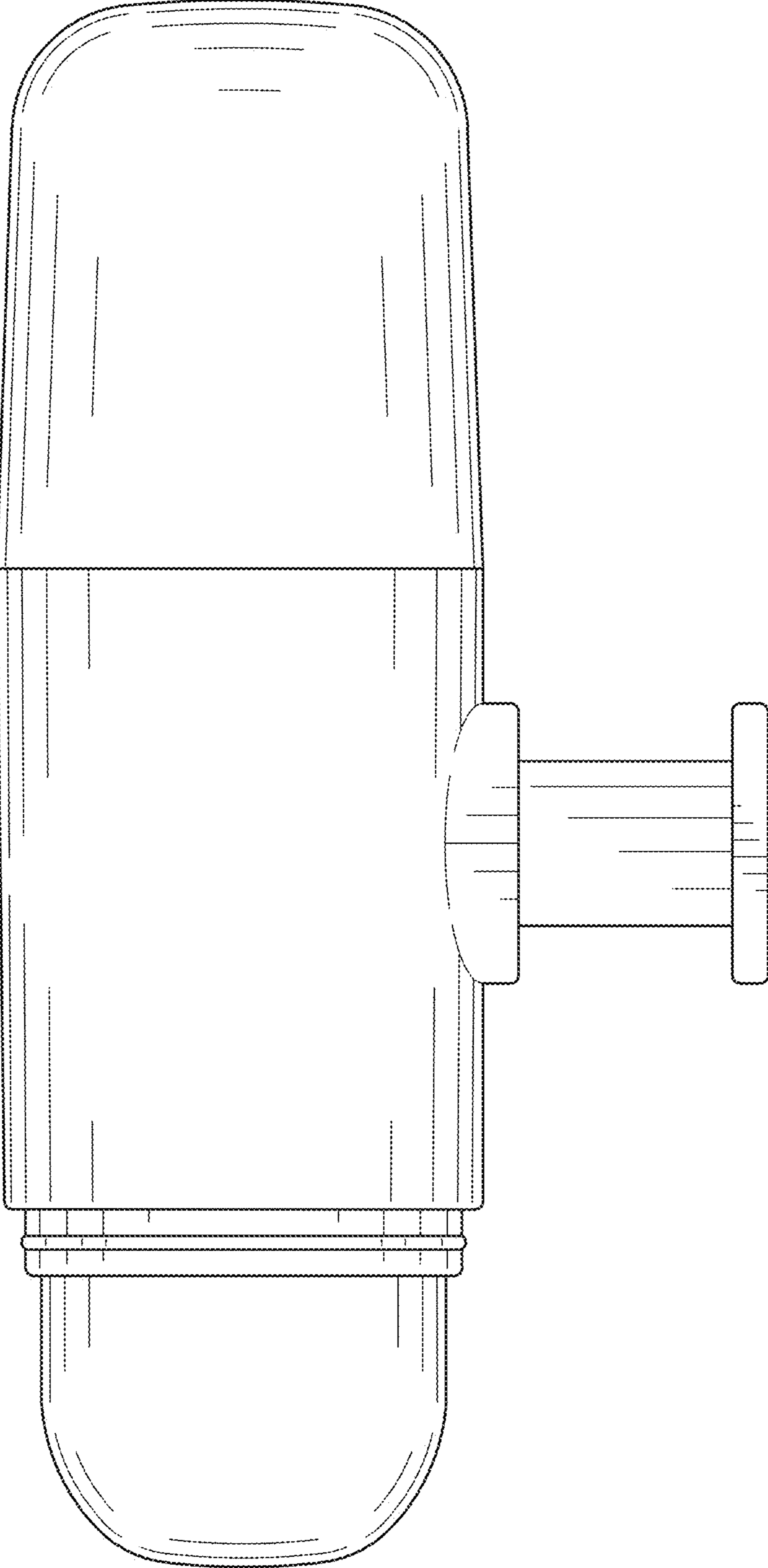


FIG. 4

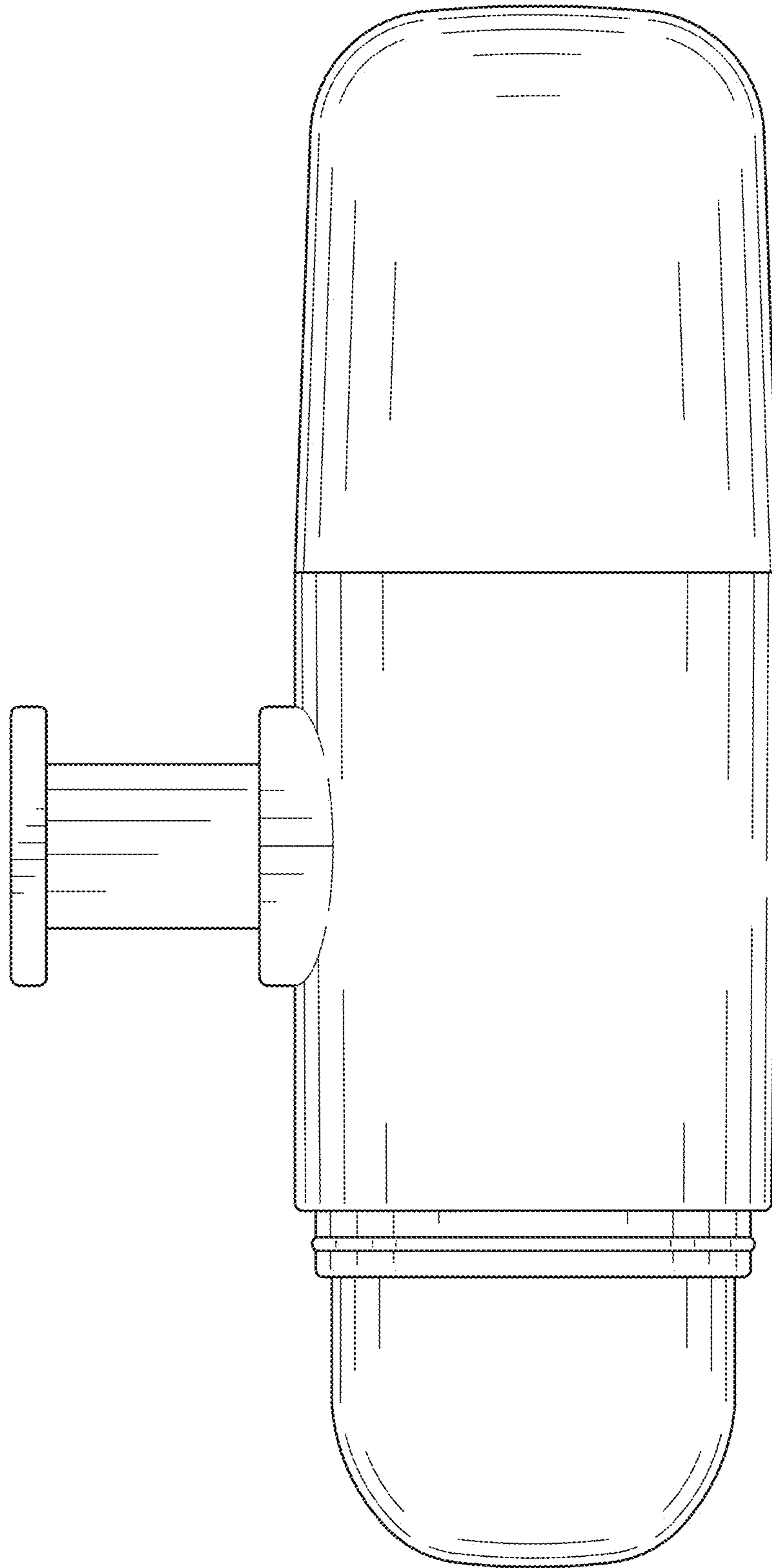


FIG. 5

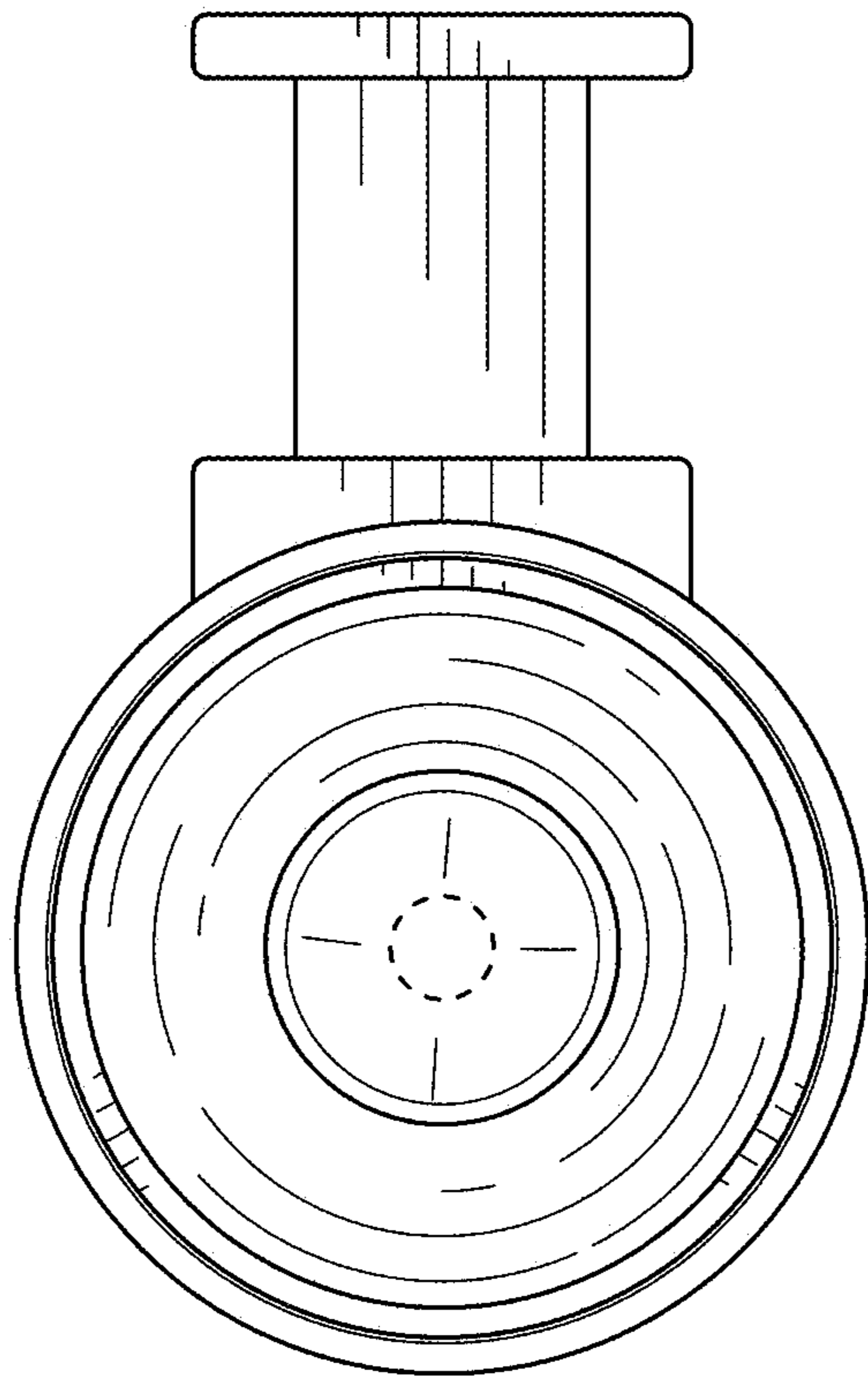


FIG. 6

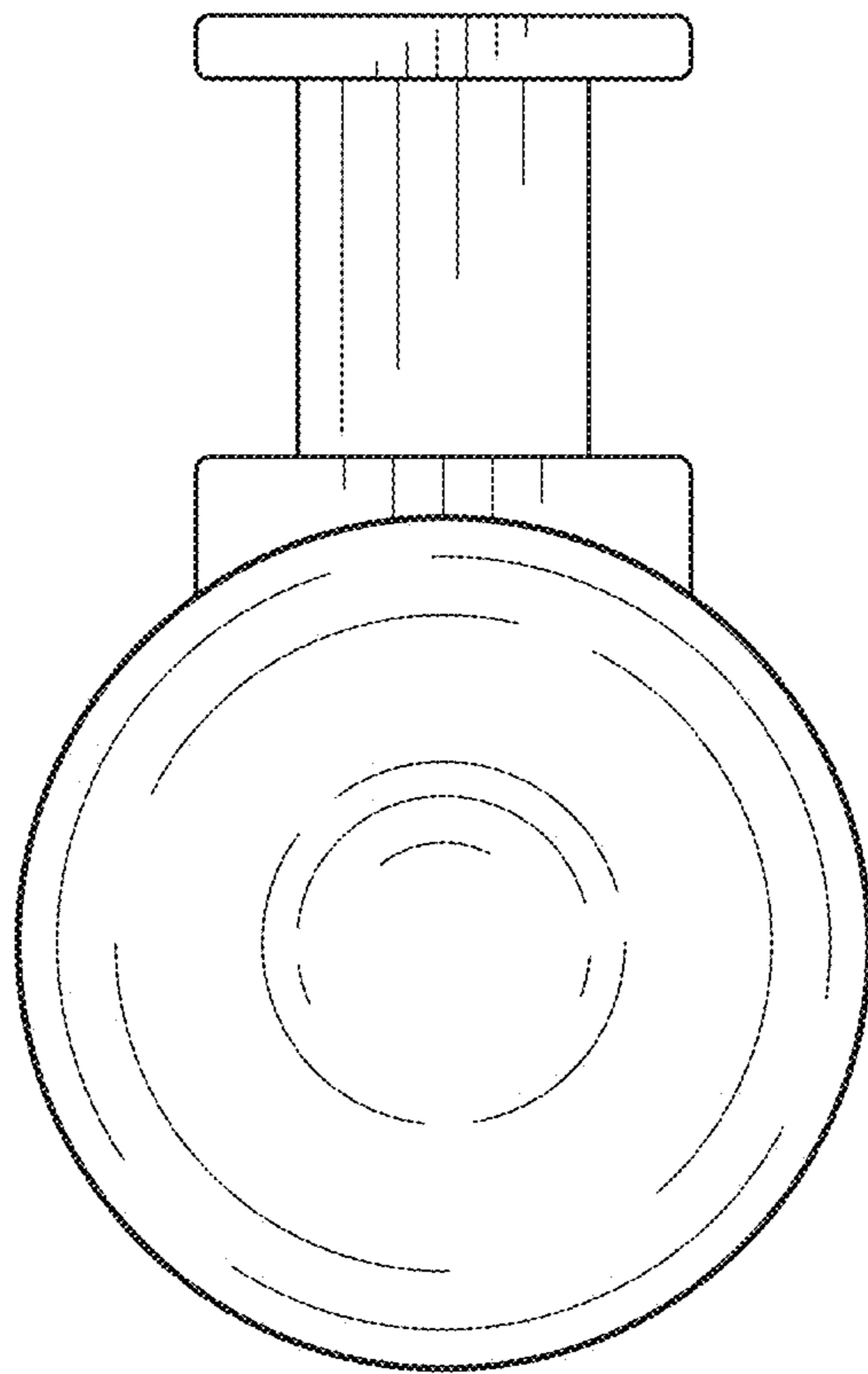


FIG. 7