

US00D972882S

(12) **United States Design Patent**
Johnson

(10) **Patent No.:** **US D972,882 S**
(45) **Date of Patent:** **** Dec. 20, 2022**

(54) **DISPOSABLE MICROWAVE OVEN FOOD COVER WITH VENTS**

6,803,552 B1 10/2004 Irizarry et al.
7,244,915 B2 7/2007 Wright
7,326,895 B1 2/2008 Henderson

(Continued)

(71) Applicant: **Ronald Johnson**, Everett, WA (US)

(72) Inventor: **Ronald Johnson**, Everett, WA (US)

(**) Term: **15 Years**

(21) Appl. No.: **29/848,637**

(22) Filed: **Aug. 4, 2022**

Related U.S. Application Data

(63) Continuation-in-part of application No. 29/724,138, filed on Feb. 12, 2020, now Pat. No. Des. 962,696.

(51) **LOC (13) Cl.** **07-02**

(52) **U.S. Cl.**
USPC **D7/391**

(58) **Field of Classification Search**
USPC D7/323, 354–363, 391, 393–396, 402, D7/409, 542, 543, 587

CPC A47G 19/12; A47J 27/00; A47J 27/002; A47J 27/08; A47J 27/21; A47J 27/58; A47J 36/025; A47J 36/06; A47J 36/12; A47J 37/00; A47J 37/10; A47J 37/101; A47J 37/103; A47J 37/12; A47J 37/1204; A47J 45/061; A47J 45/071; A47J 45/08; H05B 6/12

See application file for complete search history.

(56) **References Cited**

U.S. PATENT DOCUMENTS

D148,891 S 3/1948 Suman
4,721,140 A 1/1988 Coker
4,801,773 A 1/1989 Hanlon
4,891,482 A 1/1990 Jaegar et al.
5,311,813 A 5/1994 Fairbanks et al.
6,499,411 B2* 12/2002 Brown E04H 15/02
108/26

OTHER PUBLICATIONS

MMUGOOLER Microwave Easy Bacon Maker/Cooker with Lid. Date First Available on Amazon.com May 20, 2022. <https://www.amazon.com/dp/B0BITYPHHD/ref> (Year: 2022).*

Primary Examiner — Ricky Pham

(74) *Attorney, Agent, or Firm* — Houda El-Jarrah; Bold IP, PLLC

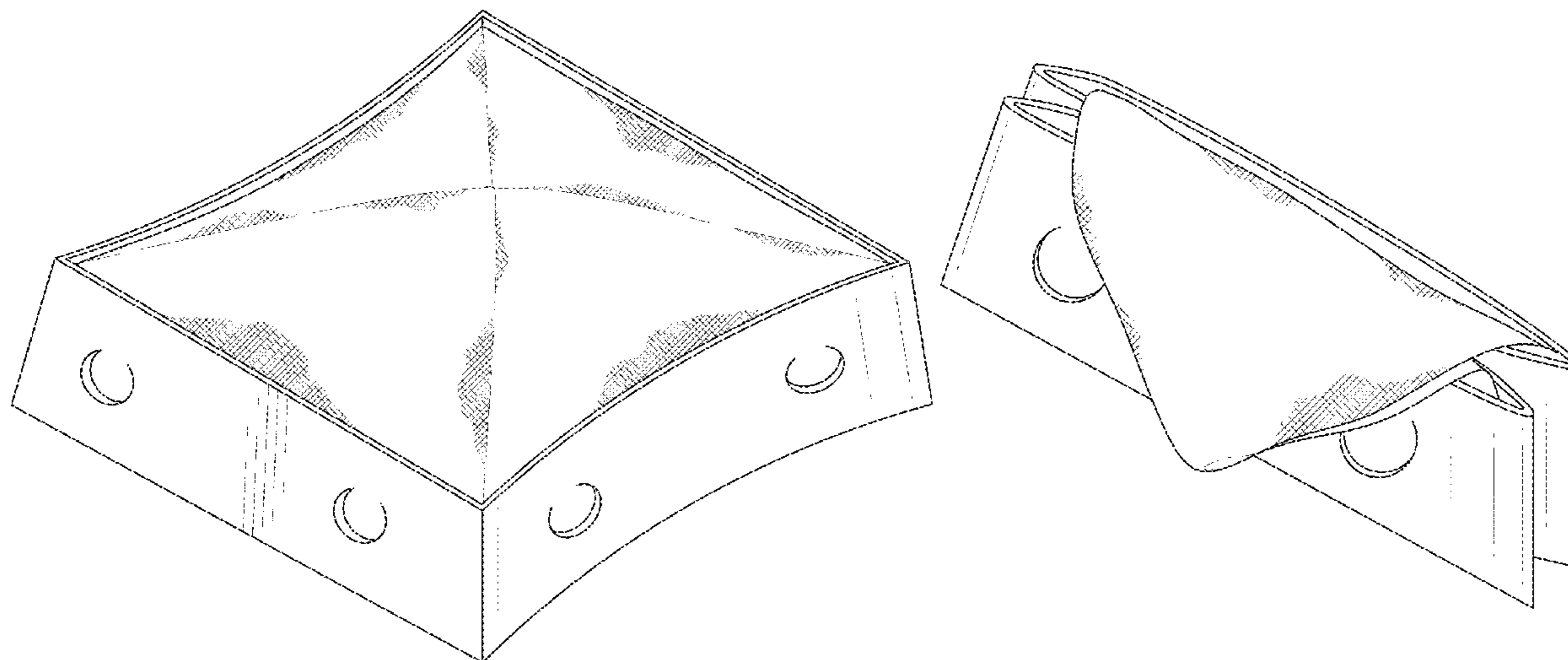
(57) **CLAIM**

The ornamental design for a disposable microwave oven food cover with vents, as shown and as described.

DESCRIPTION

FIG. 1 is a front perspective view of a disposable microwave oven food cover with vents showing my new design; FIG. 2 is right side view thereof; FIG. 3 is a left side view thereof; FIG. 4 is a top view thereof; FIG. 5 is a bottom view thereof; FIG. 6 is a front perspective view of the disposable microwave oven food cover with vents as shown in FIG. 1 in a folded configuration; FIG. 7 is a front view thereof in a folded configuration; FIG. 8 is a rear view thereof in a folded configuration; FIG. 9 is a side view therefor in a folded configuration where the opposite side is a mirror image; FIG. 10 is a top view thereof in a folded configuration; and, FIG. 11 is a bottom view thereof in a folded configuration. The broken lines included in the Figures illustrate environmental structure and form no part of the claimed design.

1 Claim, 11 Drawing Sheets



(56)

References Cited

U.S. PATENT DOCUMENTS

7,414,229	B2	8/2008	Hellmann et al.	
7,586,068	B2	9/2009	Shaw et al.	
7,717,285	B2	5/2010	Price	
D618,514	S	6/2010	Wolhendler	
7,820,952	B2	10/2010	Gomez	
D636,230	S	4/2011	Konnecke	
D656,790	S	4/2012	Clarichetti et al.	
D670,136	S *	11/2012	Williams	D7/584
D675,064	S *	1/2013	Mayer	D7/587
8,899,253	B1	12/2014	Watson et al.	
D749,895	S	2/2016	Williams	
9,655,471	B2	5/2017	Zaczyk	
9,674,902	B2	6/2017	Farah	
D842,029	S	3/2019	Barber	
D883,734	S	5/2020	Zemel	
D890,467	S	7/2020	Booth	
D962,696	S *	9/2022	Johnson	D7/391
2003/0205575	A1	11/2003	DeWinter	
2004/0217113	A1	11/2004	Dancu	
2009/0321431	A1	12/2009	Frag et al.	
2013/0153596	A1	6/2013	Taylor	

* cited by examiner

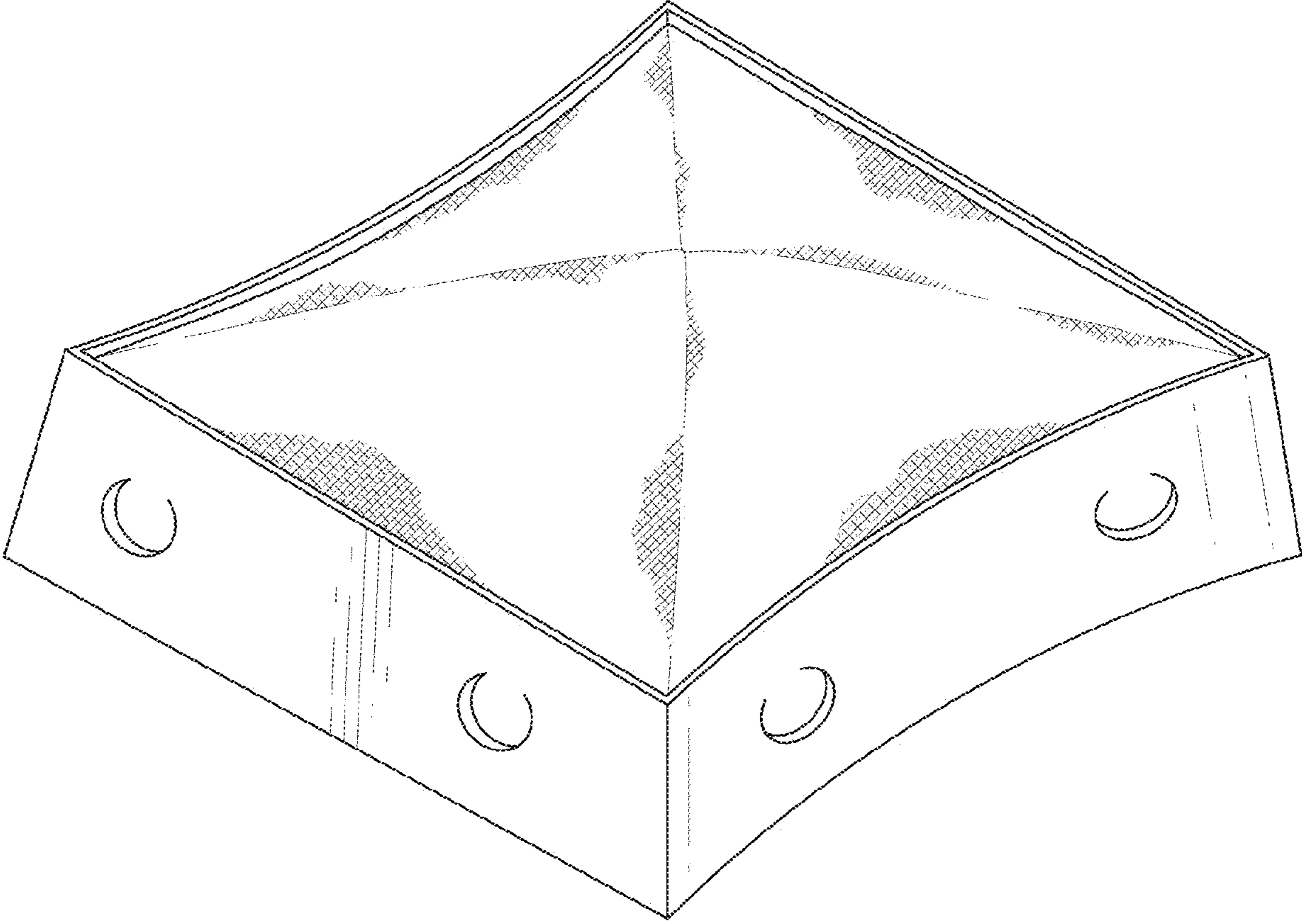


FIG. 1

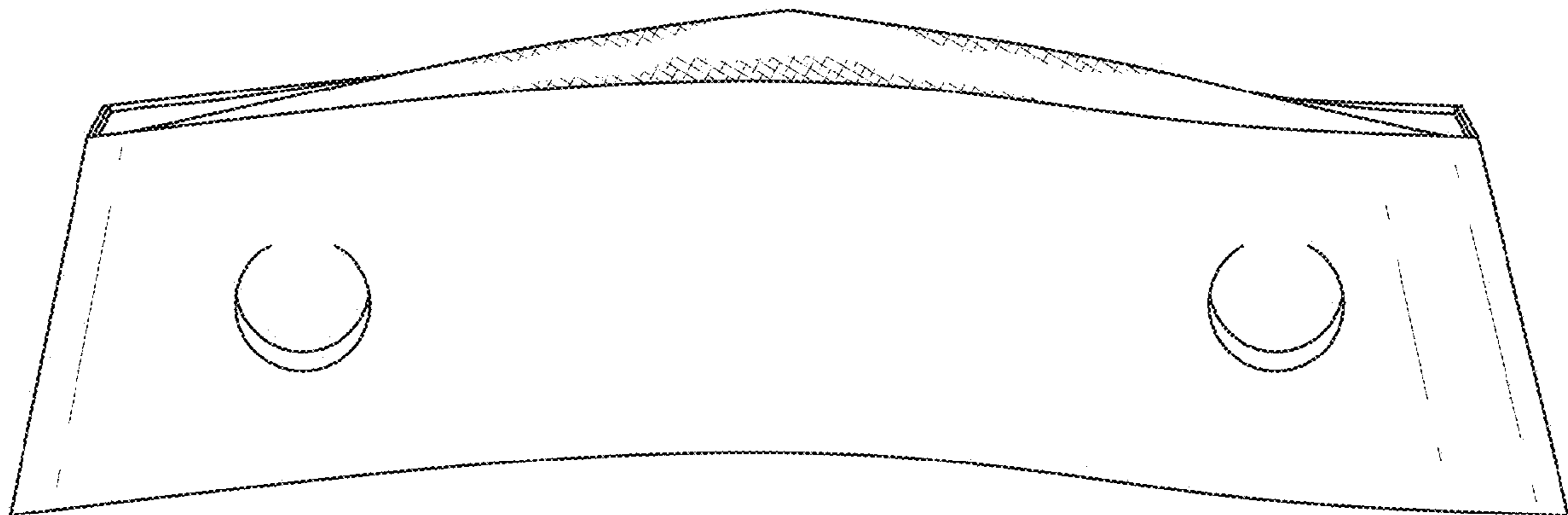


FIG. 2

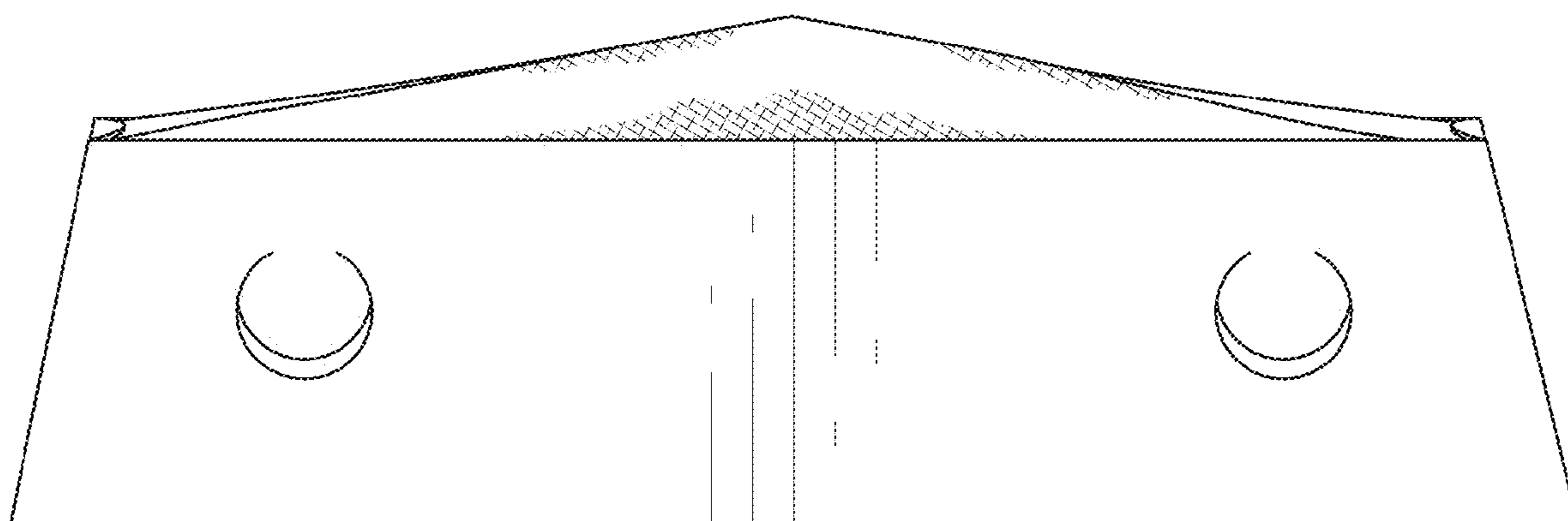


FIG. 3

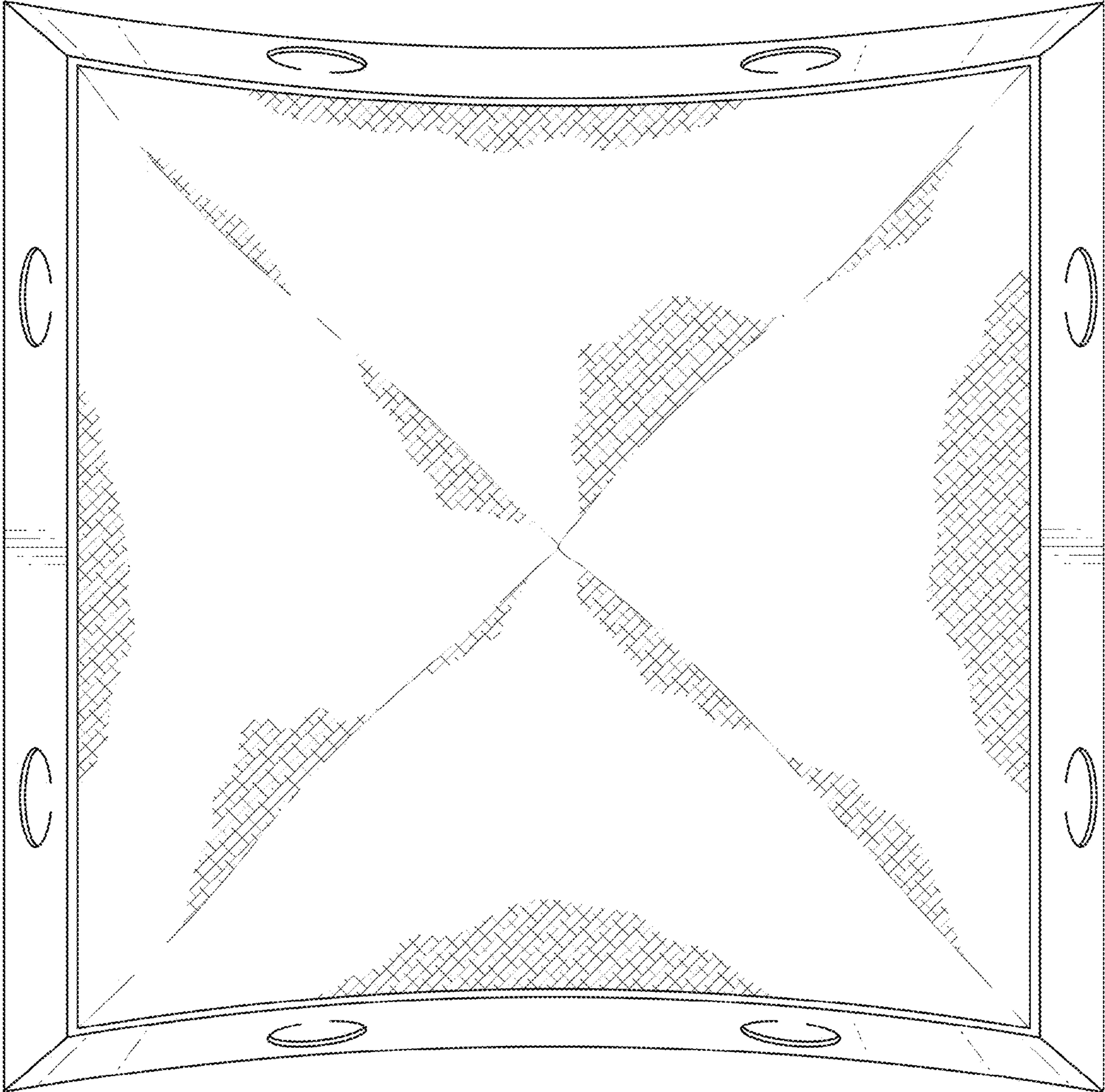


FIG. 4

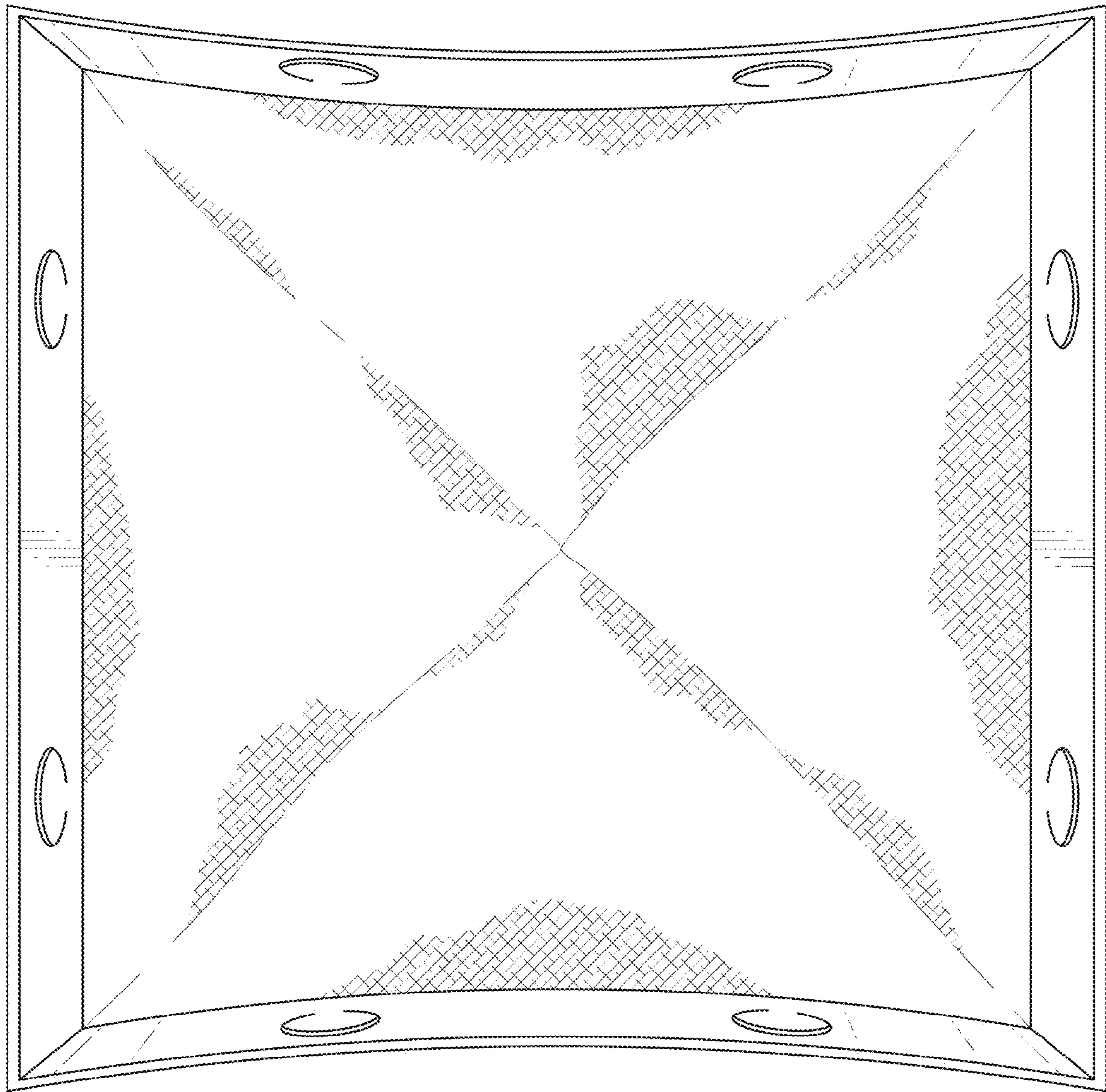


FIG. 5

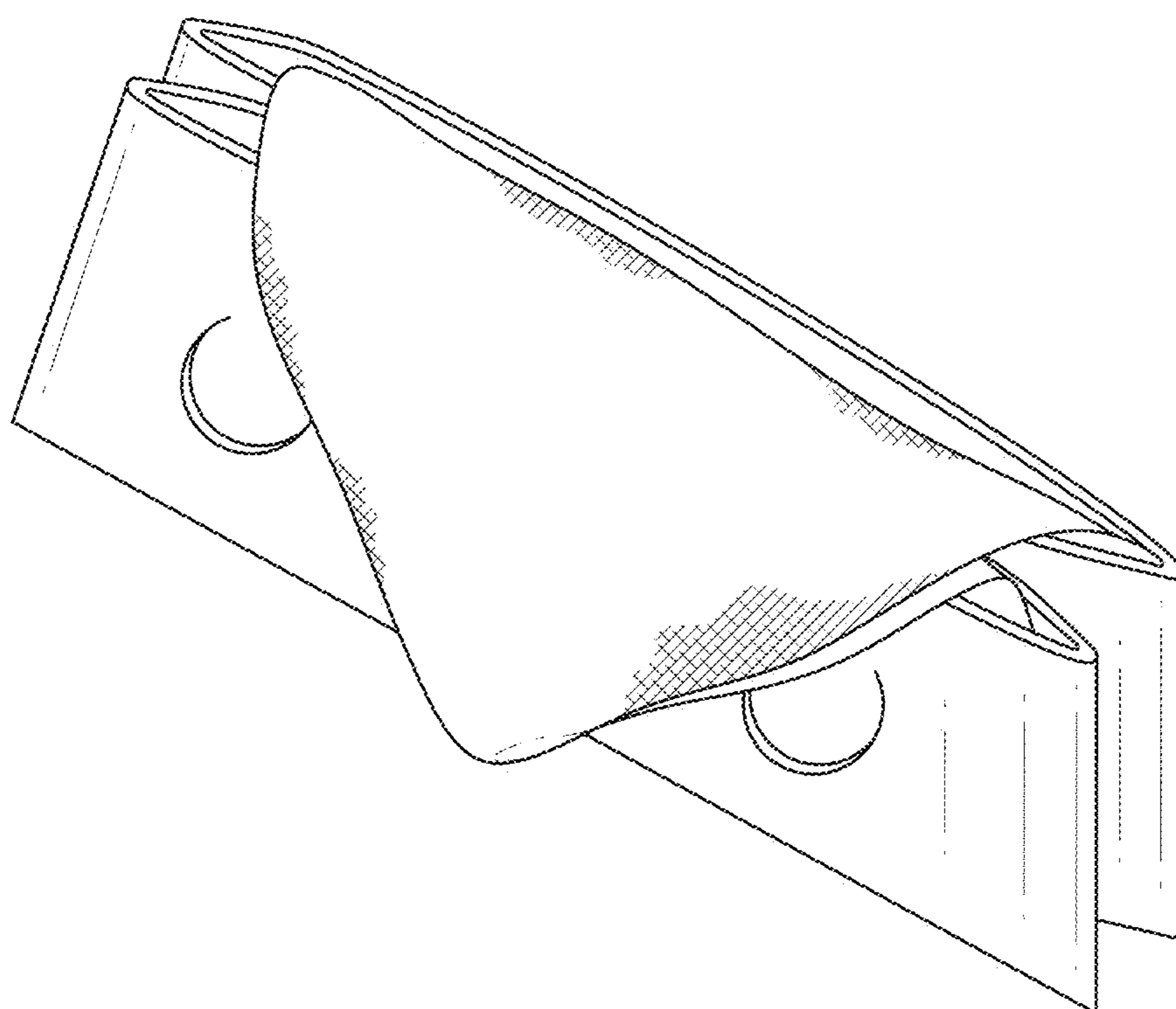


FIG. 6

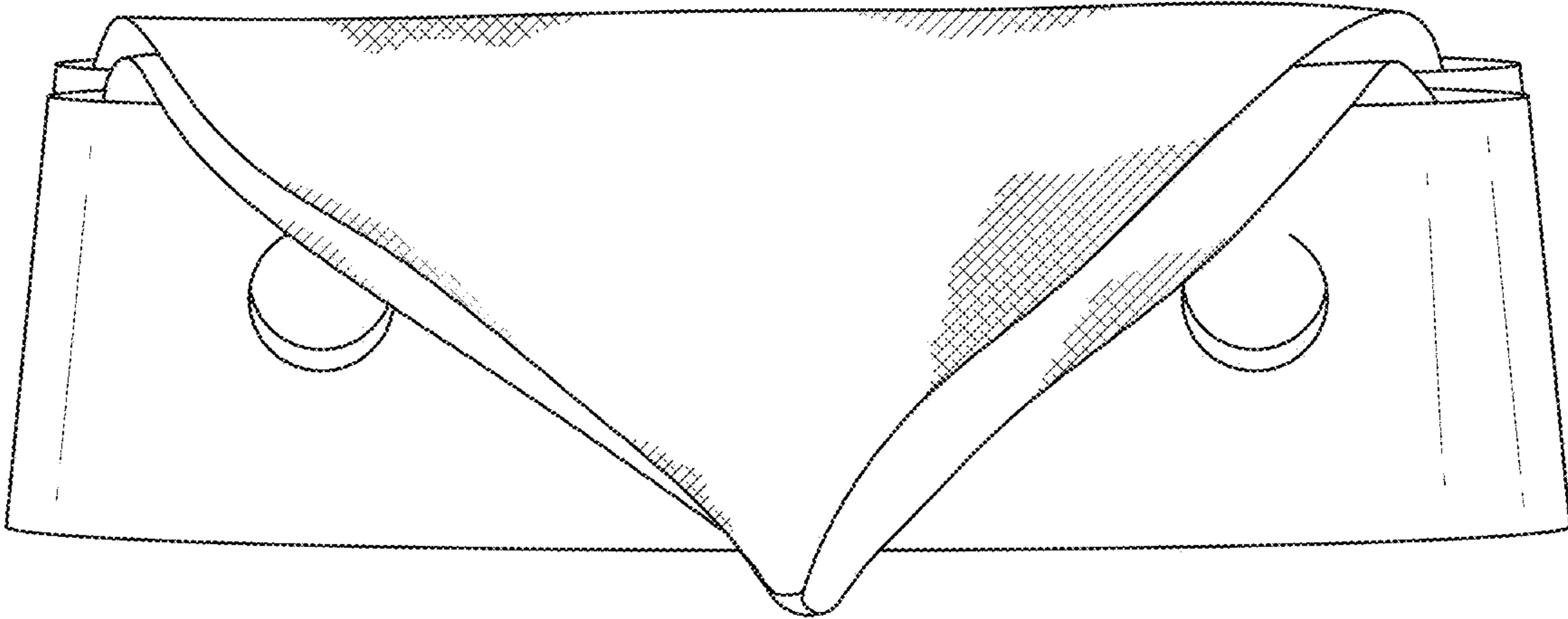


FIG. 7

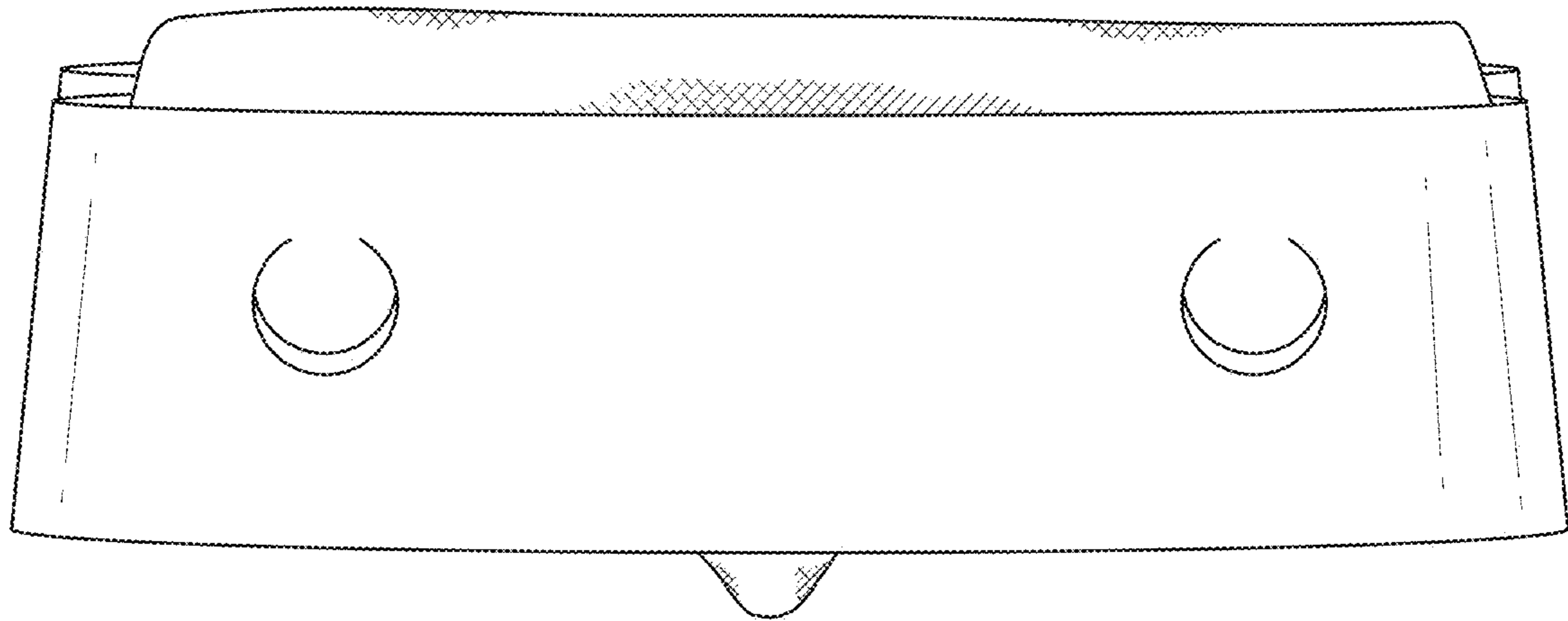


FIG. 8

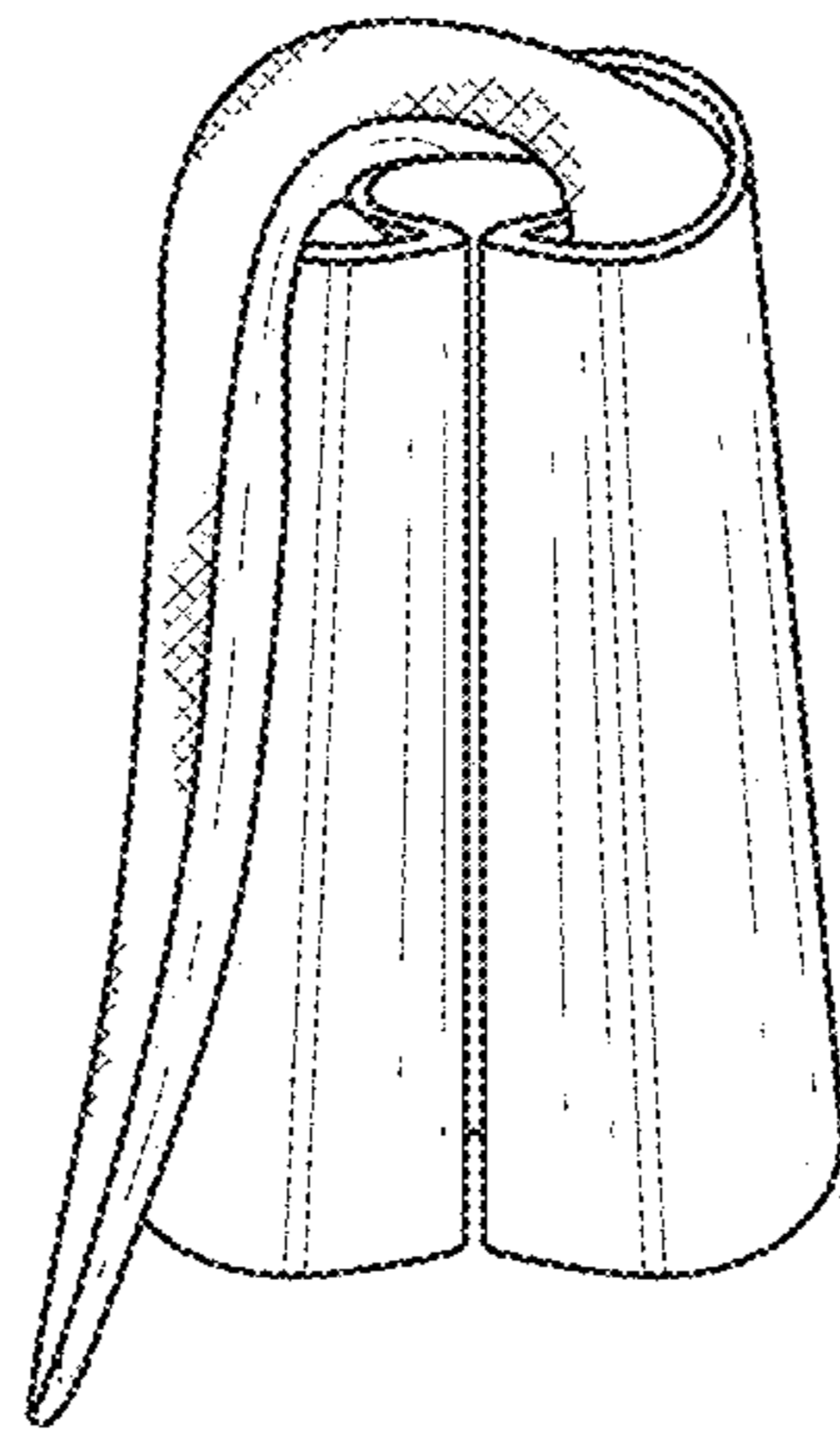


FIG. 9

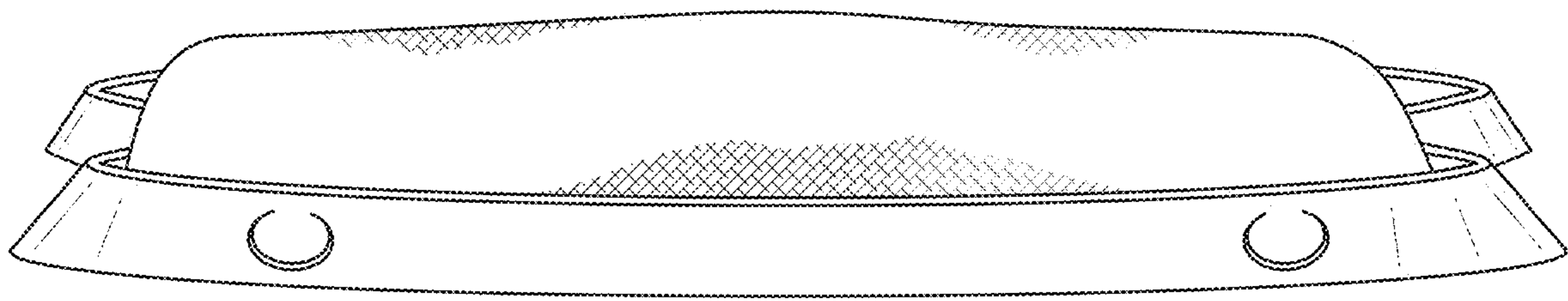


FIG. 10

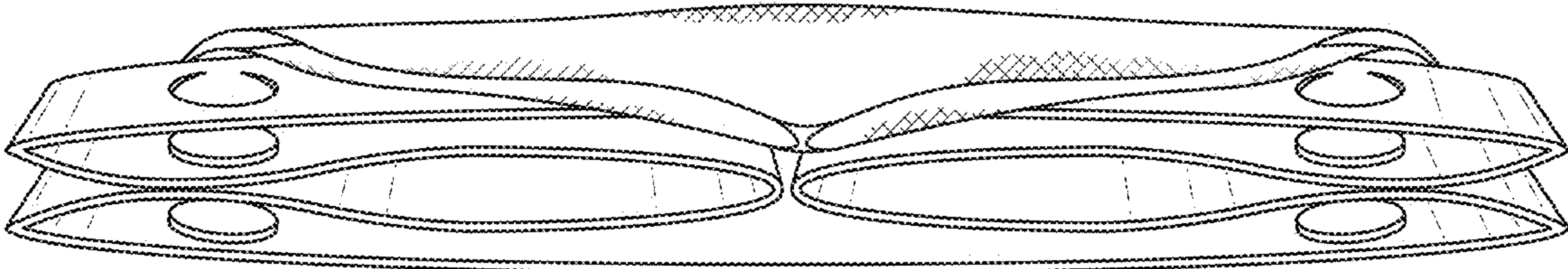


FIG. 11