



US00D972881S

(12) **United States Design Patent** (10) **Patent No.:** **US D972,881 S**
Tehrani et al. (45) **Date of Patent:** **** Dec. 20, 2022**

(54) **COOKWARE**

(71) Applicant: **Lagom Kitchen Co.**, Culver City, CA (US)
(72) Inventors: **Amir Tehrani**, Los Angeles, CA (US); **Zachary Rosner**, Los Angeles, CA (US); **Stuart Harvey Lee**, Forest Hills, NY (US); **Jochen Schaeppers**, New York, NY (US)
(73) Assignee: **Lagom Kitchen Co.**, Culver City, CA (US)

(**) Term: **15 Years**
(21) Appl. No.: **29/800,803**
(22) Filed: **Jul. 23, 2021**

Related U.S. Application Data

(60) Division of application No. 29/748,445, filed on Aug. 28, 2020, now Pat. No. Des. 929,798, which is a continuation-in-part of application No. 29/699,401, filed on Jul. 25, 2019, now Pat. No. Des. 916,547.
(51) **LOC (13) Cl.** **07-02**
(52) **U.S. Cl.**
USPC **D7/391**
(58) **Field of Classification Search**
USPC D7/323, 331, 354, 355, 356, 357, 358, D7/359, 360, 361, 362, 363, 364, 402, D7/409, 412
CPC A21B 3/13; A21B 3/131; A21B 3/132; A21B 3/135; A21B 3/136; A47J 36/00; A47J 36/02; A47J 36/06; A47J 36/16; A47J 36/24; A47J 36/022; A47J 36/027; A47J 36/064; A47J 36/14; A47J 37/00; A47J 37/01; A47J 37/04; A47J 37/06; A47J 37/10; A47J 37/101; A47J 33/00; A47J

(Continued)

(56) **References Cited**

U.S. PATENT DOCUMENTS

D41,717 S 8/1911 Swan
D212,704 S * 11/1968 Benes D7/360
4,310,418 A 1/1982 Busbey
(Continued)

FOREIGN PATENT DOCUMENTS

CA 2455023 A1 7/2004
CN 305207802 * 6/2019
(Continued)

OTHER PUBLICATIONS

Our Place Always Pan Review, announced Feb. 23, 2021 [online], retrieved Jun. 7, 2022, retrieved from internet, <https://lemonstripes.com/lifestyle/our-place-always-pan-review/>.*

(Continued)

Primary Examiner — Messina L Smith

(74) *Attorney, Agent, or Firm* — Banner & Witcoff, Ltd.

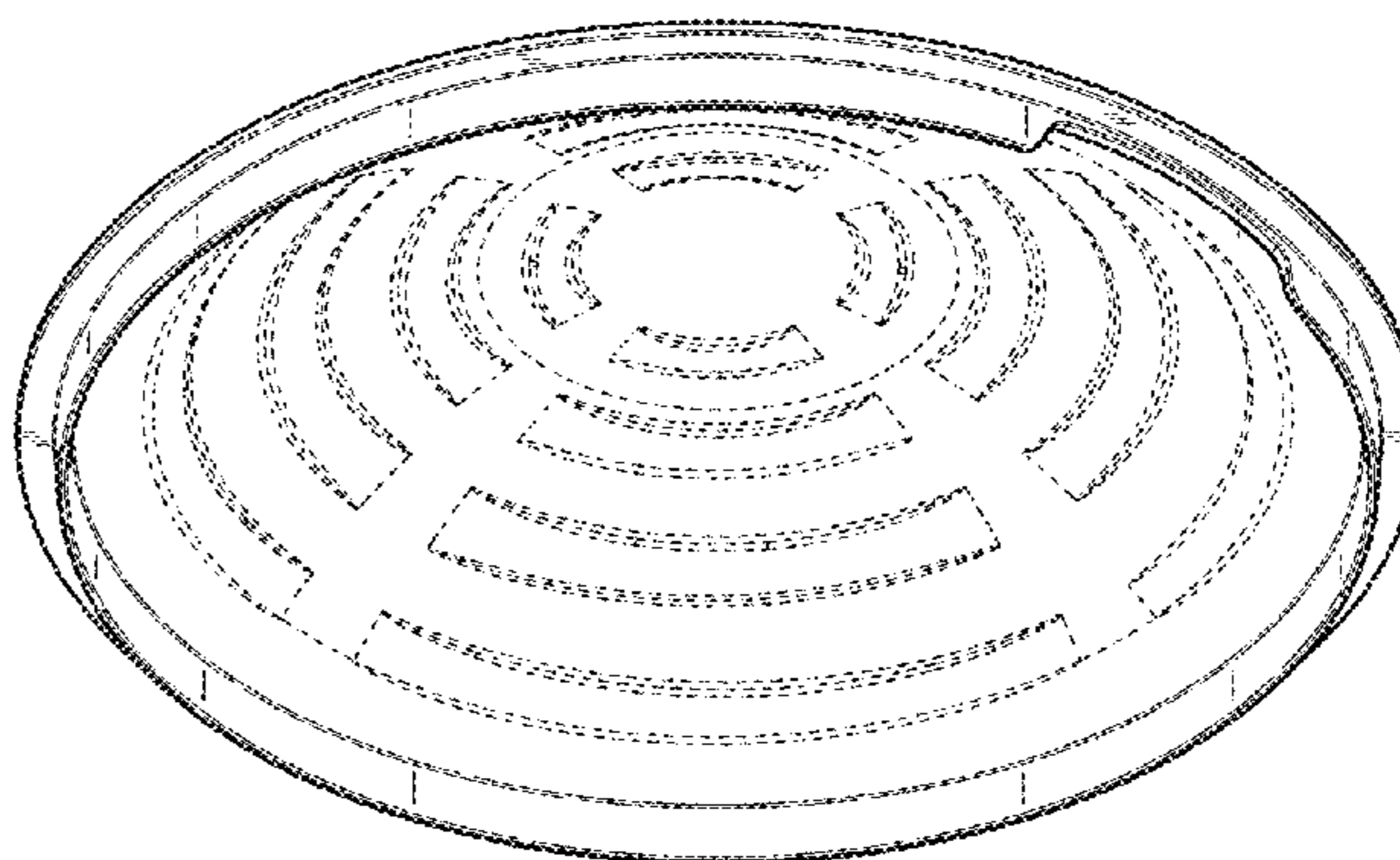
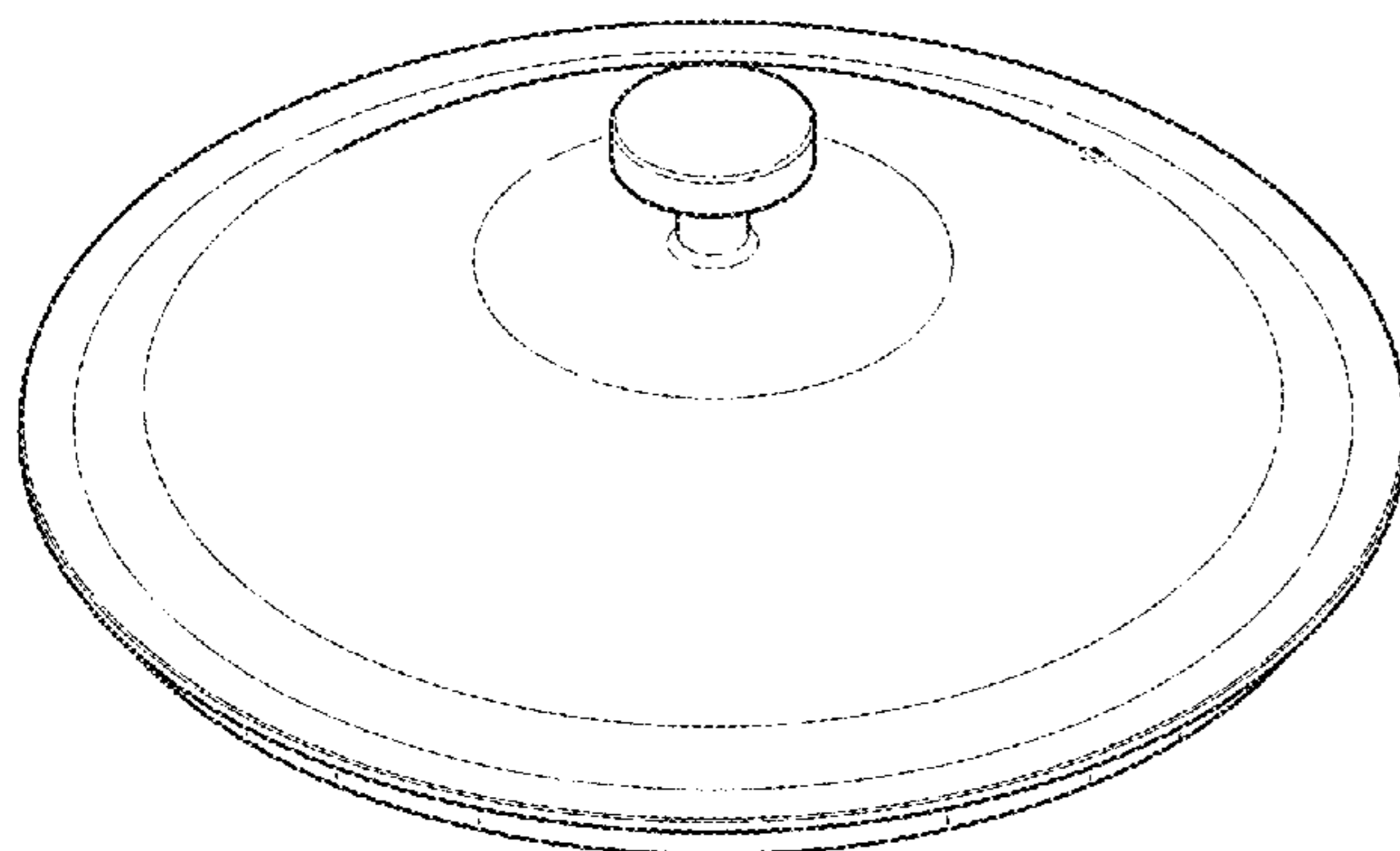
(57) **CLAIM**

The ornamental design for a cookware, as shown and described.

DESCRIPTION

FIG. 1 is a top perspective view taken from the top of one embodiment of a cookware showing our new design; FIG. 2 is a bottom perspective view taken from the bottom thereof; FIG. 3 is a right side elevation view thereof, the left side elevation view being a mirror image thereof the same; FIG. 4 is a front elevation view thereof; FIG. 5 is a rear elevation view thereof; FIG. 6 is a top plan view thereof; and, FIG. 7 is a bottom plan view thereof. The broken lines showing portions of the cookware form no part of the claimed design.

1 Claim, 3 Drawing Sheets



(58) **Field of Classification Search**
 CPC 45/06; A47J 45/061; A47J 45/065; A47J
 45/066; A47J 45/08
 See application file for complete search history.

EP 2976977 A1 1/2016
 JP D1688555 * 6/2021
 JP D1716320 * 5/2022
 RU 2264152 C1 11/2005

(56) **References Cited**

U.S. PATENT DOCUMENTS

D267,388 S * 12/1982 Spoeth, Jr. D7/360
 D273,168 S * 3/1984 Bowen D7/354
 D274,402 S * 6/1984 Ziskind D7/391
 D363,851 S 11/1995 Chen
 D370,826 S 6/1996 Thurlow
 5,544,568 A * 8/1996 Potgieter A45C 11/20
 220/592.25
 6,419,107 B1 * 7/2002 Cheng A47J 36/14
 220/573.1
 D469,655 S 2/2003 Ryan
 6,730,889 B1 * 5/2004 Jones-Lawlor A47J 36/32
 219/506
 6,848,592 B2 2/2005 Logiudice
 D550,030 S * 9/2007 Peterson D7/392.1
 D572,523 S * 7/2008 Baker D7/360
 D580,214 S 11/2008 Dodane
 D587,062 S 2/2009 Ek
 D587,519 S 3/2009 Cheng
 D666,272 S * 8/2012 Shi D7/354
 D732,885 S * 6/2015 Accoceberry A47J 36/08
 D7/354
 D756,163 S 5/2016 Gabbay
 D797,494 S 9/2017 Mirchandani
 D810,501 S * 2/2018 Kastner D7/392.1
 D812,414 S * 3/2018 Kastner D7/361
 D819,393 S 6/2018 Dodane
 D832,024 S * 10/2018 Wessels D7/354
 D845,063 S * 4/2019 Marques, Jr. D7/354
 D850,186 S 6/2019 Livingston
 D852,576 S 7/2019 Jamison
 D879,546 S 3/2020 Hollinger
 D880,222 S 4/2020 Hollinger
 10,610,057 B1 * 4/2020 Billman F24C 7/083
 D883,731 S 5/2020 Tsai
 D888,490 S 6/2020 Li
 D916,547 S * 4/2021 Tehrani D7/361
 D922,131 S * 6/2021 Hoff D7/361
 D924,622 S * 7/2021 Turner D7/354
 2001/0042753 A1 * 11/2001 Park A47J 36/06
 220/573.1
 2005/0205577 A1 * 9/2005 Park A47J 27/56
 220/756
 2009/0095169 A1 * 4/2009 York A47J 27/004
 220/573.5
 2011/0260023 A1 * 10/2011 Braun A47J 36/12
 248/220.21
 2012/0055347 A1 * 3/2012 Kim A47J 37/10
 99/447
 2013/0037553 A1 2/2013 Bourbeau
 2014/0326733 A1 * 11/2014 Park A47J 27/002
 220/573.1
 2017/0172345 A1 * 6/2017 Bennett A47J 37/101
 2018/0368625 A1 12/2018 Wada

FOREIGN PATENT DOCUMENTS

CN 307334597 * 5/2022
 DE 8521152 U1 10/1985
 EM 007538731-0002 5/2020

OTHER PUBLICATIONS

How to Make Keto Potstickers, announced Mar. 17, 2020 [online],
 retrieved Jun. 7, 2022, retrieved from internet, <https://homemadeforelle.com/how-to-make-keto-potstickers/>.*

Can the Always Pan Replace All of Your Cookware?, announced
 Feb. 7, 2020 [online], retrieved Jun. 7, 2022, retrieved from internet,
<https://www.epicurious.com/expert-advice/our-place-always-pan-review-article>.*

This Always Pan Dupe Is More Than \$100 Off RN & Shoppers Say
 It Makes Cooking So ‘Seamless’, announced Feb. 15, 2022 [online],
 retrieved Jun. 7, 2022, retrieved from internet, <https://stylecaster.com/macys-always-pan-dupe/>.*

No. 10 Cast Iron Skillet Lid, announced Jun. 23, 2021 [online],
 retrieved Jun. 7, 2022, retrieved from internet, <https://fieldcompany.com/products/no-10-cast-iron-skillet-lid>.*

Legend Cast Iron Skillet with Lid, announced Sep. 10, 2019
 [online], retrieved Jun. 7, 2022, retrieved from internet, <https://www.amazon.com/Legend-Cast-Iron-Skillet-Lid/dp/B07XQJR9FY>.*

Lodge Seasoned Cast Iron Skillet with Tempered Glass Lid, announced
 May 31, 2017 [online], retrieved Jun. 7, 2022, retrieved from
 internet, <https://www.amazon.com/Lodge-Seasoned-Skillet-Tempered-Glass/dp/B071J9HH51>.*

Cast Iron Storage, announced Feb. 24, 2021 [online], retrieved Jun.
 7, 2022, retrieved from internet, <https://www.southerncastiron.com/cast-iron-storage/>.*

The Best Cast Iron Skillets: How Much Should You Spend?,
 announced Aug. 13, 2021 [online], retrieved Jun. 7, 2022, retrieved
 from internet, <https://therationalkitchen.com/the-best-cast-iron-skillets-how-much-should-you-spend/>.*

Non-Final Office Action issued by the United States Patent and
 Trademark Office for corresponding U.S. Appl. No. 29/748,445,
 electronically dated Dec. 30, 2020.

Notice of Allowance issued by the United States Patent and Trade-
 mark Office for corresponding U.S. Appl. No. 29/748,445, elec-
 tronically dated Jun. 29, 2021.

Corrected Notice of Allowance issued by the United States Patent
 and Trademark Office for corresponding U.S. Appl. No. 29/748,445,
 electronically dated Jul. 27, 2021.

Corrected Notice of Allowance issued by the United States Patent
 and Trademark Office for corresponding U.S. Appl. No. 29/748,445,
 electronically dated Aug. 4, 2021.

International Search Report and Written Opinion for PCT/US2020/
 042498 dated Oct. 15, 2020.

Always Pan, announced Dec. 16, 2019 [online], retrieved Sep. 25,
 2020 from Internet, https://fromourplace.com/products/always-essential-cooking-pan?utm_source=pepperjam&utm_medium=affiliate&utm_campaign=200286&clickId=3276306738.

These Designers Created a Pan That Is Able to Replace Most of
 Your Cookware by Itself, announced Nov. 28, 2019 [online],
 retrieved Sep. 25, 2020 from Internet, <https://fortune.com/2019/11/28/our-place-always-pan-cookware-design/>.

A Pan for Just About Anything, announced Sep. 23, 2019 [online],
 retrieved Sep. 25, 2020 from Internet, <https://www.nytimes.com/2019/09/23/dining/always-pan-from-our-place.html>.

Aug. 5, 2022—(CA) Examination Report—App. No. 198565.

* cited by examiner

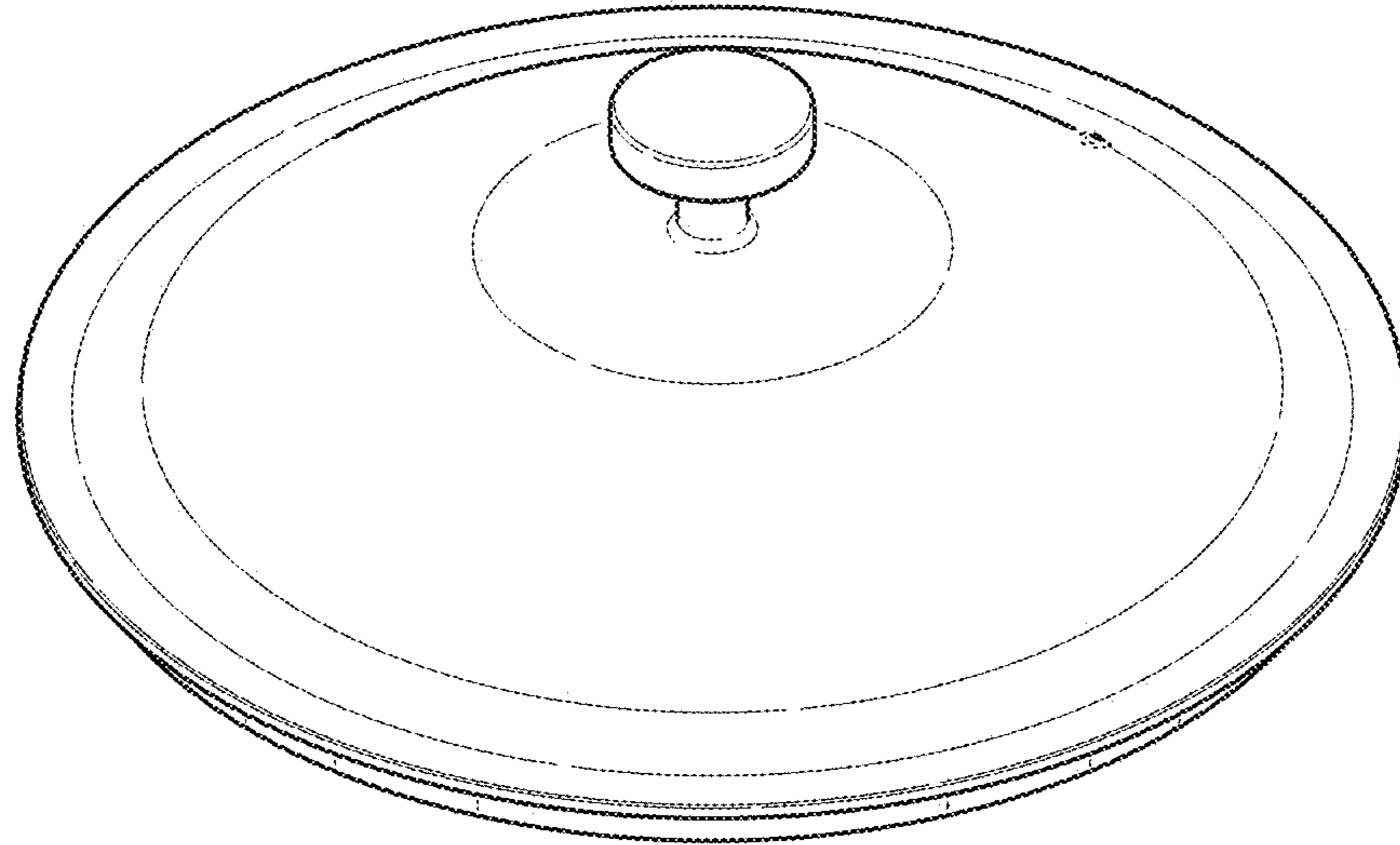


FIG. 1

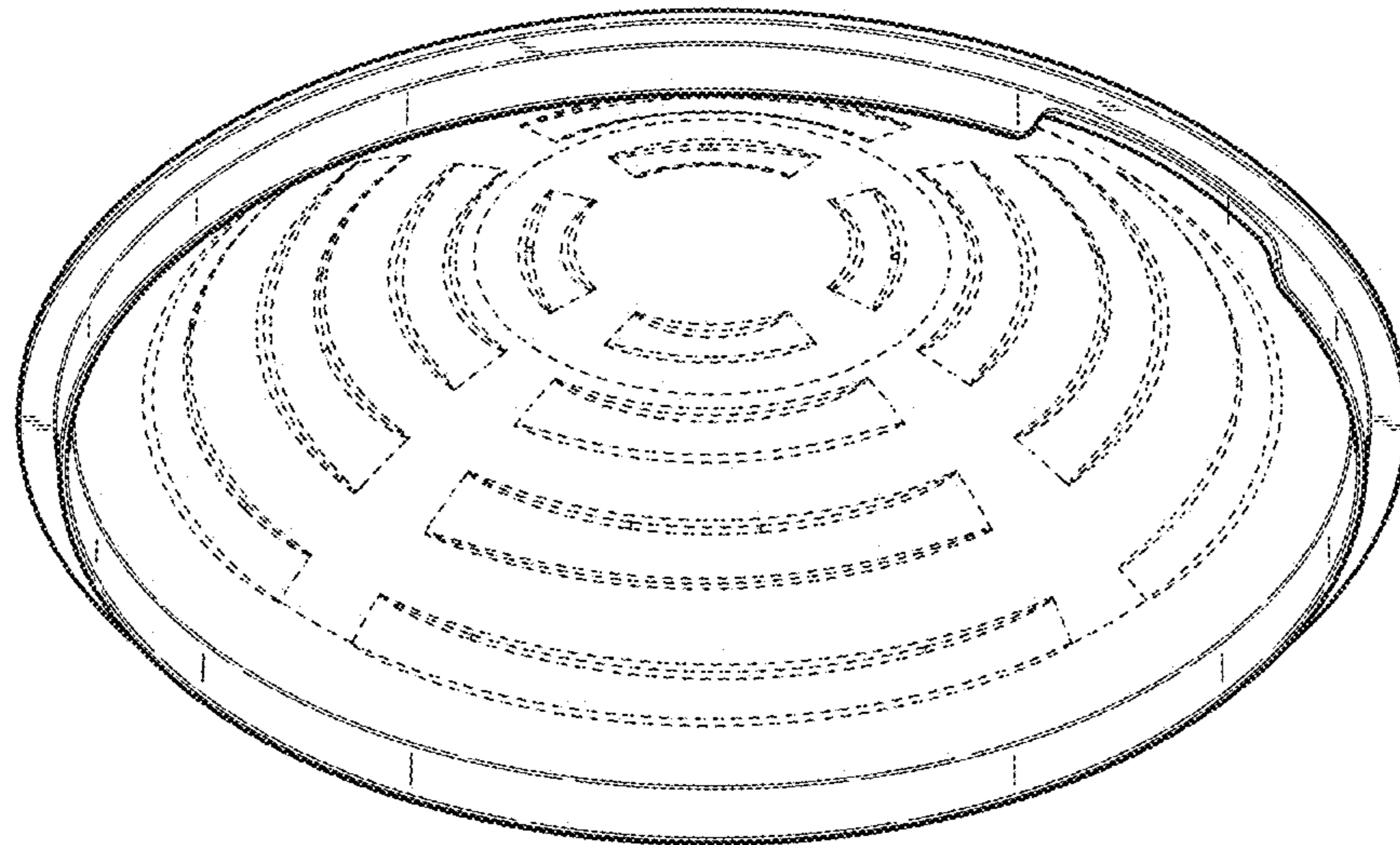


FIG. 2

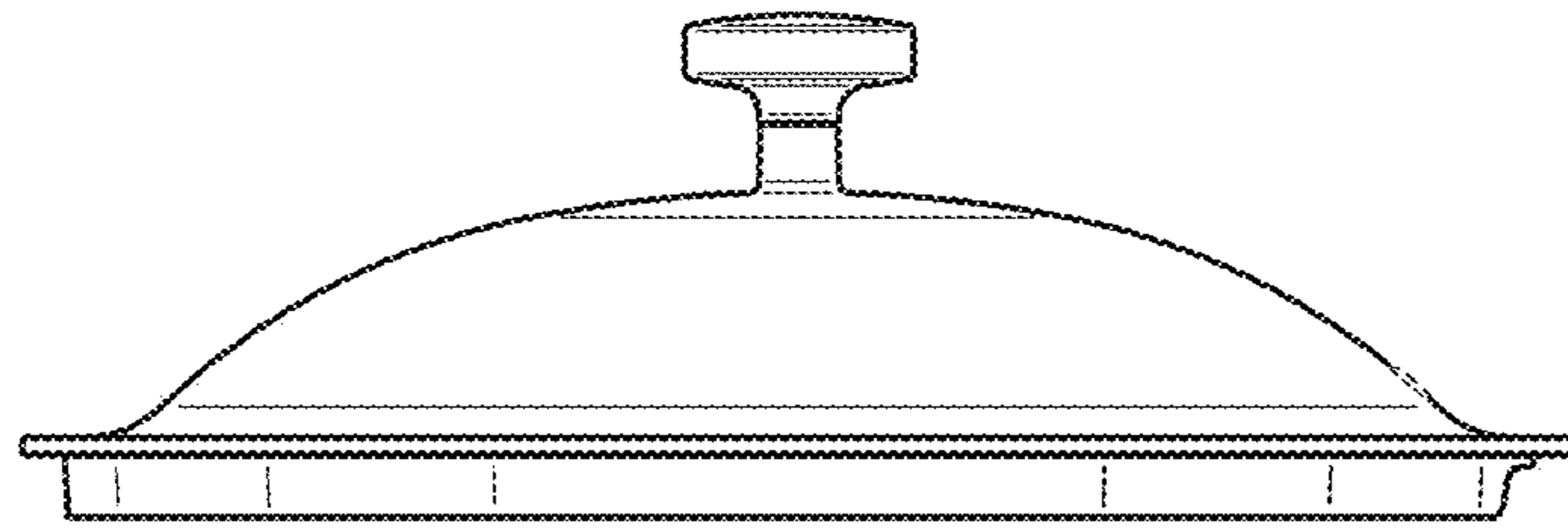


FIG. 3

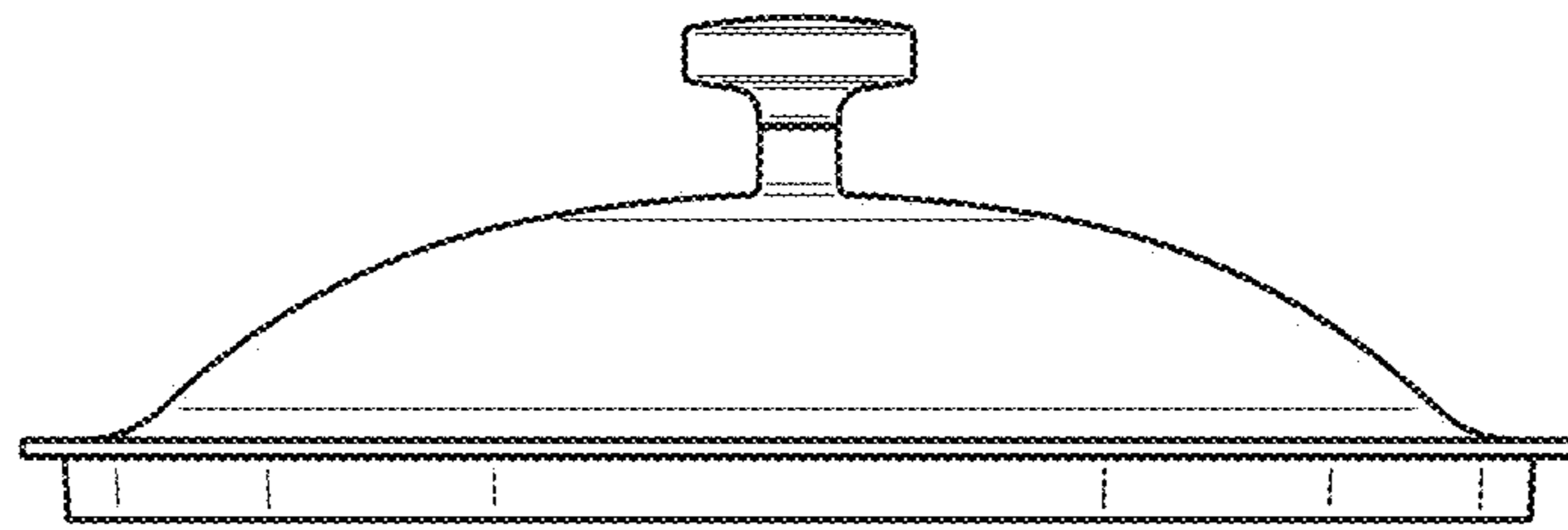


FIG. 4

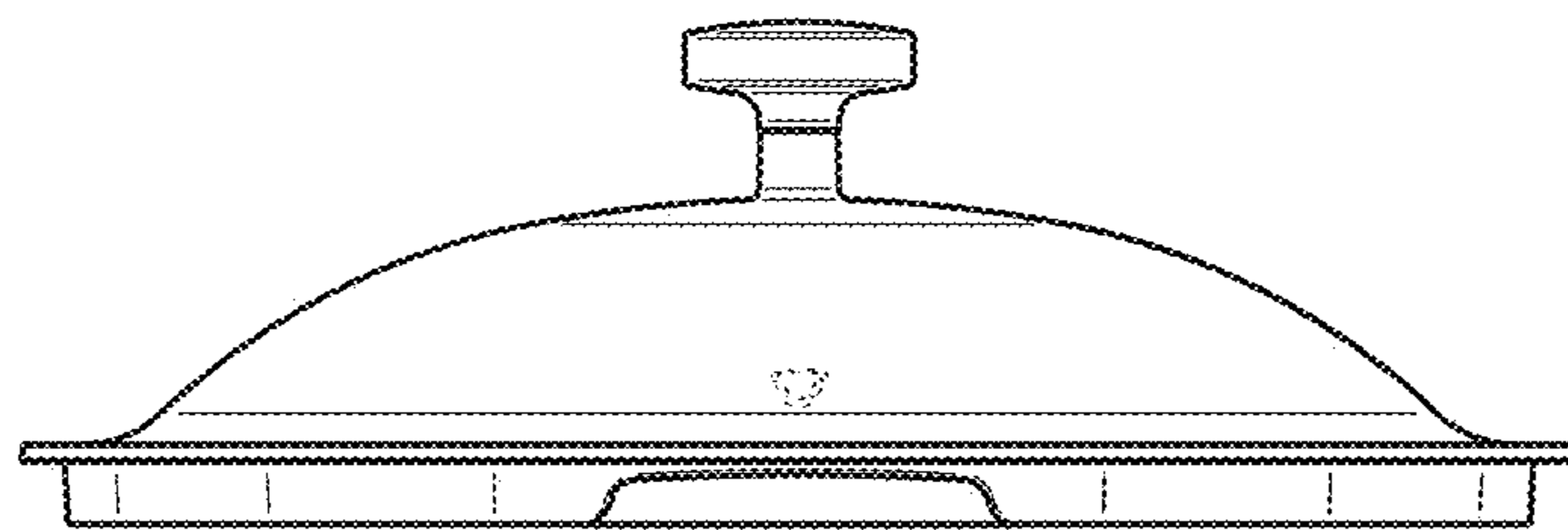


FIG. 5

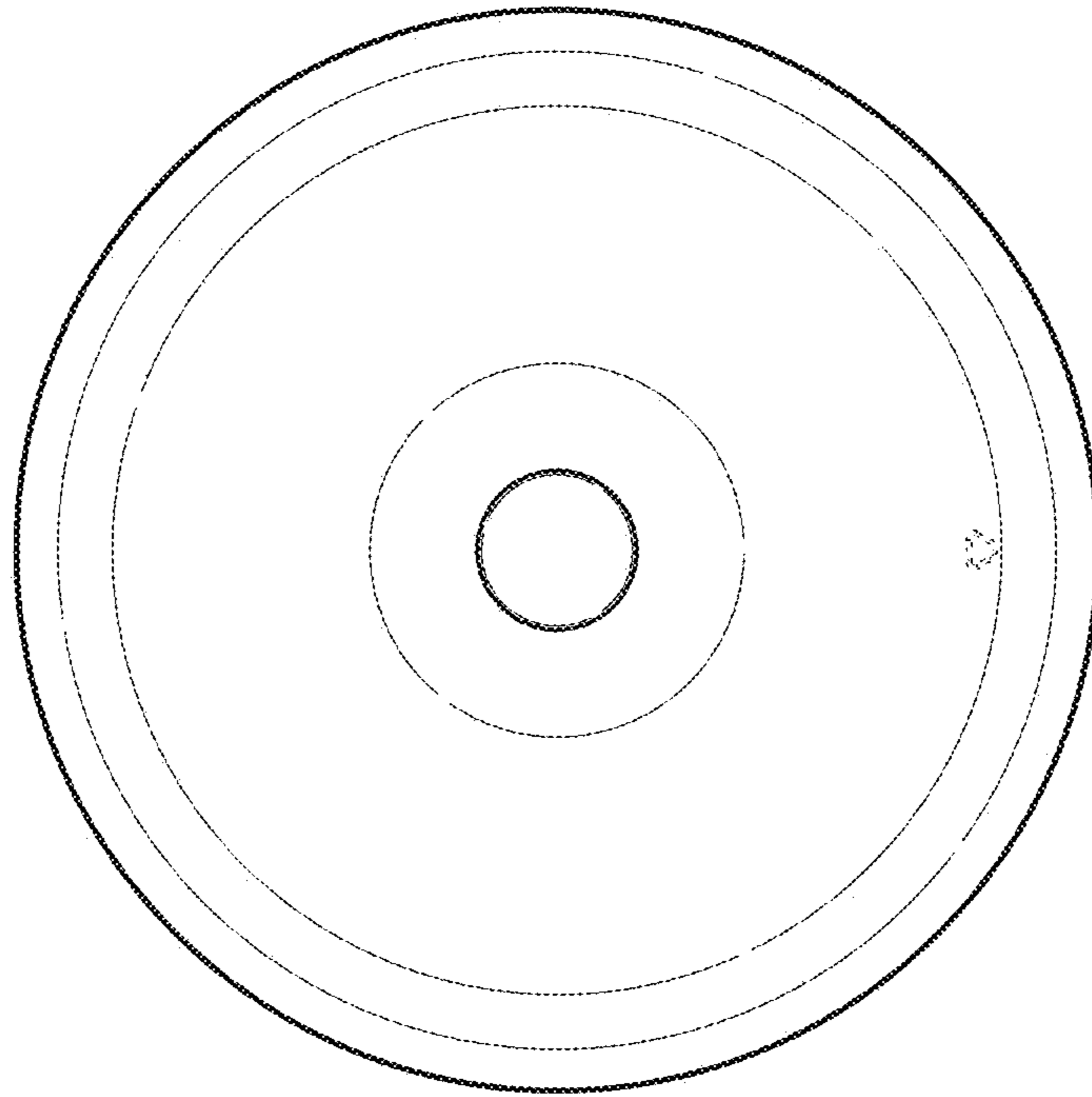


FIG. 6

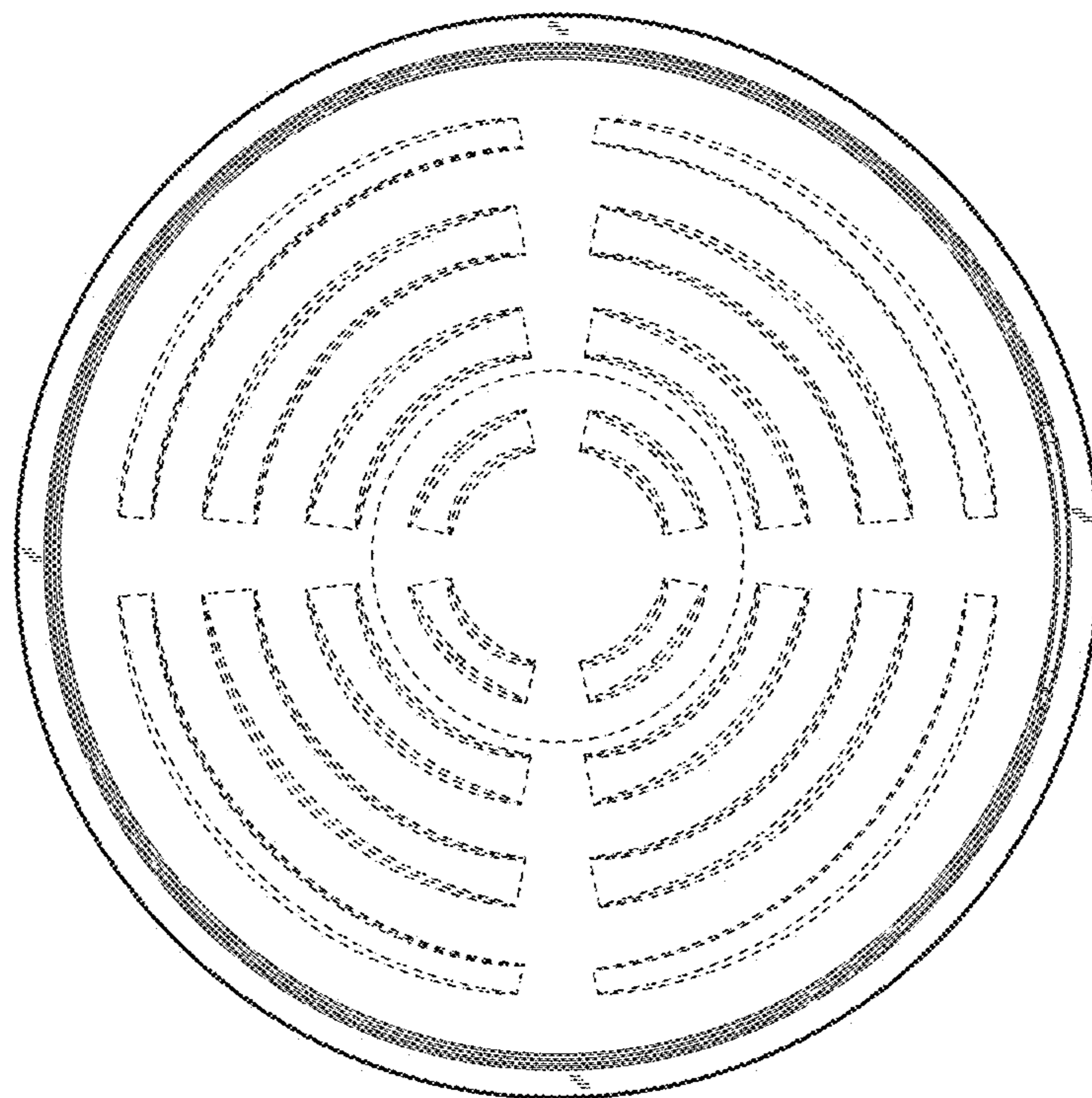


FIG. 7