

US00D972879S

(12) **United States Design Patent** (10) **Patent No.:** **US D972,879 S**
Chen (45) **Date of Patent:** **** Dec. 20, 2022**

(54) **FILLING MACHINE** D882,186 S * 4/2020 Daniel D30/131
D892,529 S 8/2020 Fei
(71) Applicant: **Wenzhou Tongsen Welding Machine** D932,237 S * 10/2021 Carulla i Callis D7/376
Manufacturing Co., Ltd, Wenzhou D959,633 S * 8/2022 Ye D23/366
(CN) 2013/0180456 A1* 7/2013 Whitsett A01K 5/02
119/57.92

(72) Inventor: **Danxiu Chen, Wenzhou (CN)**
(73) Assignee: **Wenzhou Tongsen Welding Machine**
Manufacturing Co., Ltd, Wenzhou
(CN)

(**) Term: **15 Years**

(21) Appl. No.: **29/839,968**

(22) Filed: **May 25, 2022**

(51) **LOC (13) Cl.** **07-04**

(52) **U.S. Cl.**
USPC **D7/368**

(58) **Field of Classification Search**
USPC D7/368, 369, 372, 669, 688, 376, 398;
D23/225; D30/121; D15/199
CPC .. A47J 31/00; A47J 43/00; A47J 43/04; A47J
43/044; A01K 39/012; A21C 1/02; A23G
9/00; A23G 9/04; A23G 9/28; A23N
1/00; B30B 9/00; B30B 9/02

See application file for complete search history.

(56) **References Cited**

U.S. PATENT DOCUMENTS

D303,265 S * 9/1989 Miyoshi D15/199
6,868,801 B2 * 3/2005 Rovira Badia A01K 5/0225
119/51.5
D512,538 S * 12/2005 Bird D30/121
D698,500 S * 1/2014 Banks D30/121
D710,549 S * 8/2014 Bogart D30/121
D844,472 S * 4/2019 Van Wijngaarden D10/97
D846,106 S * 4/2019 Hu D23/366
D847,303 S * 4/2019 Becker D23/225

OTHER PUBLICATIONS

Manual Paste Filling Machine | posted at Amazon.com, posted on
Apr. 14, 2022, © 1996-2022 Amazon.com, [online], [site visited
Sep. 29, 2022]. Available from Internet, <URL: <https://www.amazon.com/Monstech-Liquid-Filling-Machine-Bottle/dp/B08C7ZYBSB/>> (Year: 2022).*

* cited by examiner

Primary Examiner — Andrew Kerr

(74) *Attorney, Agent, or Firm* — Jeenam Park

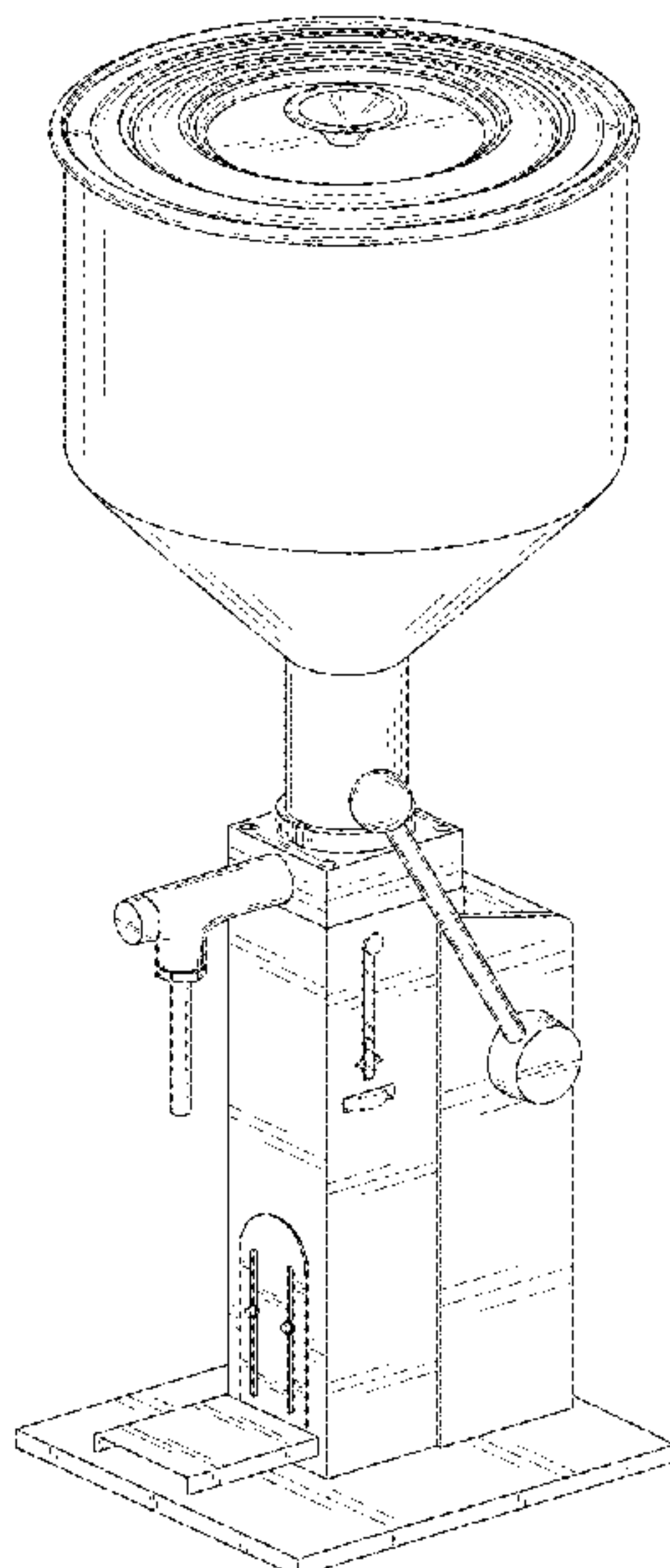
(57) **CLAIM**

The ornamental design for a filling machine, as shown and described.

DESCRIPTION

FIG. 1 is a perspective view of a filling machine, showing my new design;
FIG. 2 is another perspective view thereof;
FIG. 3 is a front elevation view thereof;
FIG. 4 is a rear elevation view thereof;
FIG. 5 is a left side elevation view thereof;
FIG. 6 is a right side elevation view thereof;
FIG. 7 is a top plan view thereof; and,
FIG. 8 is a bottom plan view thereof.
The broken lines in the drawings depict portions of the filling machine that form no part of the claimed design.

1 Claim, 8 Drawing Sheets



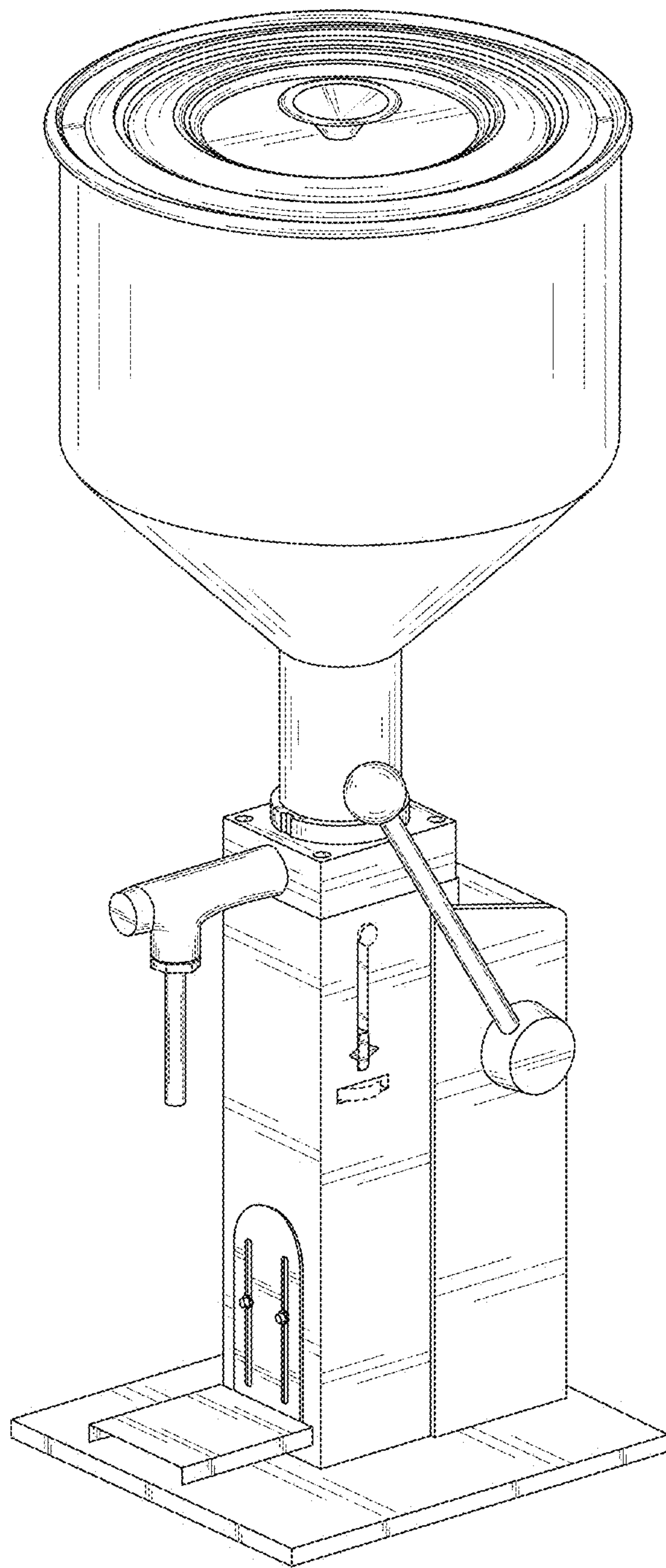


FIG. 1

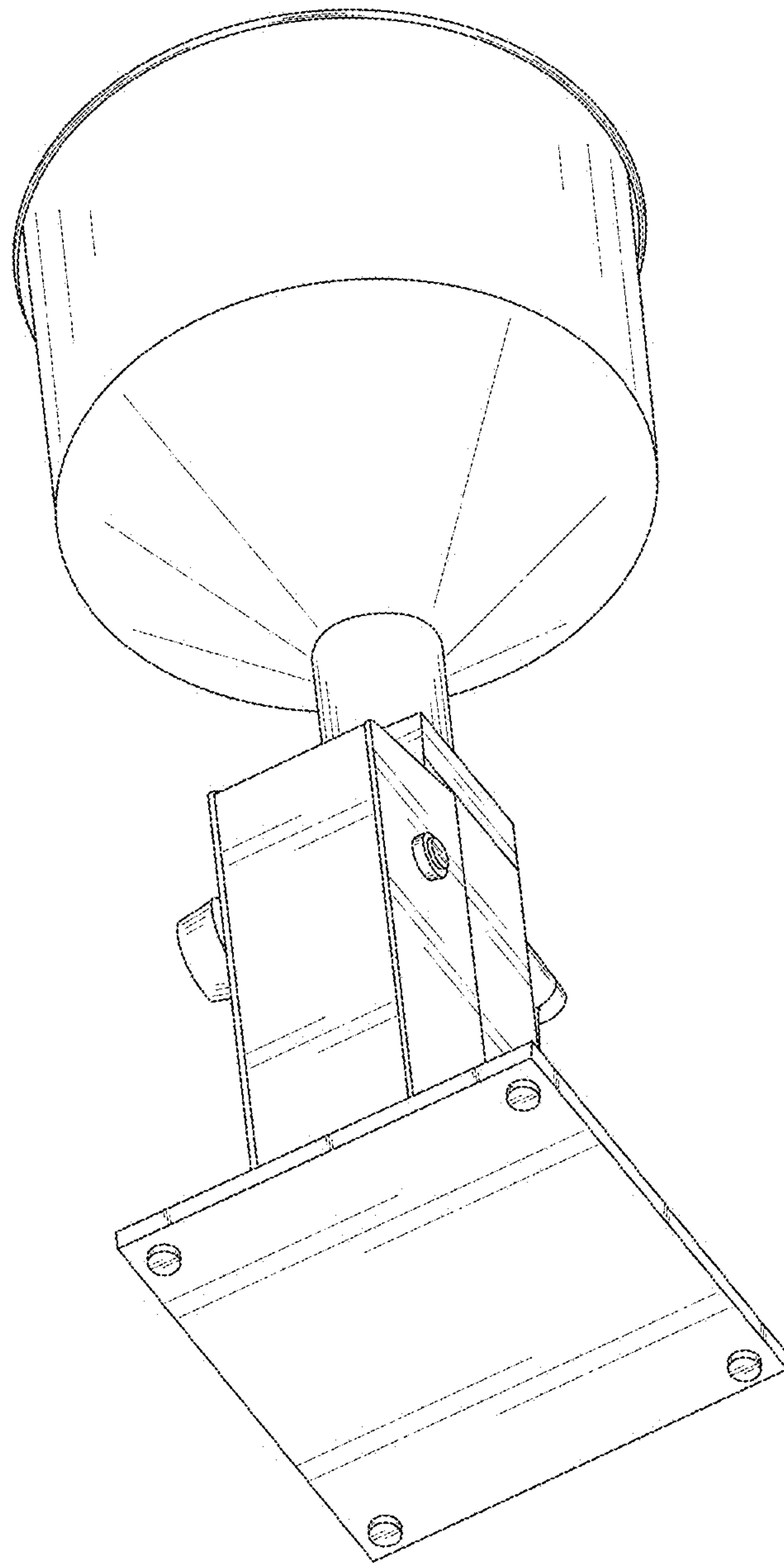


FIG.2

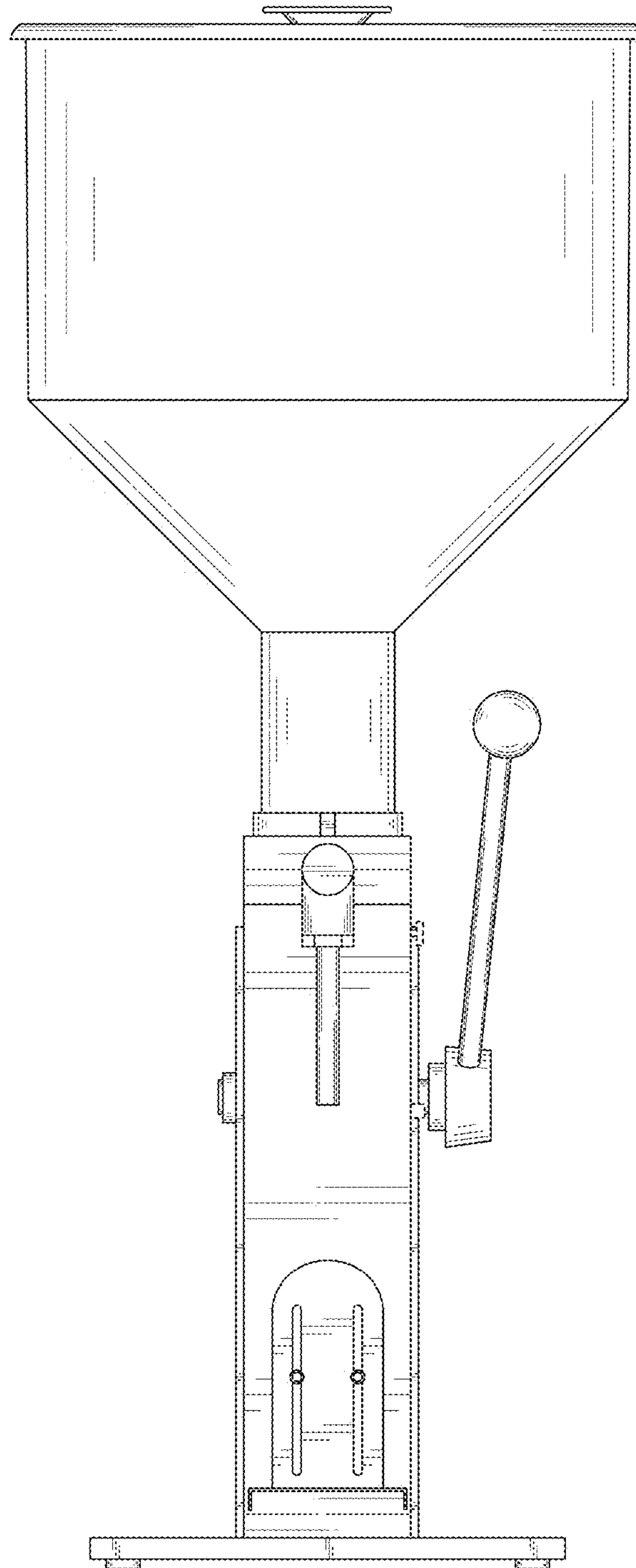


FIG.3

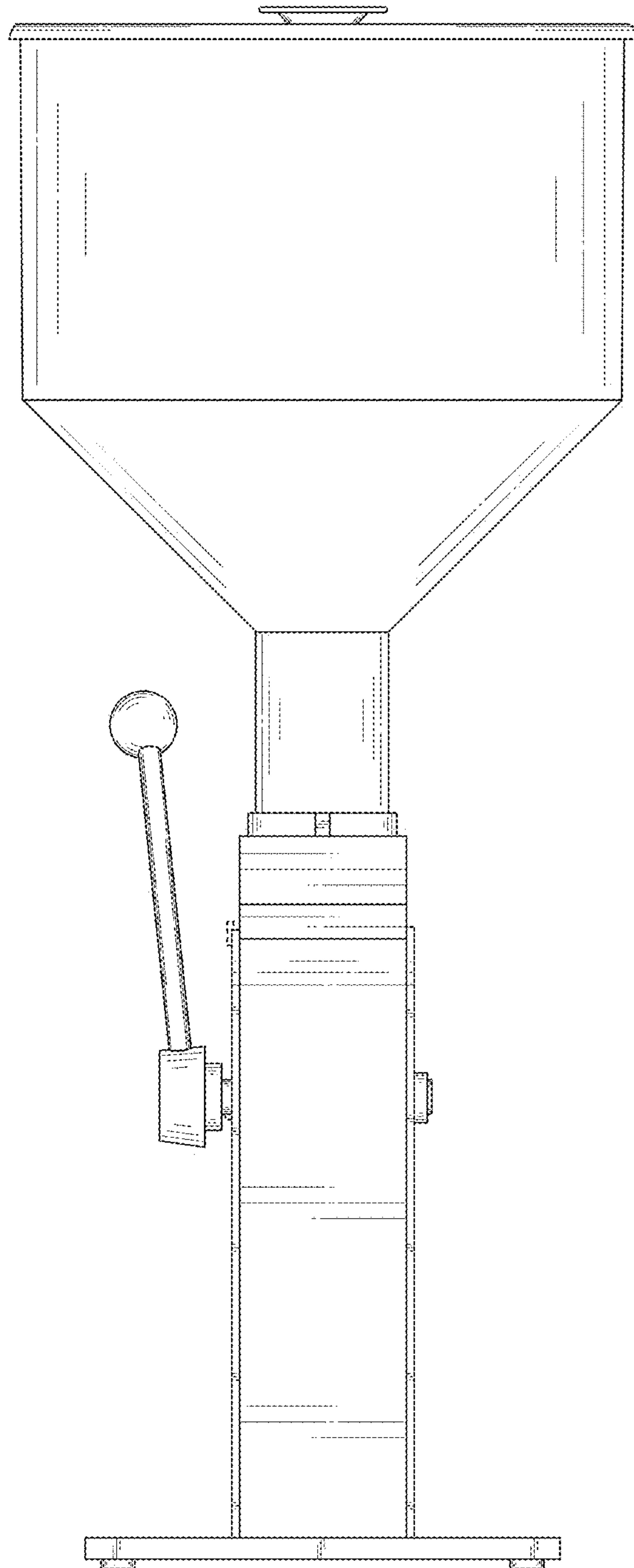


FIG.4

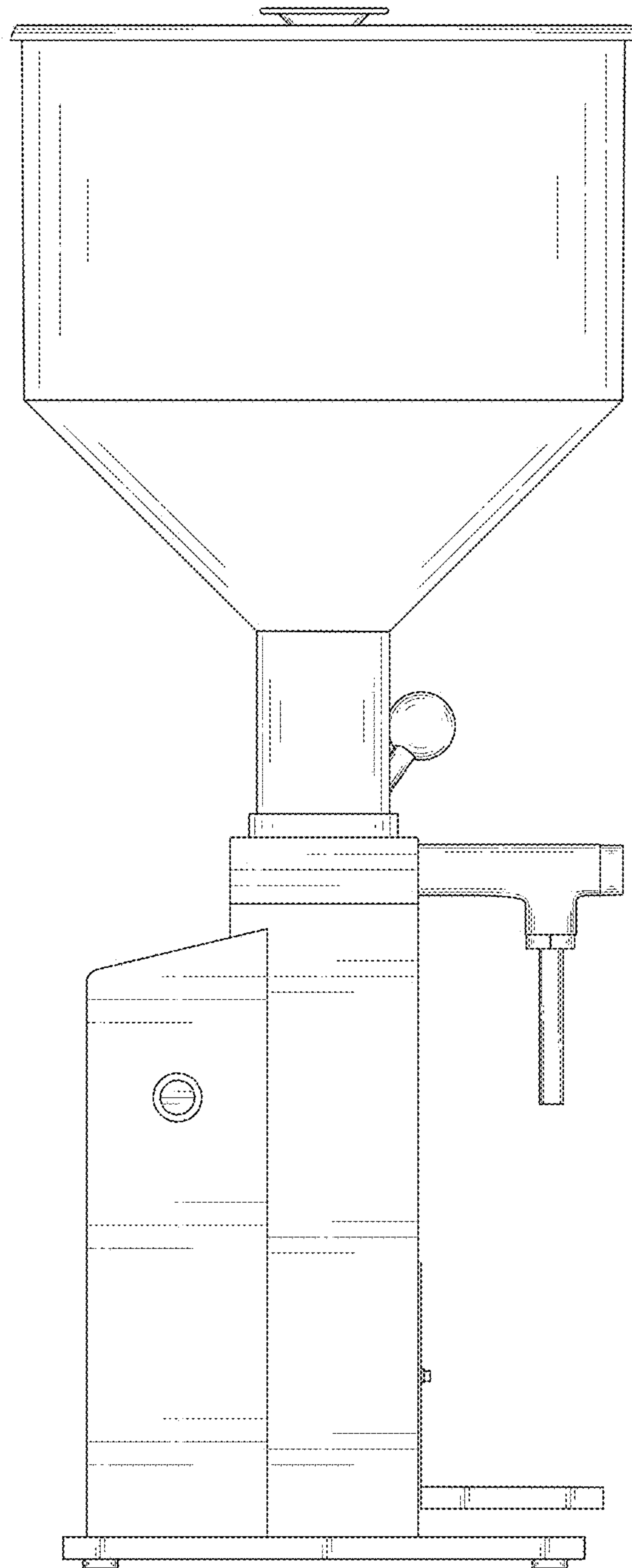


FIG.5

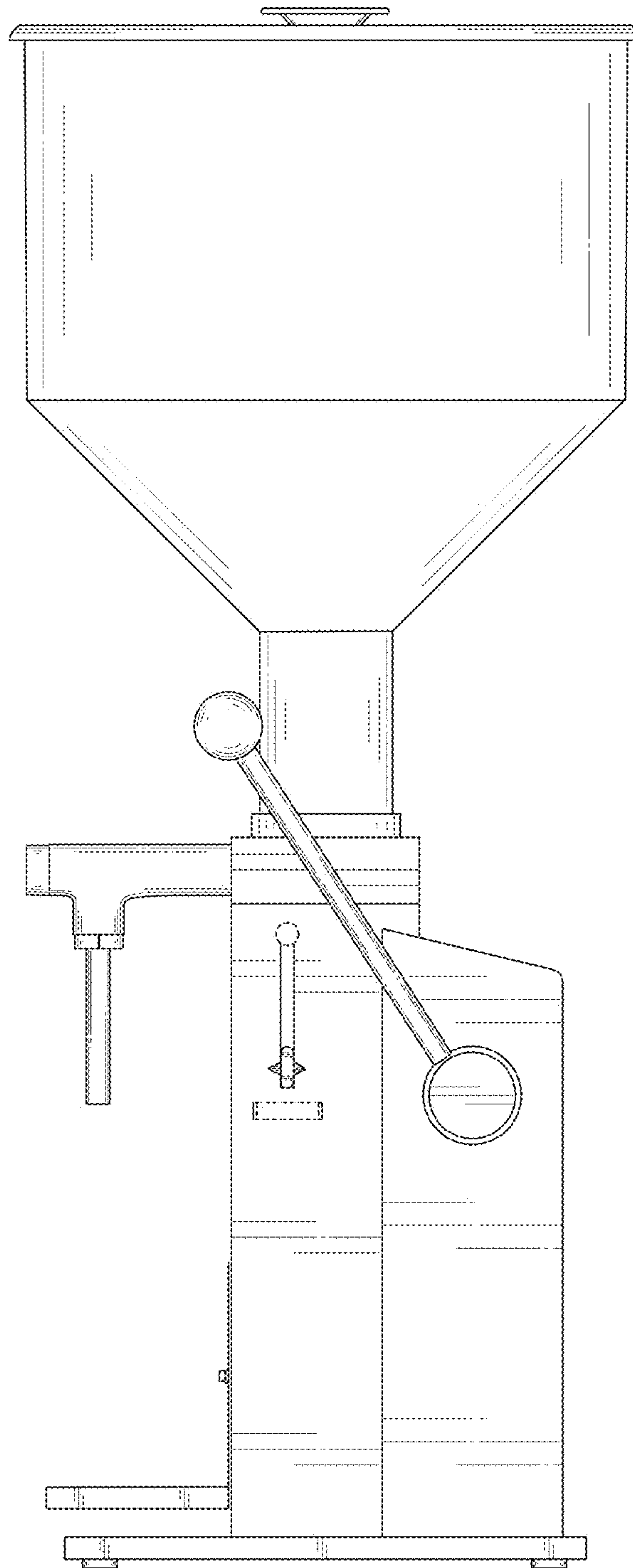


FIG.6

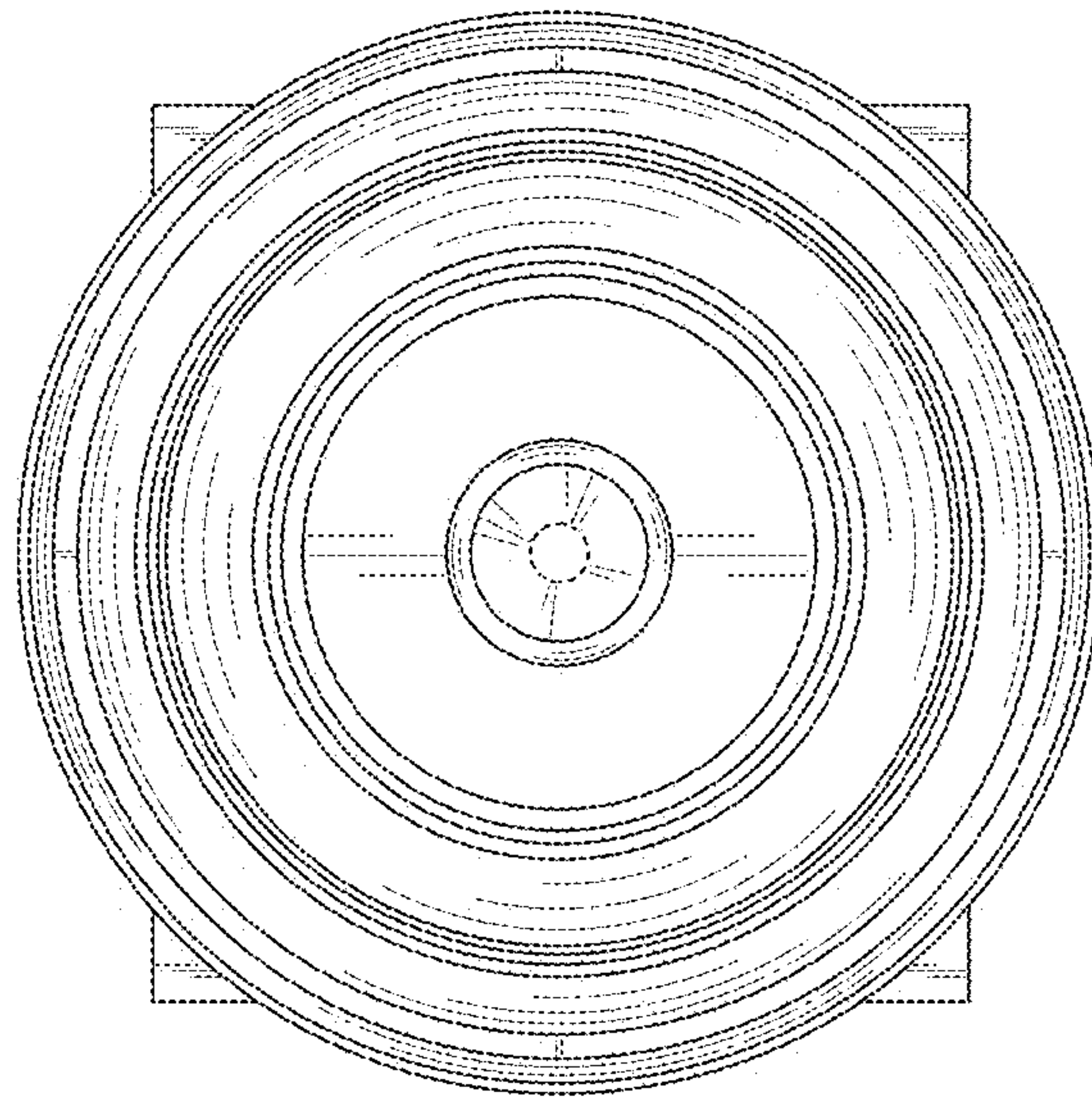


FIG.7

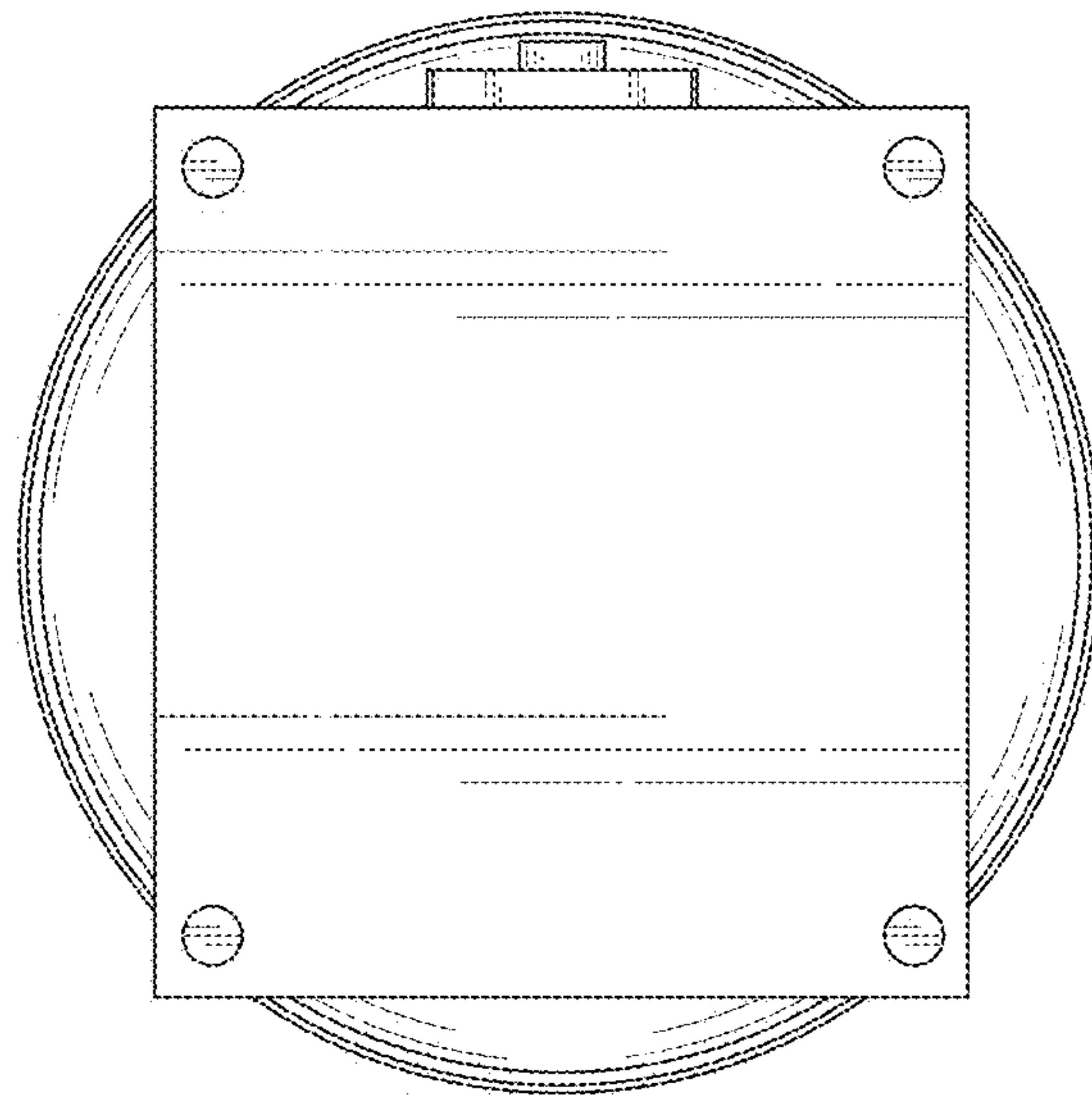


FIG.8