



US00D972877S

(12) **United States Design Patent**
Li

(10) **Patent No.:** **US D972,877 S**

(45) **Date of Patent:** **** Dec. 20, 2022**

(54) **AIR FRYER**

(71) Applicant: **Zhaopeng Li**, Chaozhou (CN)

(72) Inventor: **Zhaopeng Li**, Chaozhou (CN)

(**) Term: **15 Years**

(21) Appl. No.: **29/764,639**

(22) Filed: **Dec. 31, 2020**

(51) **LOC (13) Cl.** **07-02**

(52) **U.S. Cl.**
USPC **D7/354**

(58) **Field of Classification Search**
USPC D7/323, 354-361
CPC A23L 1/01; A23L 1/0107; A23L 1/0114;
A47J 27/00; A47J 27/08; A47J 27/09;
A47J 27/092; A47J 36/025; A47J 36/06;
A47J 36/08; A47J 36/10; A47J 36/12;
A47J 36/18; A47J 36/20; A47J 36/22;
A47J 36/165; A47J 37/00; A47J 37/0641;
A47J 37/12; A47J 37/129; A47J 37/1204;
A47J 37/1209; A47J 37/1214; A47J
37/1219; A47J 37/1266; A47J 37/1285;
A47J 37/1295; G07F 17/0064; G07F
17/0078; G07F 17/0085; H05B 6/02;
H05B 6/06; H05B 6/12

See application file for complete search history.

(56) **References Cited**

U.S. PATENT DOCUMENTS

D836,381 S * 12/2018 Moon D7/354
D841,388 S * 2/2019 Zhang D7/354

D862,152 S * 10/2019 Huang D7/354
D871,827 S * 1/2020 Moon D7/354
D875,460 S * 2/2020 Chen D7/354
D879,539 S * 3/2020 Chen D7/354
D883,729 S * 5/2020 Yang D7/354
D923,386 S * 6/2021 Lin D7/354
D932,232 S * 10/2021 Yang D7/354
D933,415 S * 10/2021 Yang D7/354
D934,021 S * 10/2021 Luo D7/354
D938,218 S * 12/2021 Dubeau D7/354
2015/0122137 A1 * 5/2015 Chang A47J 37/0641
220/573.1

OTHER PUBLICATIONS

Kobi Air Fryer. Date First Available on Amazon.com Jul. 16, 2020.
<https://www.amazon.com/dp/B08D55RCH2/ref> (Year: 2020).*

* cited by examiner

Primary Examiner — Ricky Pham
(74) *Attorney, Agent, or Firm* — McClure, Qualey &
Rodack, LLP

(57) **CLAIM**

The ornamental design for an air fryer, as shown and described.

DESCRIPTION

FIG. 1 is a perspective view of an air fryer;
FIG. 2 is a front elevational view thereof;
FIG. 3 is a rear elevational view thereof;
FIG. 4 is a left side elevational view thereof;
FIG. 5 is a right side elevational view thereof;
FIG. 6 is a top plan view thereof;
FIG. 7 is a bottom plan view thereof; and,
FIG. 8 is another perspective view showing the air fryer.

1 Claim, 8 Drawing Sheets

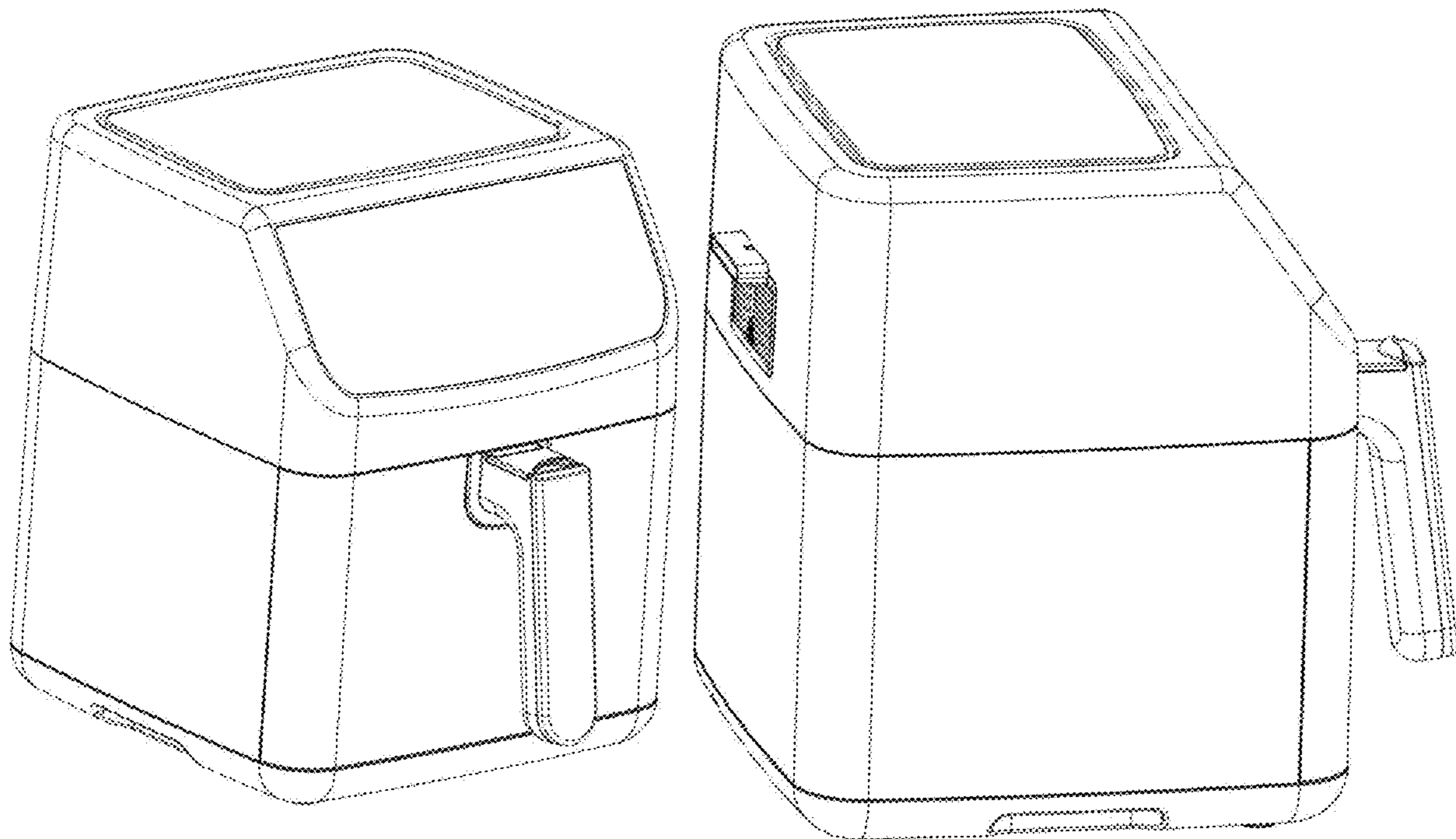




Figure 1

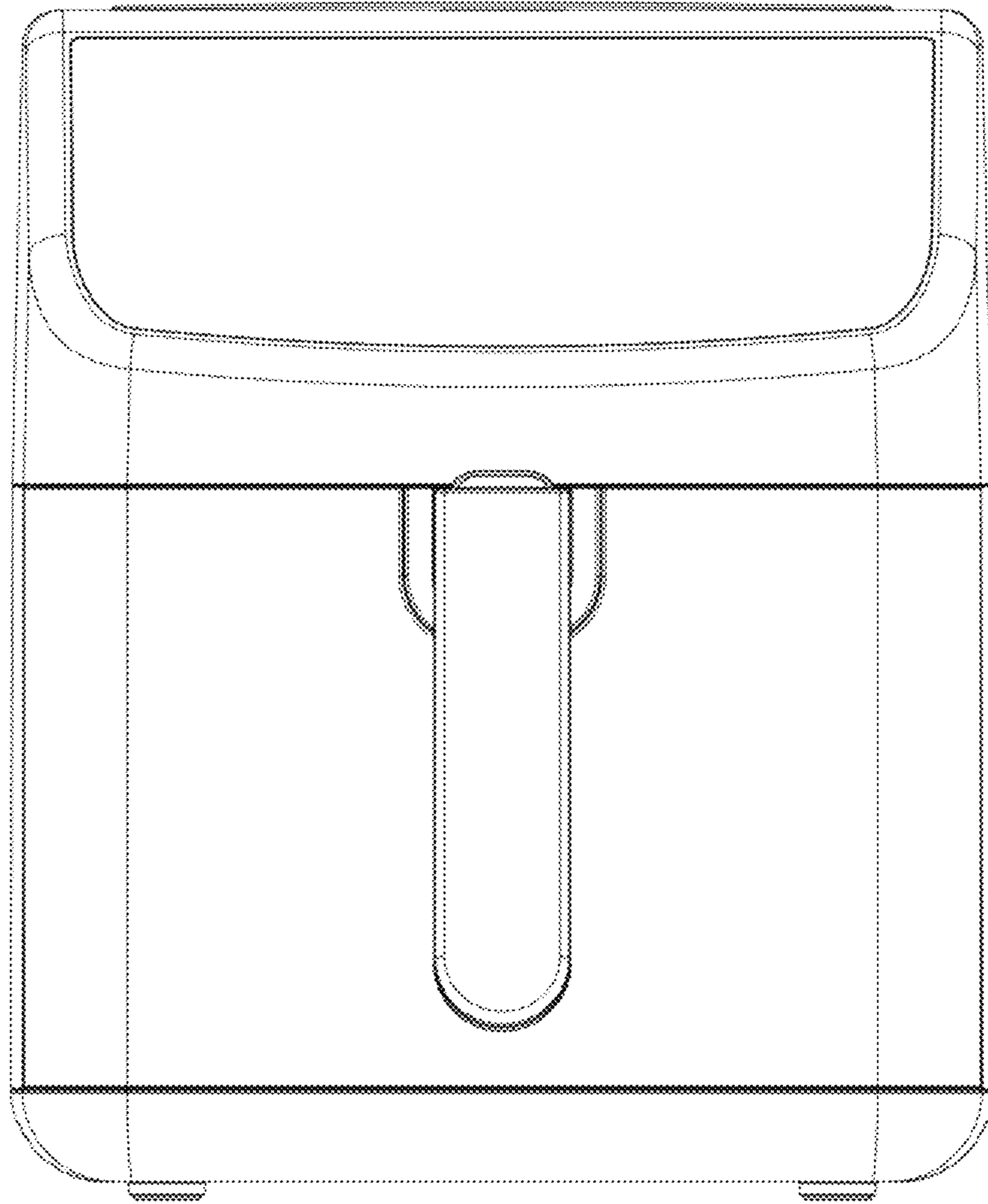


Figure 2

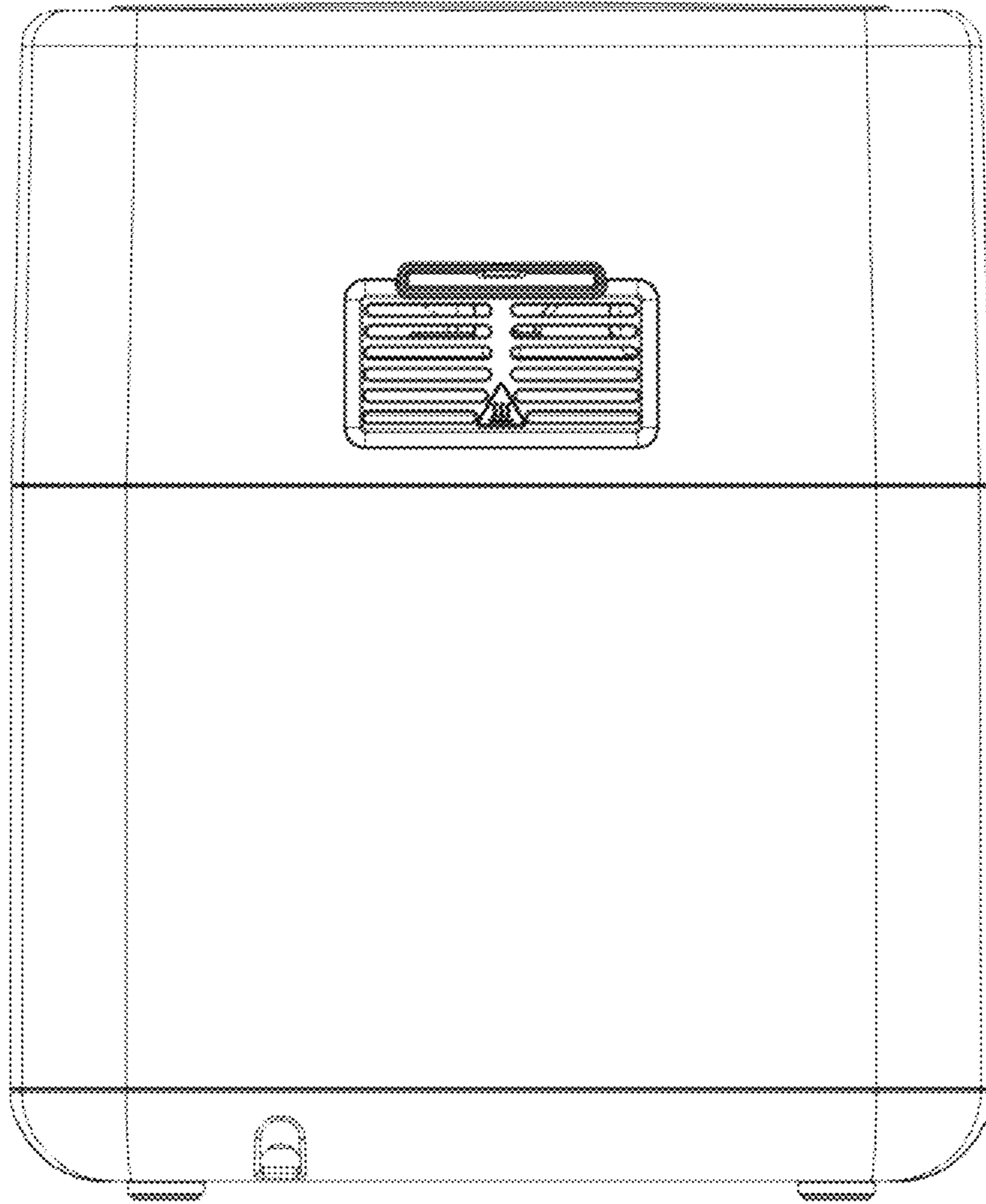


Figure 3

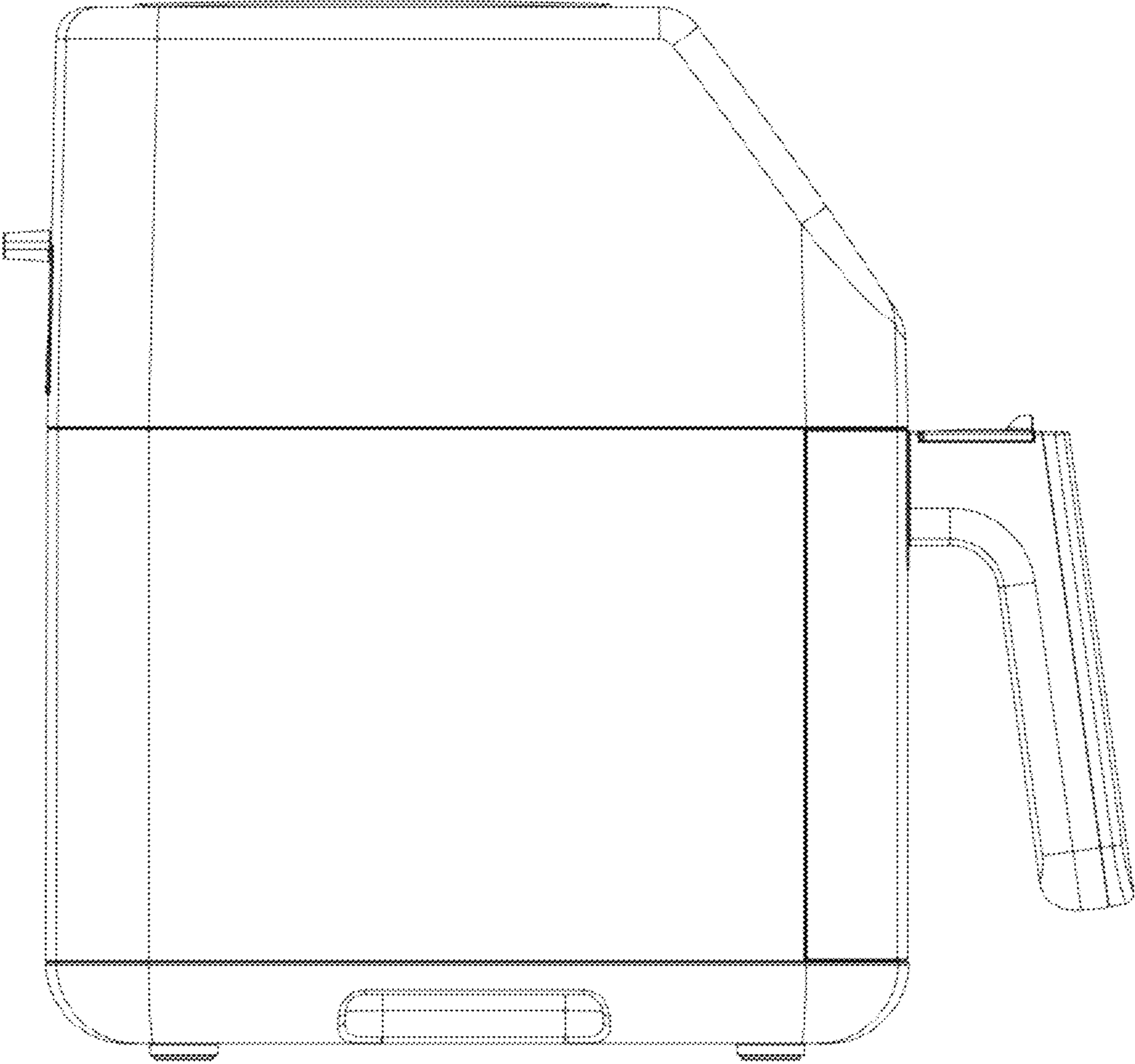


Figure 4

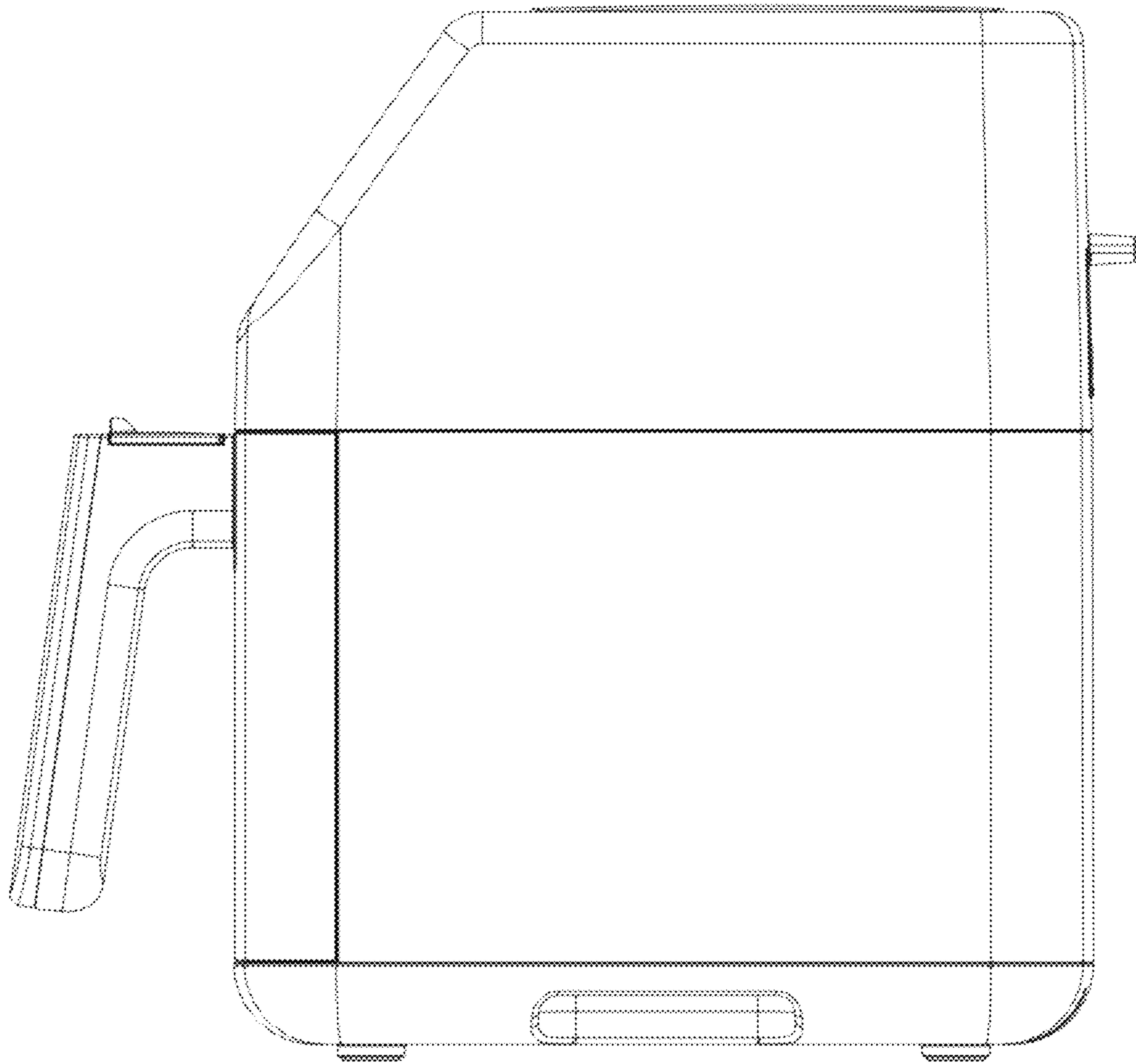


Figure 5

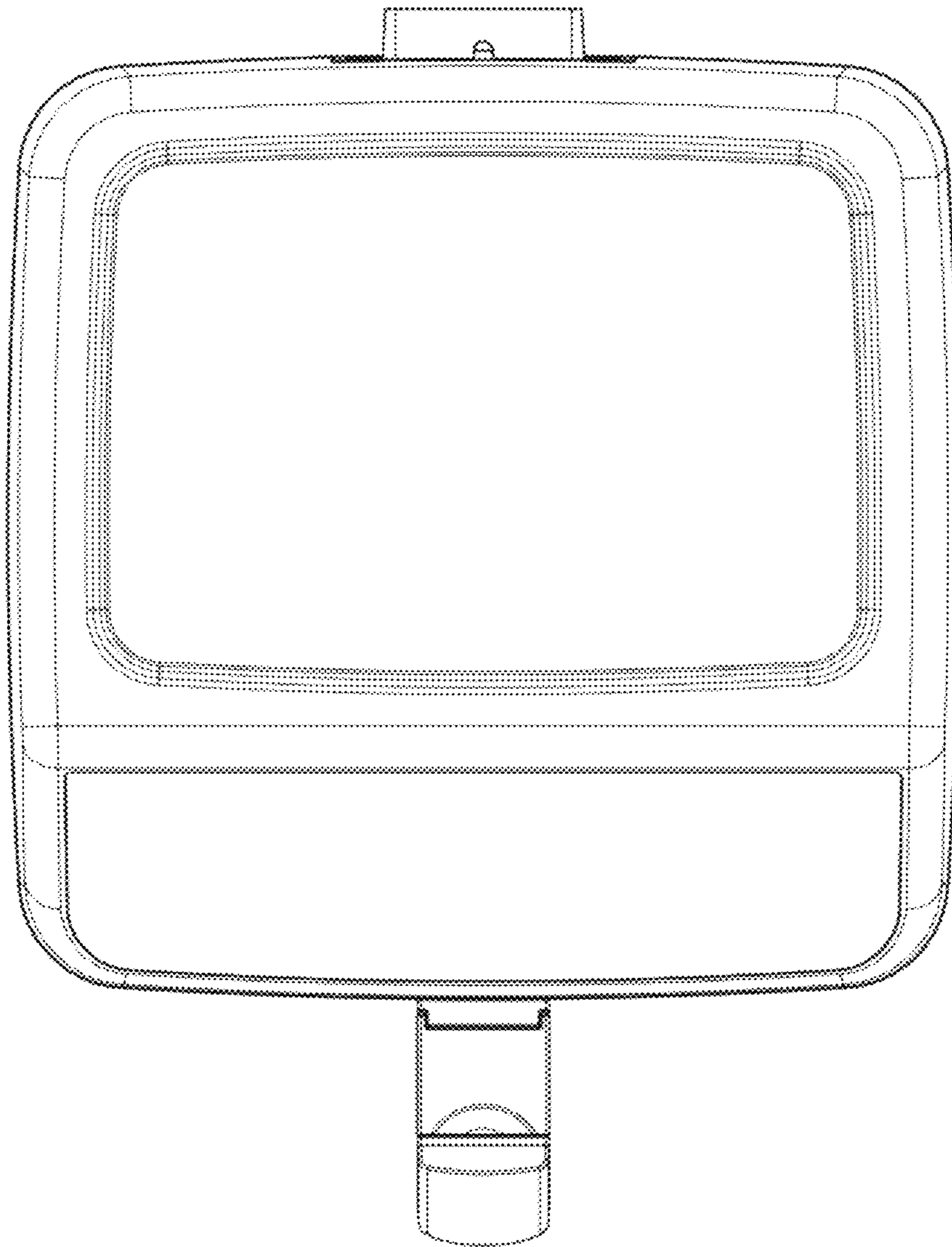


Figure 6

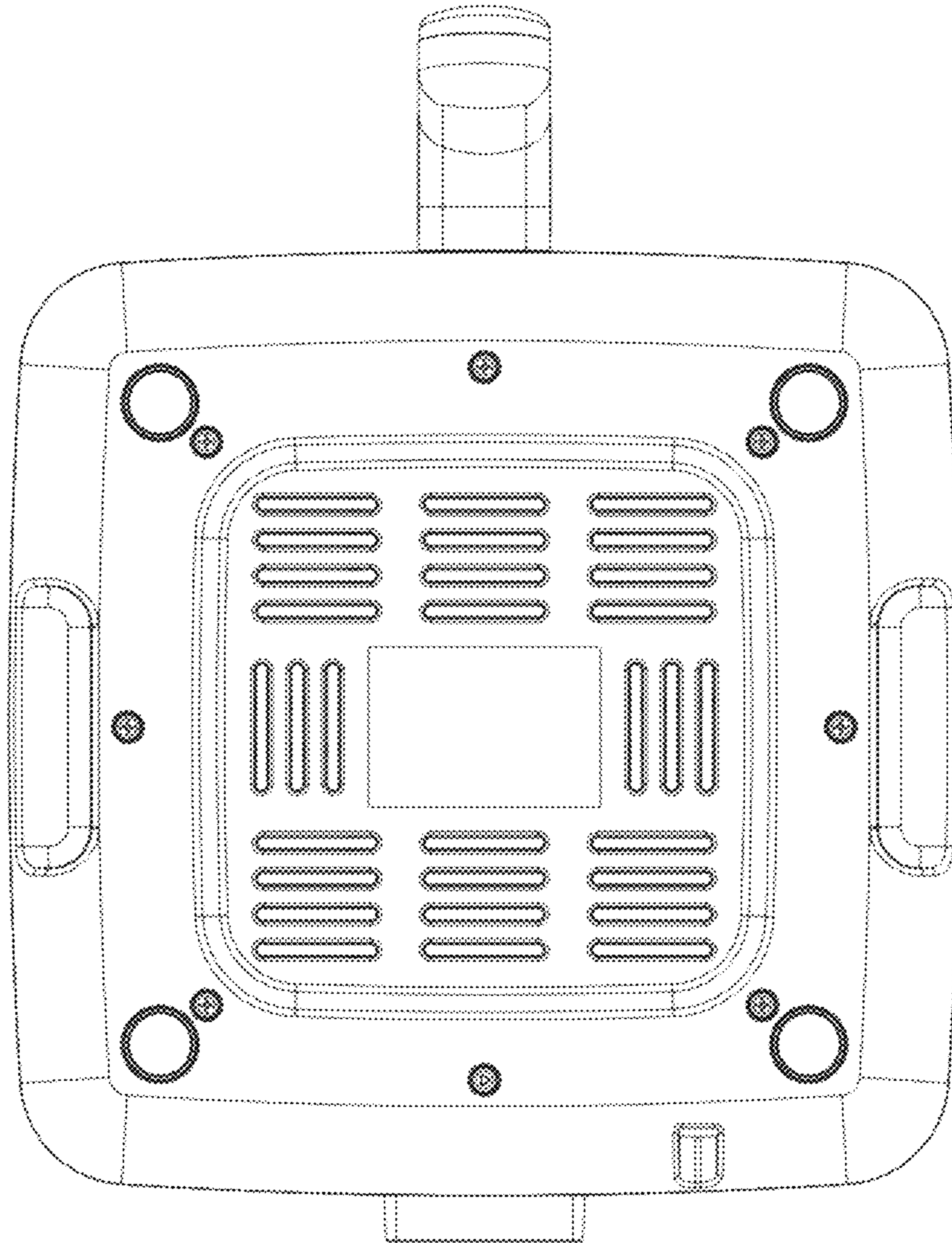


Figure 7

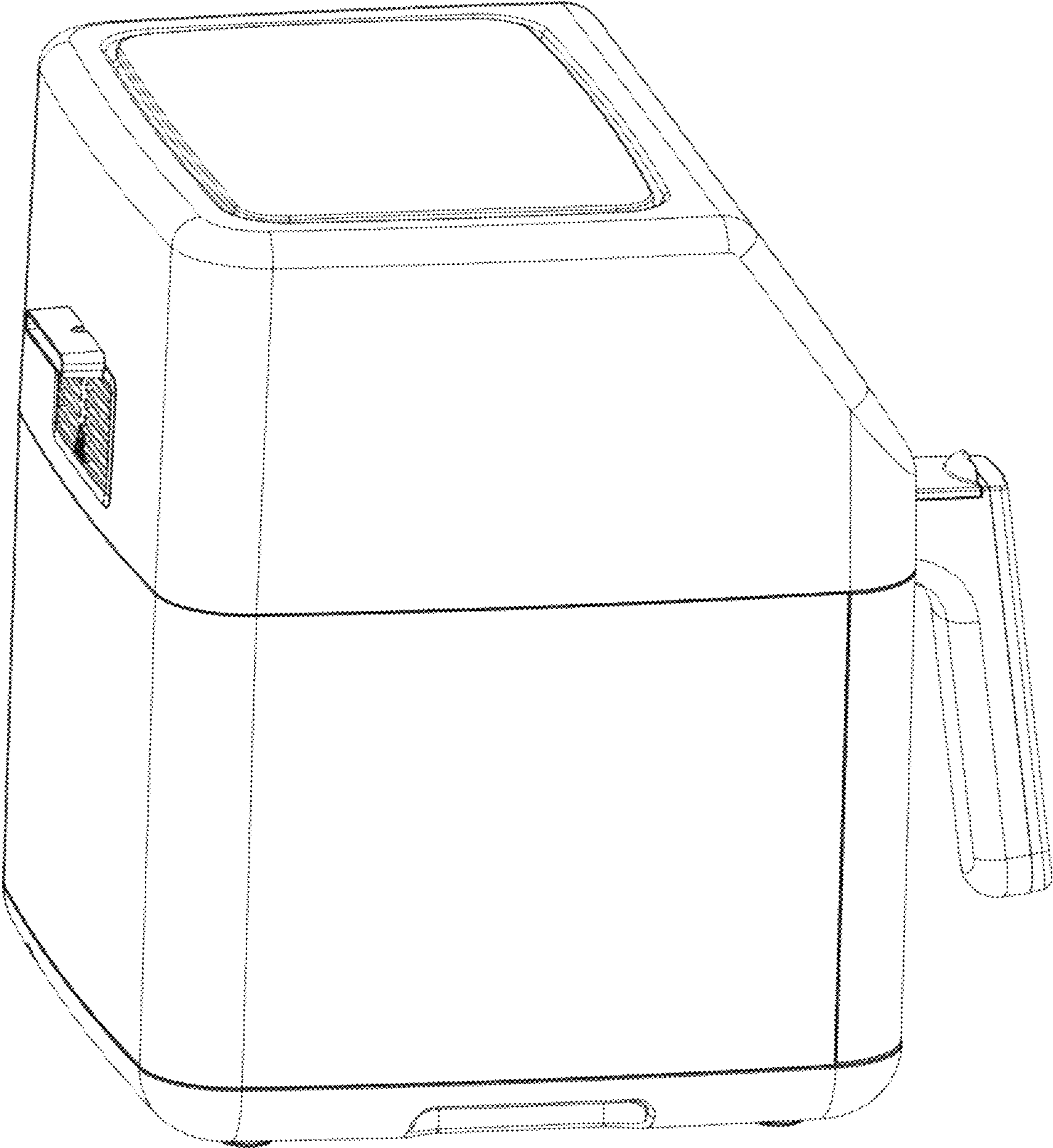


Figure 8