



US00D972875S

(12) **United States Design Patent**
Bodman

(10) **Patent No.:** **US D972,875 S**

(45) **Date of Patent:** **** Dec. 20, 2022**

(54) **UNITARY SWIVEL**

(71) Applicant: **MOBB HEALTH CARE LTD CORPORATION**, Concord (CA)

(72) Inventor: **Moshe Bodman**, Toronto (CA)

(73) Assignee: **Mobb Health Care Ltd Corporation**

(**) Term: **15 Years**

(21) Appl. No.: **29/754,307**

(22) Filed: **Oct. 9, 2020**

(51) **LOC (13) Cl.** **06-06**

(52) **U.S. Cl.**
USPC **D6/716.1**

(58) **Field of Classification Search**

USPC D6/334-336, 349, 371, 372, 373, 374,
D6/376, 377, 379, 380, 716, 716.1, 716.2,
D6/716.3, 716.7; D23/303, 304
CPC A47C 4/03; A47C 4/18; A47C 4/20; A47C
5/12; A47C 3/38; A47C 1/04; A47C 5/00;
A47C 7/02; A47C 15/00; A47C 3/023;
A47C 1/14; A47C 3/18; A47C 3/185;
A47C 4/42; A47C 7/54; A47C 7/546;
A47K 3/12; A47K 3/122; A47K 3/282;
B60N 2/10; B60N 2/14; B60N 2/146

See application file for complete search history.

(56) **References Cited**

U.S. PATENT DOCUMENTS

2,726,907 A * 12/1955 Krauss A47C 3/18
384/615
3,389,936 A * 6/1968 Drabert A47C 7/029
D6/716.1
3,405,411 A 10/1968 Brown
(Continued)

FOREIGN PATENT DOCUMENTS

DE 10136218 5/2003
DE 202021100919 U1 * 5/2021 A47C 3/18
JP 2006109893 4/2006

OTHER PUBLICATIONS

MOBB Premium Bathroom Swivel Shower Chair Bath Bench with Back, 360 Degree Swivel Seat with Locking Mechanism , from walmart.com, Retrieved Date: Apr. 26, 2022, pp. 1-2, from https://www.walmart.com/ip/MOBB-Premium-Bathroom-Swivel-Shower-Chair-Bath-Bench-with-Back-360-Degree-Swivel-Seat-with-Locking-Mechanism/700860088 (Year: 2022).*

Primary Examiner — Mimoso De

(74) *Attorney, Agent, or Firm* — Greg M. Popowitz;
Assouline & Berlowe, P.A

(57) **CLAIM**

The ornamental design for a unitary swivel, as shown and described.

DESCRIPTION

FIG. 1 is a front perspective view of a first embodiment of a unitary swivel.

FIG. 2 is a rear perspective view thereof.

FIG. 3 is a top view thereof.

FIG. 4 is a bottom view thereof.

FIG. 5 is a left side view thereof.

FIG. 6 is a right side view thereof.

FIG. 7 is a front view thereof.

FIG. 8 is a back view thereof.

FIG. 9 is a front perspective view of a second embodiment of a unitary swivel.

FIG. 10 is a rear perspective view thereof.

FIG. 11 is a top view thereof.

FIG. 12 is a bottom view thereof.

FIG. 13 is a left side view thereof.

FIG. 14 is a right side view thereof.

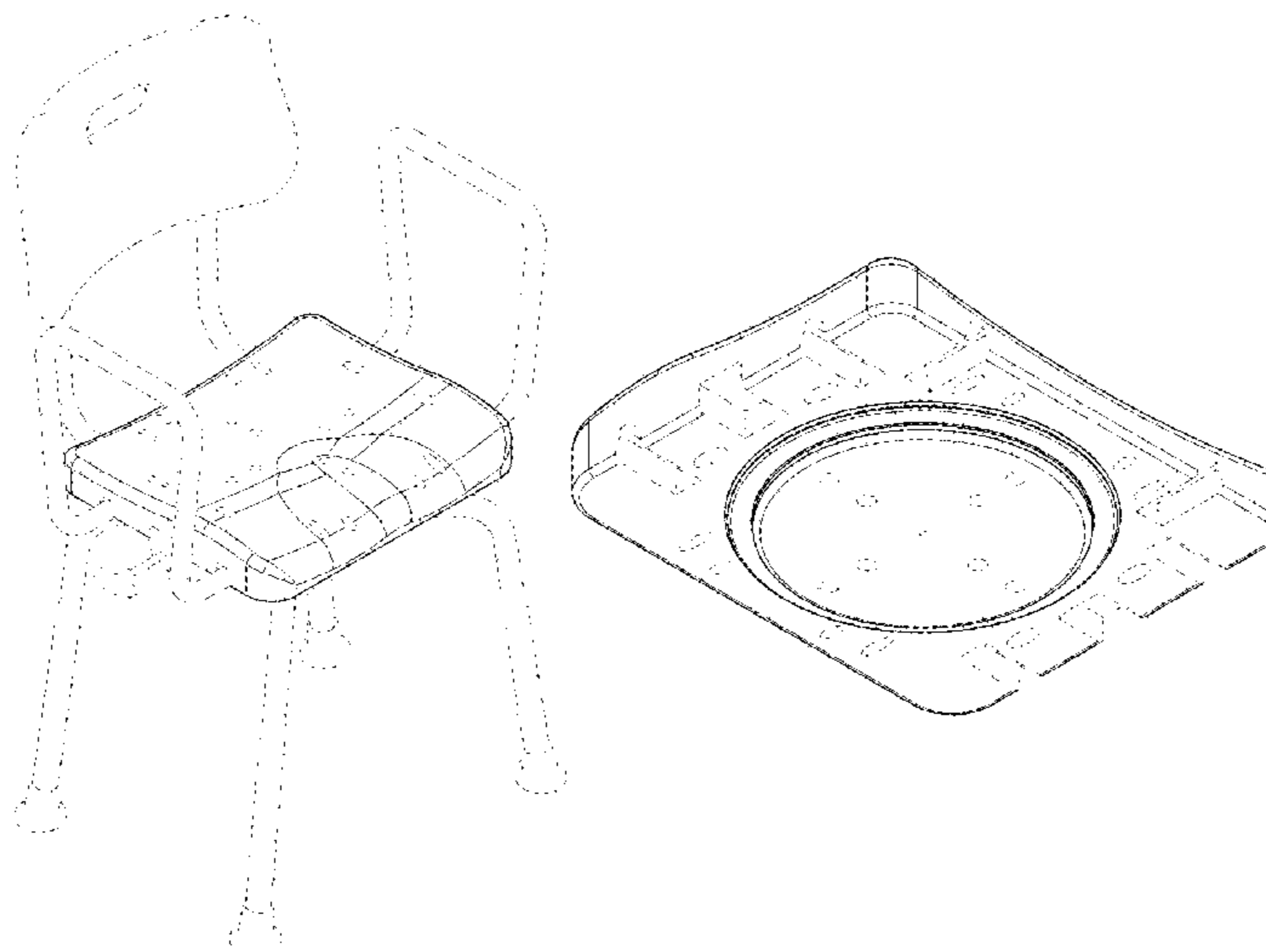
FIG. 15 is a front view thereof; and,

FIG. 16 is a back view thereof.

The illustrative broken lines depict environmental subject matter that form no part of the present claimed design.

FIGS. 2-8 and 10-16 are shown in enlarged scale, without environmental structure for ease of illustration.

1 Claim, 12 Drawing Sheets



(56)

References Cited

U.S. PATENT DOCUMENTS

3,574,242 A 4/1971 Trowbridge
 3,969,778 A 7/1976 Richards
 4,196,480 A 4/1980 Guenther et al.
 4,343,052 A 8/1982 Guenther
 4,715,069 A 12/1987 James
 4,824,170 A 4/1989 Goldmeier
 4,882,791 A 11/1989 Kimes
 4,971,392 A 11/1990 Young
 D319,303 S 8/1991 Barrett, Sr.
 5,078,451 A 1/1992 Sobel
 D336,682 S 6/1993 Francke et al.
 5,479,668 A 1/1996 Cooper
 D367,789 S * 3/1996 Barile D6/716.1
 6,021,989 A * 2/2000 Morita B60N 2/143
 297/344.26
 D439,429 S * 3/2001 Higgs A47K 3/122
 D6/374
 6,212,695 B1 4/2001 Arduini
 6,302,483 B1 10/2001 Ricaud
 6,349,423 B1 2/2002 Kelleher
 RE37,927 E 12/2002 Fitch
 D478,750 S * 8/2003 Gilbert D6/374
 D478,752 S * 8/2003 Gilbert D6/716.1
 D479,067 S * 9/2003 Gilbert D6/716.1
 6,890,033 B1 5/2005 Casella
 D526,135 S 8/2006 Murphy
 D544,235 S 6/2007 Chen
 D574,636 S * 8/2008 Peng D6/716.7

D622,974 S 9/2010 Igarashi
 D666,435 S * 9/2012 Meyers D6/716
 8,402,572 B2 3/2013 Herasimtschuk
 9,072,384 B2 7/2015 Saint Pierre
 9,375,090 B2 6/2016 Gambino
 9,623,769 B1 * 4/2017 Roeglin B60N 2/146
 D799,702 S 10/2017 Wong
 D800,319 S 10/2017 Wong
 D812,389 S * 3/2018 Pong D6/374
 D817,019 S 5/2018 Borrelli
 D867,779 S * 11/2019 Chang D6/374
 D878,794 S * 3/2020 Preece D6/377
 2002/0117878 A1 8/2002 Fox
 2004/0070238 A1 * 4/2004 Moser A47K 3/282
 297/183.9
 2005/0179304 A1 * 8/2005 Serhan A47K 3/282
 297/440.24
 2008/0136244 A1 * 6/2008 Cheng A47C 7/546
 297/411.26
 2009/0140564 A1 6/2009 Tseng
 2009/0193576 A1 * 8/2009 Hsiao A47K 3/122
 4/578.1
 2013/0022482 A1 1/2013 Schober
 2014/0252824 A1 9/2014 Saint Pierre
 2016/0183735 A1 * 6/2016 Liu A47K 3/122
 297/452.1
 2020/0085243 A1 * 3/2020 Lin A47K 3/122
 2022/0095849 A1 * 3/2022 Smith A47K 3/282
 2022/0117445 A1 * 4/2022 Lin A61G 7/1034

* cited by examiner

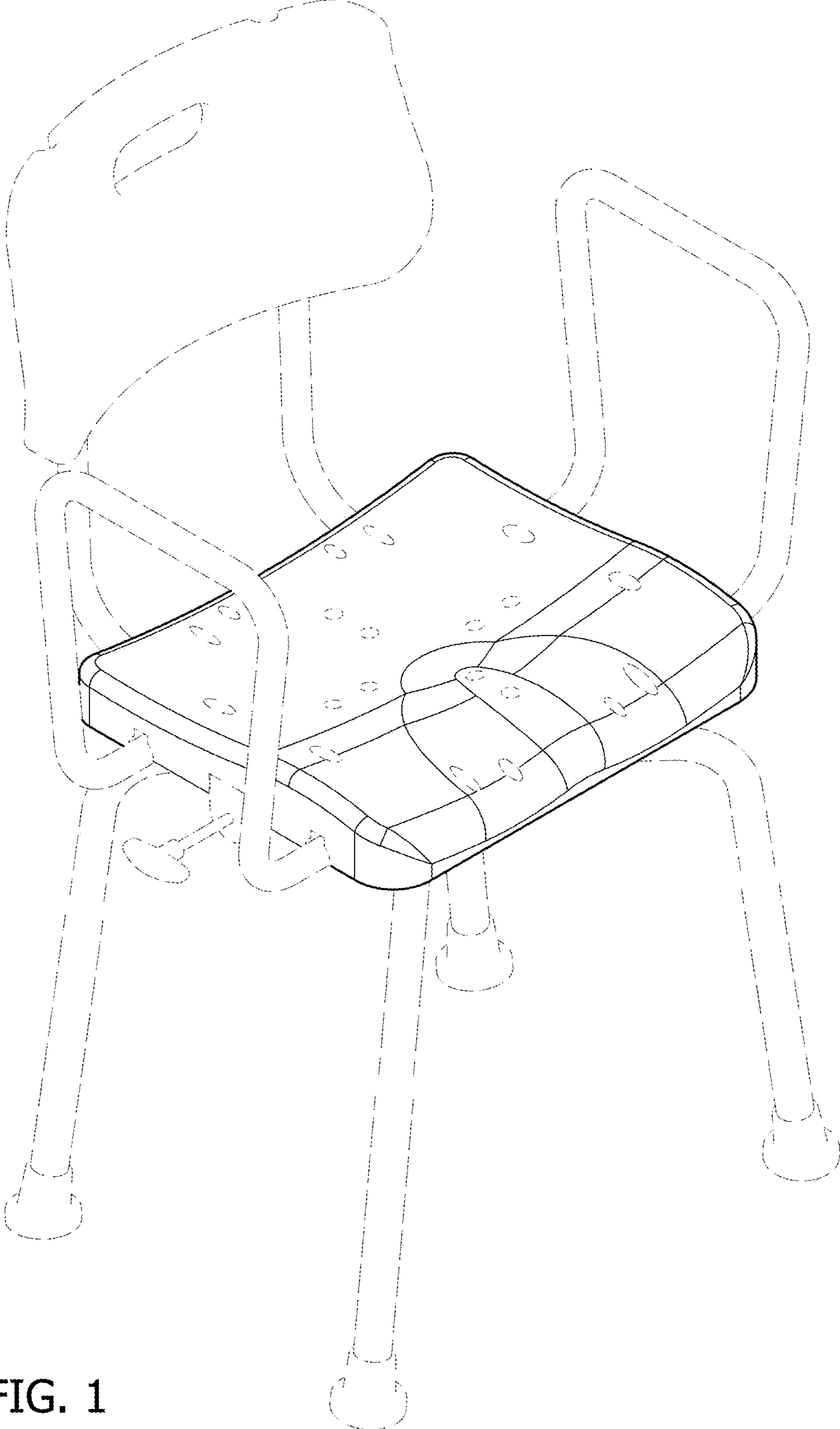


FIG. 1

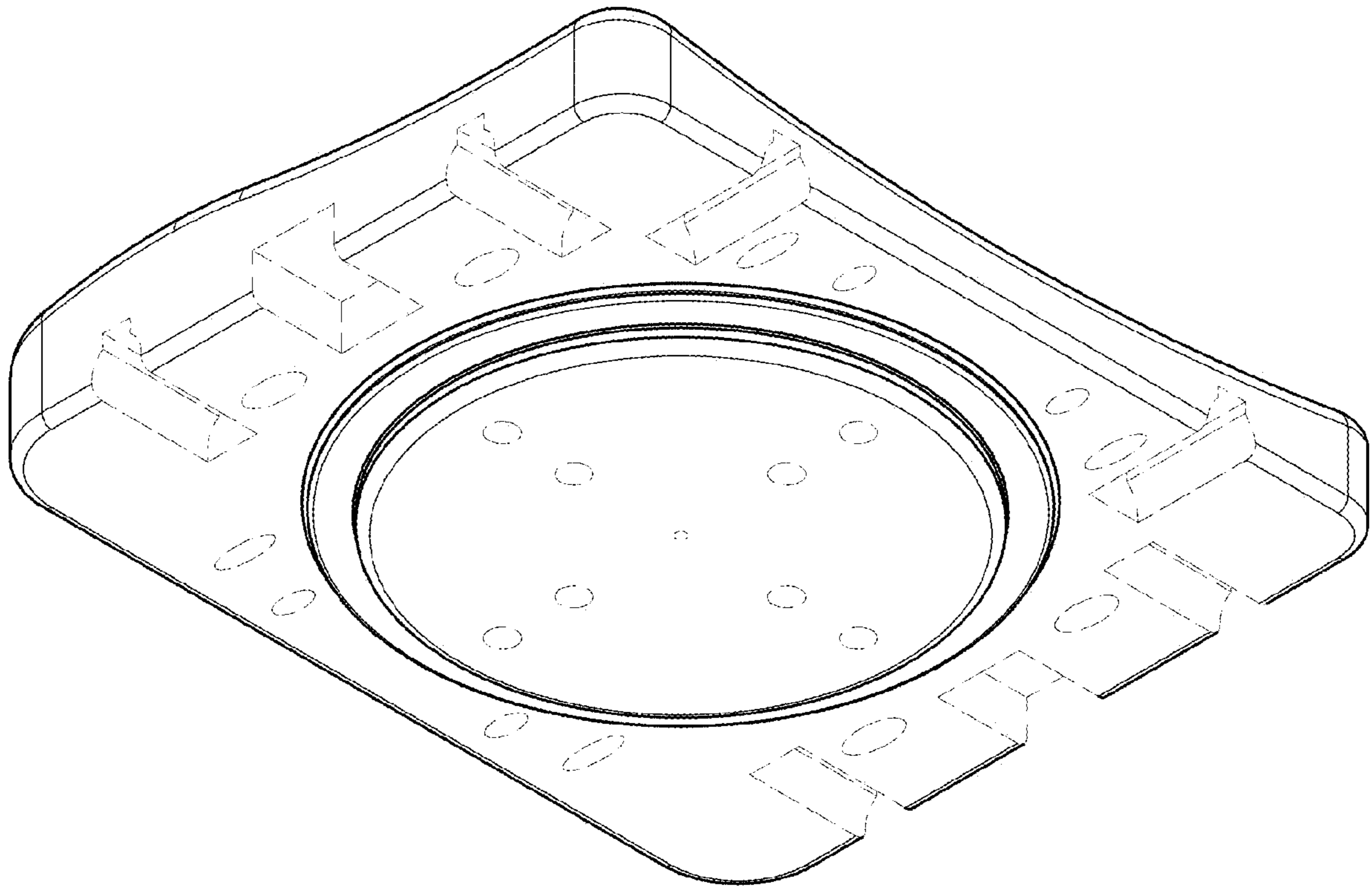


FIG. 2

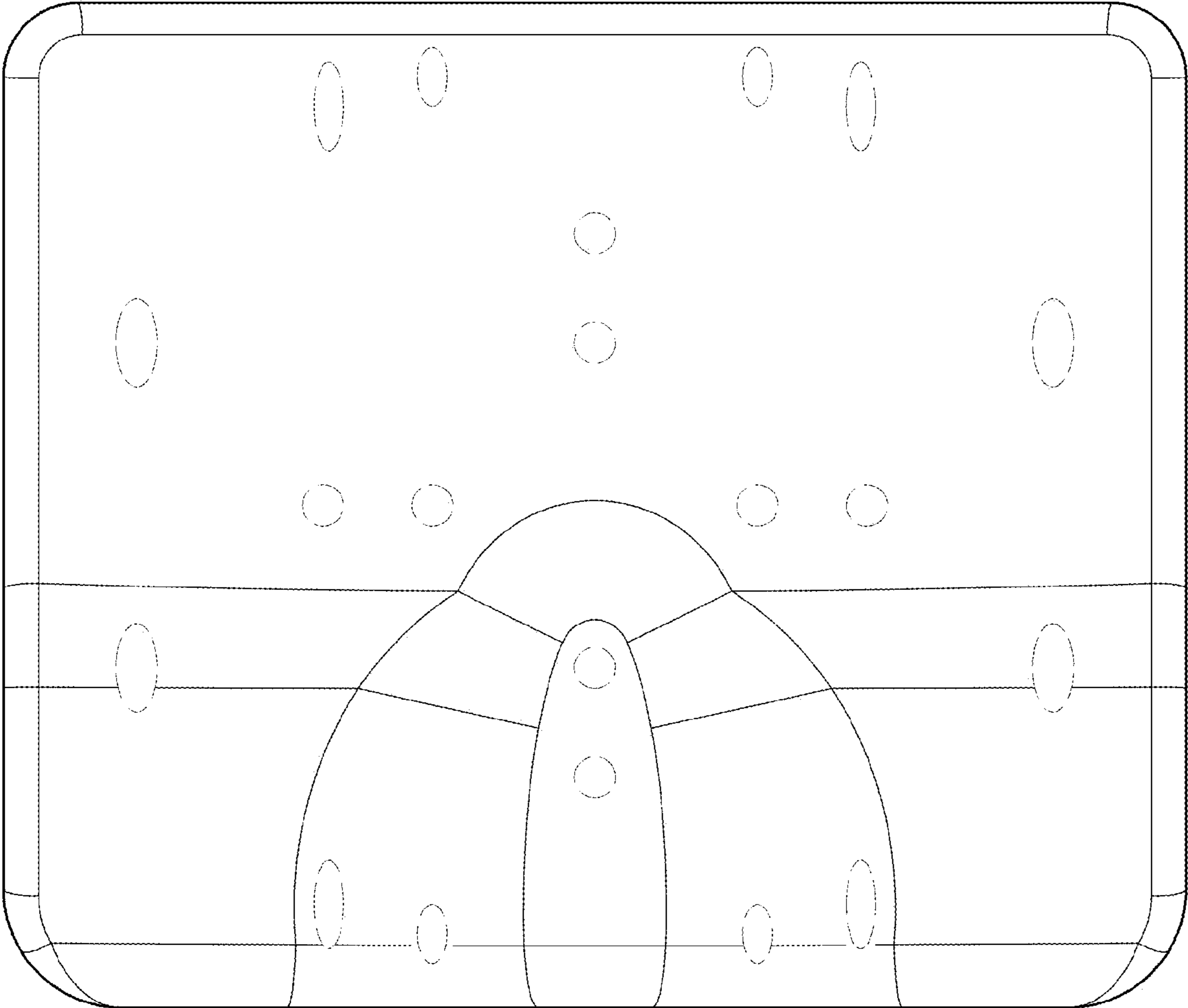


FIG. 3

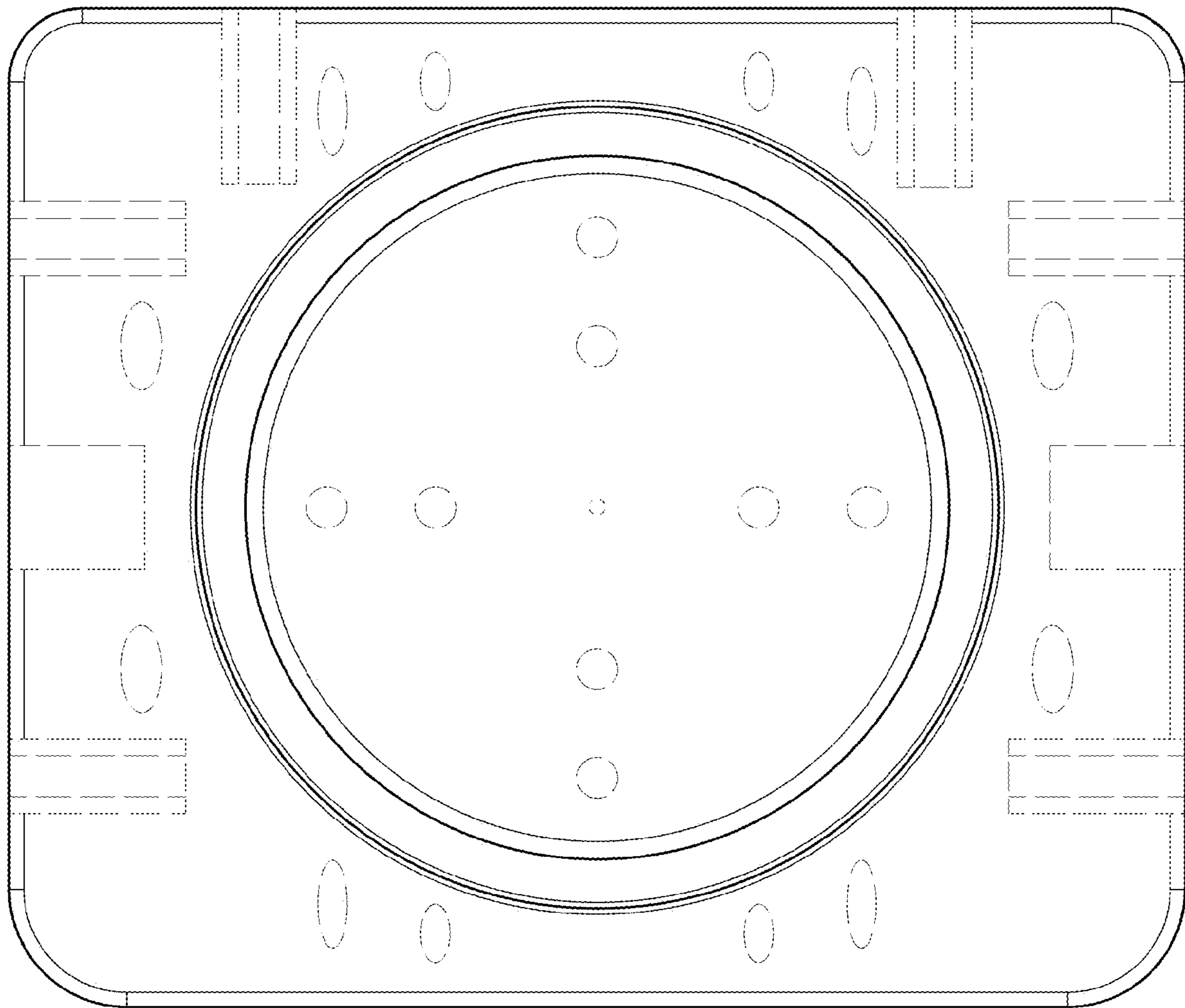


FIG. 4

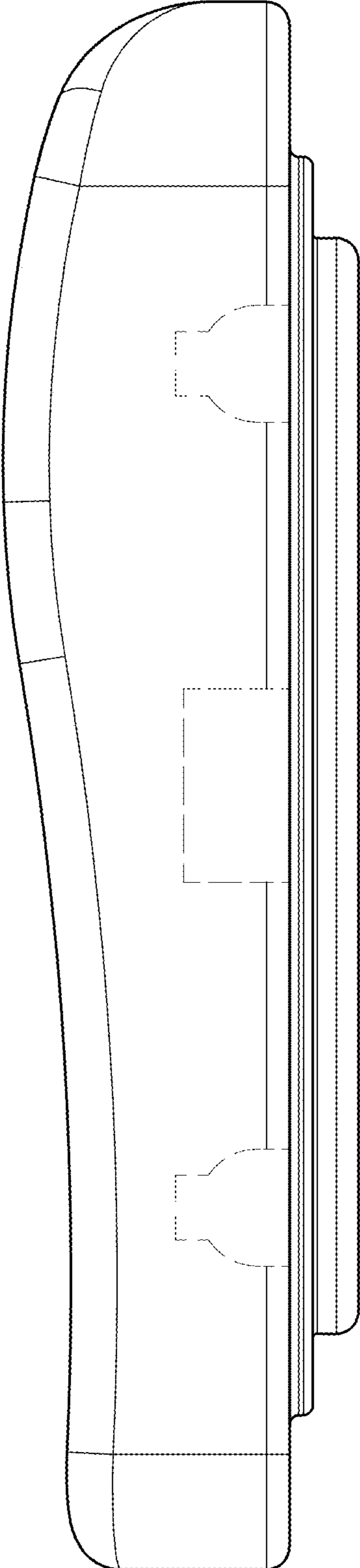


FIG. 5

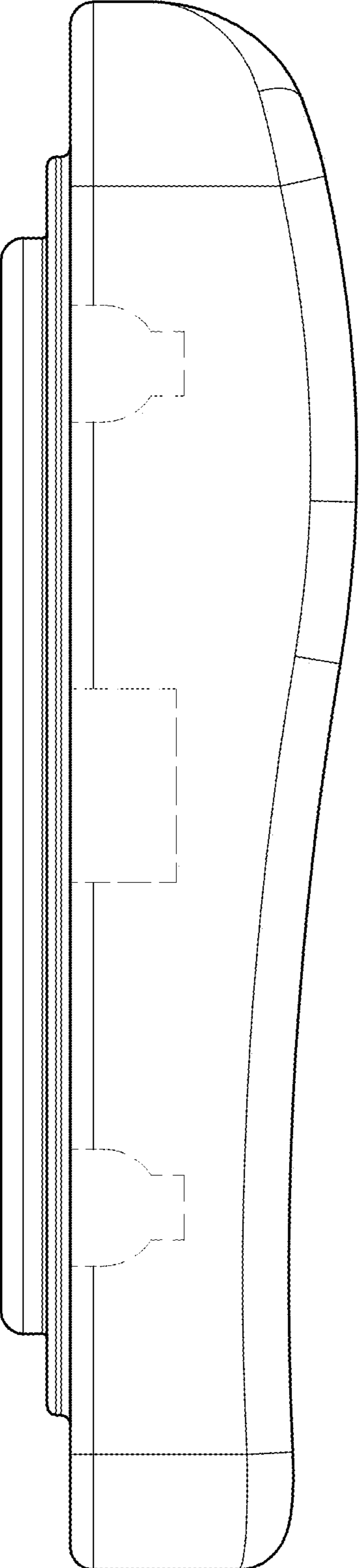


FIG. 6

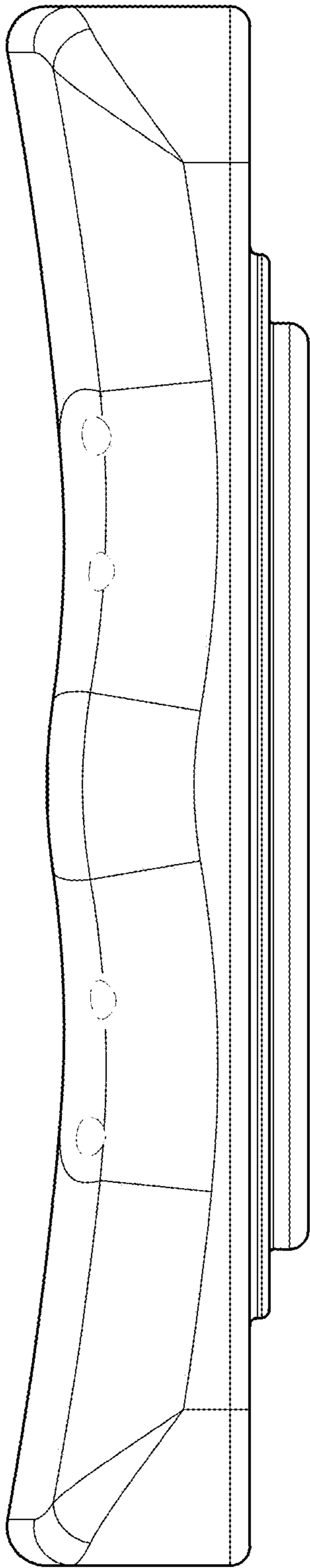


FIG. 7

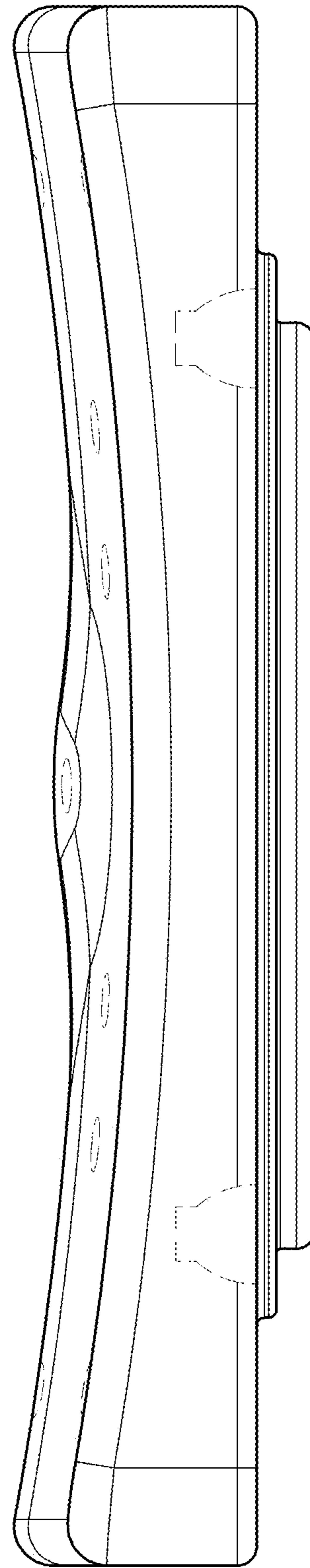


FIG. 8

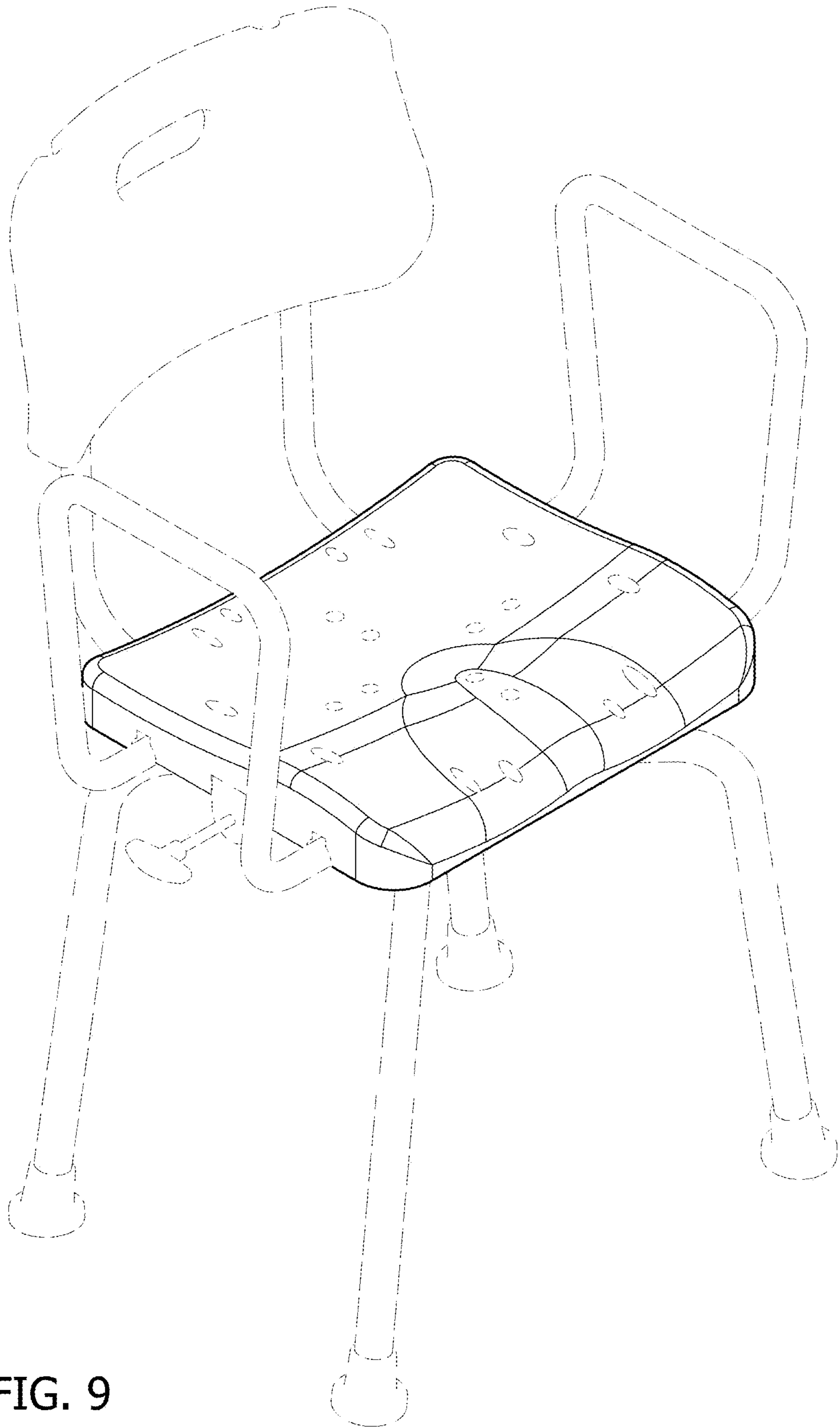


FIG. 9

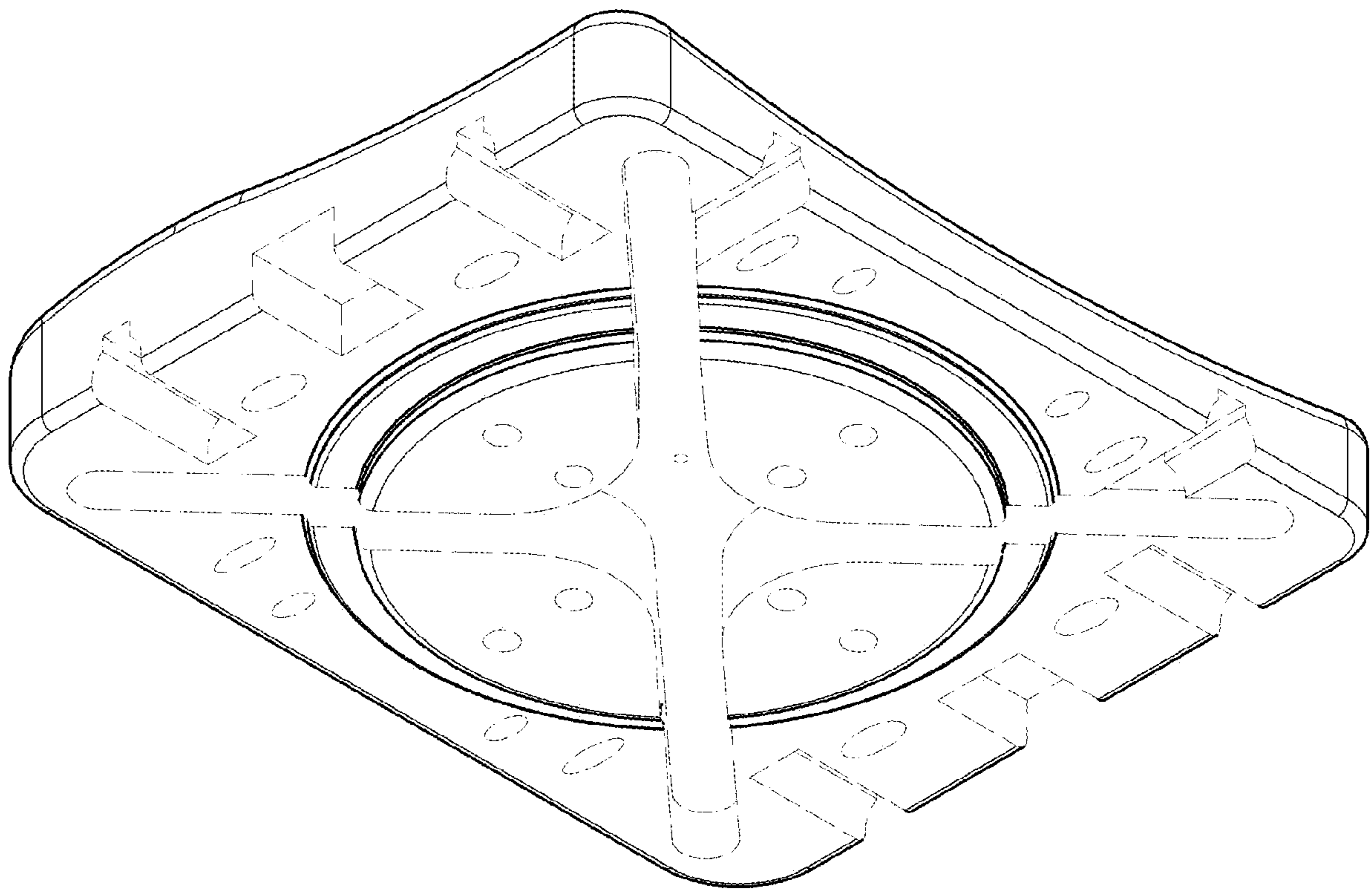


FIG. 10

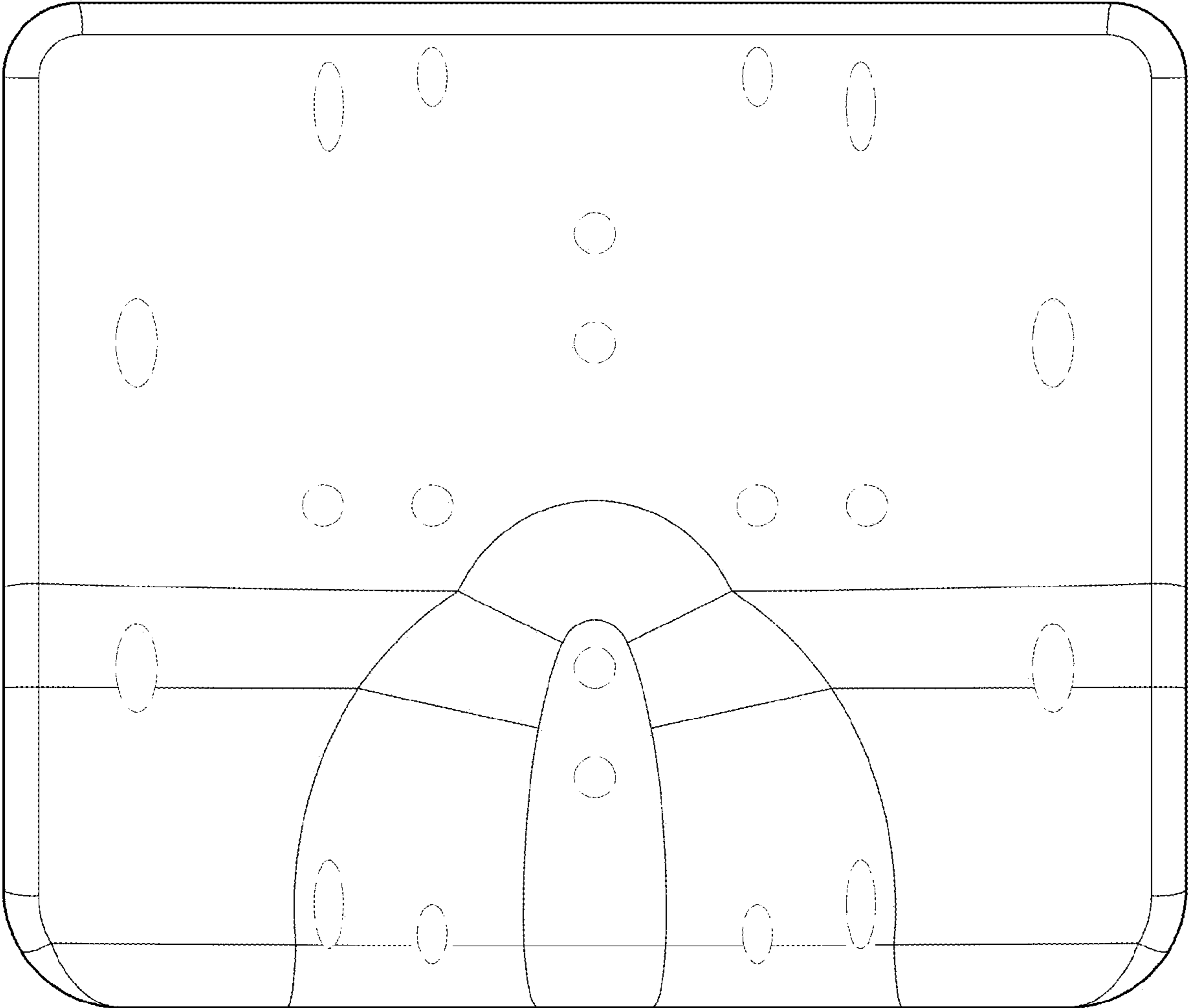


FIG. 11

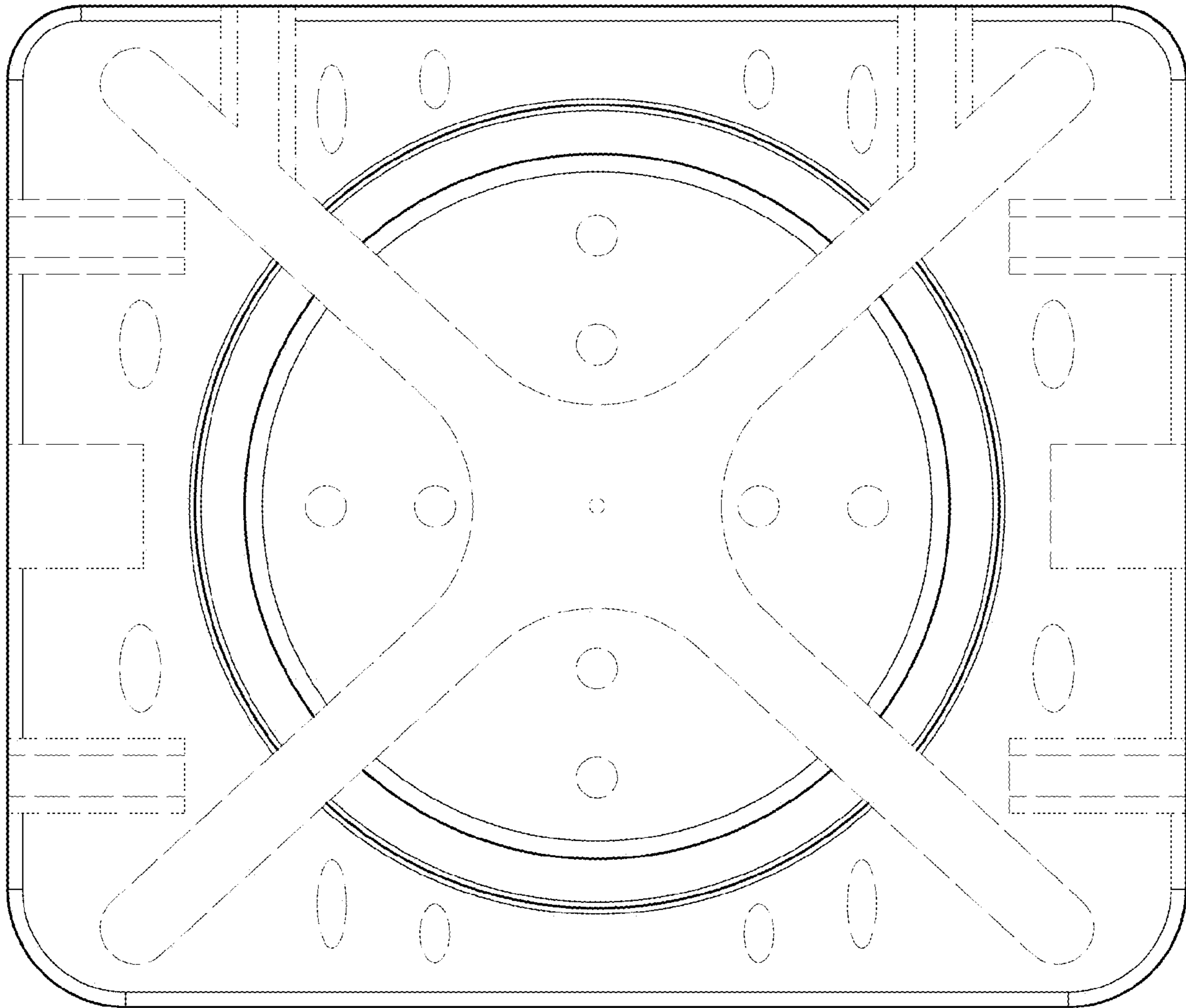


FIG. 12

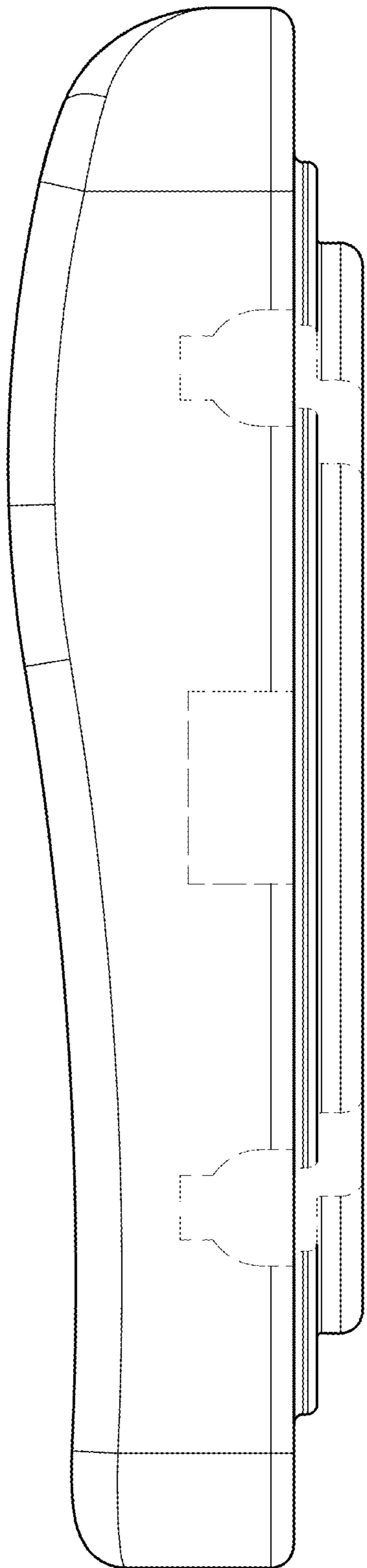


FIG. 13

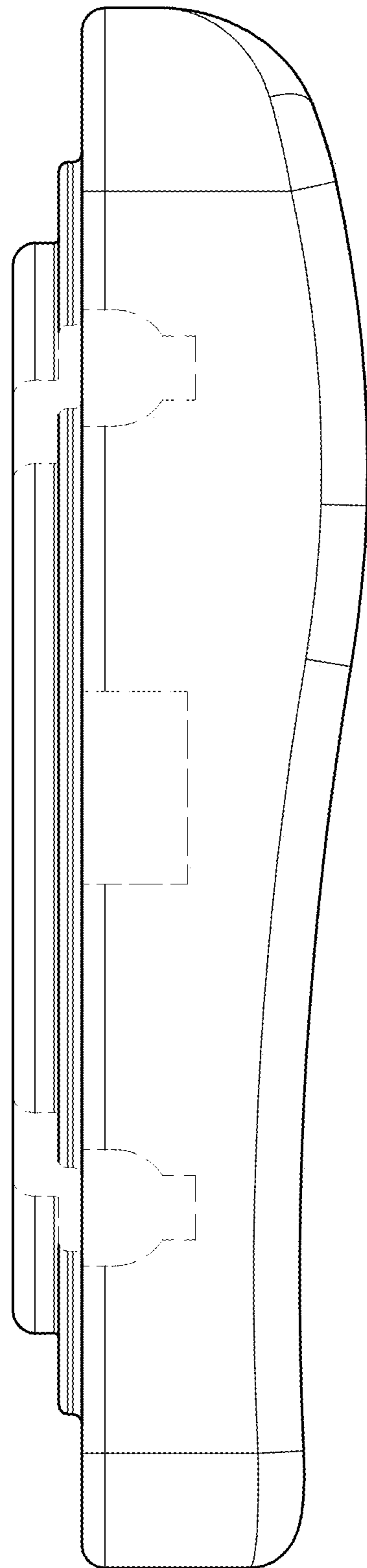


FIG. 14

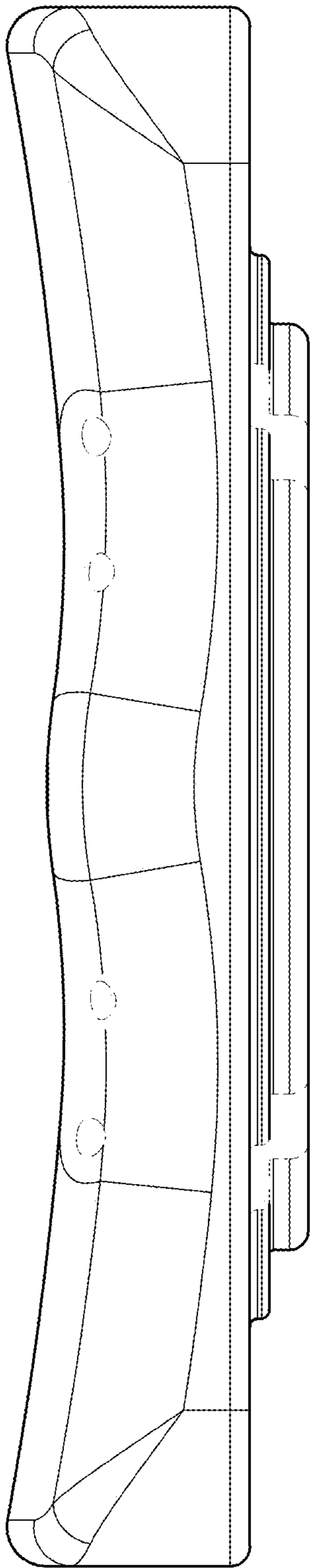


FIG. 15

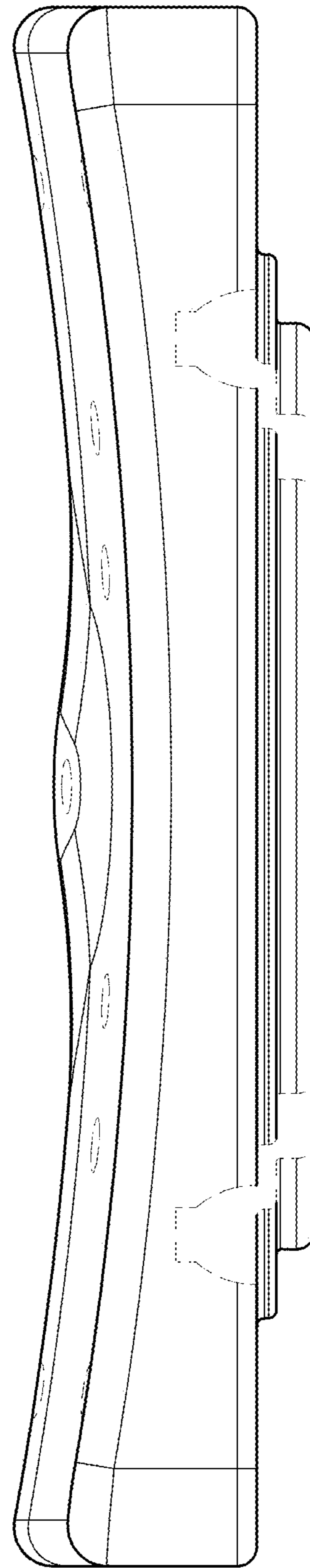


FIG. 16