



US00D972874S

(12) **United States Design Patent** (10) **Patent No.:** **US D972,874 S**  
**Anderson et al.** (45) **Date of Patent:** **\*\* Dec. 20, 2022**

(54) **CHAIR**

- (71) Applicant: **LIFETIME PRODUCTS, INC.**,  
Clearfield, UT (US)
- (72) Inventors: **McKay Anderson**, Clearfield, UT (US);  
**Sharon Jones**, Clearfield, UT (US);  
**Jacob Kearl**, Plain City, UT (US)
- (73) Assignee: **LIFETIME PRODUCTS, INC.**,  
Clearfield, UT (US)
- (\*\*) Term: **15 Years**
- (21) Appl. No.: **29/727,211**
- (22) Filed: **Mar. 9, 2020**
- (51) **LOC (13) Cl.** ..... **06-06**
- (52) **U.S. Cl.**  
USPC ..... **D6/716; D6/374**
- (58) **Field of Classification Search**  
USPC ..... D6/334-336, 371, 372, 373, 374, 376,  
D6/379, 380, 716, 716.1, 716.4  
CPC .... A47C 3/04; A47C 3/12; A47C 4/02; A47C  
4/03; A47C 5/02; A47C 5/04; A47C  
4/024; A47C 4/027; A47C 4/028; A47C  
5/12; A47C 7/16; A47C 7/18; A47C 7/24  
See application file for complete search history.

(56) **References Cited**

**U.S. PATENT DOCUMENTS**

D411,772 S *	7/1999	Piretti	.....	D6/374
D443,429 S	6/2001	Mower		
D466,712 S	12/2002	Haney		
D472,064 S	3/2003	Haney		
D472,723 S	4/2003	Haney		
D472,745 S	4/2003	Haney		
D473,059 S	4/2003	Haney		
6,543,842 B2	4/2003	Haney		
D477,470 S	7/2003	Haney		
D477,926 S	8/2003	Haney		

(Continued)

**OTHER PUBLICATIONS**

Mid-Century Modern Bentwood Faux Leather Dining Chair, Set of 2, houzz.com, Retrieved Date: Jul. 19, 2022, pp. 1 and 2, from [https://www.houzz.com/products/mid-century-modern-bentwood-faux-leather-dining-chair-set-of-2-black-prvw-vr-188112011?mrefid=PLA\\_HZ\\_188112011\\_17540098681&device=c&nw=x&gclid=EAlalQobChMI5Nr2tdyF-QIV-ciUCR0eUQDIEAkYAiABEgJio\\_D\\_BwE](https://www.houzz.com/products/mid-century-modern-bentwood-faux-leather-dining-chair-set-of-2-black-prvw-vr-188112011?mrefid=PLA_HZ_188112011_17540098681&device=c&nw=x&gclid=EAlalQobChMI5Nr2tdyF-QIV-ciUCR0eUQDIEAkYAiABEgJio_D_BwE) (Year: 2022).\*

(Continued)

*Primary Examiner* — Mimosa De

(74) *Attorney, Agent, or Firm* — Maschoff Brennan

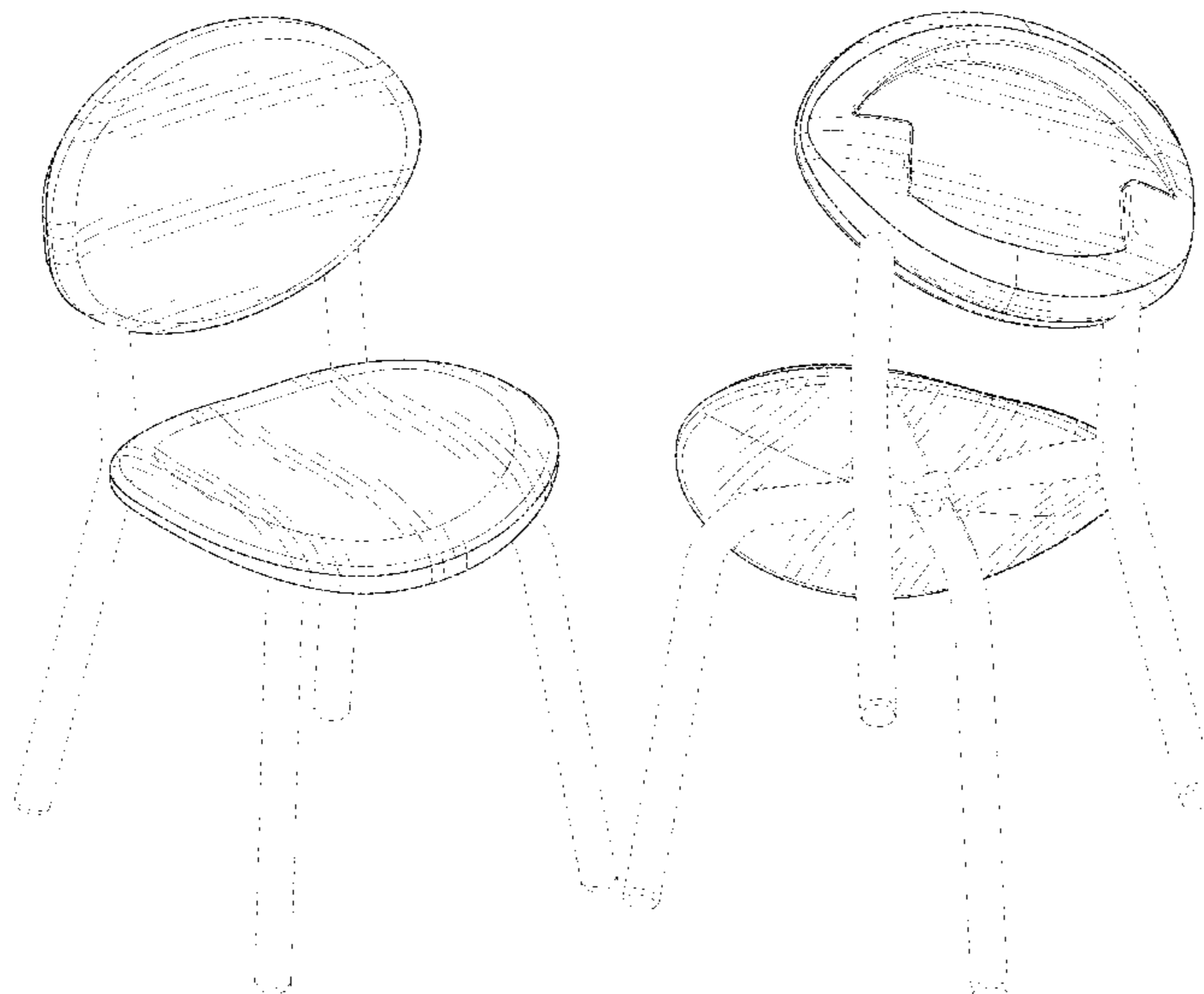
(57) **CLAIM**

The ornamental design for a chair, as shown and described.

**DESCRIPTION**

FIG. 1 is an upper perspective view of a first embodiment of a chair;  
 FIG. 2 is a lower perspective view of the chair shown in FIG. 1;  
 FIG. 3 is a front view of the chair shown in FIG. 1;  
 FIG. 4 is a rear view of the chair shown in FIG. 1;  
 FIG. 5 is left-side view of the chair shown in FIG. 1;  
 FIG. 6 is a right-side view of the chair shown in FIG. 1;  
 FIG. 7 is a top view of the chair shown in FIG. 1;  
 FIG. 8 is a bottom view of the chair shown in FIG. 1;  
 FIG. 9 is an upper perspective view of a second embodiment of a chair;  
 FIG. 10 is a lower perspective view of the chair shown in FIG. 9;  
 FIG. 11 is a front view of the chair shown in FIG. 9;  
 FIG. 12 is a rear view of the chair shown in FIG. 9;  
 FIG. 13 is left-side view of the chair shown in FIG. 9;  
 FIG. 14 is a right-side view of the chair shown in FIG. 9;  
 FIG. 15 is a top view of the chair shown in FIG. 9; and,  
 FIG. 16 is a bottom view of the chair shown in FIG. 9.  
 The broken lines shown in the figures are for illustrative purposes only and form no part of the claimed design.

**1 Claim, 16 Drawing Sheets**



(56)

References Cited

U.S. PATENT DOCUMENTS

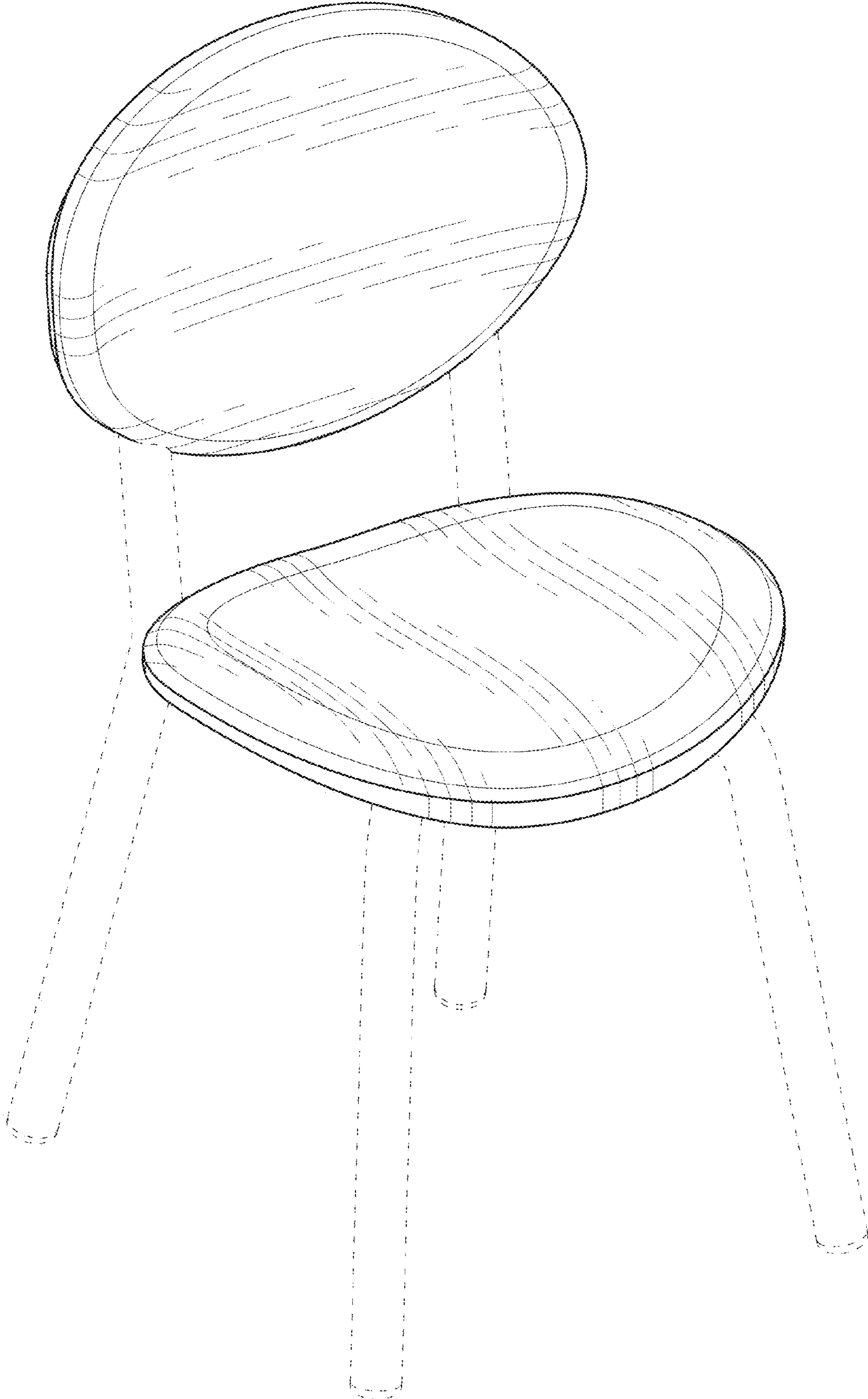
D477,939 S 8/2003 Haney  
 D481,550 S 11/2003 Astle  
 D482,540 S 11/2003 Ashby  
 D482,543 S 11/2003 Haney  
 D489,192 S 5/2004 Jin  
 D498,071 S 11/2004 Ashby  
 6,871,906 B2 3/2005 Haney  
 D507,425 S 7/2005 Ashby  
 D508,339 S 8/2005 Astle  
 7,014,261 B2 3/2006 Haney  
 7,017,986 B2 3/2006 Degen  
 D519,292 S 4/2006 Ashby  
 D523,254 S 6/2006 Ashby  
 7,069,865 B2 7/2006 Strong  
 7,160,215 B2 1/2007 Mower  
 7,171,910 B2 2/2007 Strong  
 7,331,297 B2 2/2008 Strong  
 D574,624 S \* 8/2008 Bartlmae ..... D6/380  
 7,452,035 B2 11/2008 Astle  
 7,476,164 B2 1/2009 Mower  
 7,634,970 B2 12/2009 Strong  
 7,644,667 B2 1/2010 Strong  
 7,972,225 B2 7/2011 Mower  
 8,006,630 B2 8/2011 Strong

D655,932 S 3/2012 Ashby  
 D664,382 S \* 7/2012 Petrucci ..... D6/716  
 D667,649 S 9/2012 Waite  
 8,342,107 B2 1/2013 Mower  
 D686,007 S 7/2013 Clegg  
 8,721,003 B2 5/2014 Waite  
 D710,623 S 8/2014 Peery  
 D721,528 S 1/2015 Peery  
 D751,329 S 3/2016 Johnson  
 D753,945 S 4/2016 Johnson  
 D839,650 S 2/2019 Winter  
 D854,848 S \* 7/2019 Palomba ..... D6/374  
 D863,805 S \* 10/2019 Jones ..... D6/374  
 10,448,744 B2 10/2019 Phillips

OTHER PUBLICATIONS

U.S. Appl. No. 29/787,033, filed Mar. 9, 2020.  
 U.S. Appl. No. 29/724,970, filed Feb. 20, 2020.  
 U.S. Appl. No. 29/712,934, filed Nov. 12, 2019.  
 U.S. Appl. No. 29/712,931, filed Nov. 12, 2019.  
 U.S. Appl. No. 29/712,930, filed Nov. 12, 2019.  
 U.S. Appl. No. 29/671,633, filed Nov. 28, 2018.  
 U.S. Appl. No. 29/692,137, filed May 22, 2019.  
 U.S. Appl. No. 29/694,554, filed Jun. 11, 2019.

\* cited by examiner



**FIG. 1**

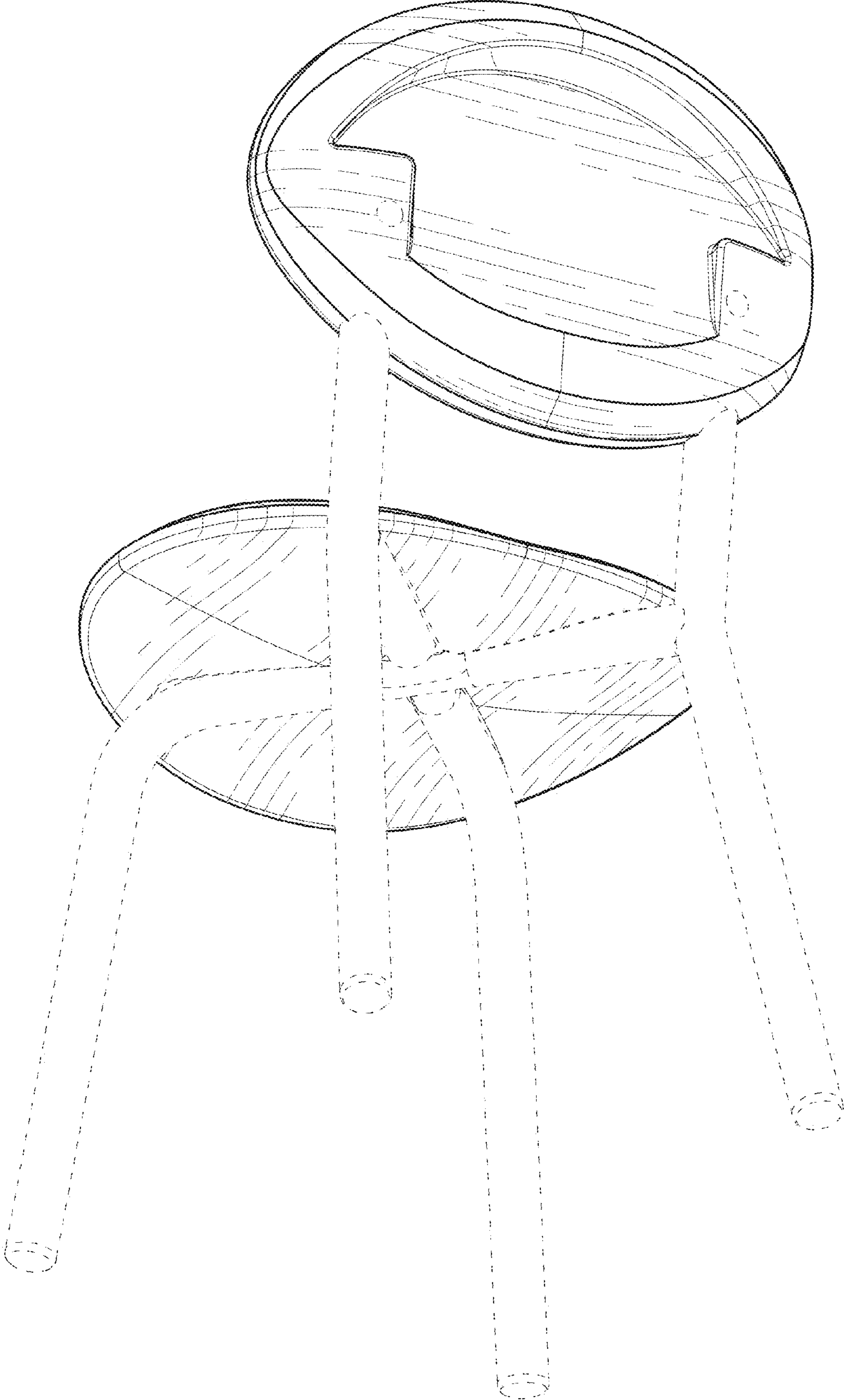


FIG. 2

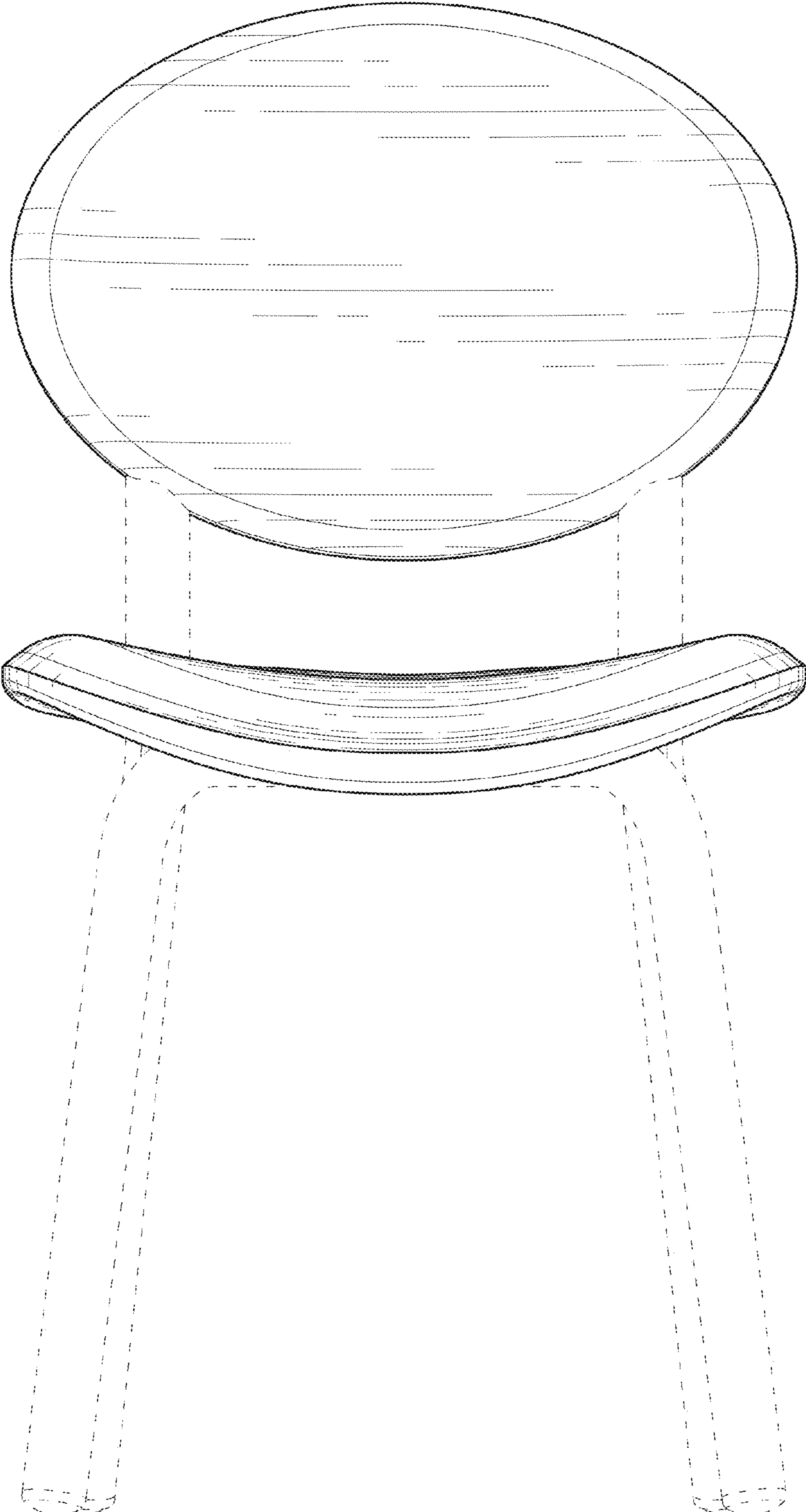


FIG. 3

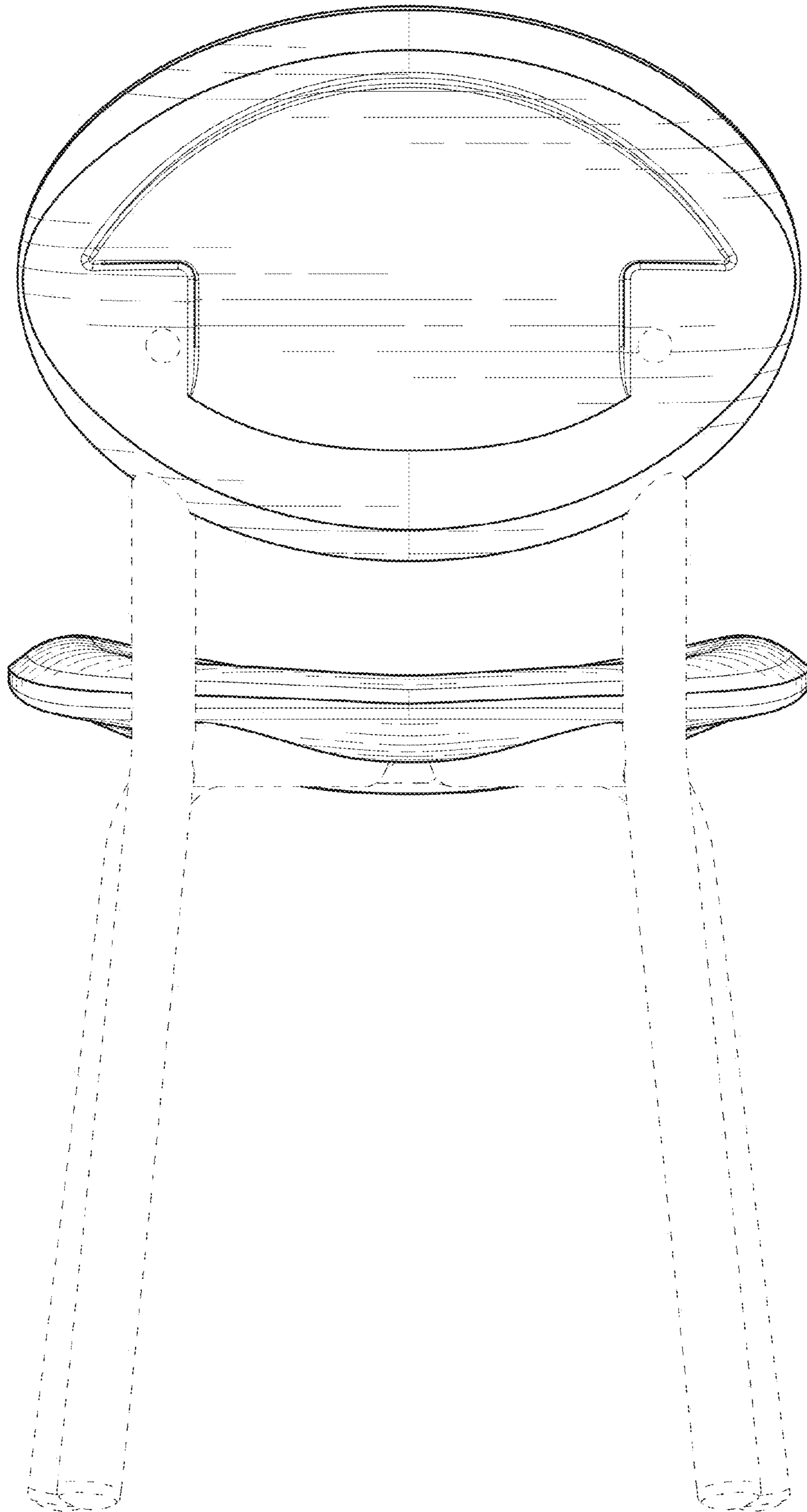


FIG. 4

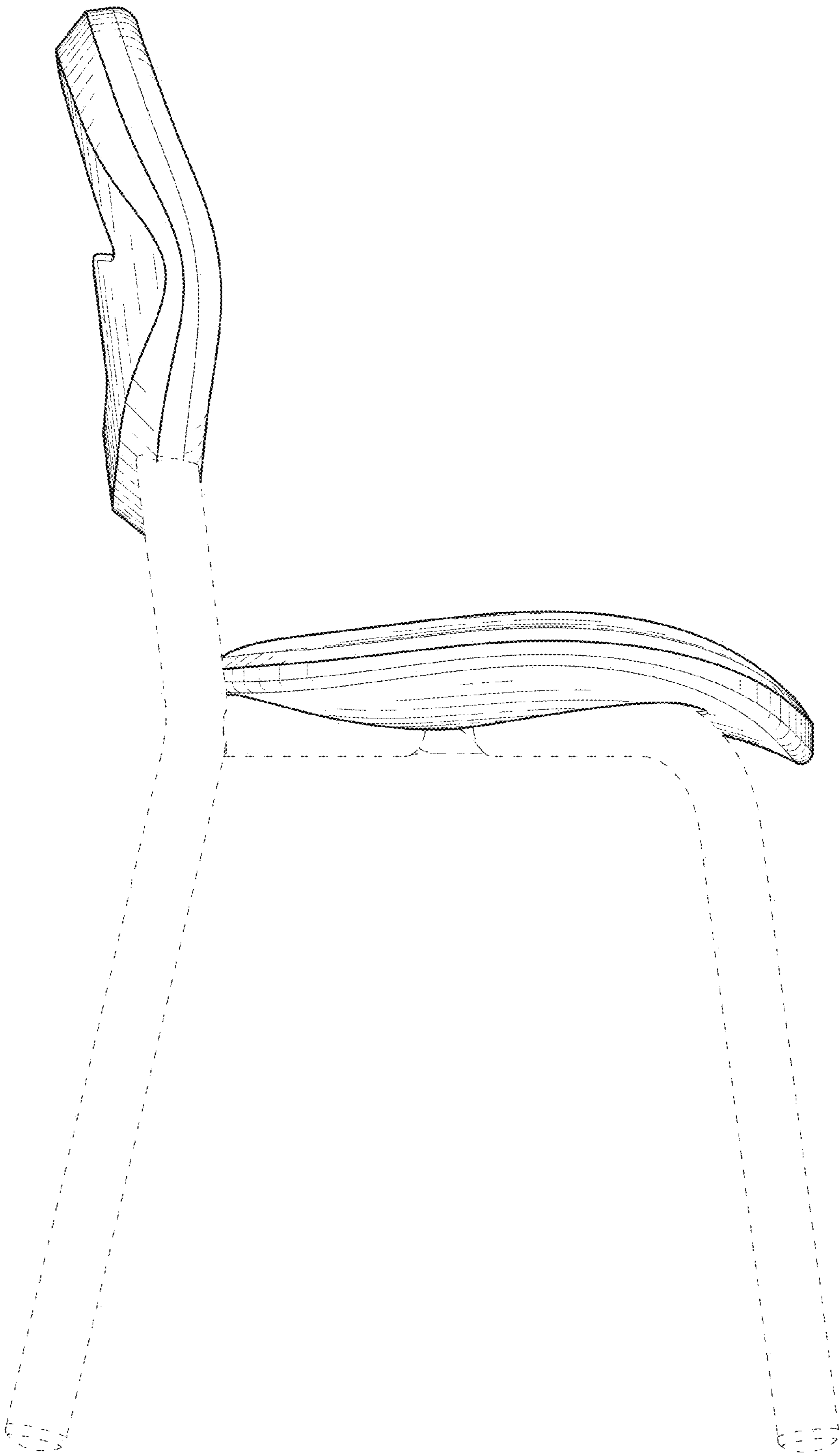


FIG. 2

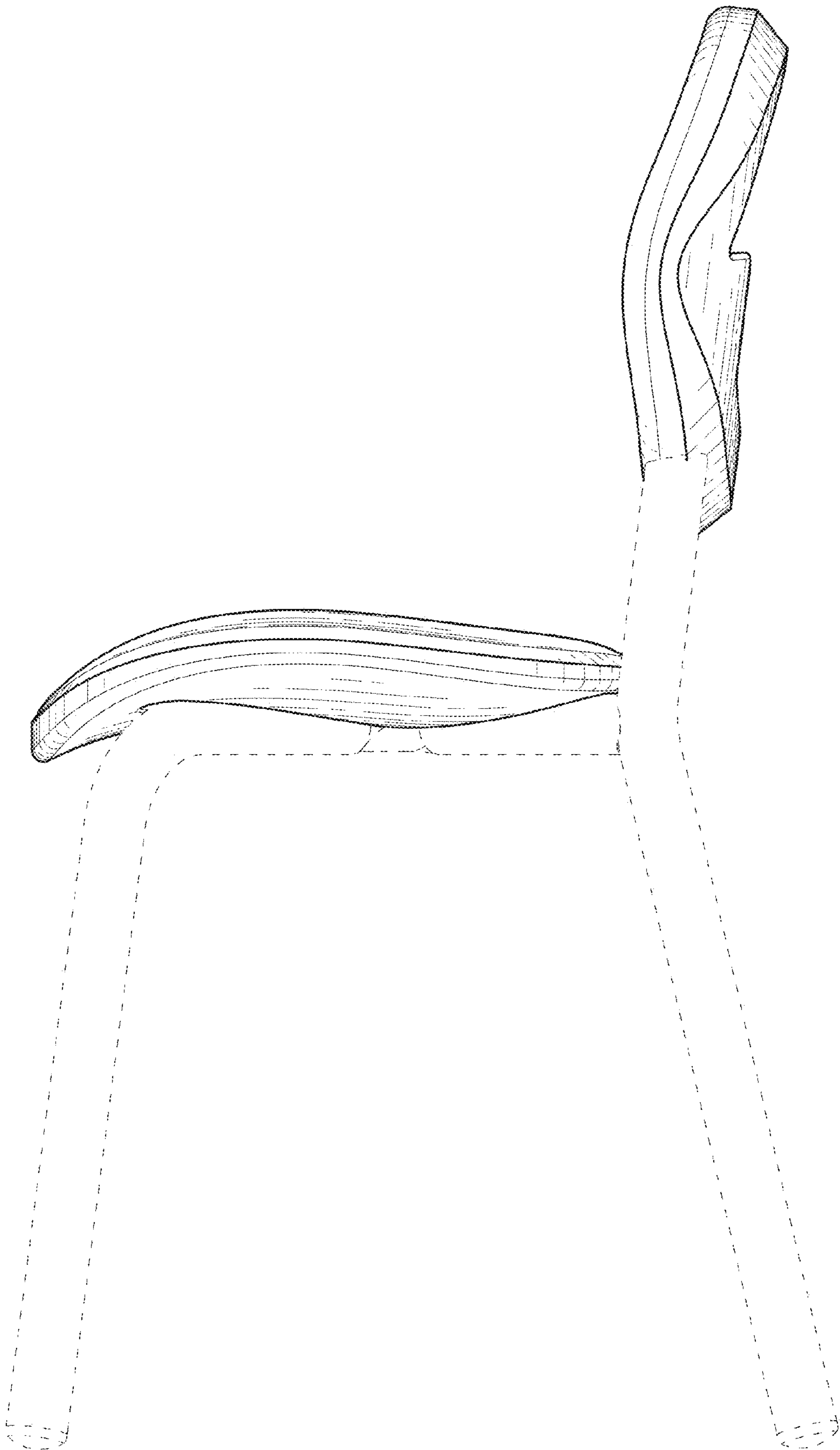
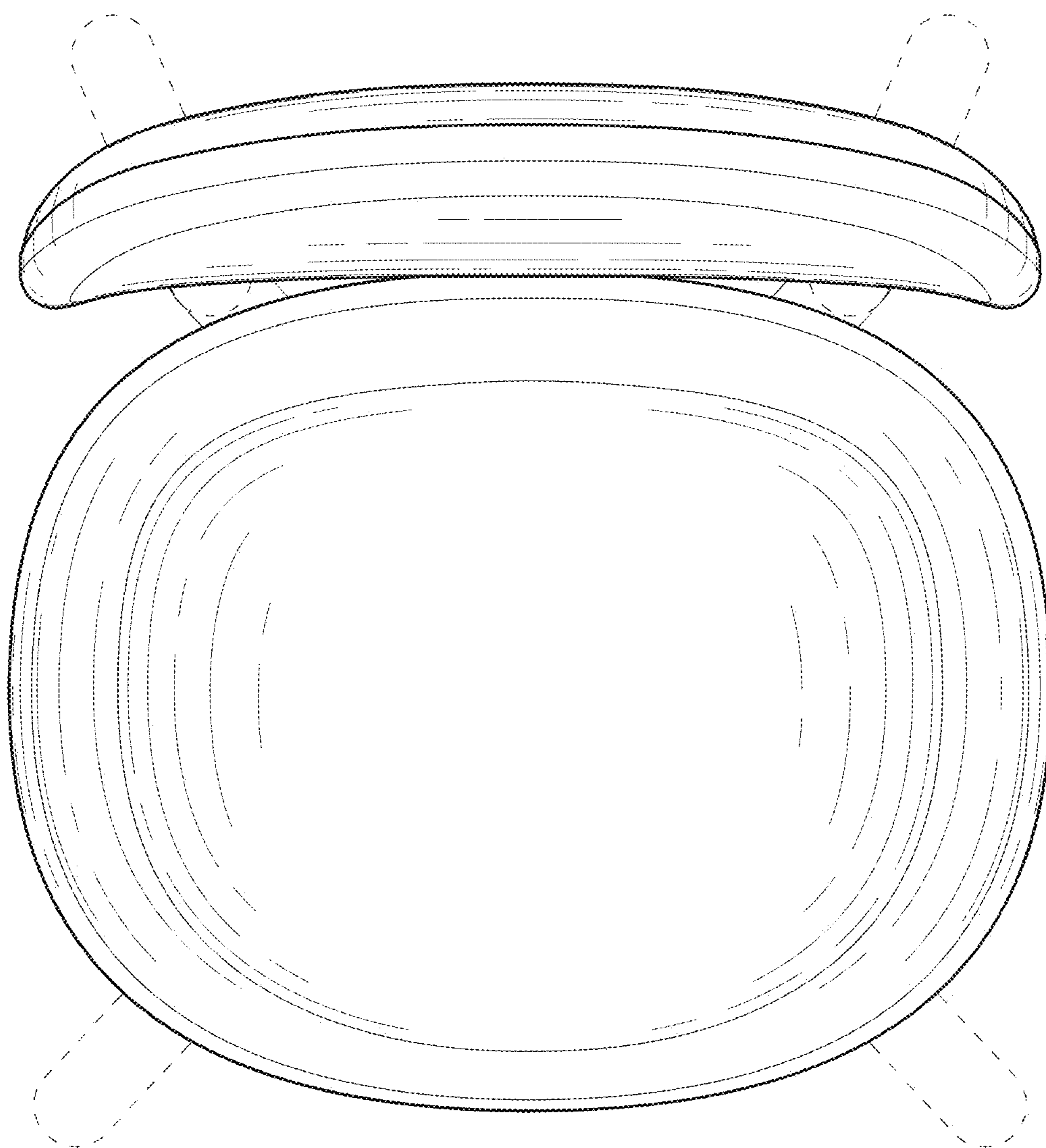


FIG. 6





**FIG. 7**

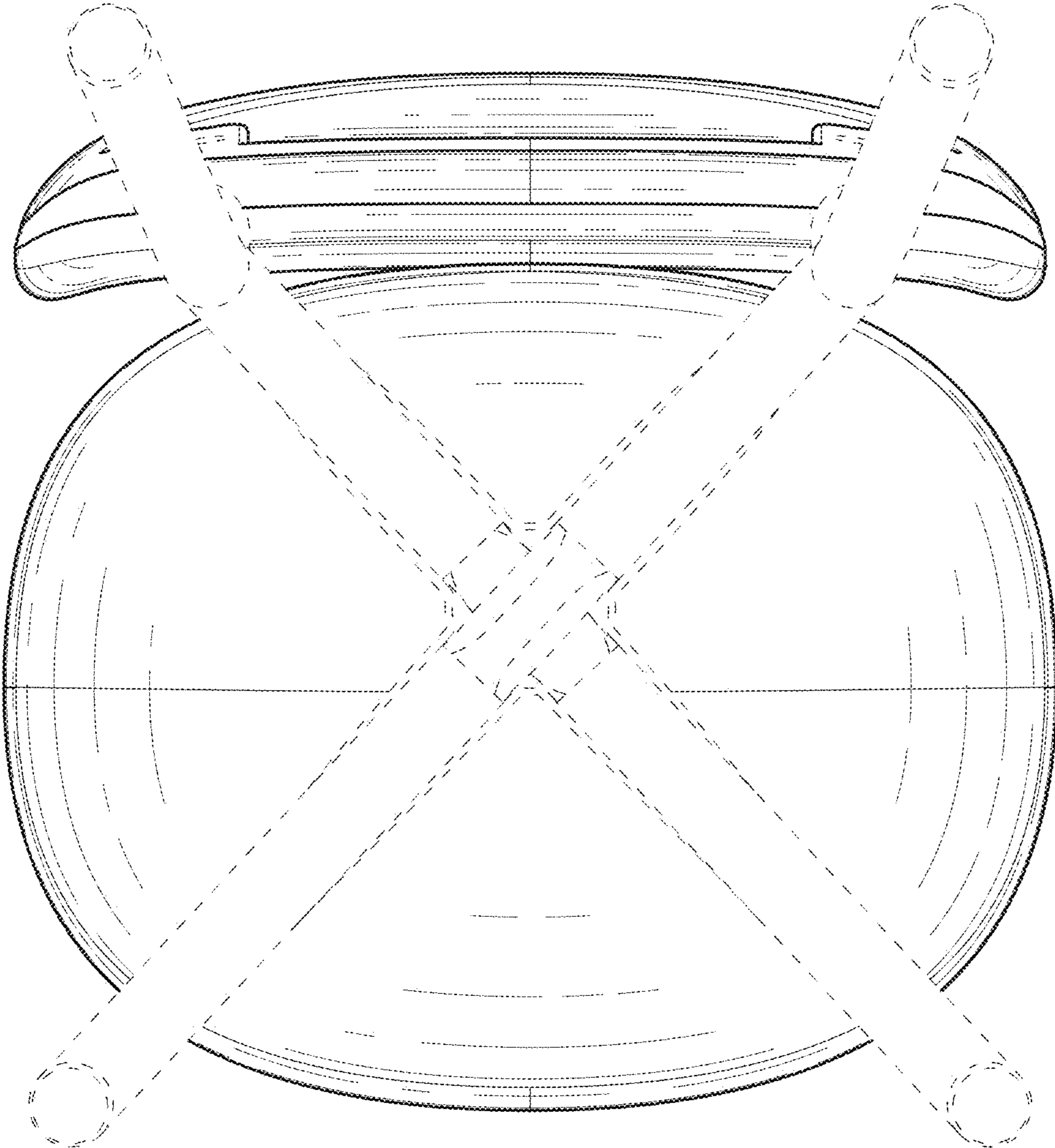
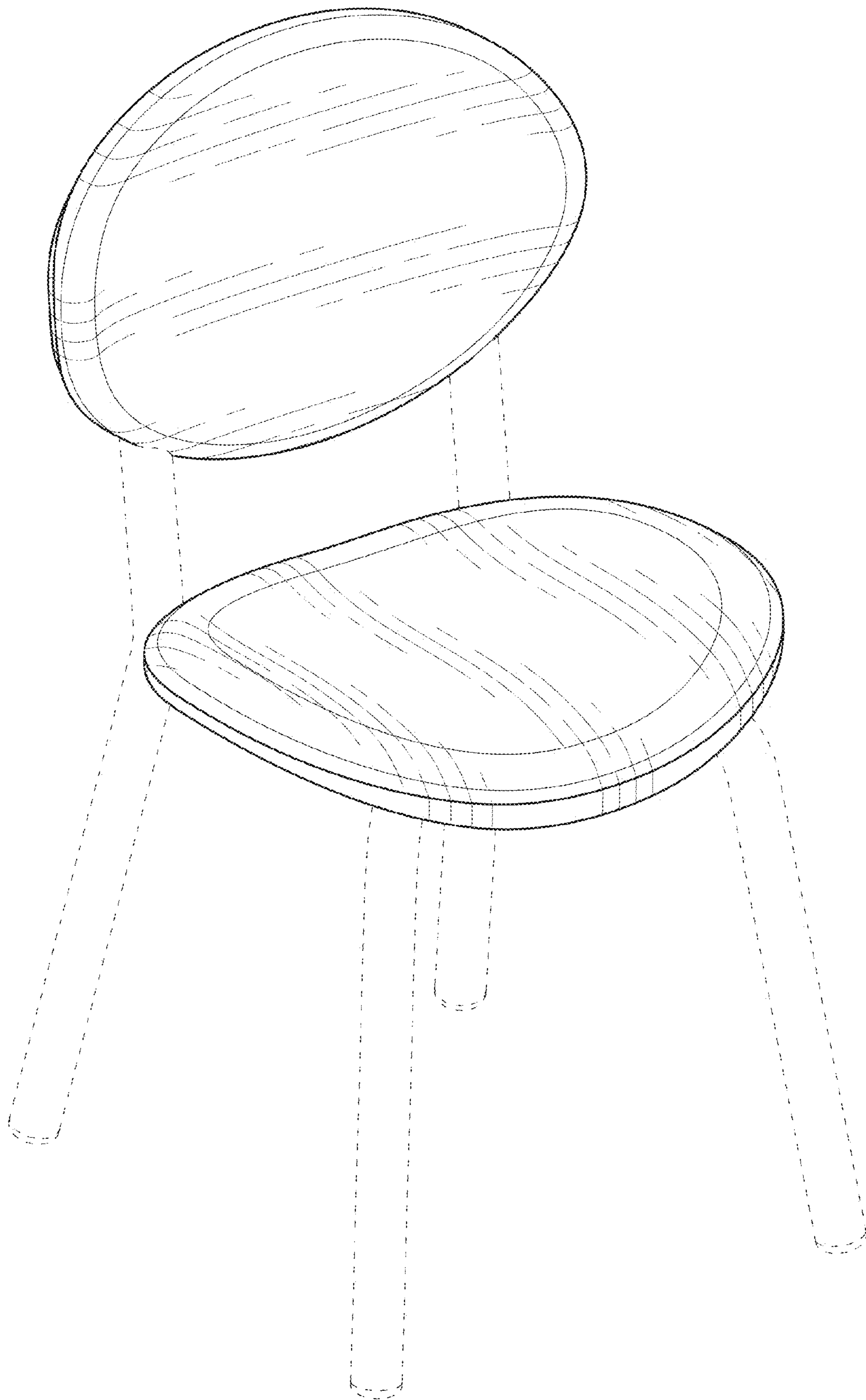


FIG. 8



**FIG. 9**

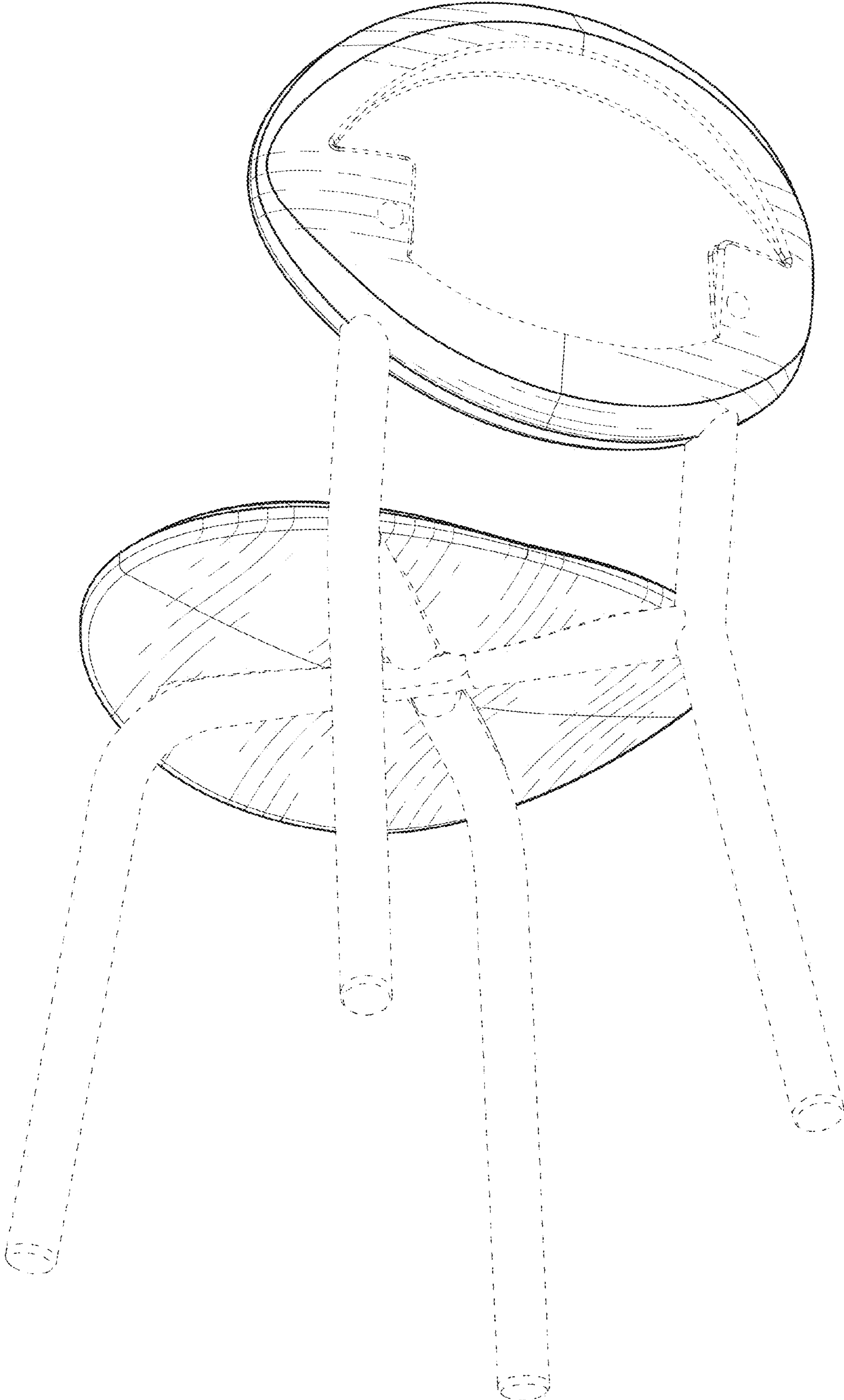
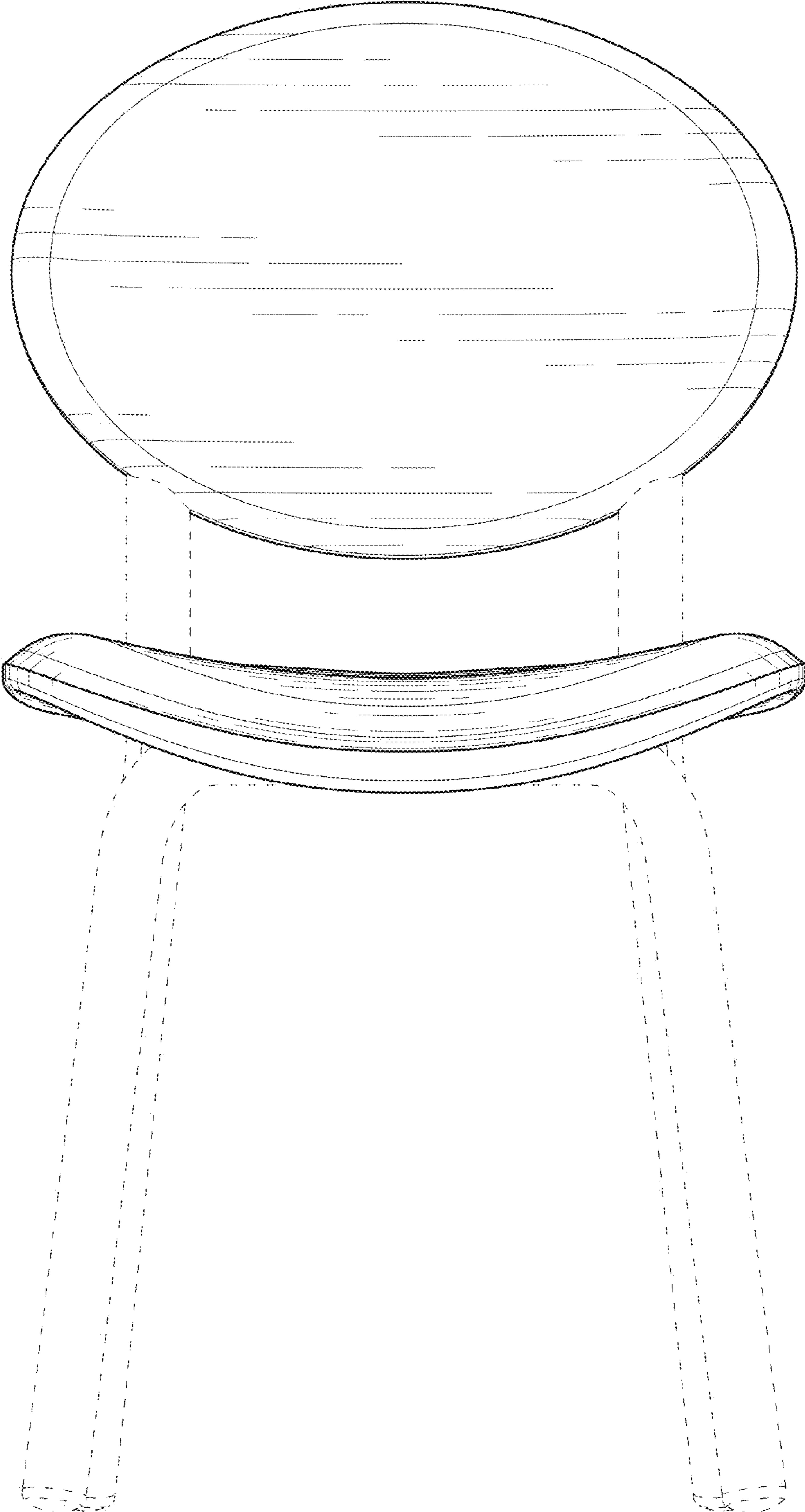


FIG. 10



**FIG. 11**

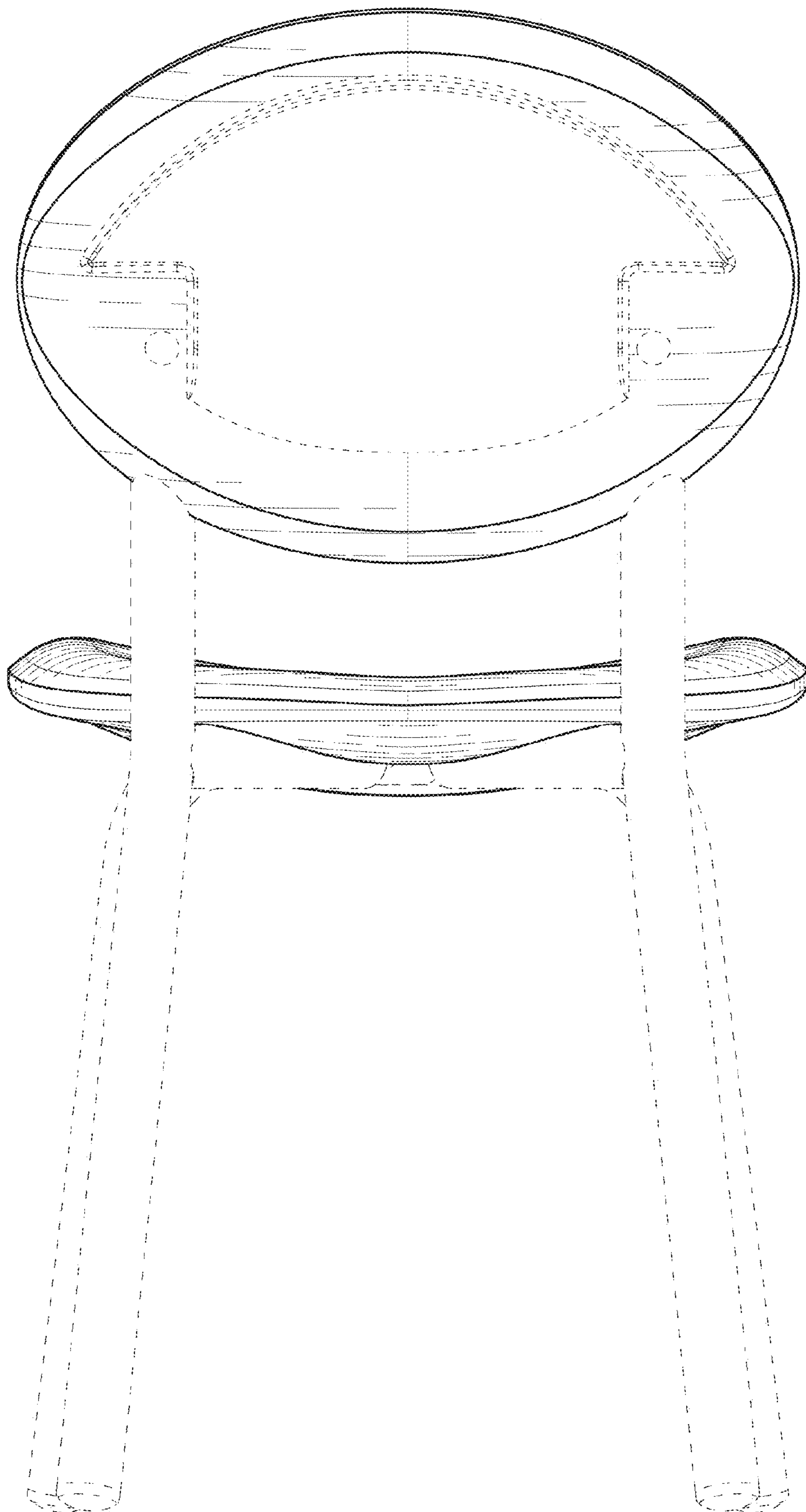


FIG. 12

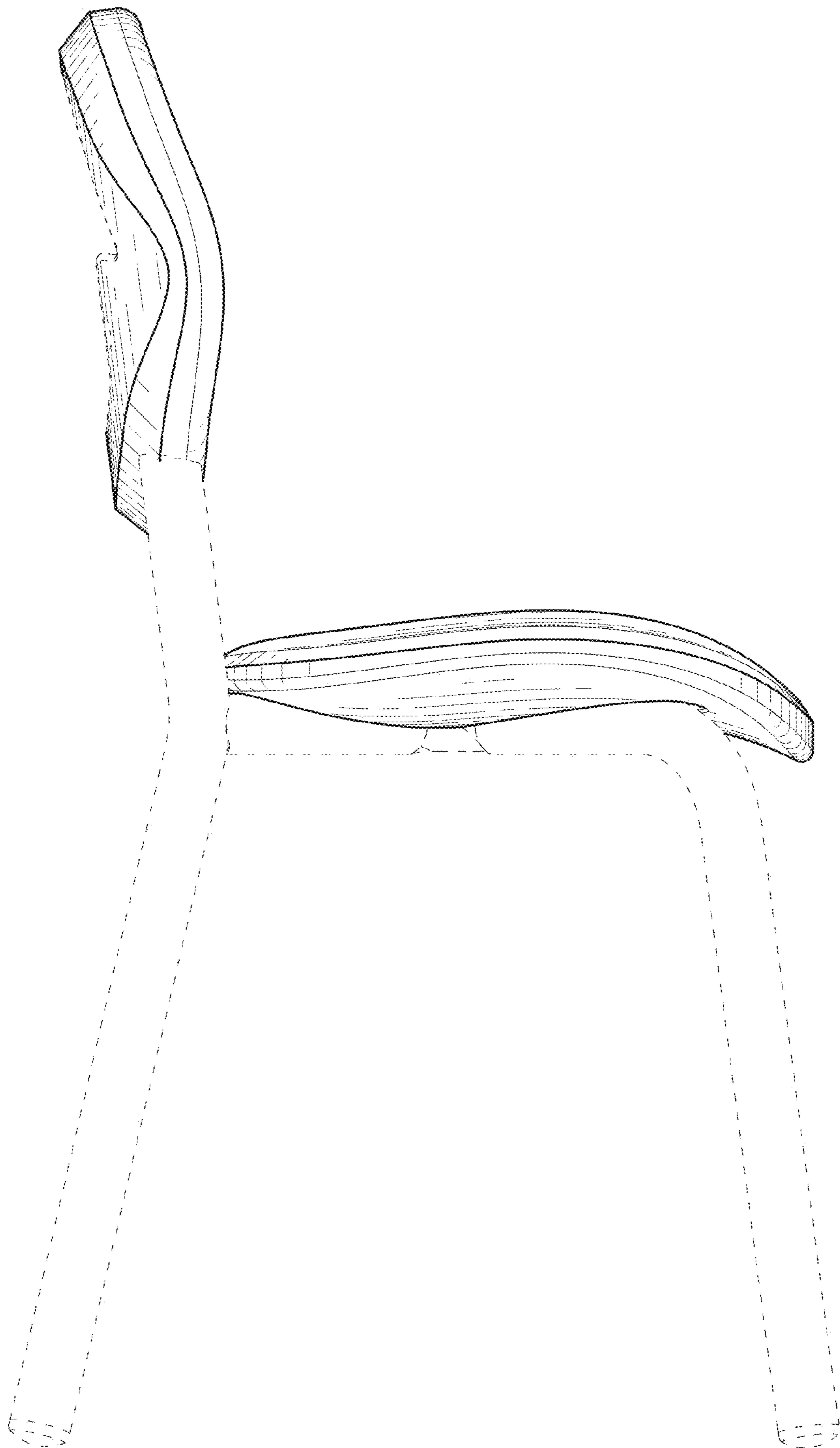


FIG. 13

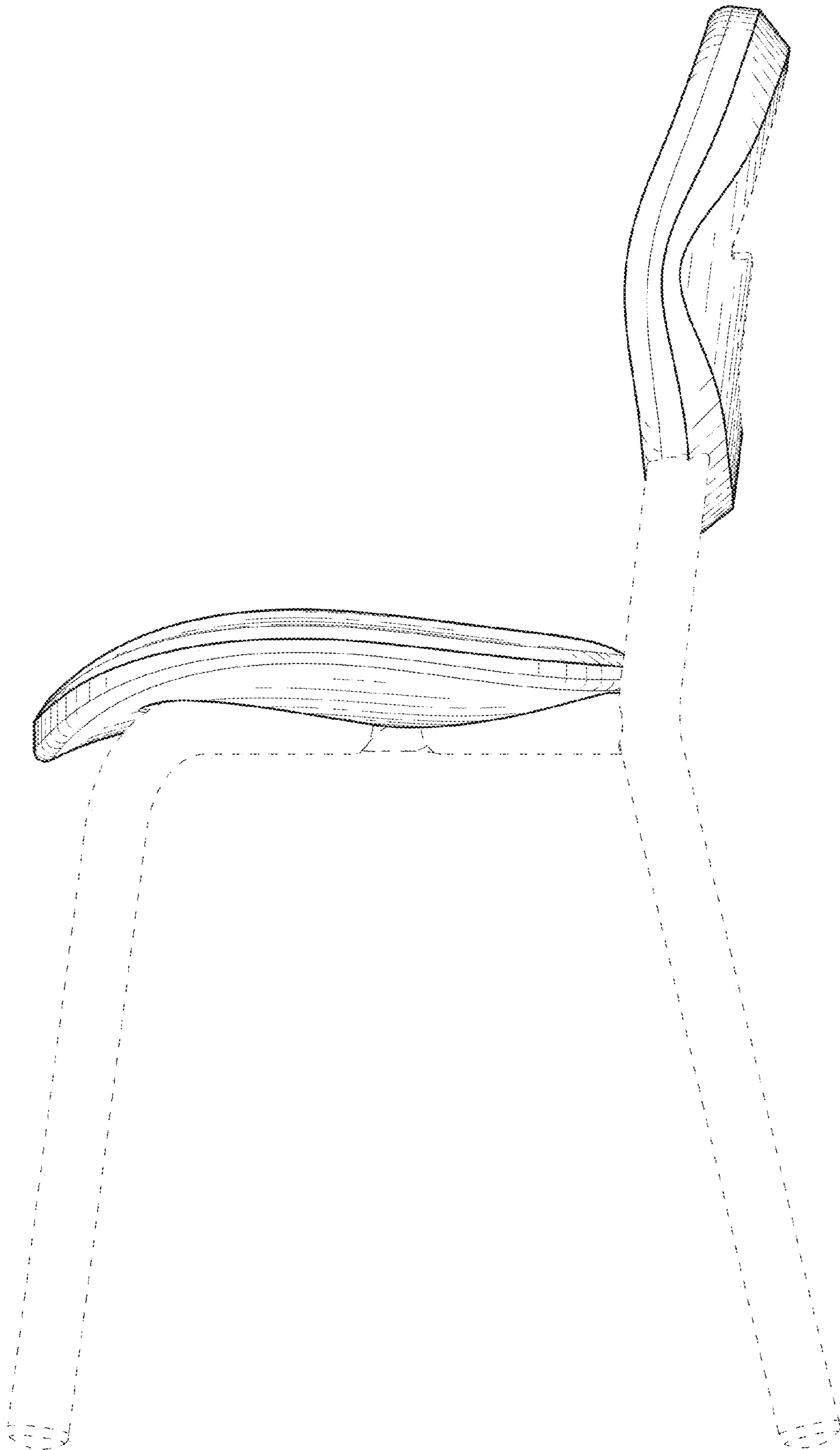
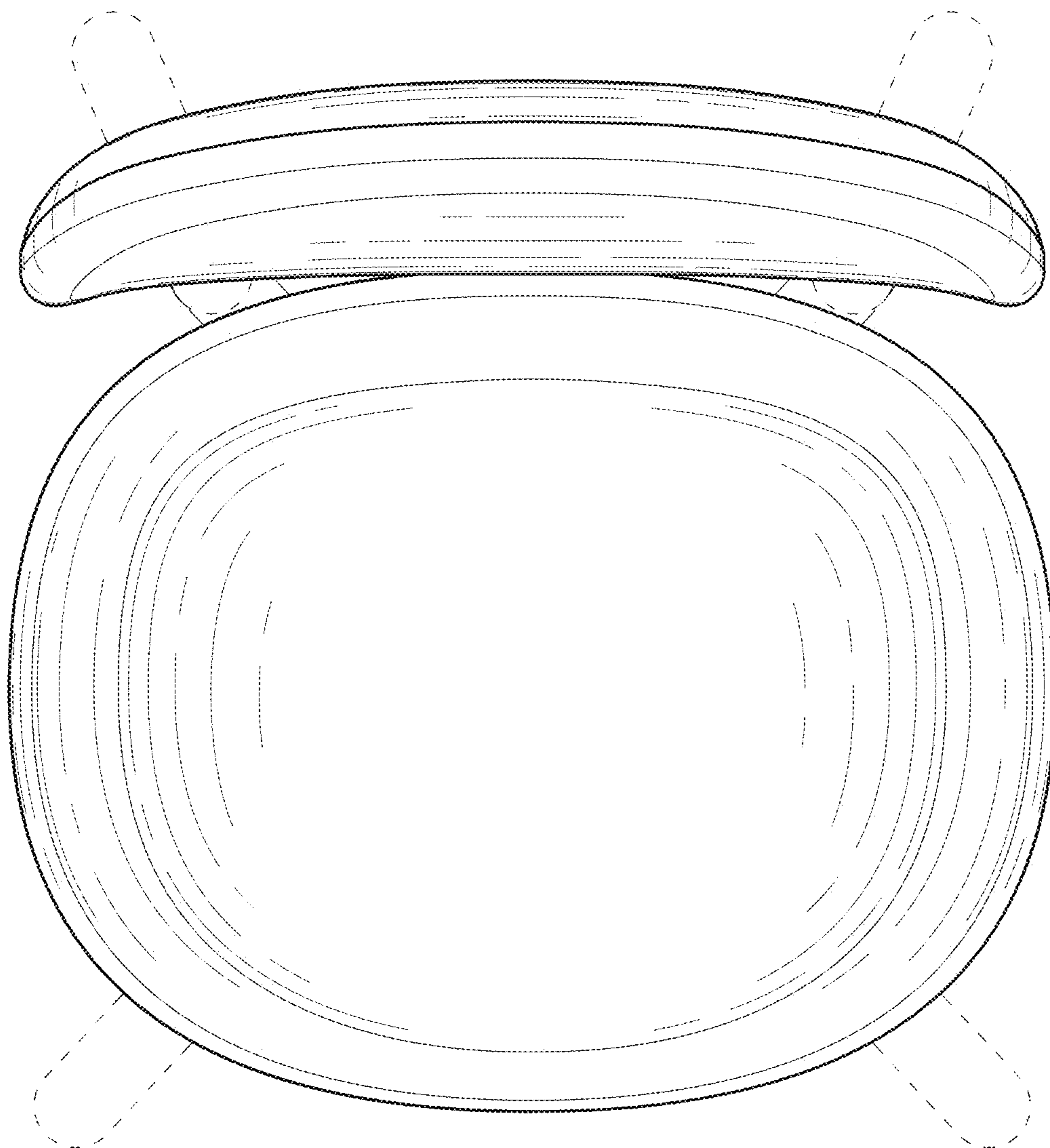


FIG. 14





**FIG. 15**

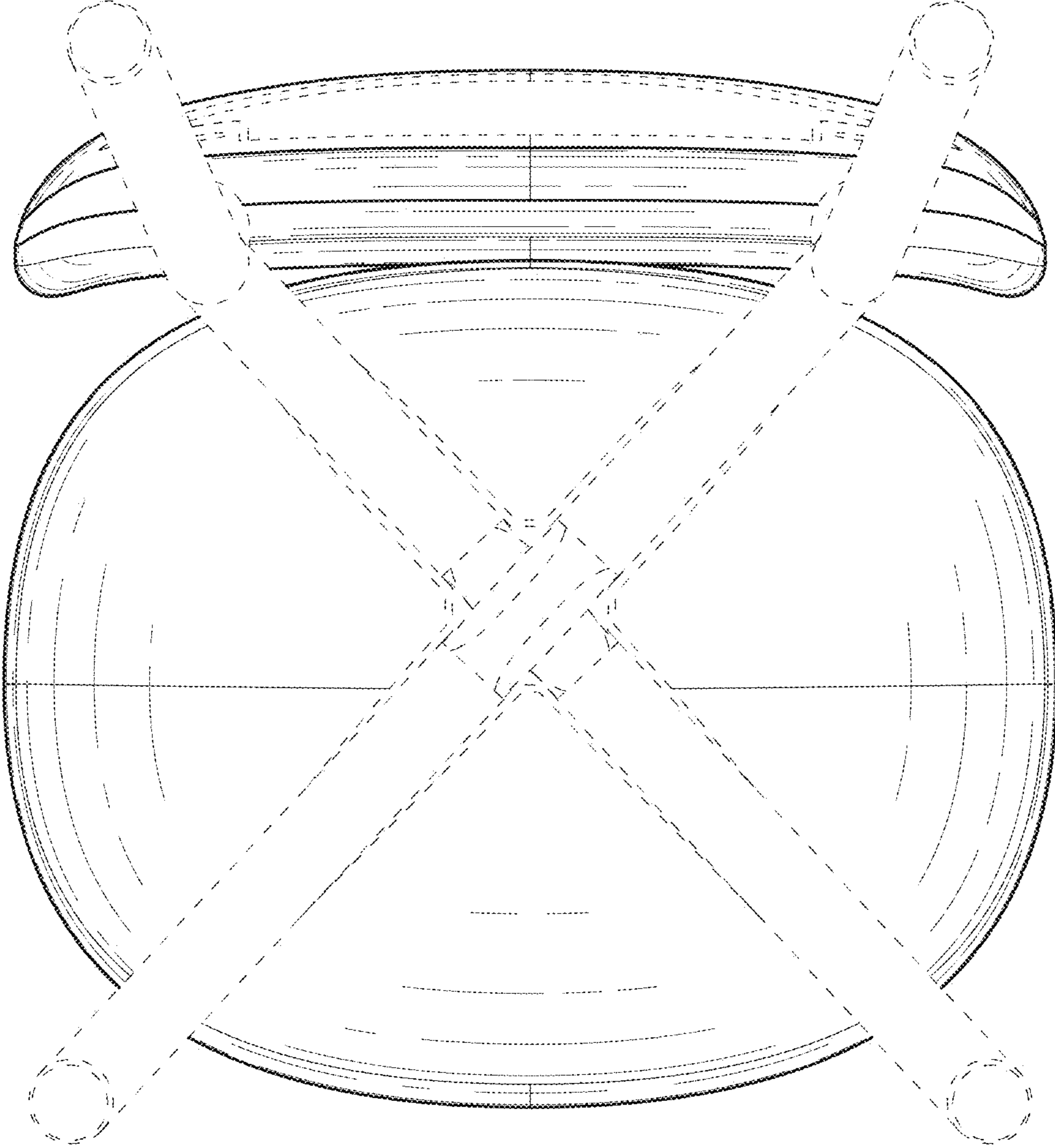


FIG. 16