



US00D972873S

(12) **United States Design Patent** (10) **Patent No.:** **US D972,873 S**
Wynants (45) **Date of Patent:** **** Dec. 20, 2022**

(54) **FOLDING TABLE**
(71) Applicant: **Dirk Wynants**, Poperinge (BE)
(72) Inventor: **Dirk Wynants**, Poperinge (BE)
(**) Term: **15 Years**

D557,524 S * 12/2007 Simpson D6/692.4
8,225,726 B1 * 7/2012 Fineberg A47B 3/06
108/115
D722,799 S * 2/2015 Urban D6/692.4
D739,167 S * 9/2015 Barber D6/692
D745,297 S * 12/2015 Ye D6/692.3
D772,589 S * 11/2016 Foy D6/352

(Continued)

(21) Appl. No.: **29/741,313**
(22) Filed: **Jul. 10, 2020**

OTHER PUBLICATIONS

Tiki Table 3 People by Extremis, first available: Unknown. lovethatdesign.com [online], [site visited Apr. 27, 2022], Internet URL: <https://www.lovethatdesign.com/brand/extremis/product/tiki-table-3-people/> (Year: 2022).*

(Continued)

(30) **Foreign Application Priority Data**

Jan. 10, 2020 (EM) 007496468-0001

(51) **LOC (13) Cl.** **06-03**

(52) **U.S. Cl.**

USPC **D6/692.4**

(58) **Field of Classification Search**

USPC D6/691.1, 691.3, 691.4, 691.5, 691.6,
D6/691.2, 685, 689, 690, 692, 692.1,
D6/692.2, 692.3, 692.4, 692.5, 686, 700
CPC A47B 13/08; A47B 37/04; A47B 3/00;
A47B 13/023; A47B 5/04; A47B
2013/022; A47B 7/00; A47B 13/00; A47B
13/02; A47B 13/04; A47B 13/06; A47B
13/12; A47B 21/00; A47B 2200/0001;
A47B 2200/0011

See application file for complete search history.

Primary Examiner — Steven J Czyz

Assistant Examiner — Hillary Catherine Shepard

(74) *Attorney, Agent, or Firm* — Fresh IP PLC; Clifford
D. Hyra; Aubrey Y. Chen

(57)

CLAIM

The ornamental design for a folding table, as shown and described.

DESCRIPTION

FIG. 1 is a bottom perspective view of a folding table,
FIG. 2 is an enlarged detail view of a detachable element as
shown in FIG. 1;

FIG. 3 is a top perspective view thereof;

FIG. 4 is an enlarged detail view of a folding mechanism as
shown in FIG. 3;

FIG. 5 is a front view thereof;

FIG. 6 is a top perspective view thereof, in an alternate
condition of use; and,

FIG. 7 is an exploded top perspective view thereof.

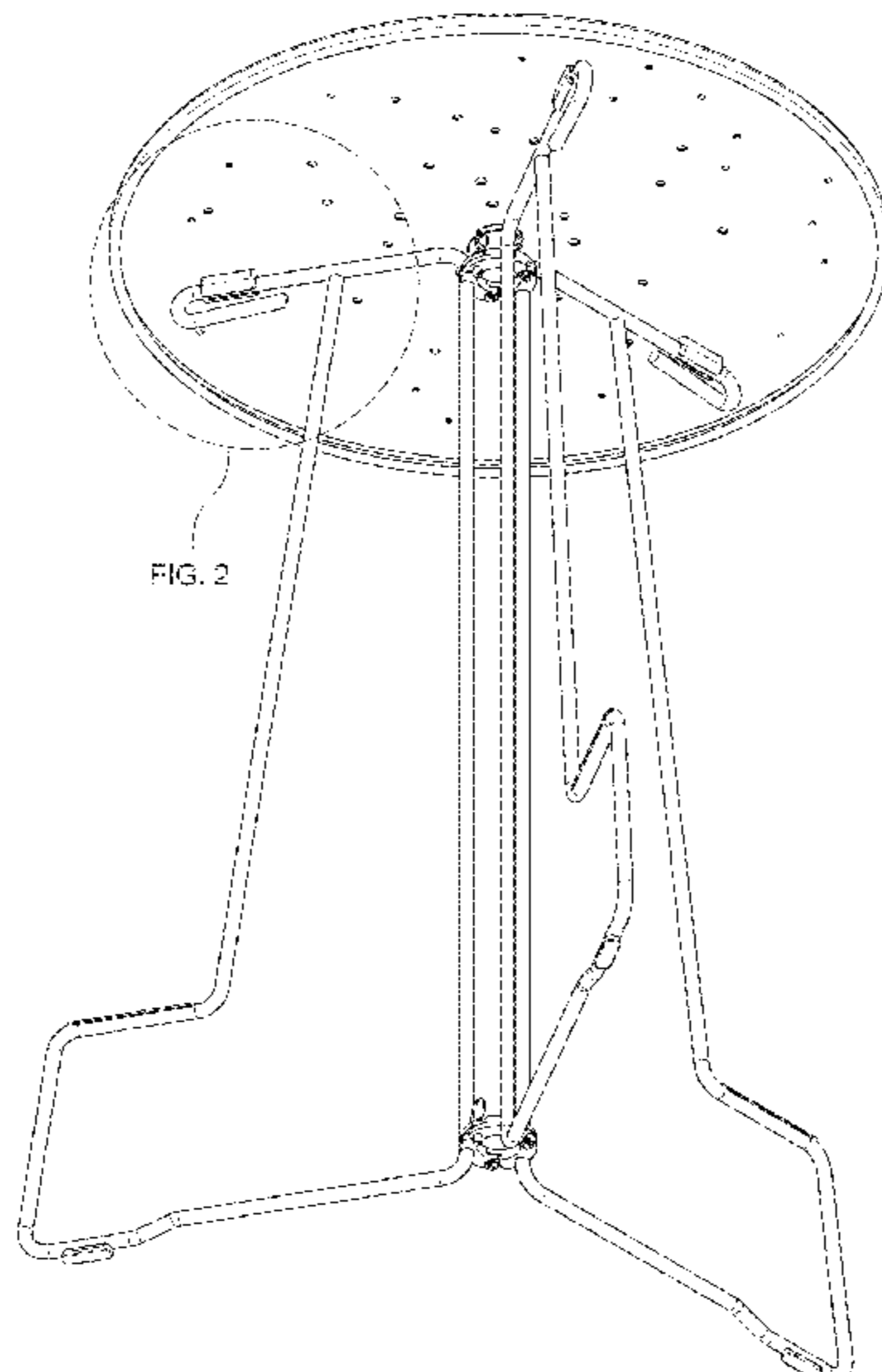
The broken lines depict portions of the article that form no
part of the claimed design.

(56) **References Cited**

U.S. PATENT DOCUMENTS

D233,108 S * 10/1974 Rosen D6/692.5
D246,341 S * 11/1977 Boughton D6/692.4
D247,402 S * 3/1978 Cohen D6/692.6
D267,609 S * 1/1983 Reistetter D6/692.5
D267,610 S * 1/1983 Reistetter D6/692.5
D269,834 S * 7/1983 Lee D6/692
D281,559 S * 12/1985 Murry D6/692.4
D361,230 S * 8/1995 Vignelli D6/685
D372,384 S * 8/1996 Saldana D6/692.5
D506,082 S * 6/2005 Foy D6/692.6

1 Claim, 7 Drawing Sheets



(56)

References Cited

U.S. PATENT DOCUMENTS

D811,786 S	*	3/2018	Lim	D6/692.3
D836,960 S	*	1/2019	Rockwell	D6/692.4
D876,864 S	*	3/2020	He	D6/692.6
D915,804 S	*	4/2021	van Thiel	D6/692.6
D934,011 S	*	10/2021	Rashid	D6/692.3

OTHER PUBLICATIONS

Tiki Table 3 People by Extremis, first available: 2021. Architonic.com [online], [site visited Apr. 27, 2022], Internet URL: <https://www.architonic.com/en/product/extremis-tiki-table-3-people/20251656> (Year: 2021).*

* cited by examiner

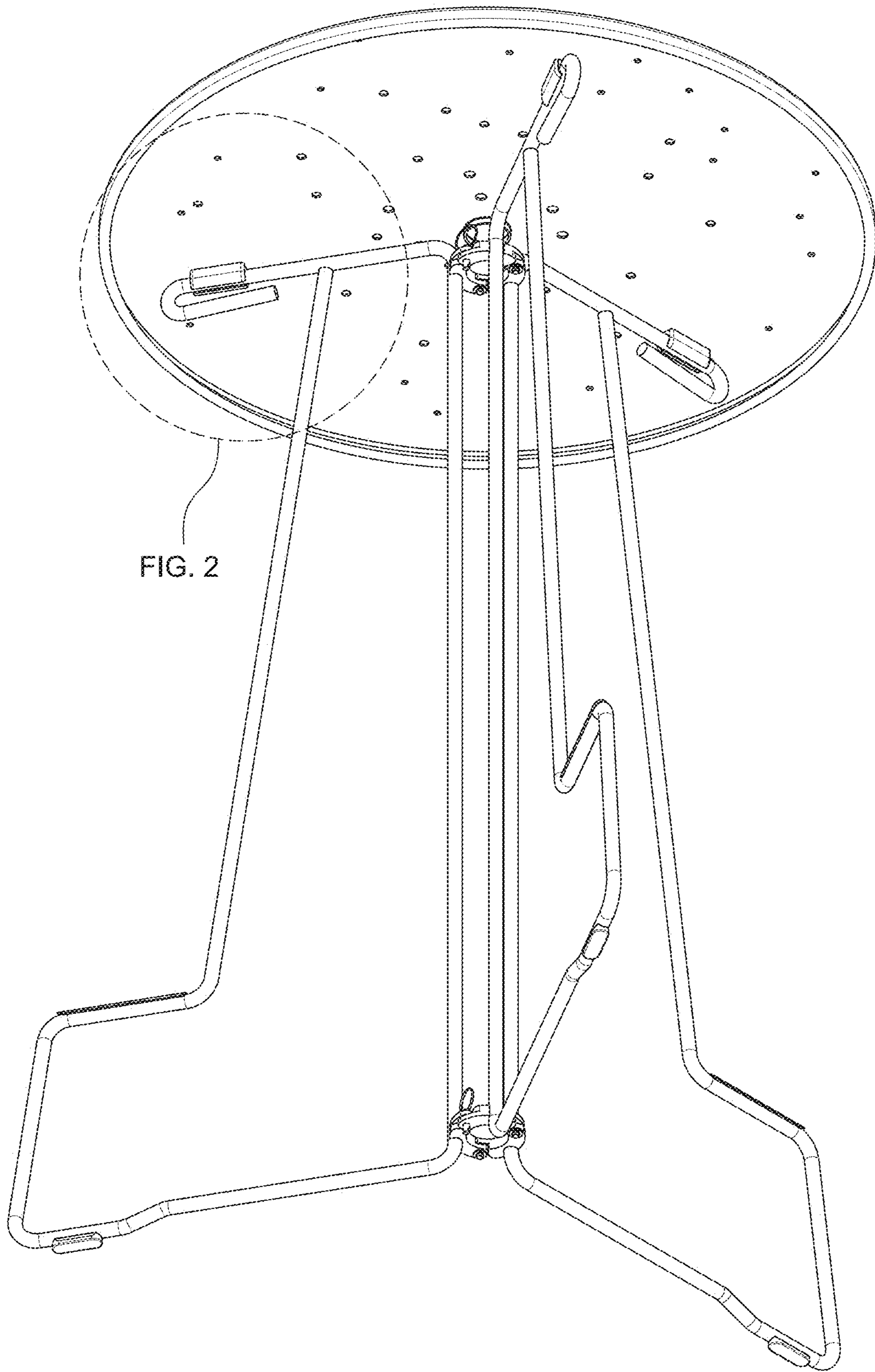


FIG. 2

FIG. 1

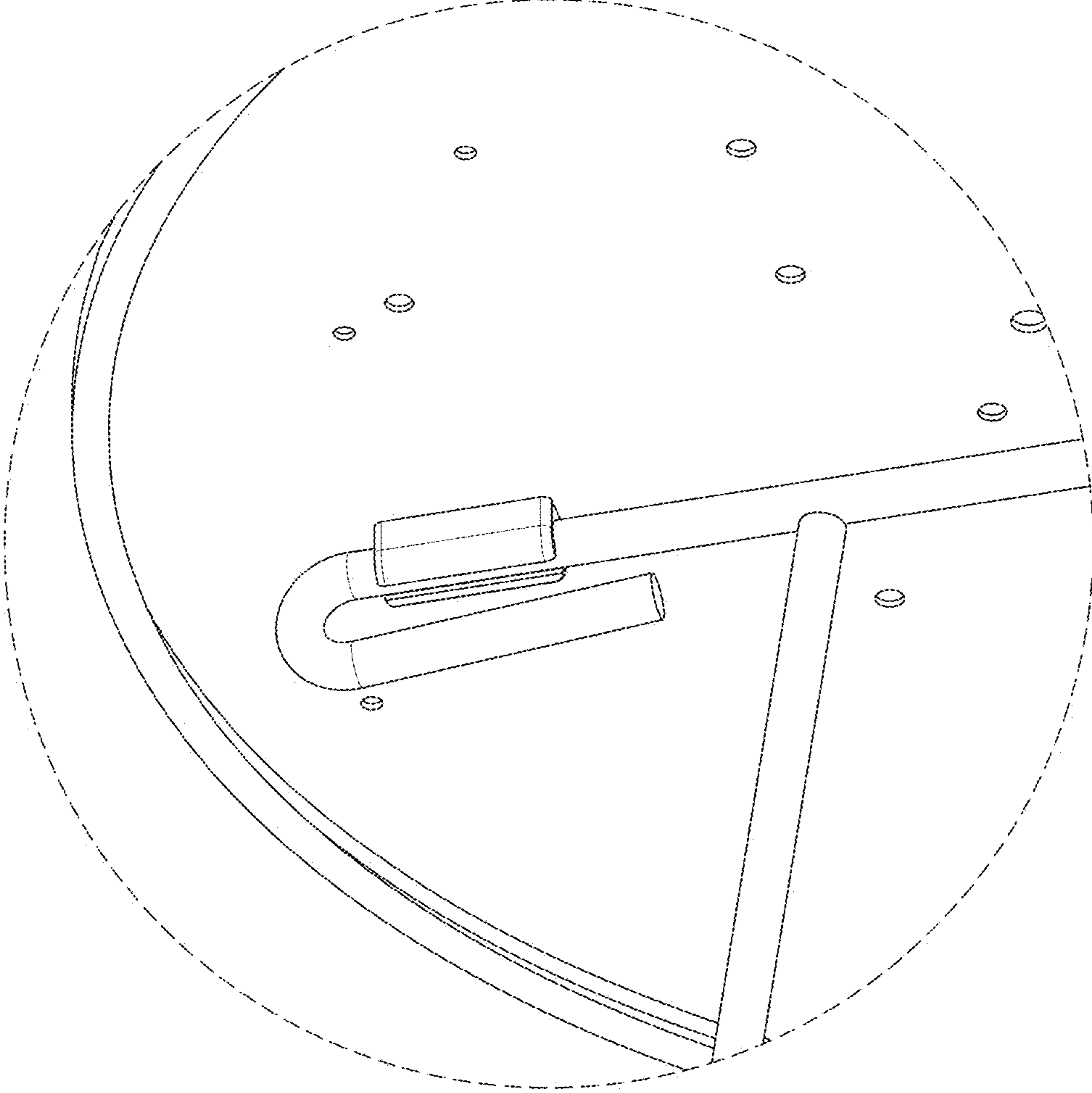


FIG. 2

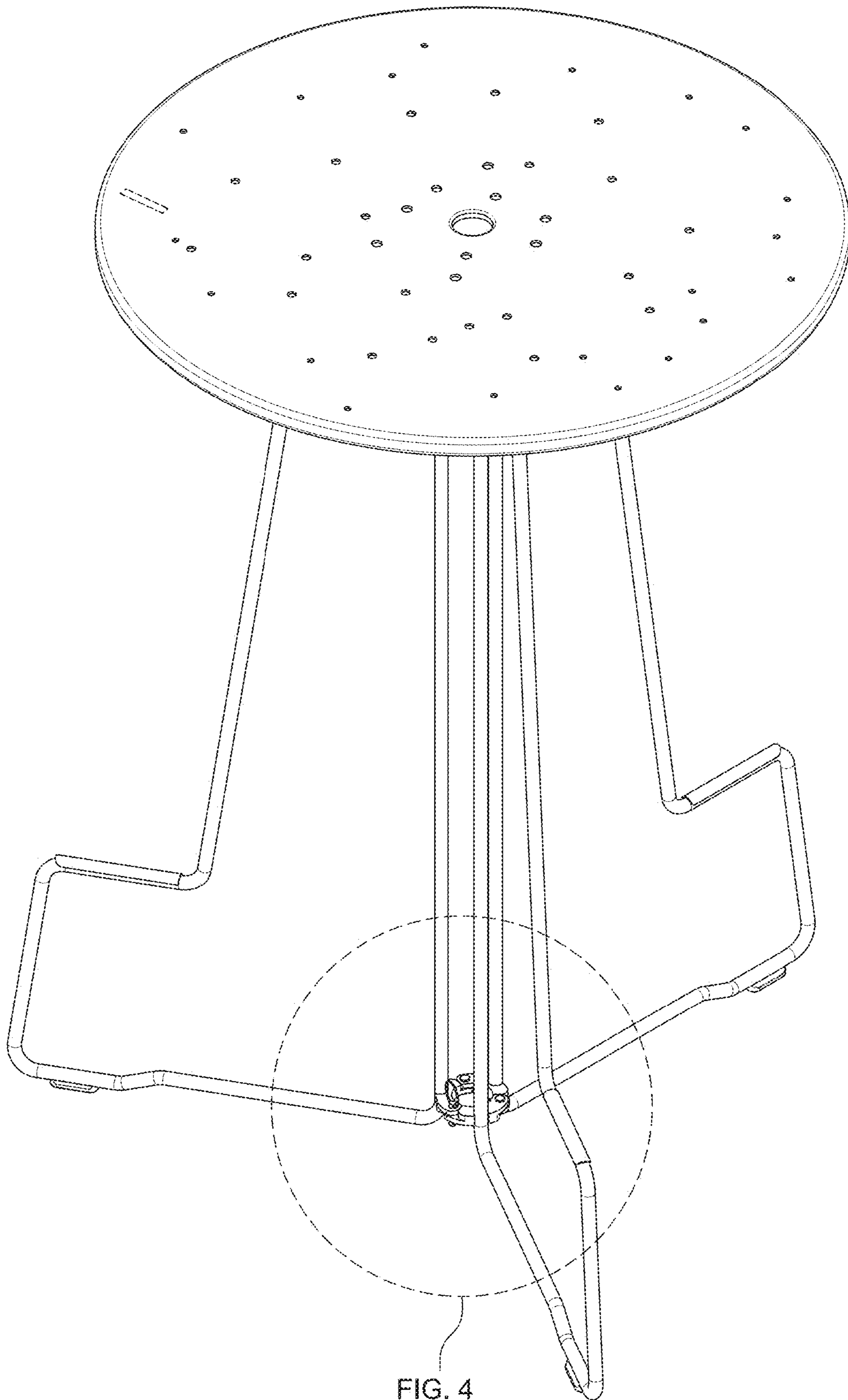


FIG. 4

FIG. 3

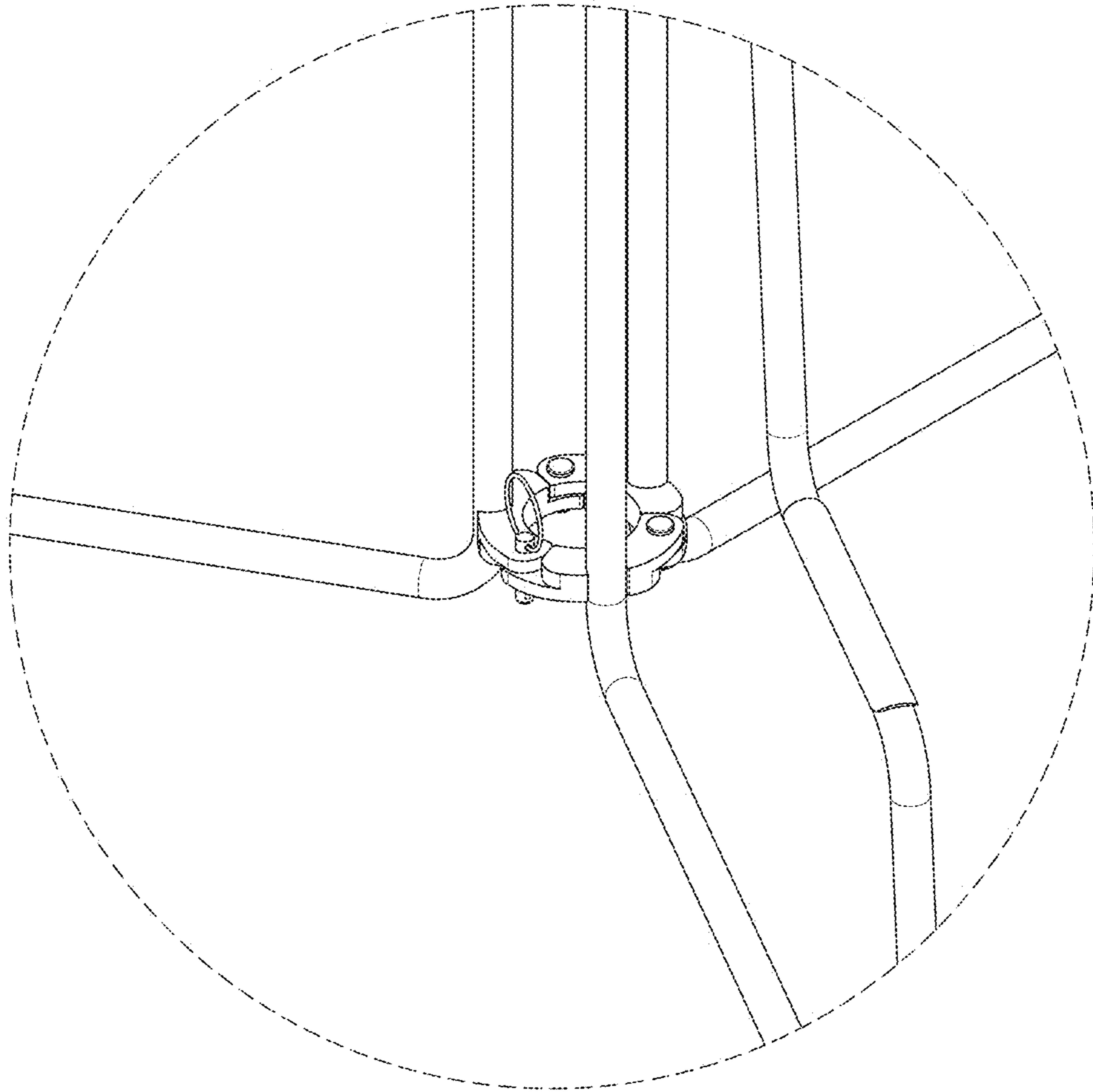


FIG. 4

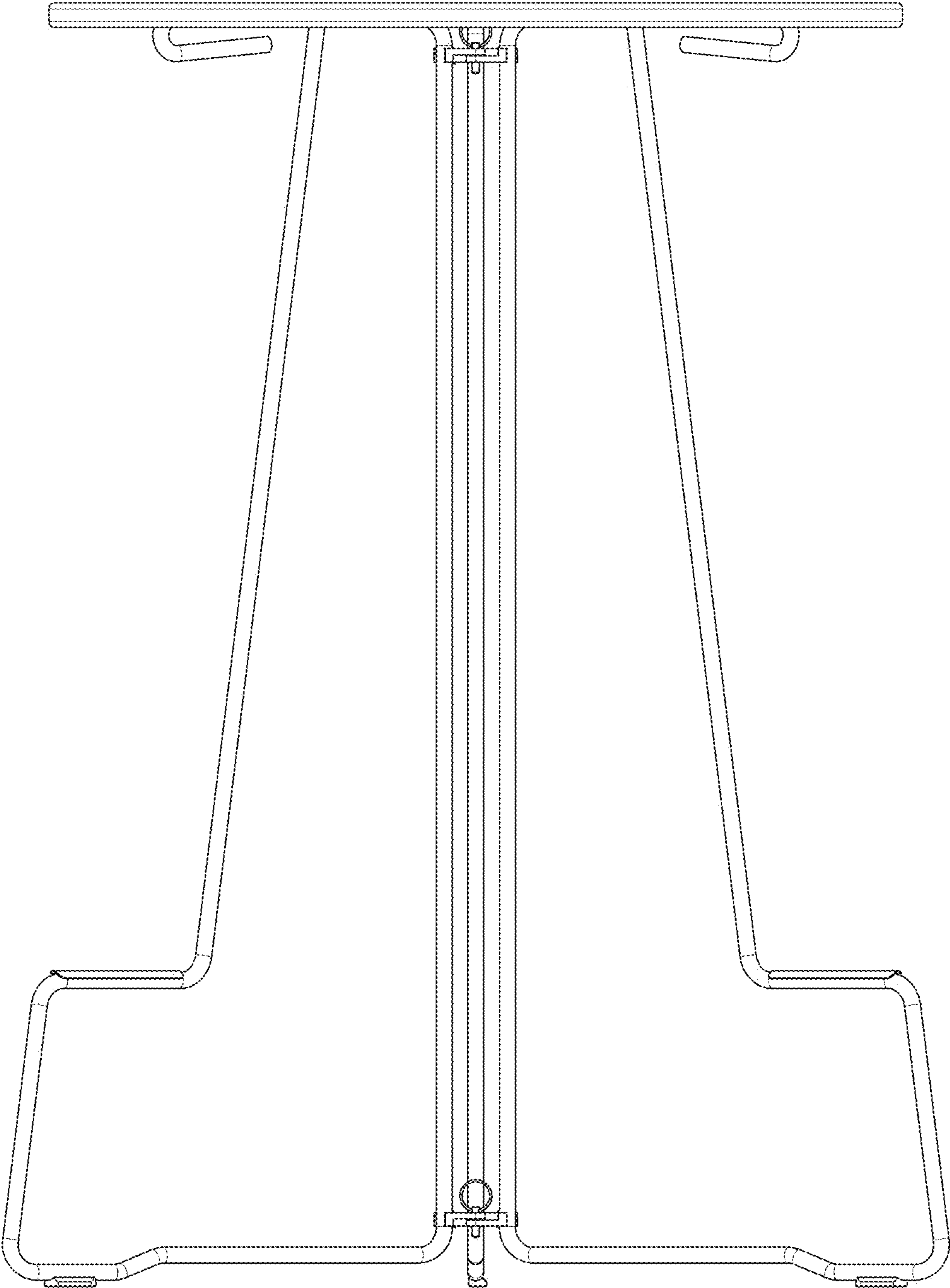


FIG. 5

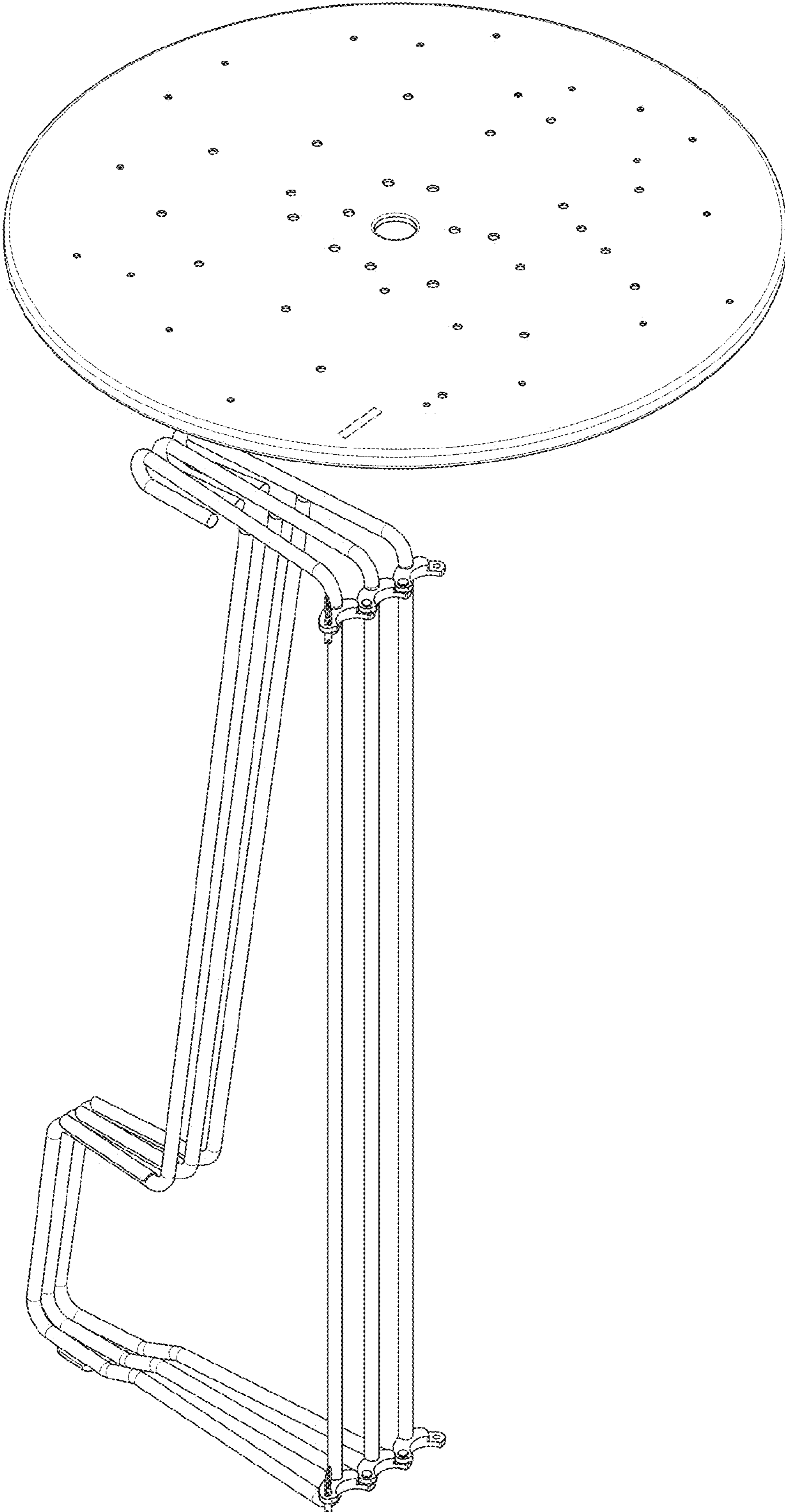


FIG. 6

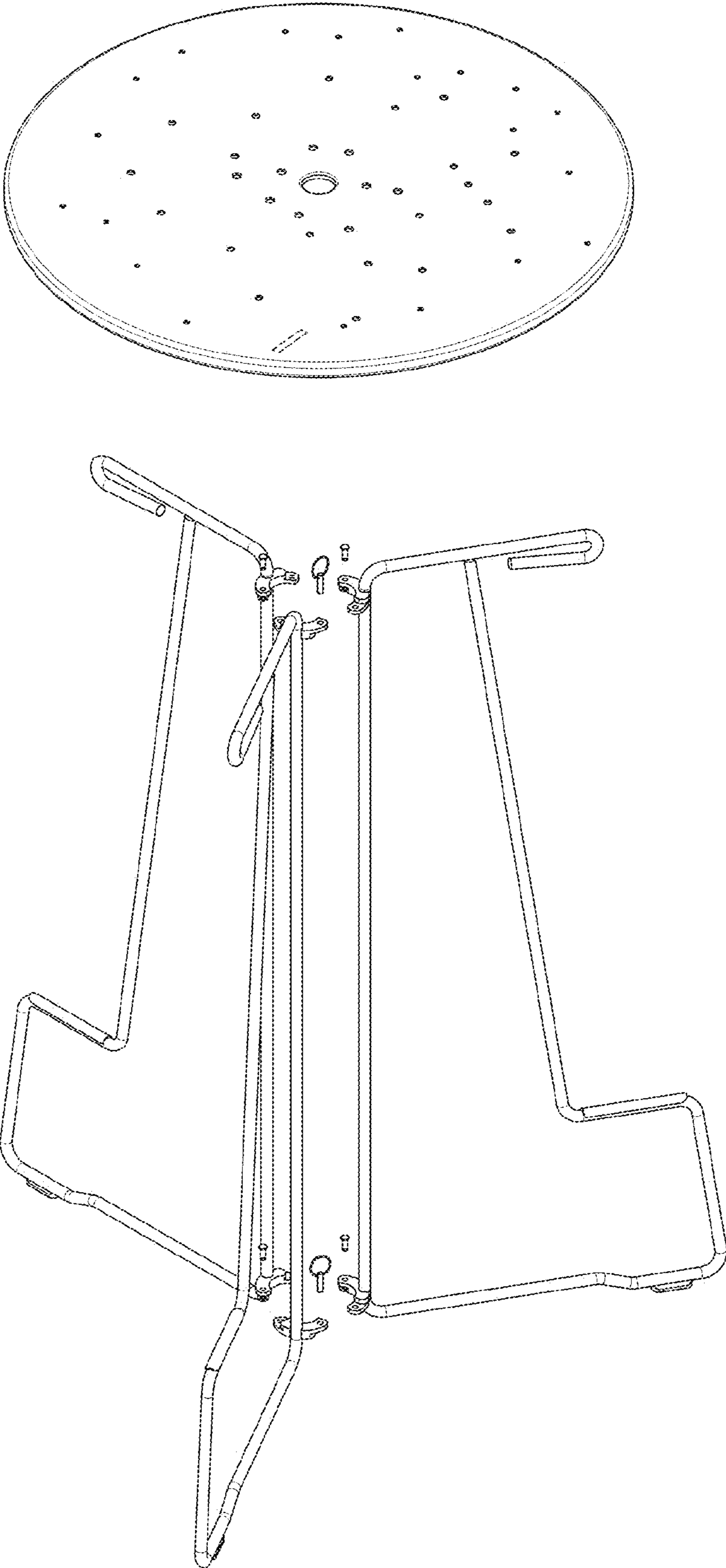


FIG. 7