



US00D972871S

(12) **United States Design Patent** (10) **Patent No.:** **US D972,871 S**
Yang (45) **Date of Patent:** **** Dec. 20, 2022**

(54) **GEAR STAND**
(71) Applicant: **Zijiang Yang**, Fontana, CA (US)
(72) Inventor: **Zijiang Yang**, Fontana, CA (US)
(**) Term: **15 Years**
(21) Appl. No.: **29/831,198**
(22) Filed: **Mar. 17, 2022**
(51) **LOC (13) Cl.** **06-04**
(52) **U.S. Cl.**
USPC **D6/681**
(58) **Field of Classification Search**
USPC D6/672, 675, 675.1, 675.2, 675.5, 681,
D6/681.1, 681.2, 682.6, 552; D32/58
CPC A47B 43/00; A47B 47/028; A47F 5/04;
A47F 7/19; A47F 5/0006; A47G 25/06;
A47G 25/0685; A47G 25/0664
See application file for complete search history.

6,454,145 B1 * 9/2002 Russ A47G 25/20
223/87
D496,180 S * 9/2004 Abruzzo D6/681.1
D534,012 S * 12/2006 Lee, Sr. D6/681.1
D544,164 S * 6/2007 Hinkens D32/58
D599,601 S * 9/2009 Mallen D6/552
D655,530 S * 3/2012 Denby D6/681.1
D664,374 S * 7/2012 Capella D6/681.3
D664,788 S * 8/2012 Baylon D6/681.1
D683,096 S * 5/2013 Stumpo D32/58
D703,329 S * 4/2014 Worcester D24/185
D704,956 S * 5/2014 English A47G 25/0671
D6/552
D720,450 S * 12/2014 Glenn D24/185
D722,796 S * 2/2015 Lievore D6/681.3
D732,505 S * 6/2015 Fujioka A47G 25/0685
D14/204
D761,601 S * 7/2016 Simmons A61M 5/1415
D6/681

(Continued)

Primary Examiner — Steven J Czyz

(57) **CLAIM**

I claim the ornamental design for a gear stand, as shown and described.

(56) **References Cited**

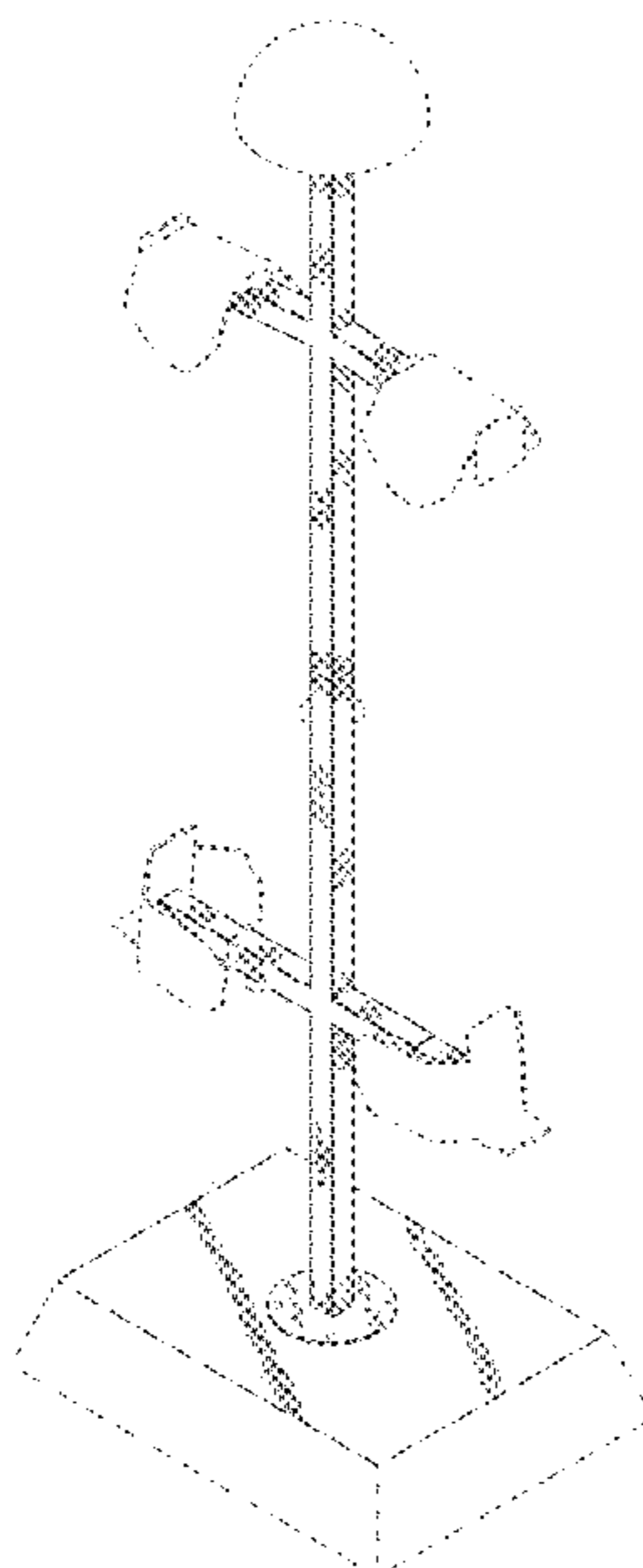
U.S. PATENT DOCUMENTS

D129,648 S * 9/1941 Dreyfuss et al. D26/108
D245,131 S * 7/1977 Johnsson D6/681.2
D270,789 S * 10/1983 Blanco D6/682.6
D334,855 S * 4/1993 Harrington D6/682.6
D339,249 S * 9/1993 Wu D6/681.1
D355,288 S * 2/1995 Mallen D32/58
D376,577 S * 12/1996 Avery D12/408
D387,216 S * 12/1997 Stone D6/403
D387,231 S * 12/1997 Turcotte D6/552
D391,419 S * 3/1998 Walters D6/404
D391,706 S * 3/1998 Malcolm 211/205
D398,469 S * 9/1998 Leong D6/552
5,862,924 A * 1/1999 Dumont A47F 5/04
211/205
5,884,826 A * 3/1999 Shaver B60R 9/06
211/195
D450,474 S * 11/2001 Sokoloff D6/681.3

DESCRIPTION

FIG. 1 is an isometric view of a gear stand showing my new design.
FIG. 2 is another isometric view thereof.
FIG. 3 is a front elevation view thereof.
FIG. 4 is a rear elevation view thereof.
FIG. 5 is a right side elevation view thereof.
FIG. 6 is a left side elevation view thereof.
FIG. 7 is a top plan view thereof; and,
FIG. 8 is a bottom plan view thereof.
The broken lines shown in the drawing illustrate other portions of the gear stand and form no part of the claimed design.

1 Claim, 7 Drawing Sheets



(56)

References Cited

U.S. PATENT DOCUMENTS

D762,403 S * 8/2016 Williams A47F 5/04
D6/681.1
D785,380 S * 5/2017 King D6/681
9,635,966 B1 * 5/2017 Procaccini A47G 25/0671
D790,144 S * 6/2017 Kelly D32/58
D812,941 S * 3/2018 Procaccini B60R 9/06
D6/681.1
D822,413 S 7/2018 Tinetti
D840,729 S * 2/2019 Irek D6/681.1
D854,863 S 7/2019 Majer
D868,513 S * 12/2019 Chiang D6/681.1
D888,474 S * 6/2020 Li D6/682.6
D908,409 S * 1/2021 Chiang D6/681
D932,217 S 10/2021 Xu
D957,853 S * 7/2022 Lancelin D6/682.6
D960,621 S * 8/2022 Kang D6/674
D961,290 S * 8/2022 Mai D6/549
2012/0024808 A1 * 2/2012 Jackson D06F 57/04
211/85.7
2012/0279936 A1 * 11/2012 Rimmer D06F 57/04
211/85.7
2015/0083678 A1 * 3/2015 Baughman A47B 43/00
211/85.3
2017/0045295 A1 * 2/2017 Durham F26B 25/06
2017/0251854 A1 * 9/2017 Moore F16M 13/02
2019/0070472 A1 * 3/2019 Duran A47F 5/04
2019/0143030 A1 * 5/2019 Greer A61M 5/1415
220/475
2019/0320794 A1 * 10/2019 Sanchez A47B 43/00
2021/0030181 A1 * 2/2021 Wobig A47G 25/0685

* cited by examiner

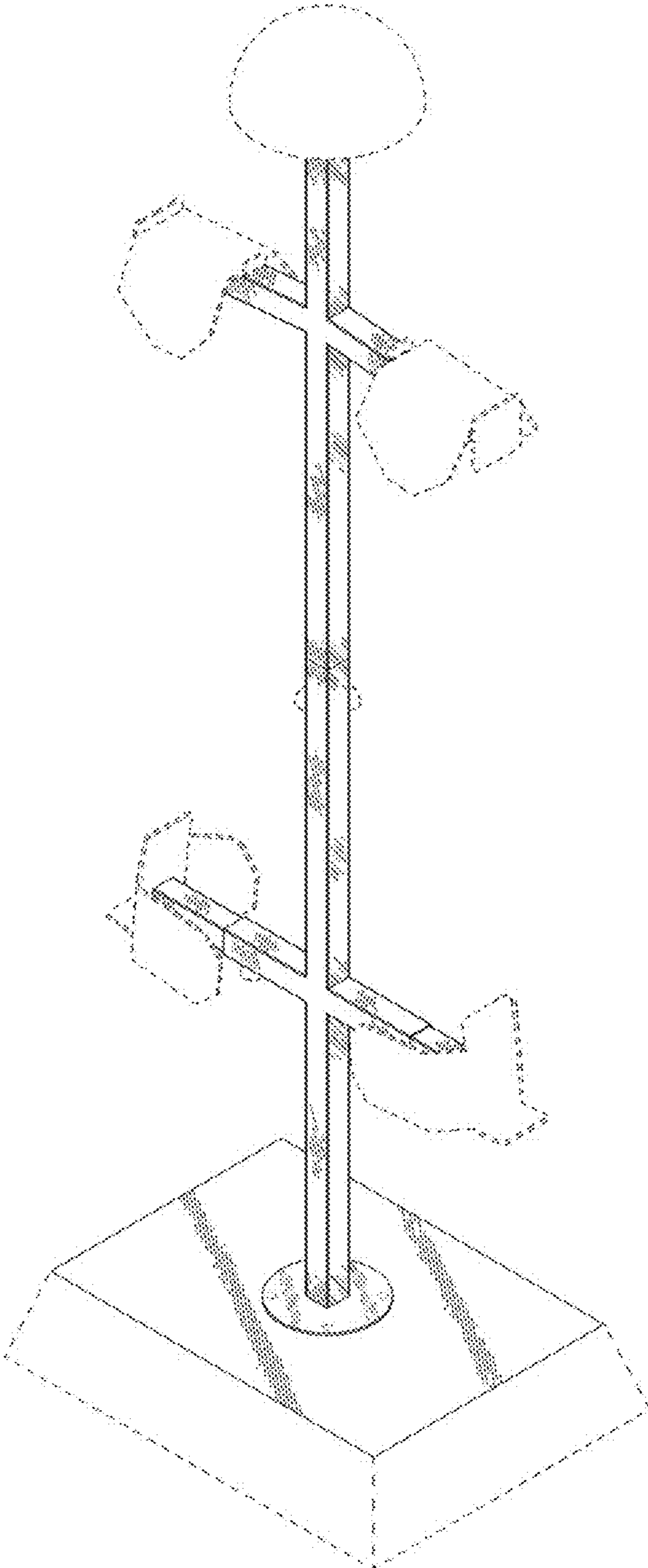


Fig. 1

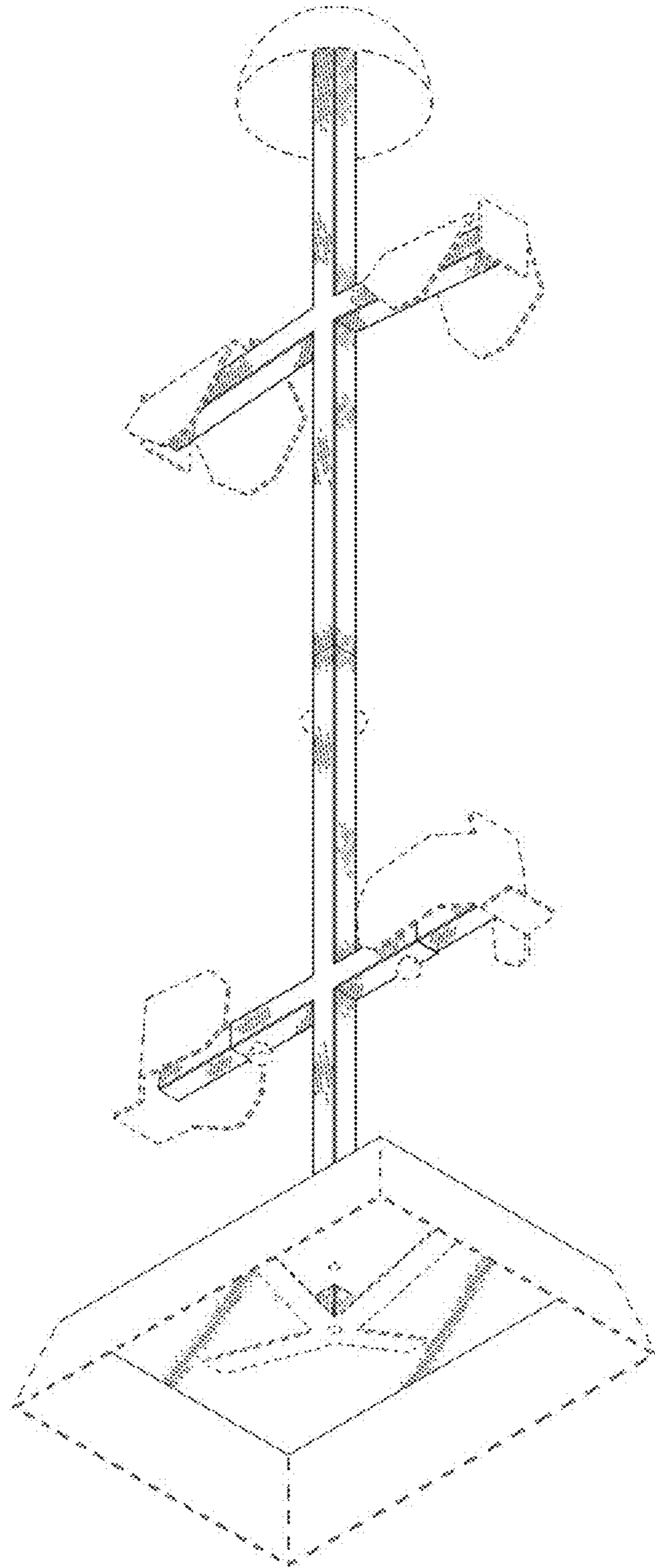


Fig. 2

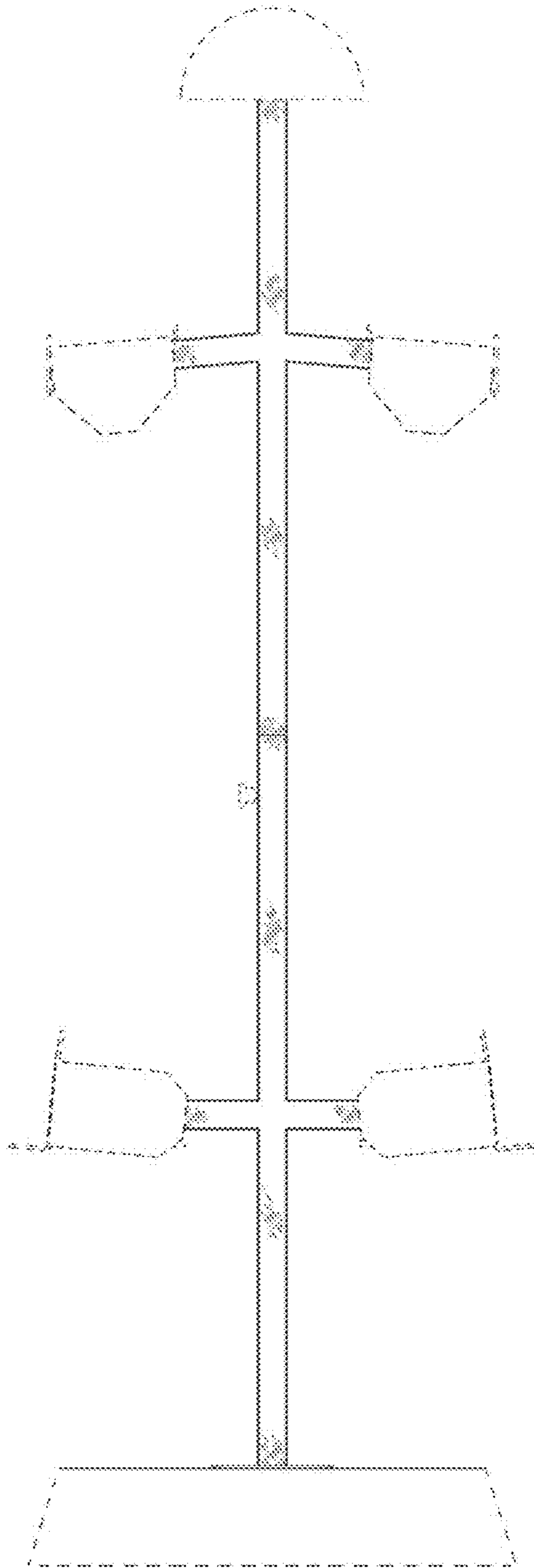


Fig. 3

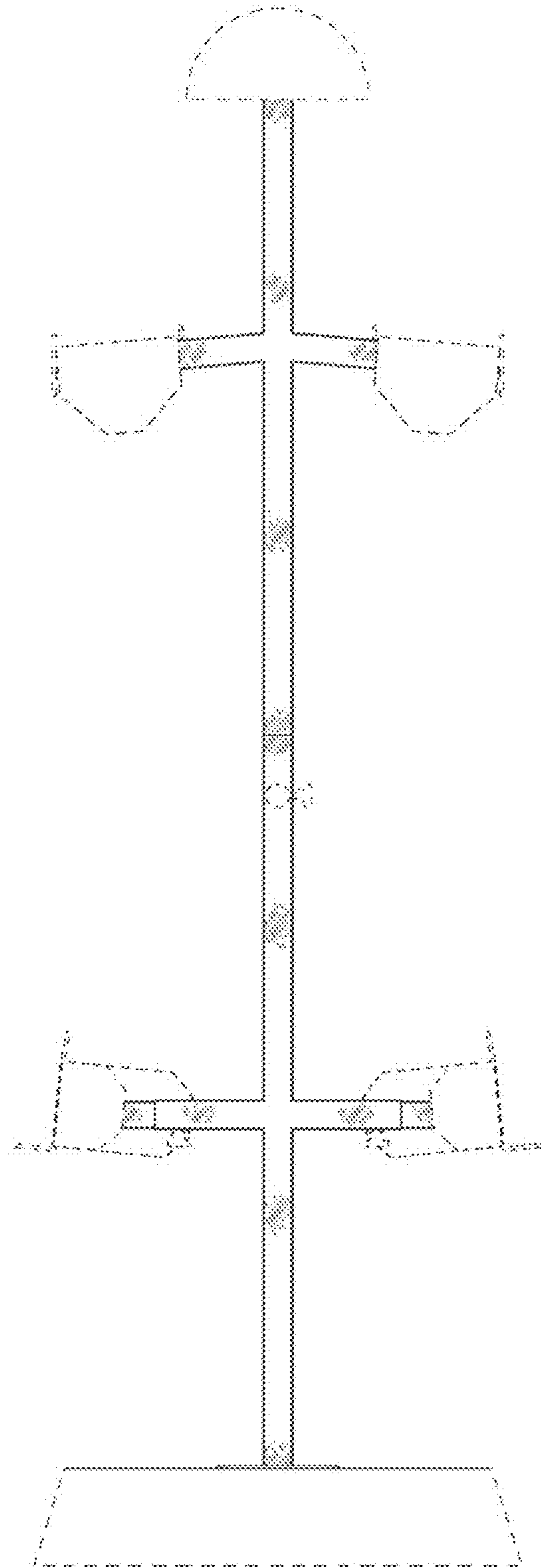


Fig. 4

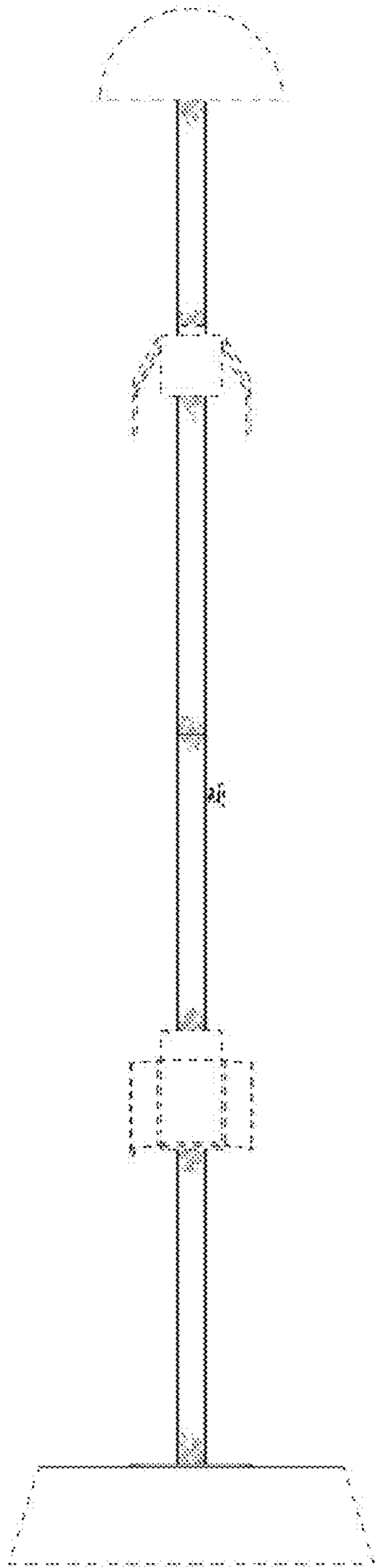


Fig. 5

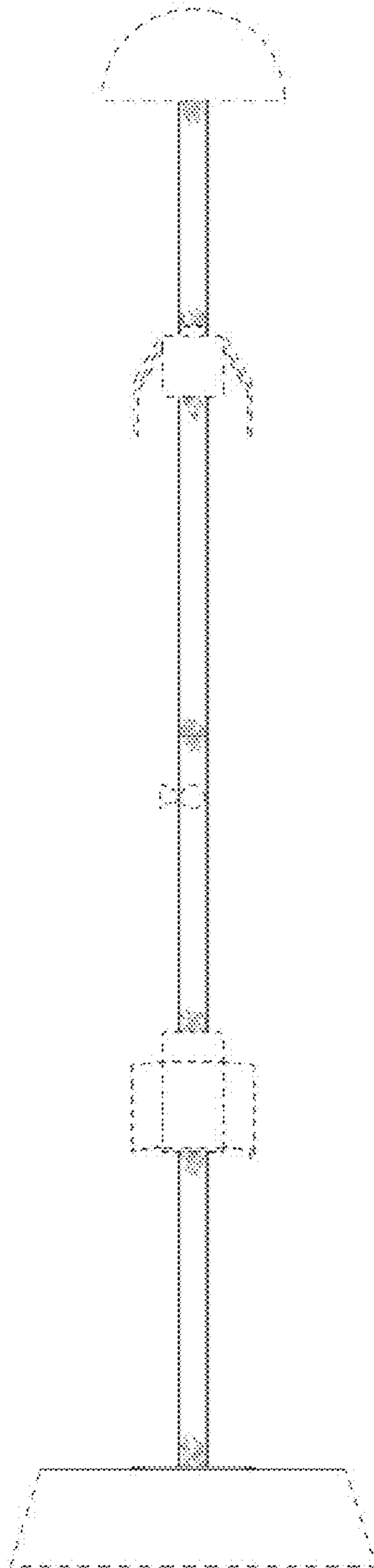


Fig. 6

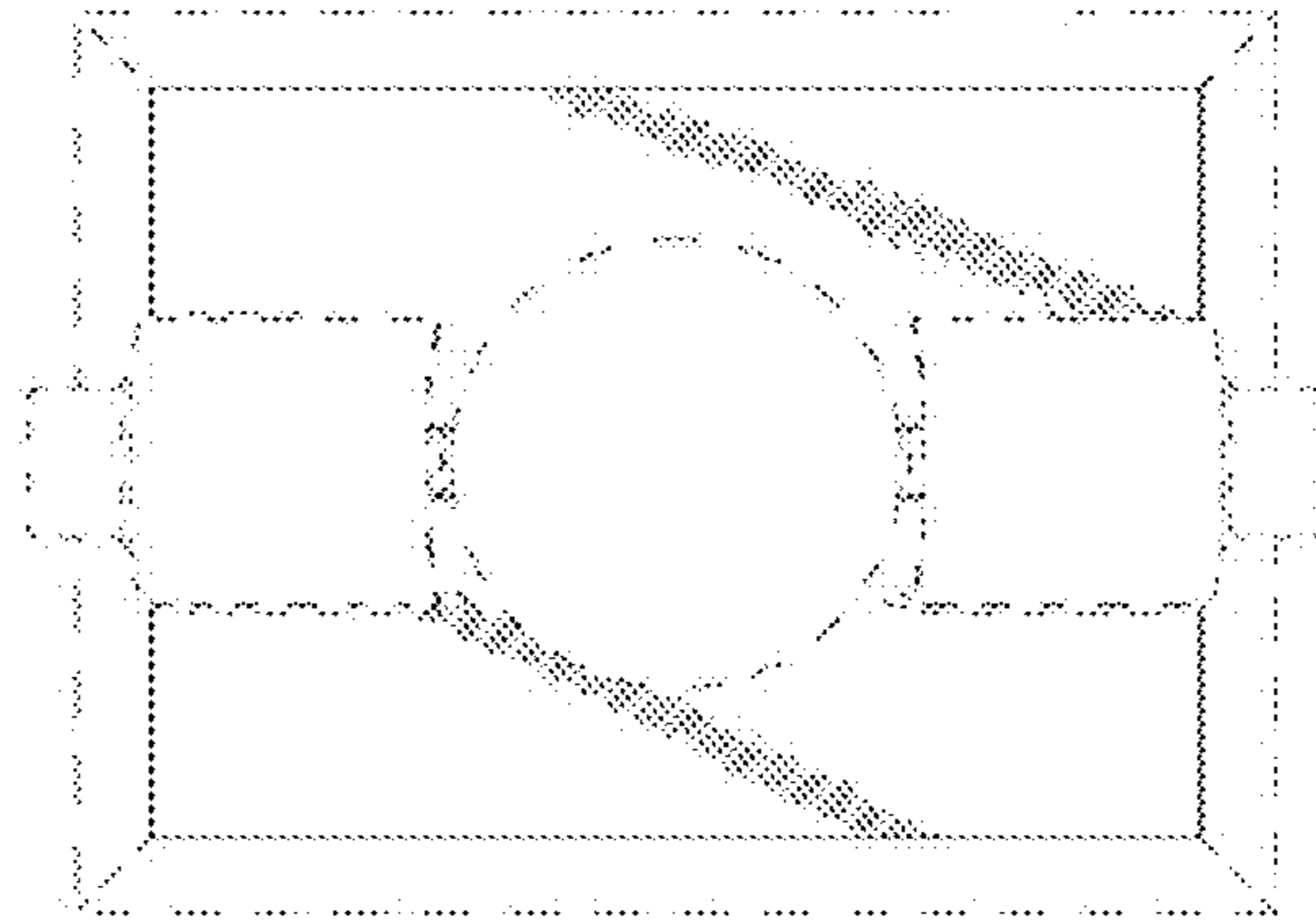


Fig. 7

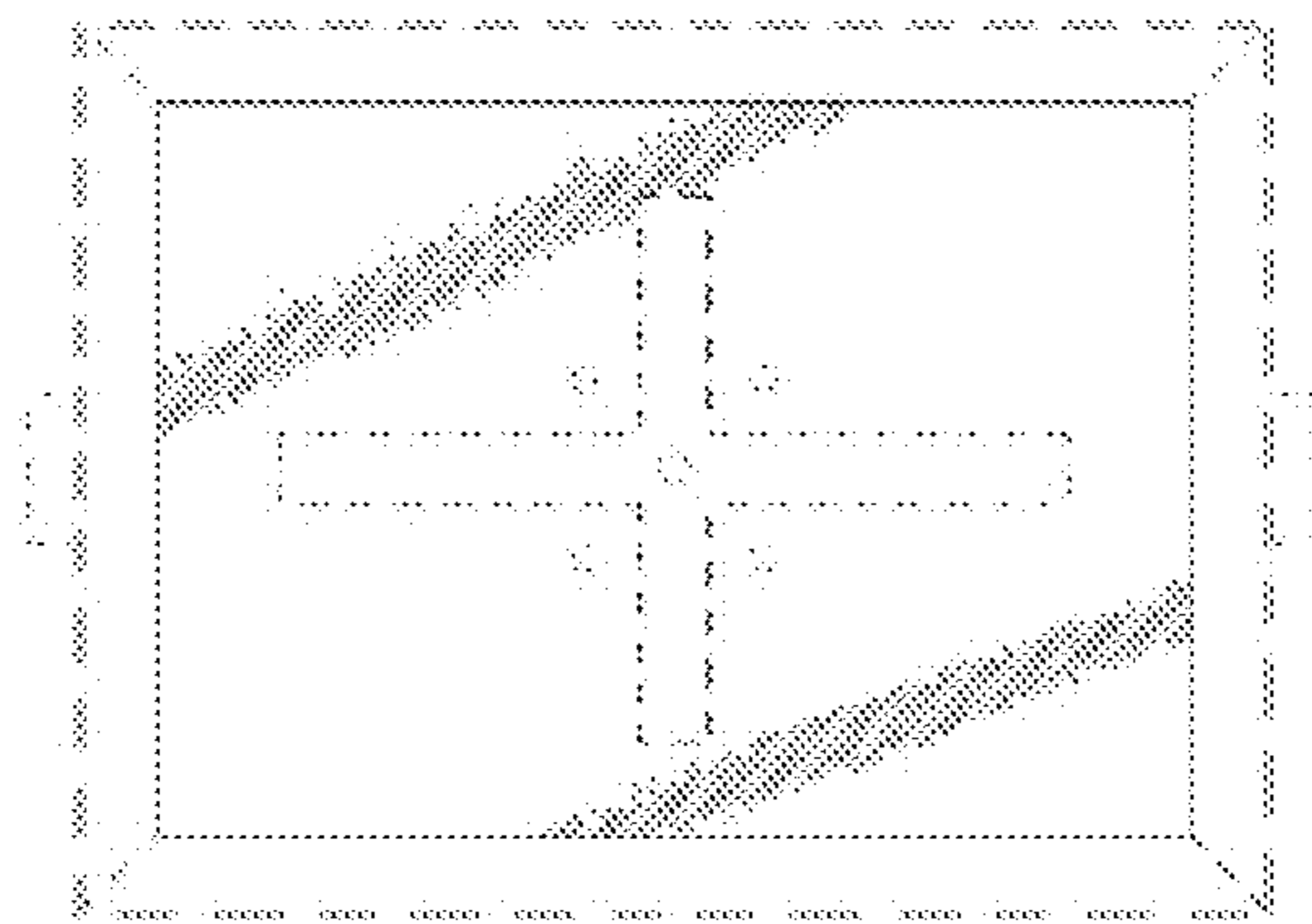


Fig. 8