



US00D972869S

(12) **United States Design Patent** (10) **Patent No.:** **US D972,869 S**
Sun (45) **Date of Patent:** **** Dec. 20, 2022**

(54) **BAKER'S RACK**
(71) Applicant: **PRAISUN INC.**, Chicago, IL (US)
(72) Inventor: **Dongyang Sun**, Jiangsu (CN)
(73) Assignee: **PRAISUN INC.**, Chicago, IL (US)
(**) Term: **15 Years**
(21) Appl. No.: **29/835,410**
(22) Filed: **Apr. 19, 2022**
(51) **LOC (13) Cl.** **06-06**
(52) **U.S. Cl.**
USPC **D6/675.1**
(58) **Field of Classification Search**
USPC D6/641, 653, 653.1, 655, 672, 675,
D6/675.1, 675.3, 675.5
CPC A47F 5/0018; A47F 5/0043; A47F 5/0062;
A47B 47/00; A47B 47/021; A47B 81/04;
A47B 47/04
See application file for complete search history.

(56) **References Cited**

U.S. PATENT DOCUMENTS

1,459,930 A * 6/1923 Riehle B25H 1/12
144/285
1,582,100 A * 4/1926 Troppman B24B 13/00
144/286.5
D244,982 S * 7/1977 Parra D6/675.3
D248,915 S * 8/1978 Brandenfels D6/672
D343,534 S * 1/1994 Holsapple D6/662.1
D358,509 S 5/1995 Klein
D379,724 S * 6/1997 Lo D6/662.1
D391,421 S * 3/1998 Steelman D6/675.1
D397,888 S 9/1998 Teng
D407,242 S 3/1999 Tseng
D415,365 S * 10/1999 Nicklas D6/684
D423,820 S 5/2000 Walters-Dowding et al.
D426,085 S * 6/2000 Shu-Fen D6/653.11

D449,466 S 10/2001 Tseng
D469,270 S * 1/2003 Hawang D6/653.14
D476,825 S 7/2003 Adams
D508,801 S * 8/2005 Holst D6/675.1
D702,467 S * 4/2014 Huang A47B 47/04
D6/707.19
D706,064 S * 6/2014 Ota D6/675.3
D808,200 S * 1/2018 Davis D6/675.1
D860,689 S * 9/2019 Davis D6/672
D883,719 S * 5/2020 Li D6/675.1
D903,384 S * 12/2020 Davis D6/675.1
D907,407 S * 1/2021 Davis D6/654.1
D909,800 S * 2/2021 Peng D6/672
D912,444 S * 3/2021 Peng D6/672
D912,445 S * 3/2021 Peng D6/672
D915,802 S * 4/2021 Dai D6/675.1
D923,377 S * 6/2021 Mohan D6/698
D947,577 S * 4/2022 Hu D6/654.1
D953,074 S * 5/2022 Lin D6/675.3

* cited by examiner

Primary Examiner — Kelley A Donnelly

(74) *Attorney, Agent, or Firm* — Dragon Sun Law Firm,
PC; Jinggao Li; Nathaniel Perkins

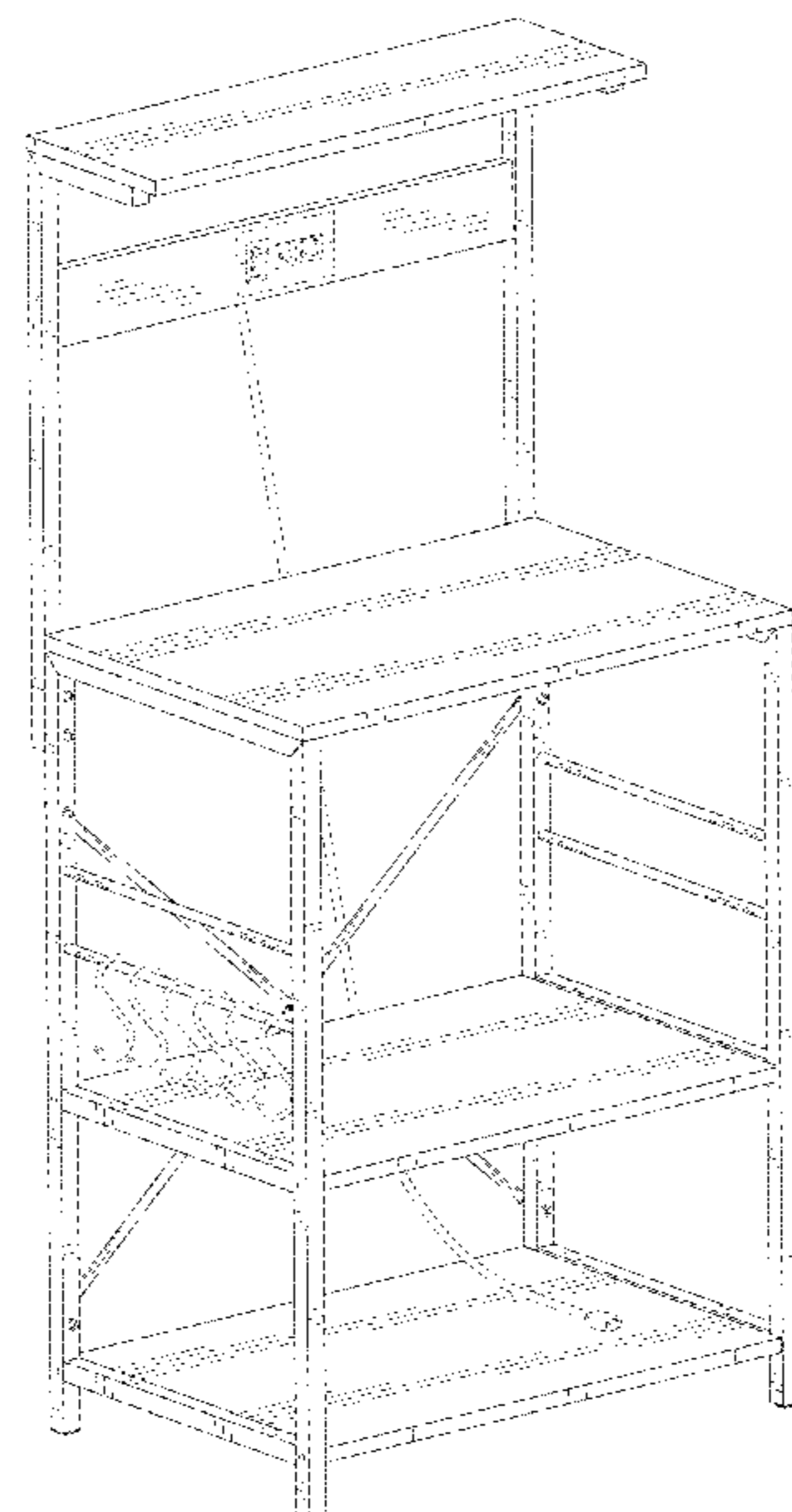
(57) **CLAIM**

The ornamental design for a baker's rack, as shown and described.

DESCRIPTION

FIG. 1 is a front, left perspective view of a baker's rack showing my new design;
FIG. 2 is a front view thereof;
FIG. 3 is a rear view thereof;
FIG. 4 is a right view thereof;
FIG. 5 is a left view thereof;
FIG. 6 is a top view thereof; and,
FIG. 7 is a bottom view thereof.
The broken lines shown on the drawings depict portions of the baker's rack that form no part of the claimed design.

1 Claim, 7 Drawing Sheets



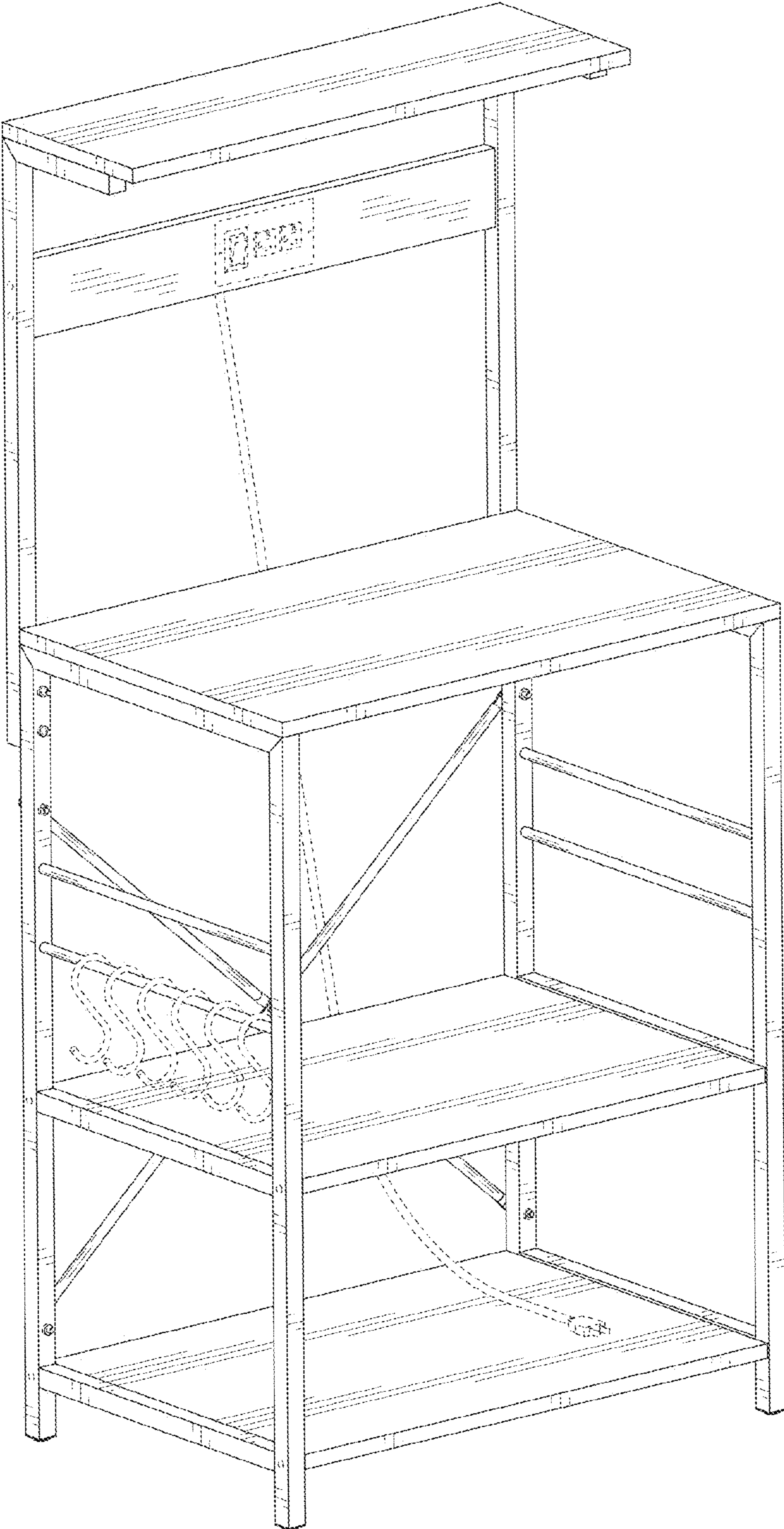


FIG. 1

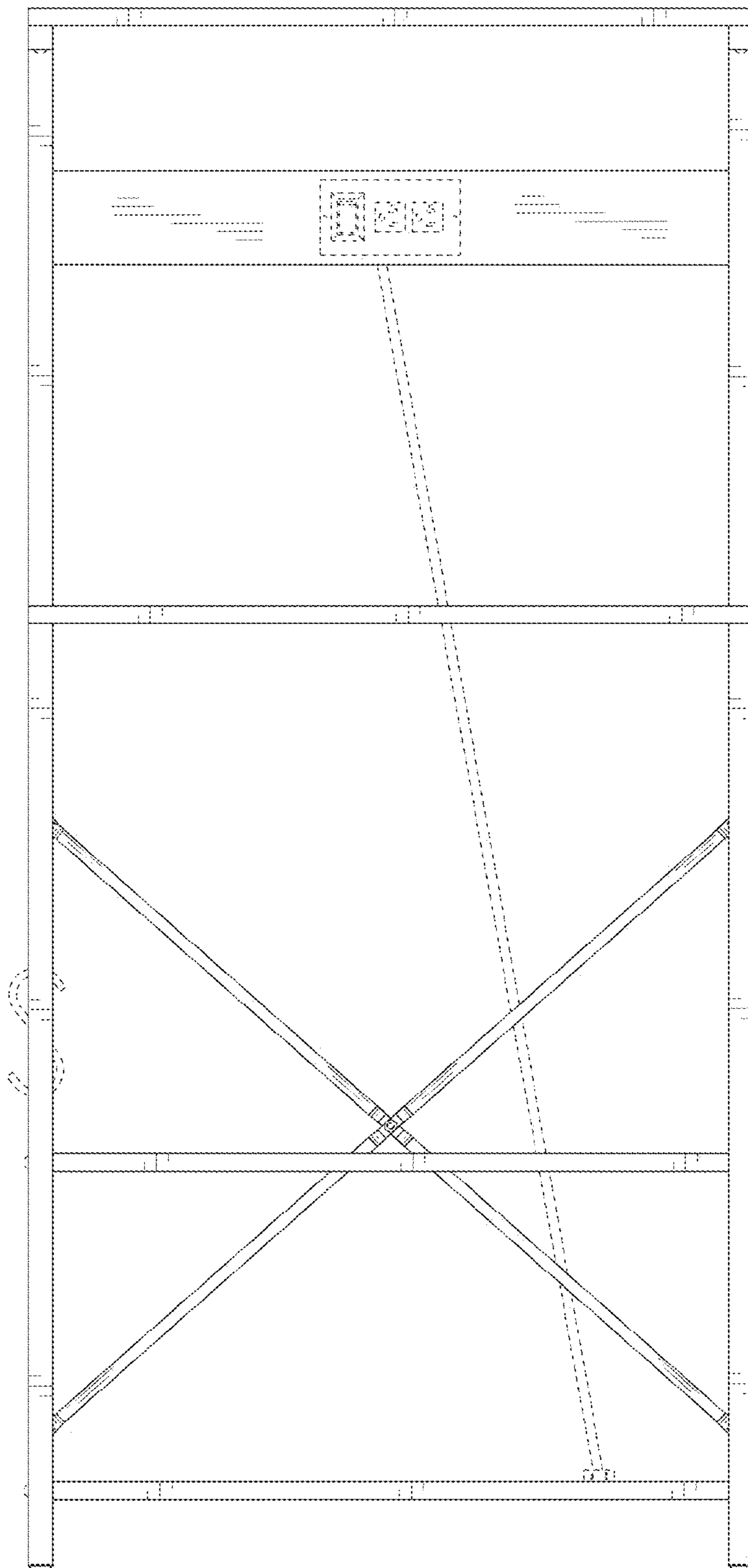


FIG. 2

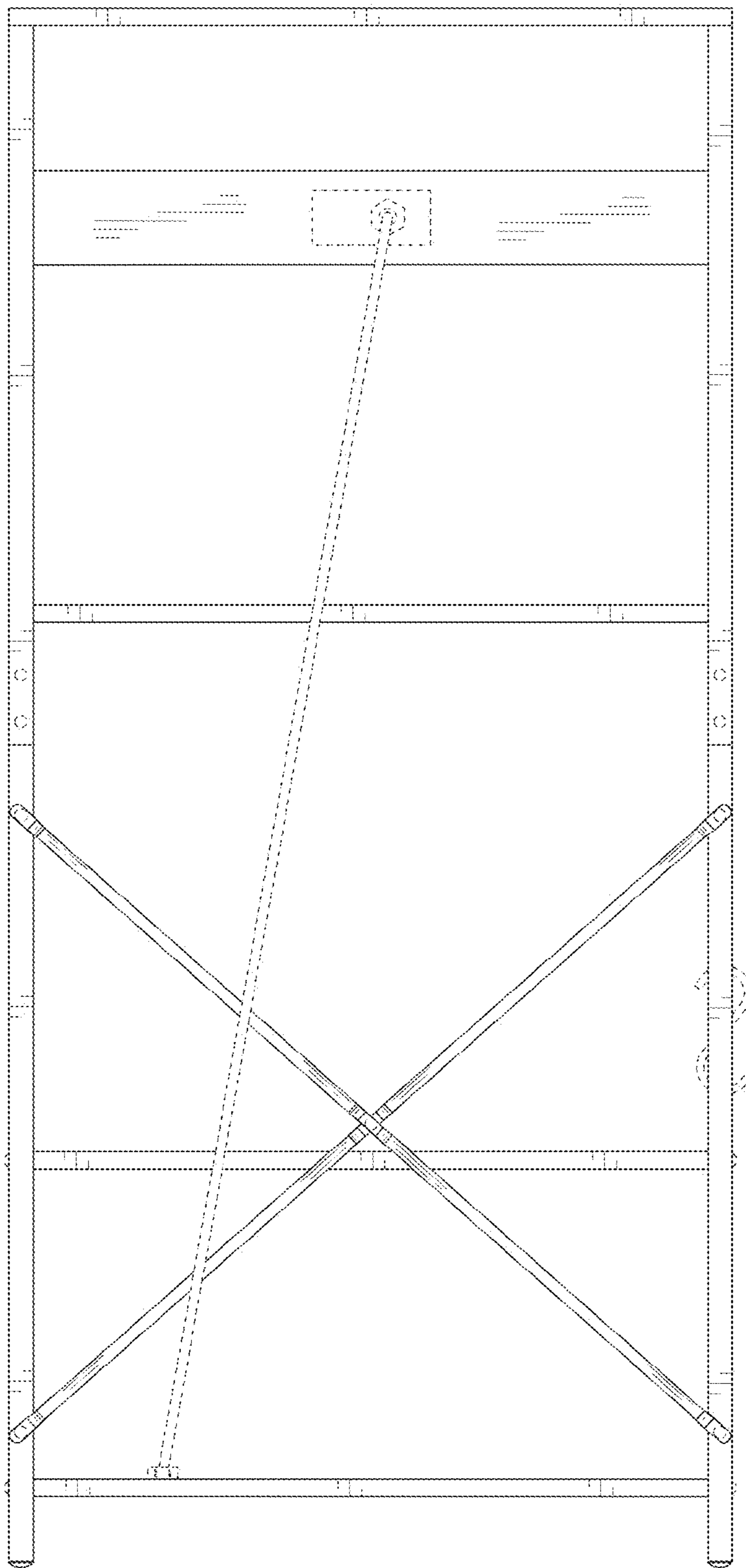


FIG. 3

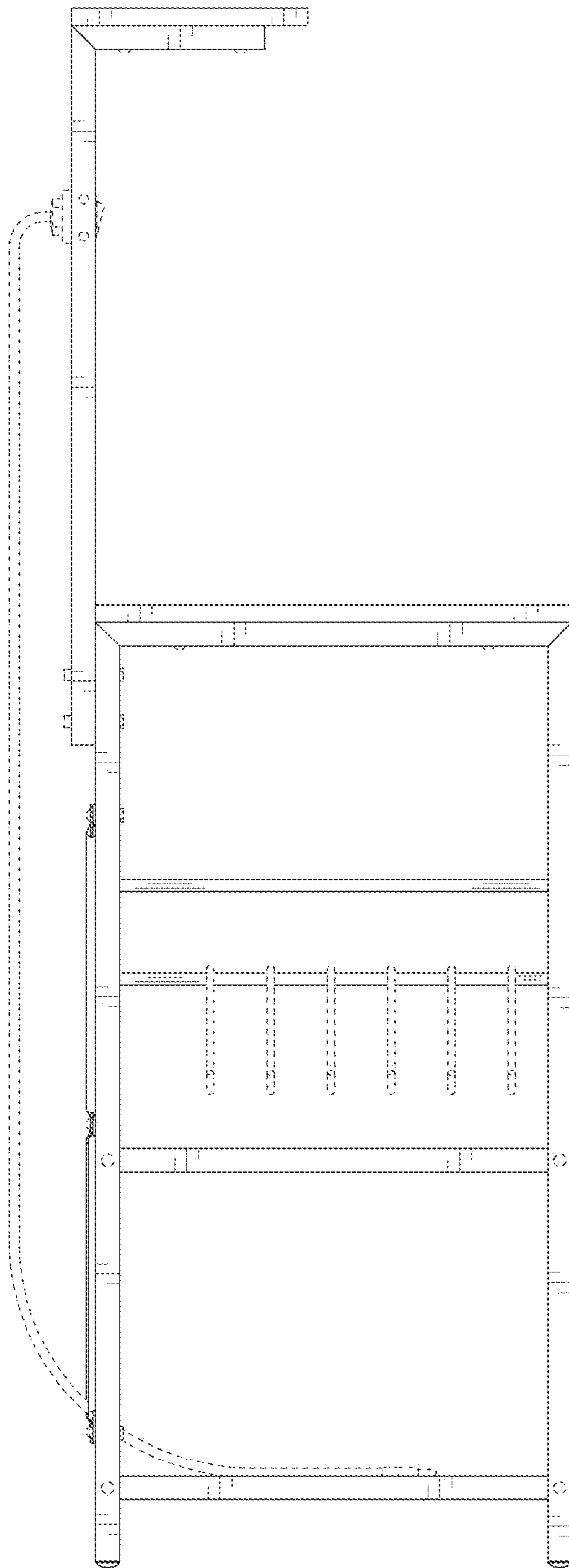


FIG. 4

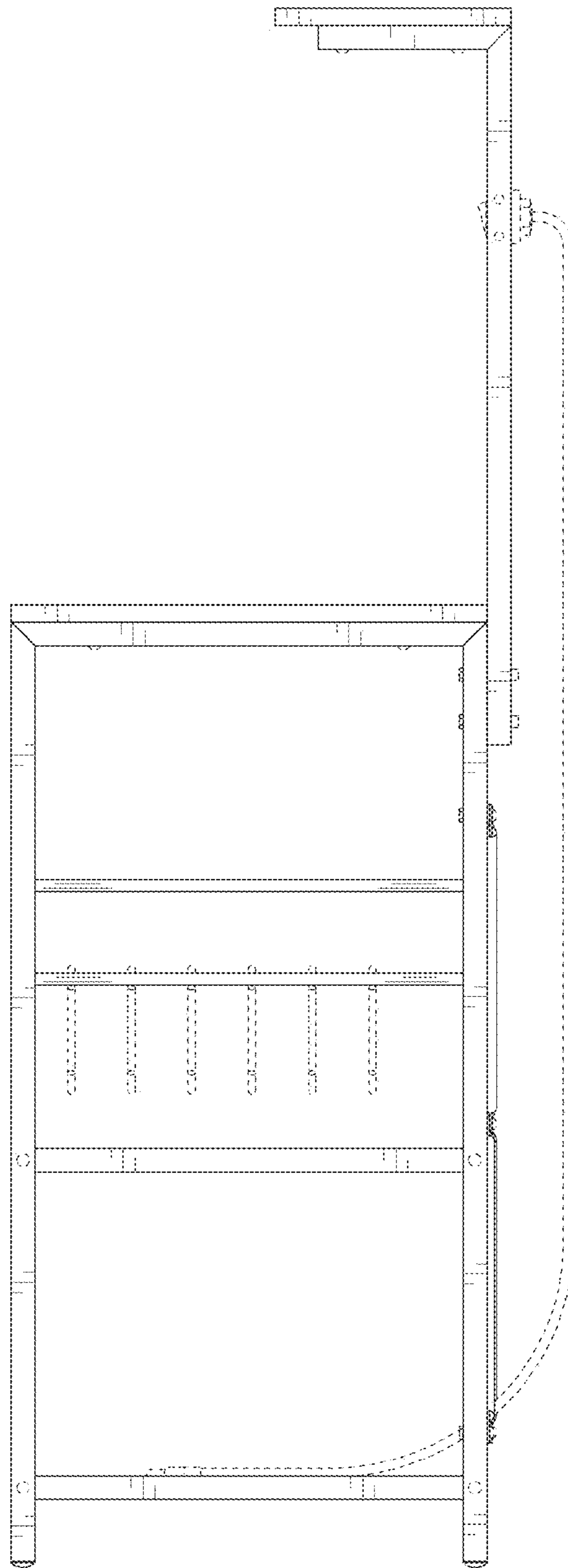


FIG. 5

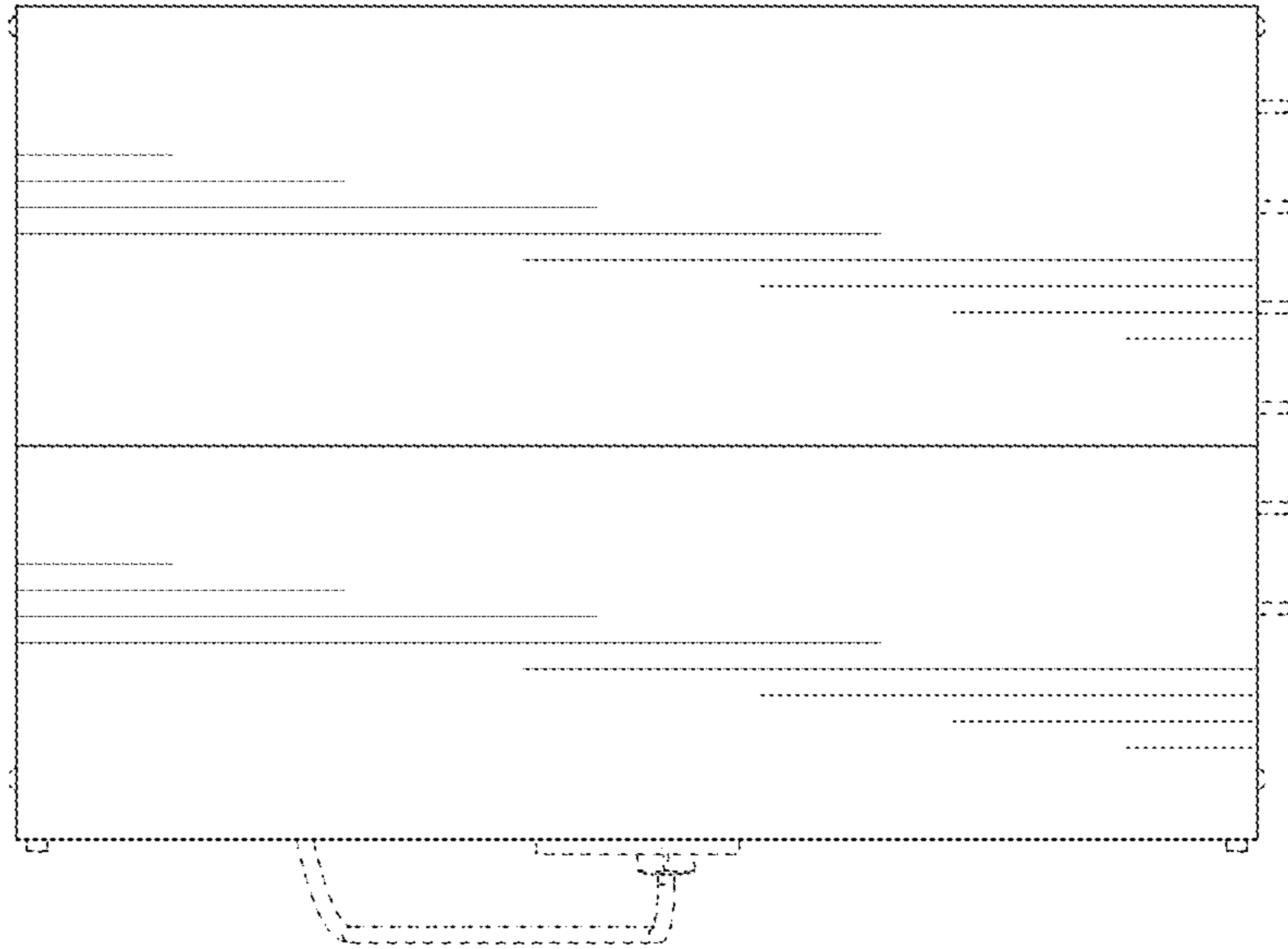


FIG. 6

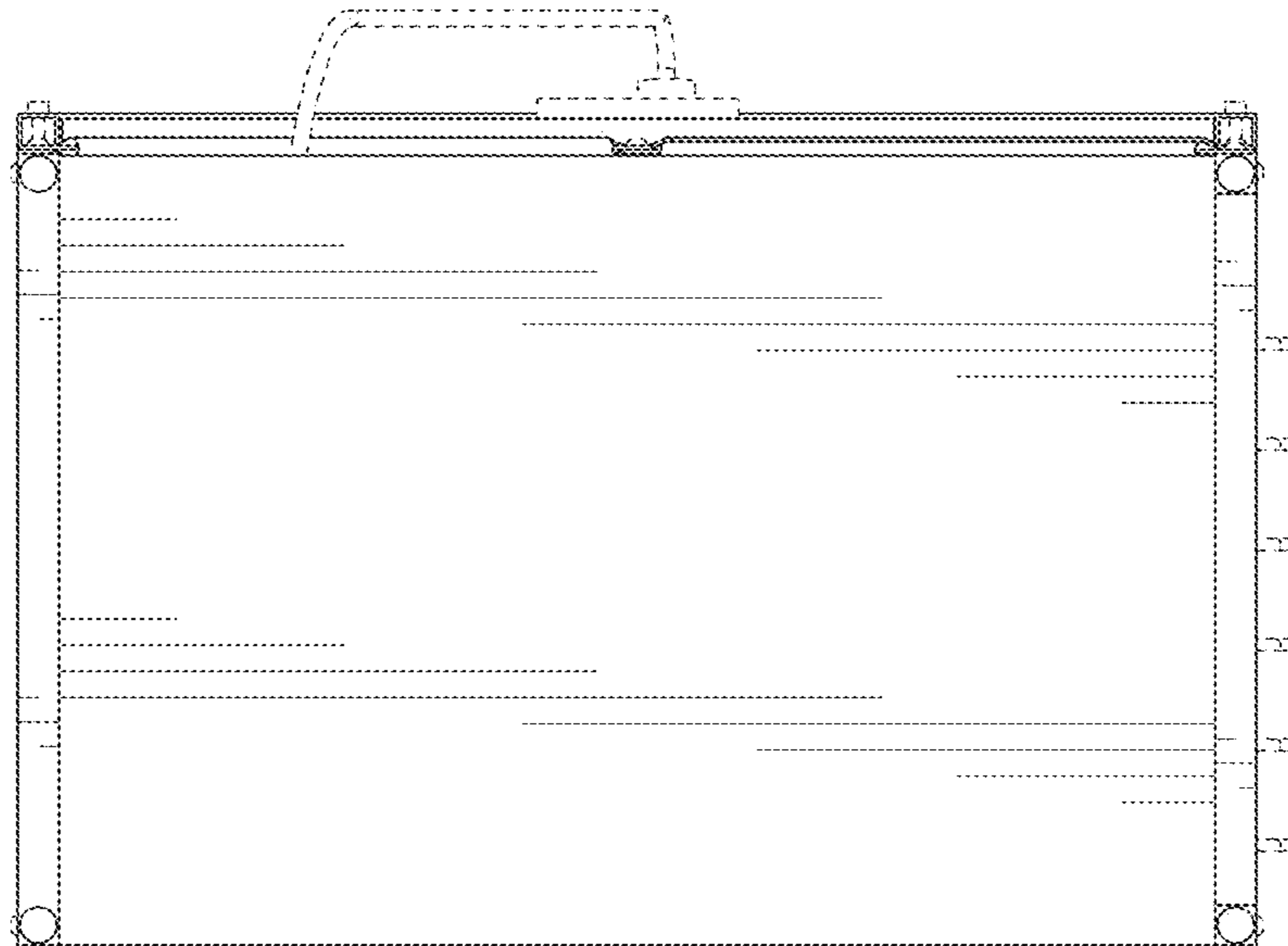


FIG. 7