



US00D972868S

(12) **United States Design Patent**
Zhang

(10) **Patent No.:** **US D972,868 S**

(45) **Date of Patent:** **** Dec. 20, 2022**

- (54) **BUCKET STORAGE RACK**
- (71) Applicant: **Zhengzhou Yannuo Intelligent Technology Co., Ltd., Zhengzhou (CN)**
- (72) Inventor: **Zhuofeng Zhang, Zhengzhou (CN)**
- (**) Term: **15 Years**
- (21) Appl. No.: **29/824,223**
- (22) Filed: **Jan. 23, 2022**
- (51) **LOC (13) Cl.** **06-06**
- (52) **U.S. Cl.**
USPC **D6/675.1**
- (58) **Field of Classification Search**
USPC D6/672, 675, 675.1, 683, 683.1, 705,
D6/705.3
CPC A47F 5/0018; A47F 5/0043; A47F 7/00;
A47F 7/0057; A47F 7/28; B25H 3/00;
B25H 3/04
See application file for complete search history.

- D454,444 S * 3/2002 Henry D6/653
- D464,829 S * 10/2002 Henry D6/703
- D475,554 S * 6/2003 Ming-Shiue D6/675
- D476,172 S * 6/2003 Bourne, Sr. D6/675
- D476,510 S * 7/2003 Henry D6/675.1
- D833,782 S 11/2018 Amacher, Jr.
- D906,025 S * 12/2020 Bell D6/675.1
- D924,607 S 7/2021 Lo
- D924,608 S * 7/2021 Robins D6/678.1
- D935,243 S * 11/2021 Johnson D6/675.1
- D937,018 S 11/2021 Liu
- D942,809 S * 2/2022 Chen D7/600.4
- D945,802 S * 3/2022 Bell D6/675.1

* cited by examiner

Primary Examiner — Kelley A Donnelly
(74) *Attorney, Agent, or Firm* — Che-Yang Chen; Law Office of Michael Chen

(57) **CLAIM**

The ornamental design for a bucket storage rack, as shown and described.

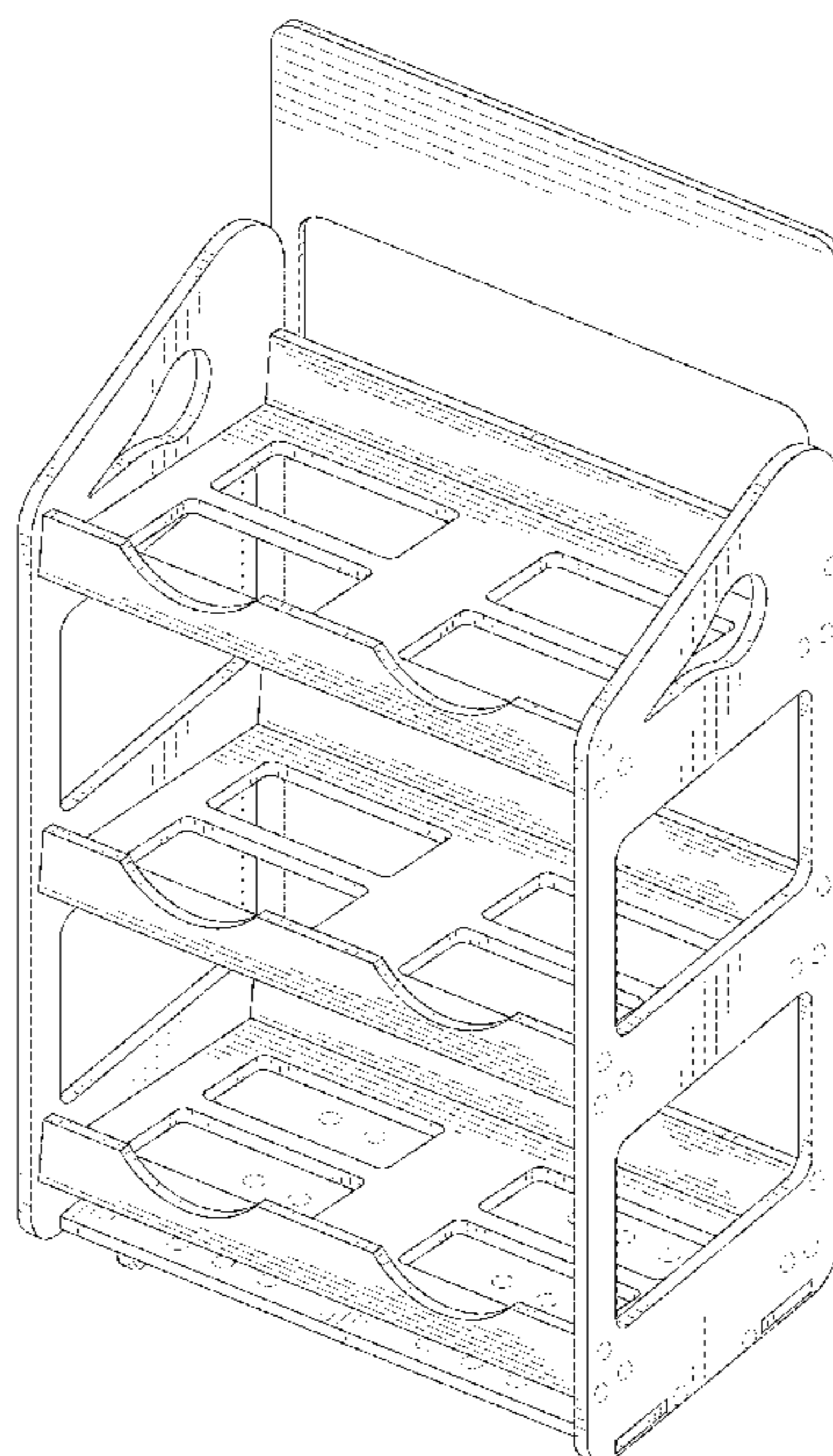
DESCRIPTION

FIG. 1 is a perspective view of the bucket storage rack showing my new design;
FIG. 2 is a perspective view thereof from another angle;
FIG. 3 is a front elevational view thereof;
FIG. 4 is a rear elevational view thereof;
FIG. 5 is a left side elevational view thereof;
FIG. 6 is a right side elevational view thereof;
FIG. 7 is a top plan view thereof;
FIG. 8 is a bottom plan view thereof;
FIG. 9 is a partial enlarged view of portion 9 in FIG. 2;
FIG. 10 is a partial enlarged view of portion 10 in FIG. 3;
and,
FIG. 11 is a partial enlarged view of portion 11 in FIG. 4.

1 Claim, 11 Drawing Sheets

(56) **References Cited**
U.S. PATENT DOCUMENTS

- D190,500 S * 6/1961 Harper D34/21
- D190,587 S * 6/1961 Magers D6/675.4
- 3,149,726 A * 9/1964 Magers A47F 7/144
108/115
- 3,464,565 A * 9/1969 Nevai A47B 47/00
211/186
- 3,549,019 A * 12/1970 Kahler A47F 5/116
211/186
- D235,295 S * 6/1975 Junion D34/21
- D306,942 S * 4/1990 Patke D7/704
- D337,673 S * 7/1993 Goetz D6/675.4
- D386,871 S * 11/1997 Halvorson, Jr. D34/21
- D418,694 S * 1/2000 McColskey D6/675.4
- D427,458 S * 7/2000 McColskey D6/675.4



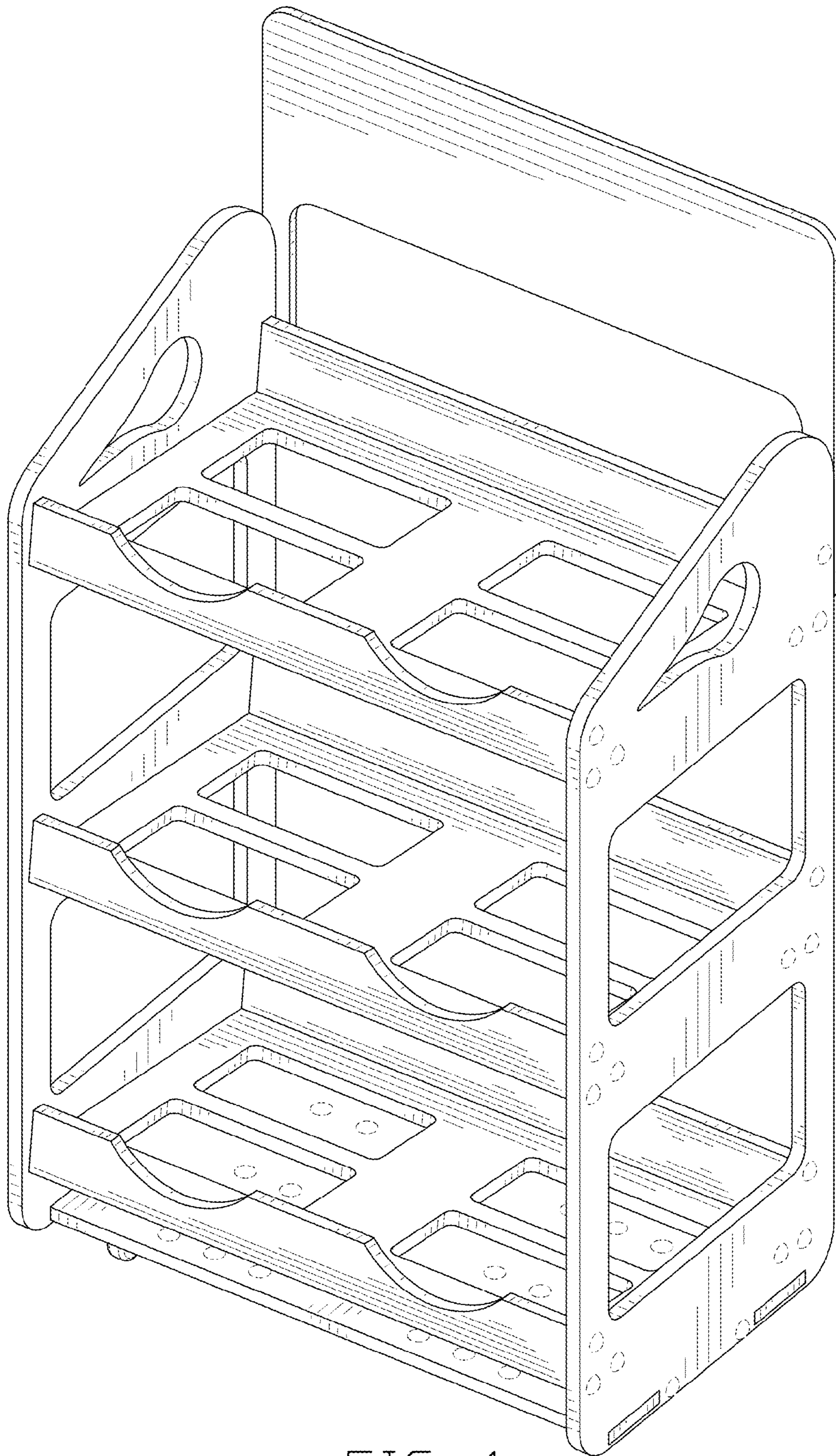


FIG. 1

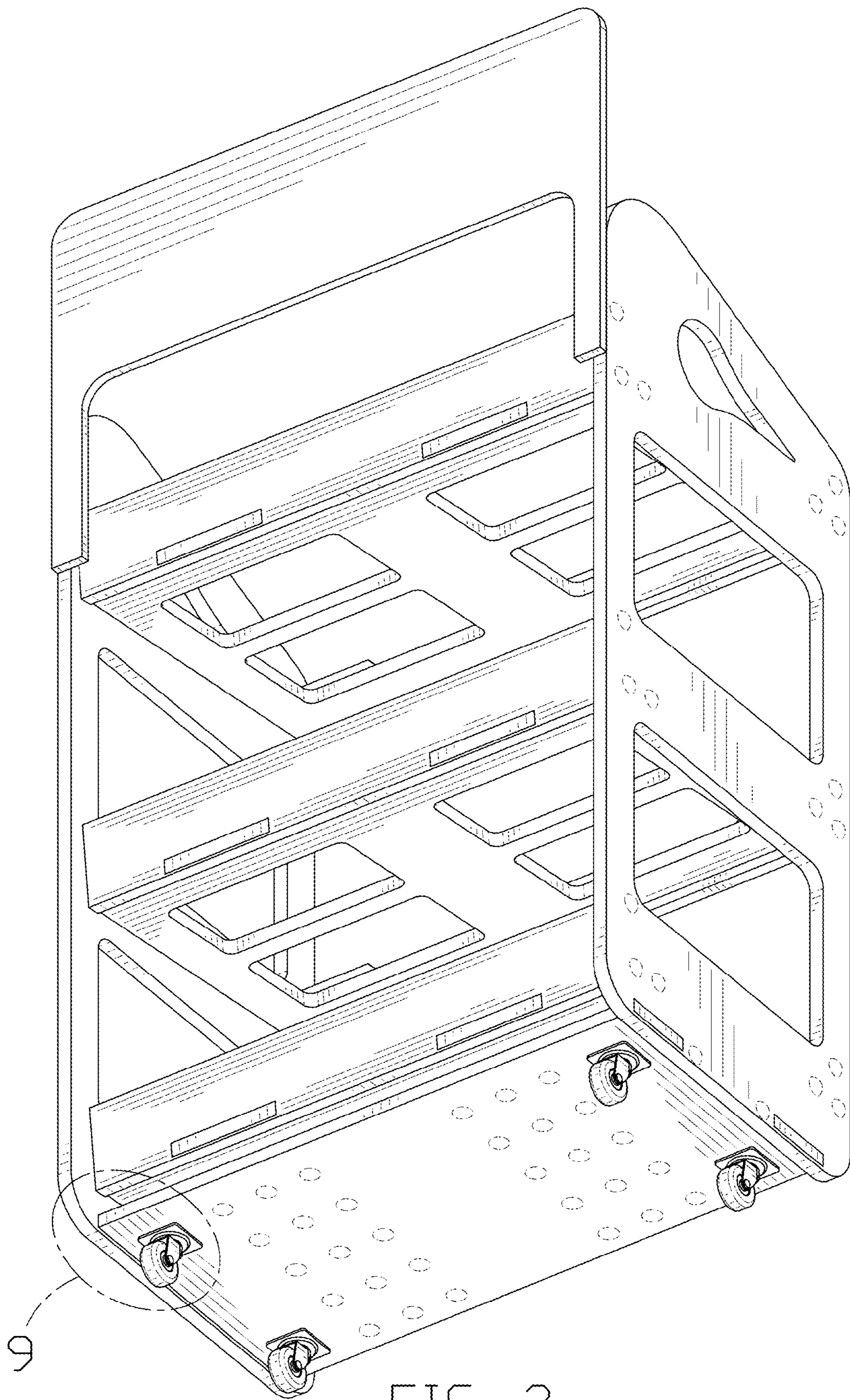


FIG. 2

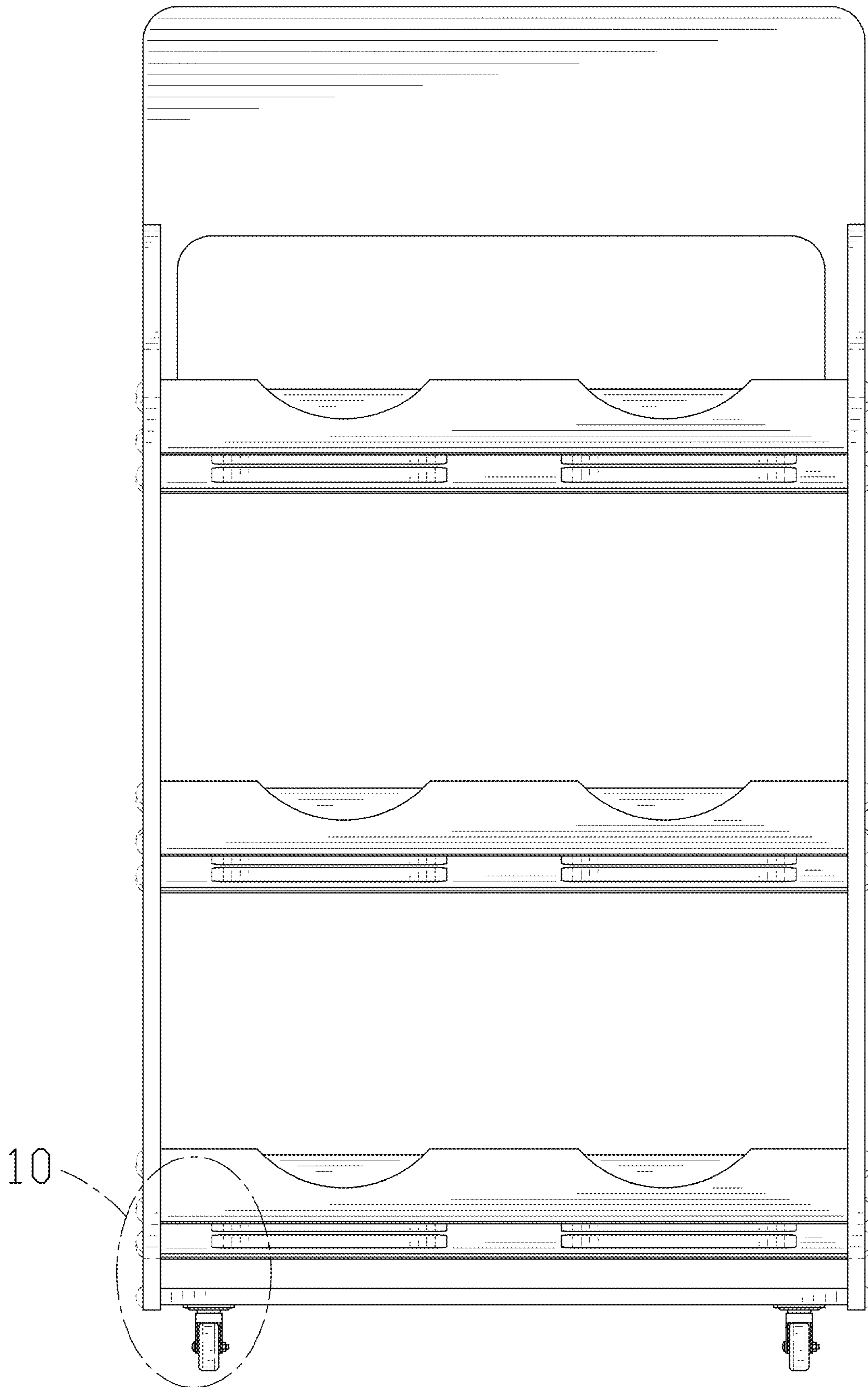


FIG. 3

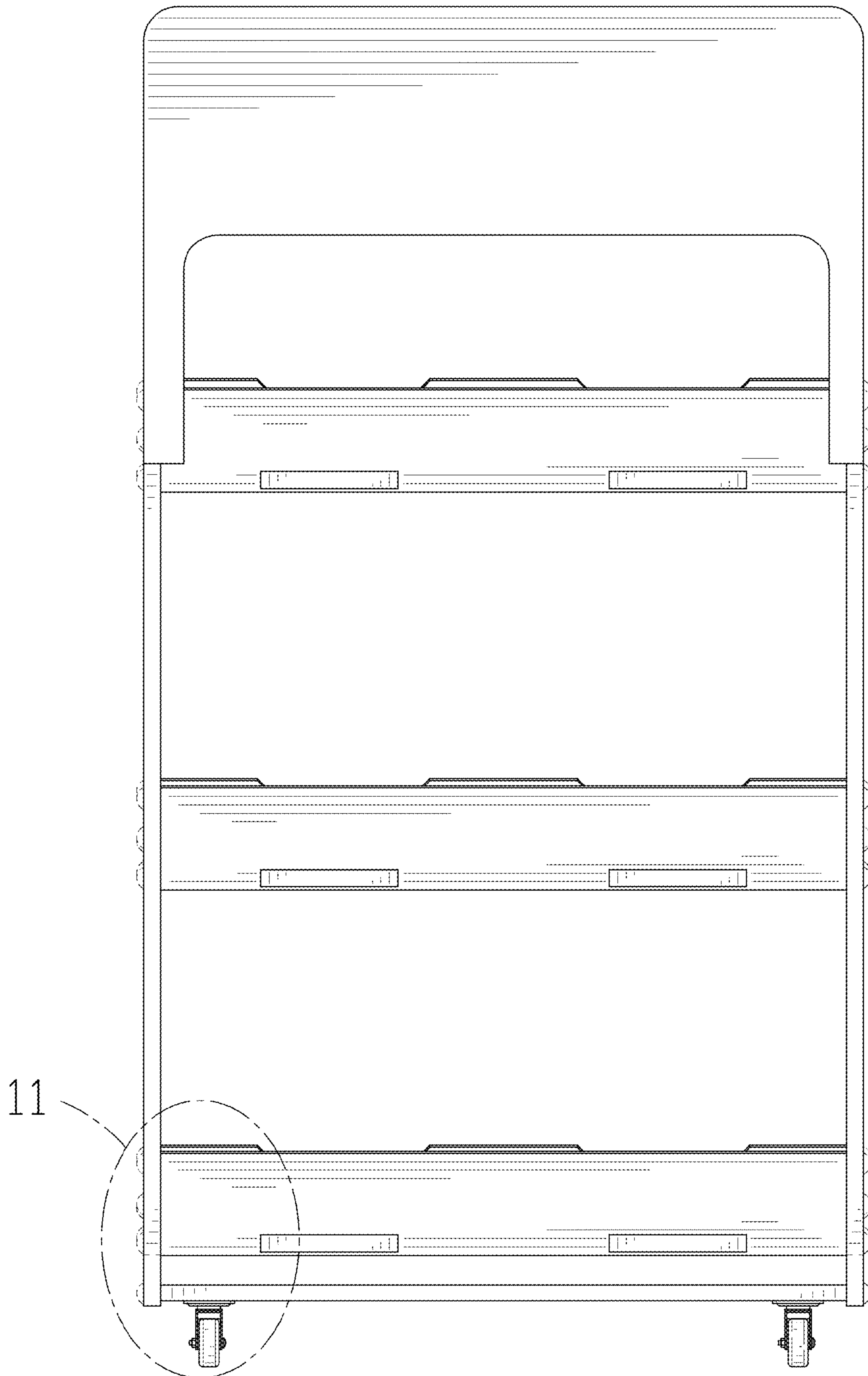


FIG. 4

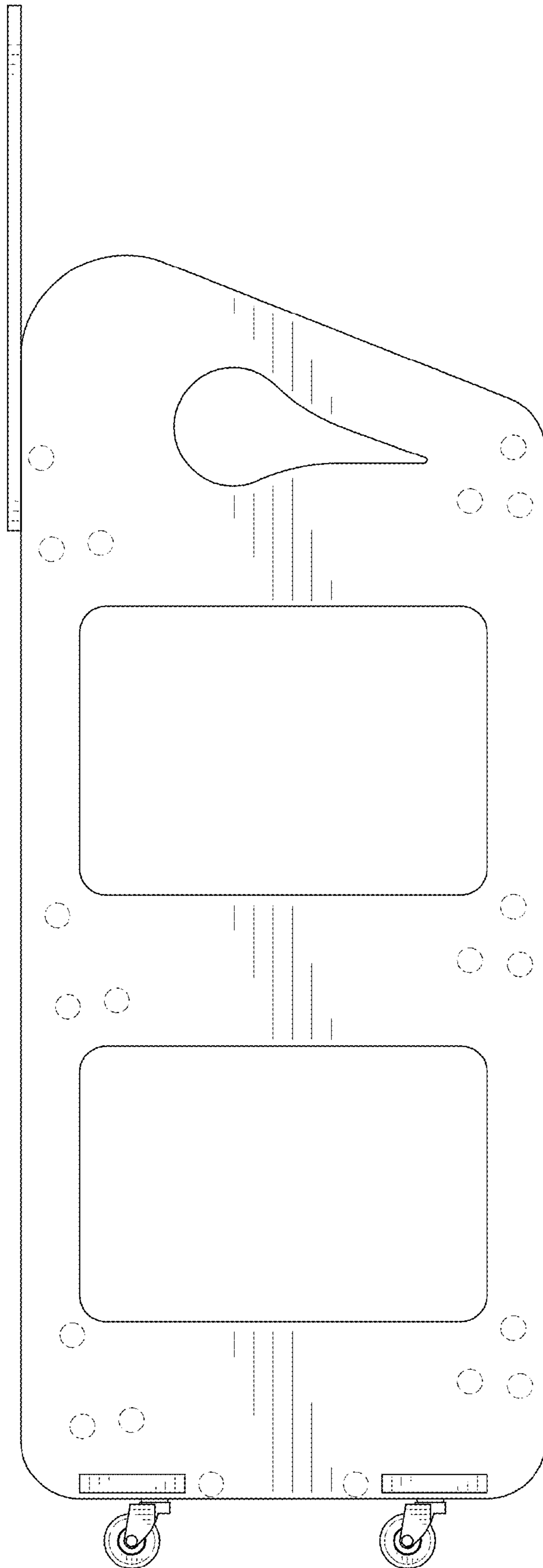


FIG. 5

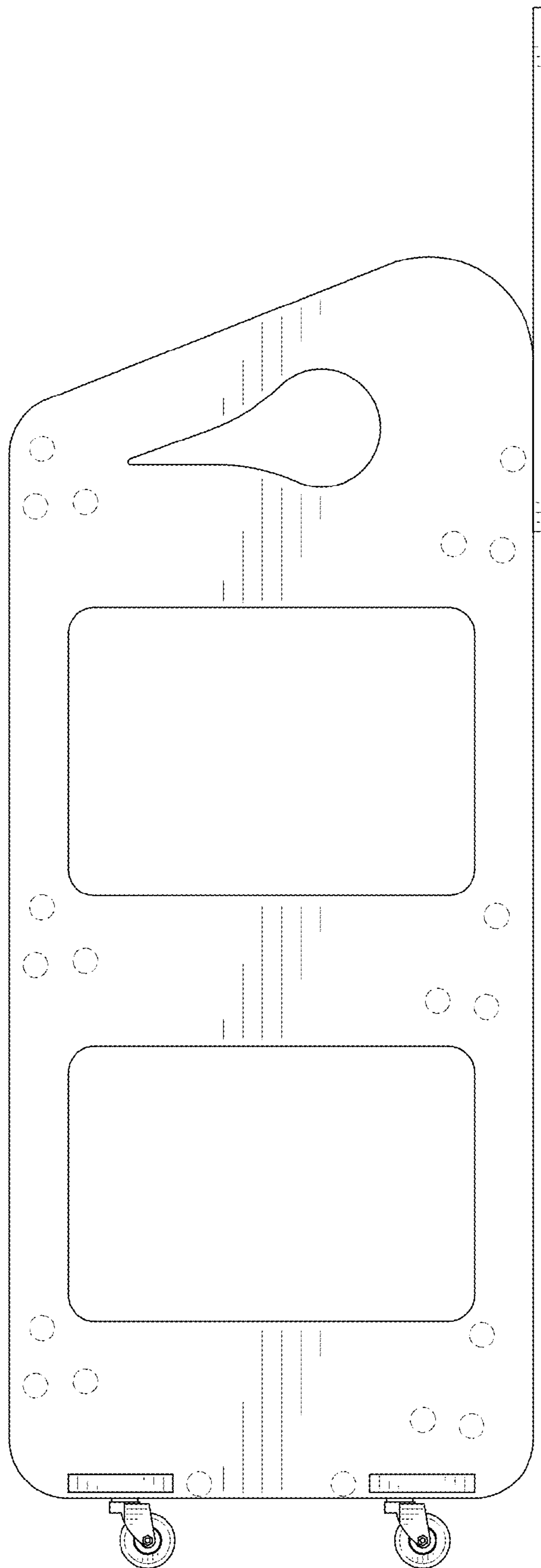


FIG. 6

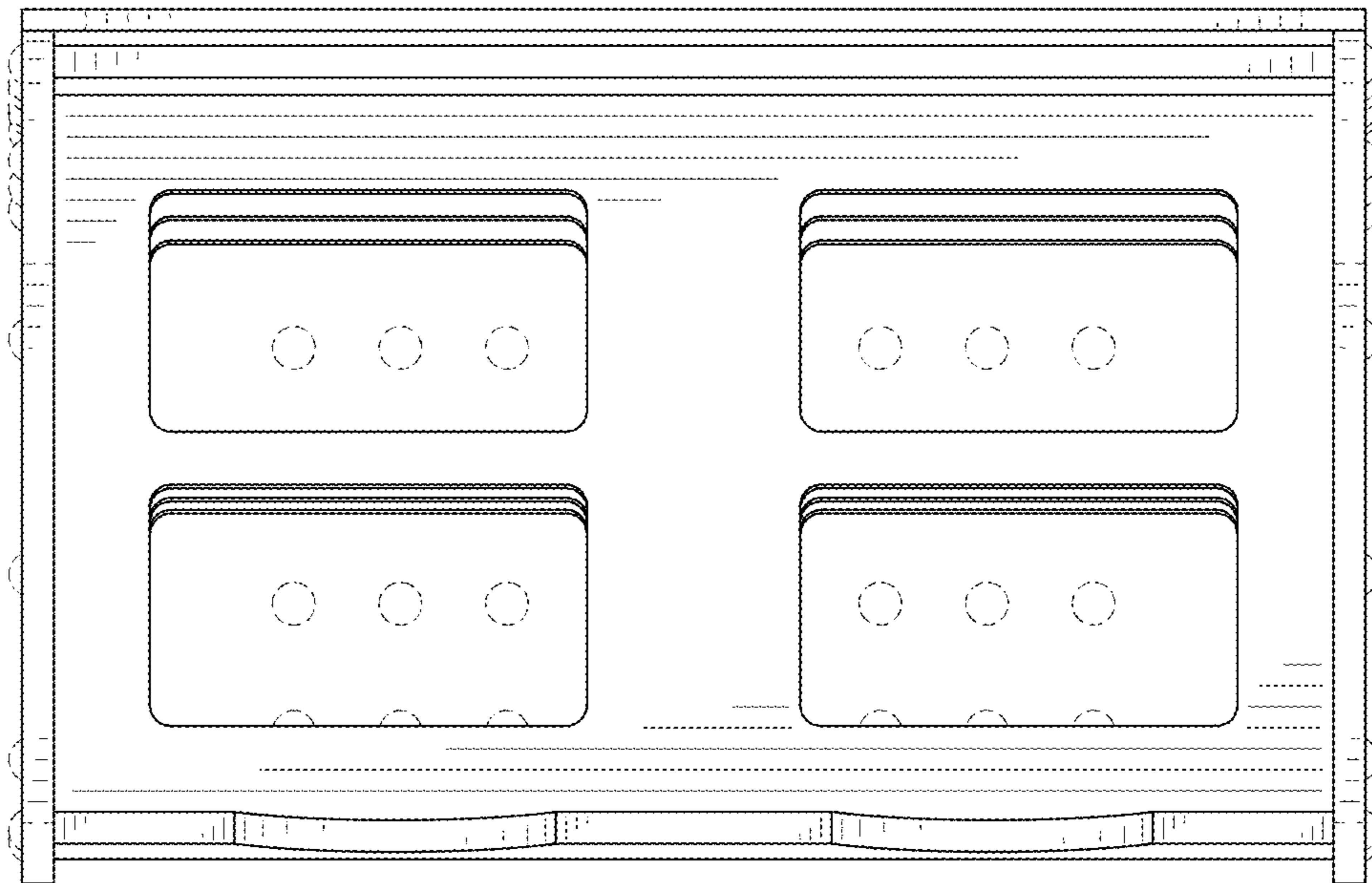


FIG. 7

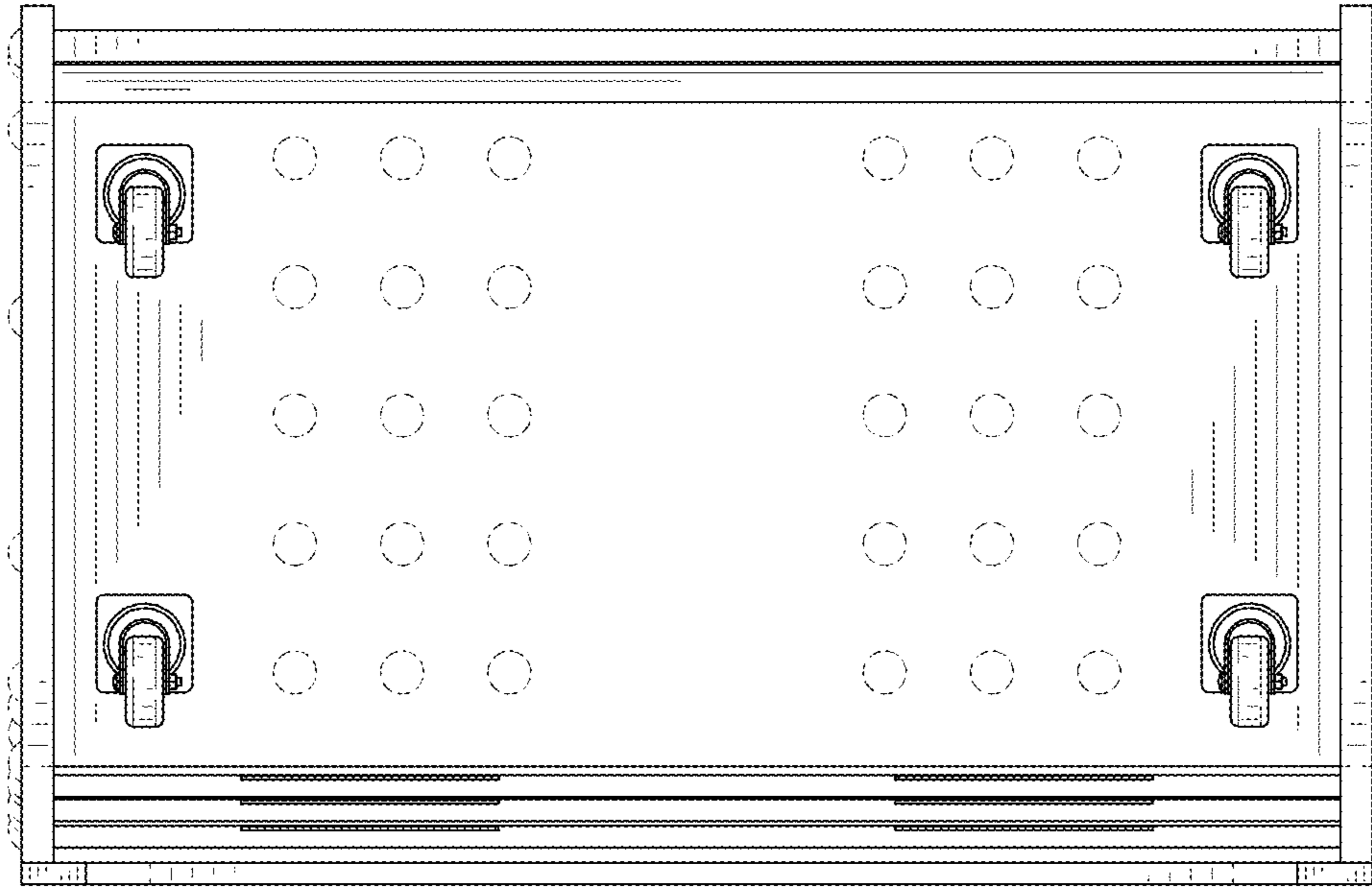


FIG. 8

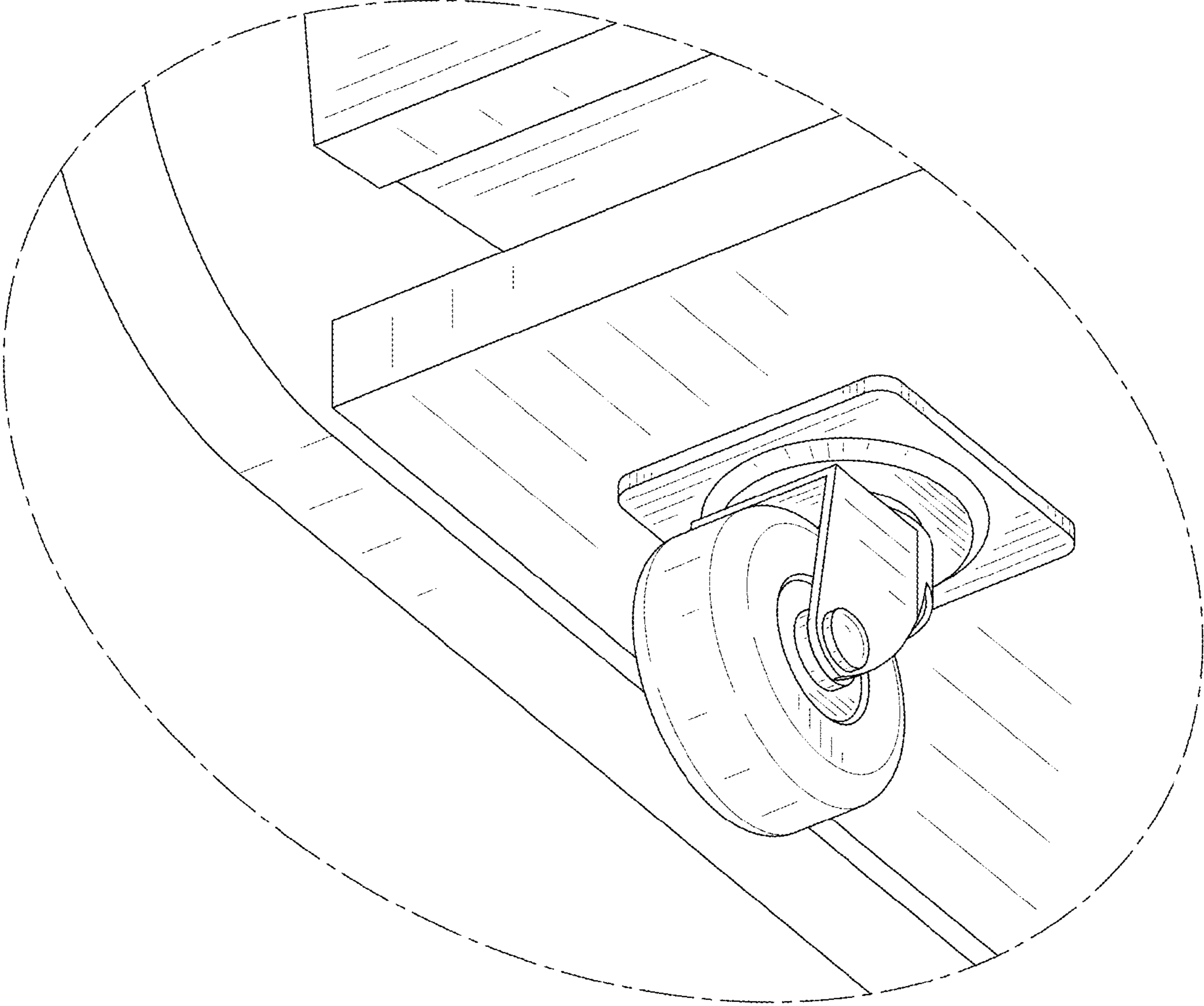


FIG. 9

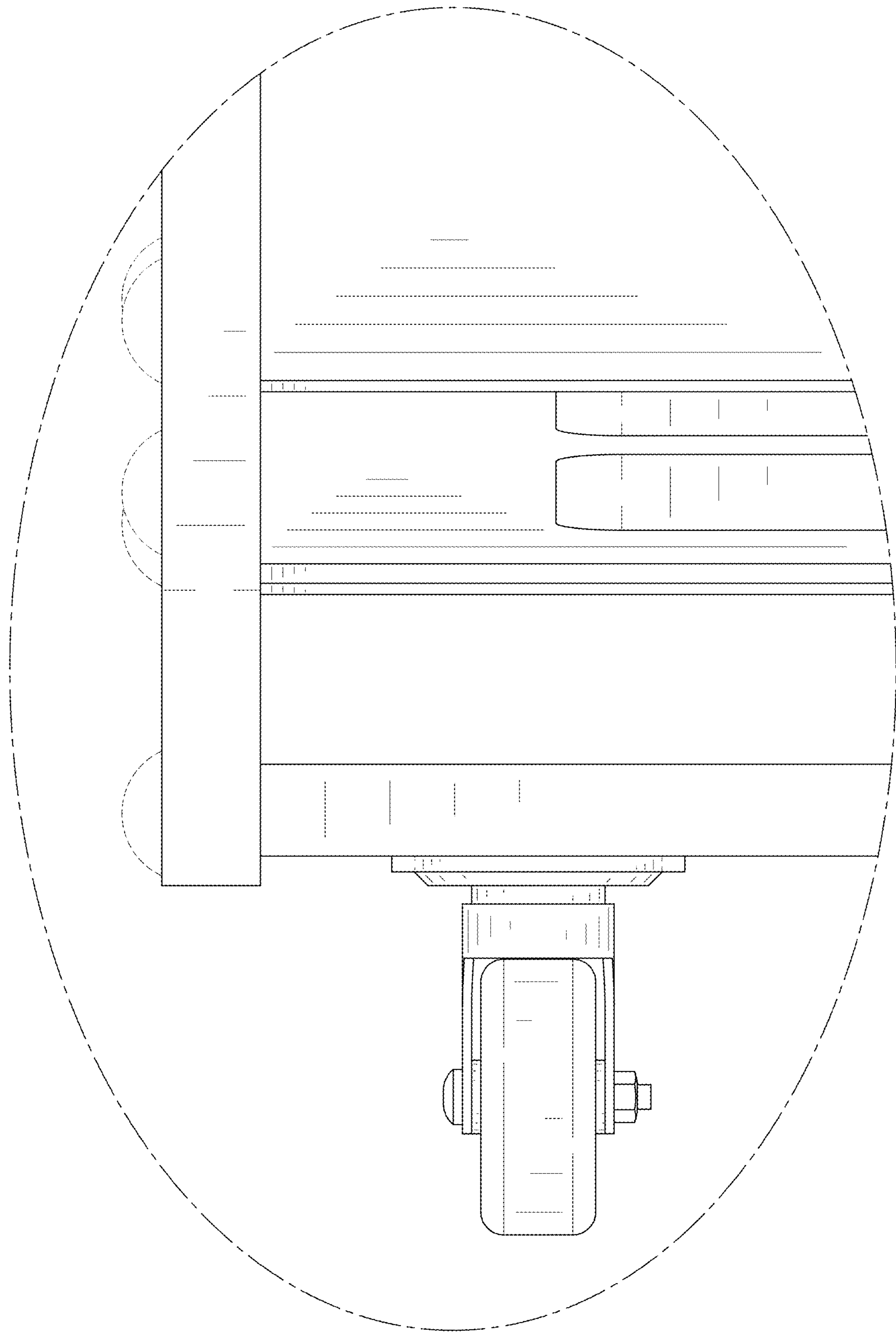


FIG. 10

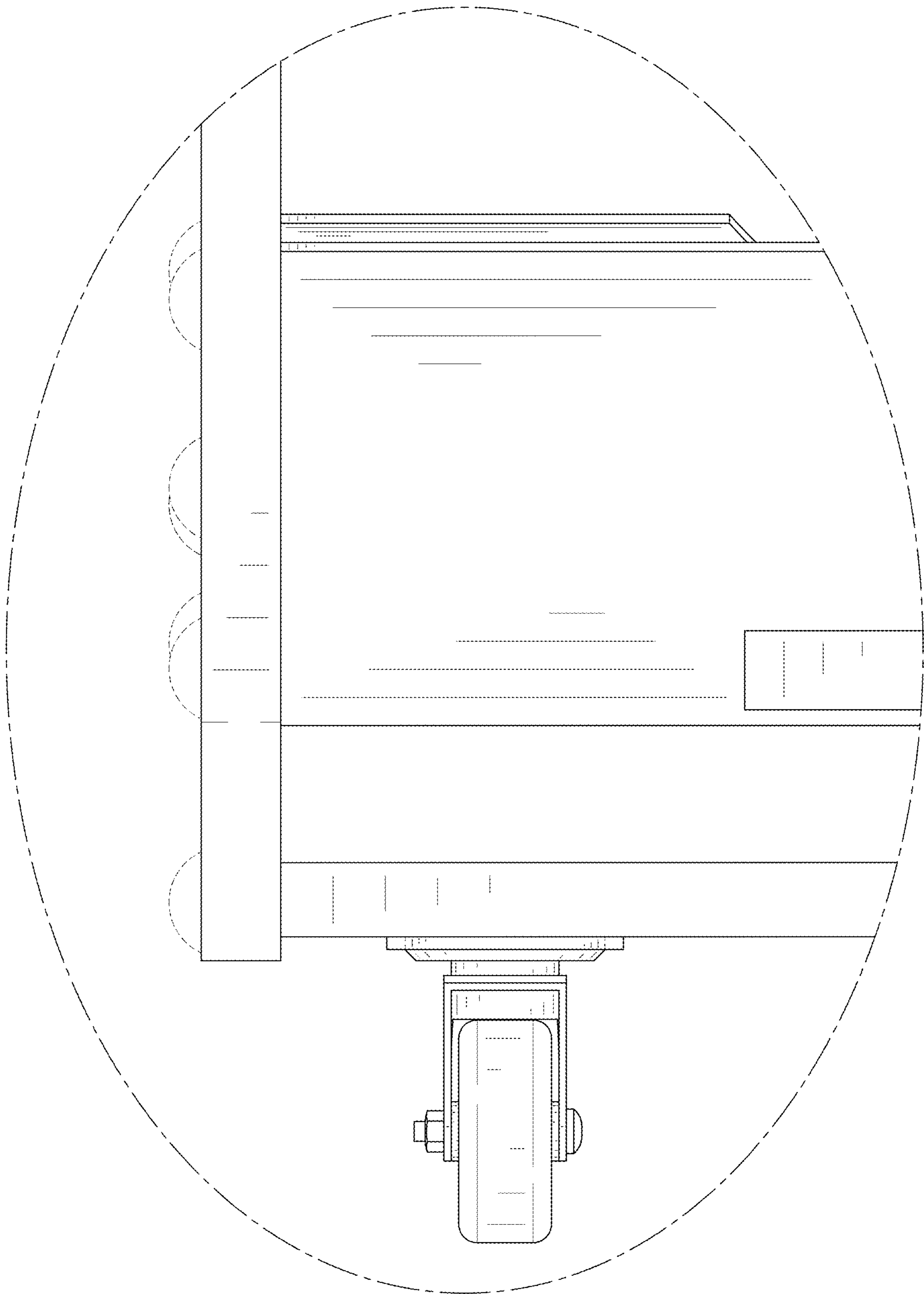


FIG. 11