



US00D972866S

(12) **United States Design Patent**
Cao et al.

(10) **Patent No.:** **US D972,866 S**

(45) **Date of Patent:** **** Dec. 20, 2022**

(54) **DESK**

(71) Applicant: **Jiangsu Zhipai Furniture Manufacturing Co., Ltd.**, Jiangsu (CN)

(72) Inventors: **Yanheng Cao**, Jiangsu (CN); **Haoren Bao**, Jiangsu (CN)

(73) Assignee: **Jiangsu Zhipai Furniture Manufacturing Co., Ltd.**, Changzhou (CN)

(**) Term: **15 Years**

(21) Appl. No.: **29/753,152**

(22) Filed: **Sep. 30, 2020**

(51) **LOC (13) Cl.** **06-03**

(52) **U.S. Cl.**
USPC **D6/656**

(58) **Field of Classification Search**
USPC D6/641, 642, 656, 656.1, 656.13, 656.14, D6/656.16-656.19
CPC .. A47B 7/00; A47B 9/00; A47B 13/00; A47B 13/02; A47B 13/04; A47B 13/06; A47B 13/08; A47B 13/10; A47B 13/12; A47B 13/16; A47B 17/00; A47B 21/00; A47B 2200/0001; A47B 2200/011; A47B 2200/002

See application file for complete search history.

(56) **References Cited**

U.S. PATENT DOCUMENTS

D336,394 S *	6/1993	Ball	D6/656.13
D861,383 S *	10/2019	Hu	D6/656.17
D878,814 S *	3/2020	Peng	D6/656
D882,988 S *	5/2020	Hu	D6/656.17
D889,169 S *	7/2020	Hu	D6/656.11

* cited by examiner

Primary Examiner — Mary Ann Calabrese

(57) **CLAIM**

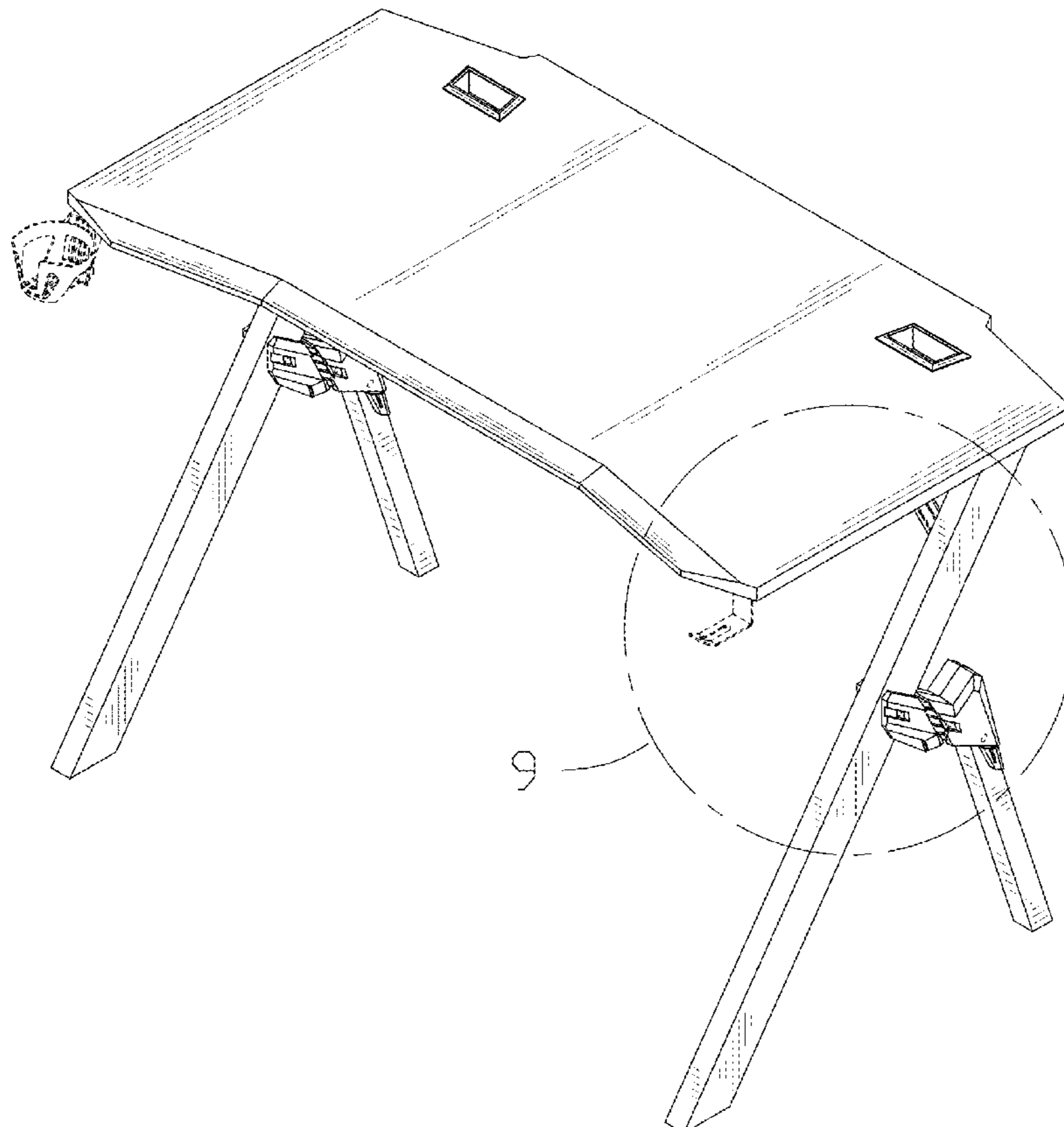
The ornamental design for a desk, as shown and described.

DESCRIPTION

FIG. 1 is a front perspective view of a desk showing our new design;
FIG. 2 is a rear perspective view thereof;
FIG. 3 is a front elevational view thereof;
FIG. 4 is a rear elevational view thereof;
FIG. 5 is a left elevational view thereof;
FIG. 6 is a right elevational view thereof;
FIG. 7 is a top plan view thereof;
FIG. 8 is a bottom plan view thereof; and,
FIG. 9 is an enlarged detailed view of the encircled area labeled 9 in FIG. 1.

The broken lines in the drawings illustrate portions of the desk which form no part of the claimed design.

1 Claim, 9 Drawing Sheets



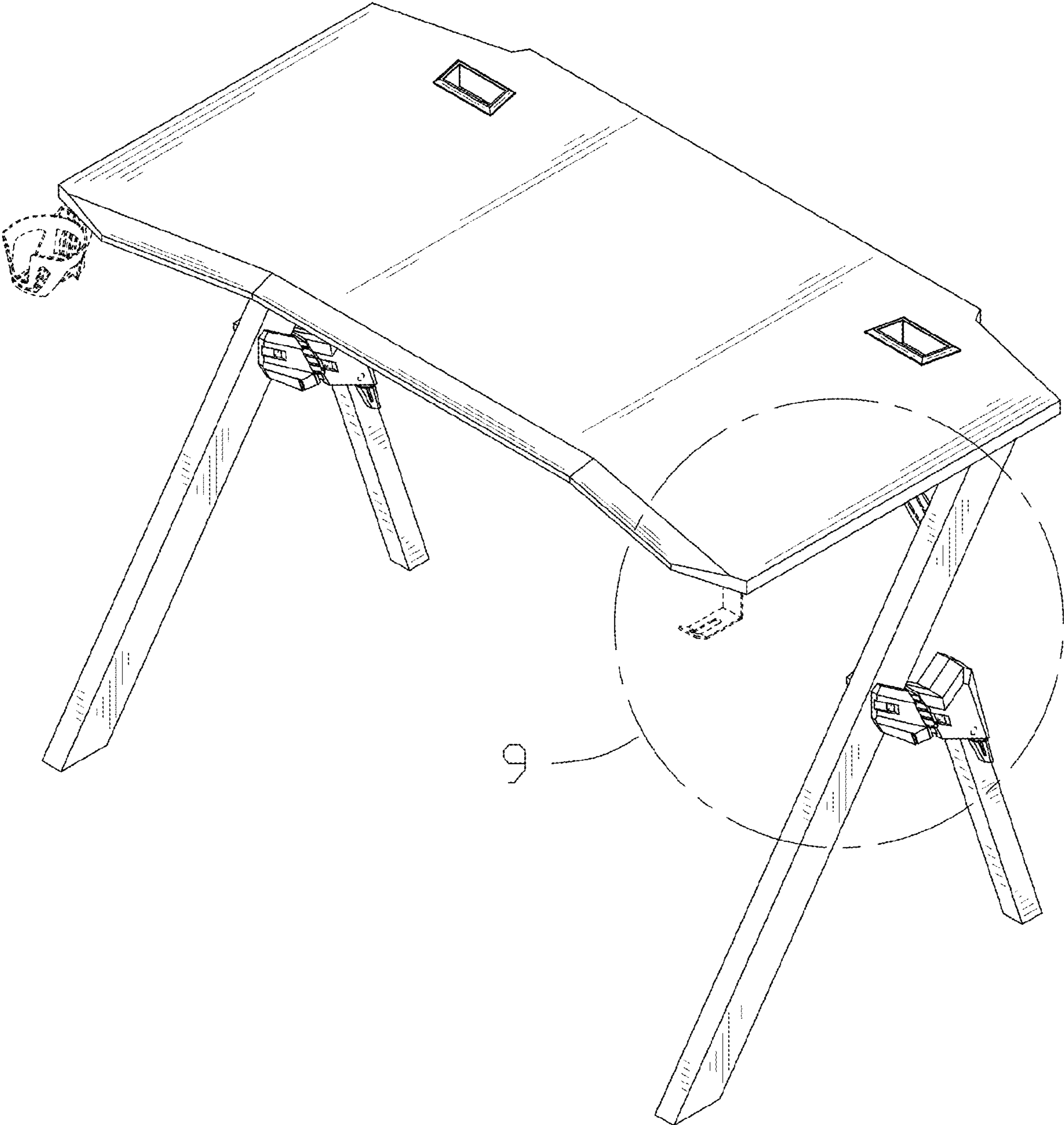


FIG. 1

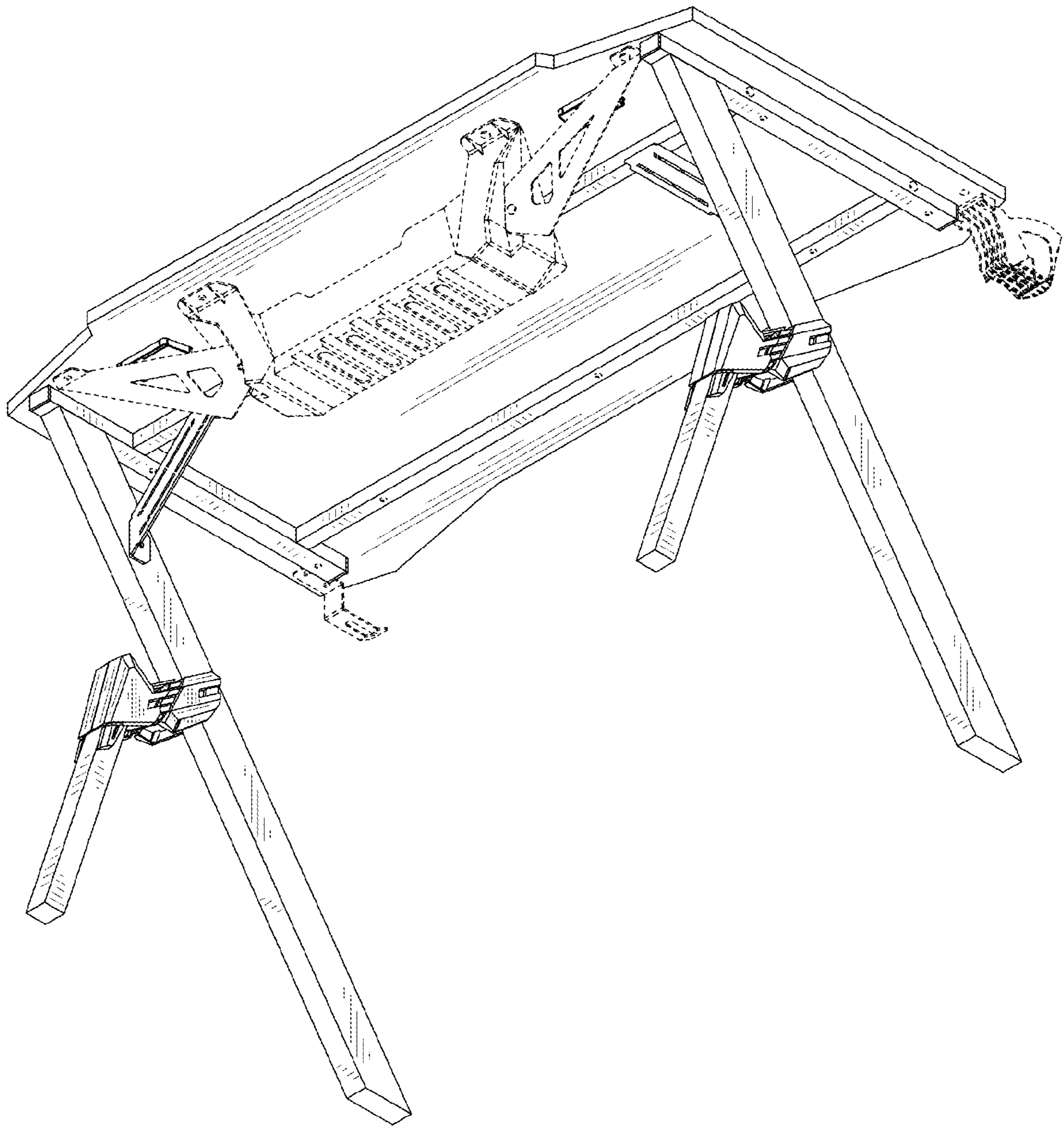


FIG. 2

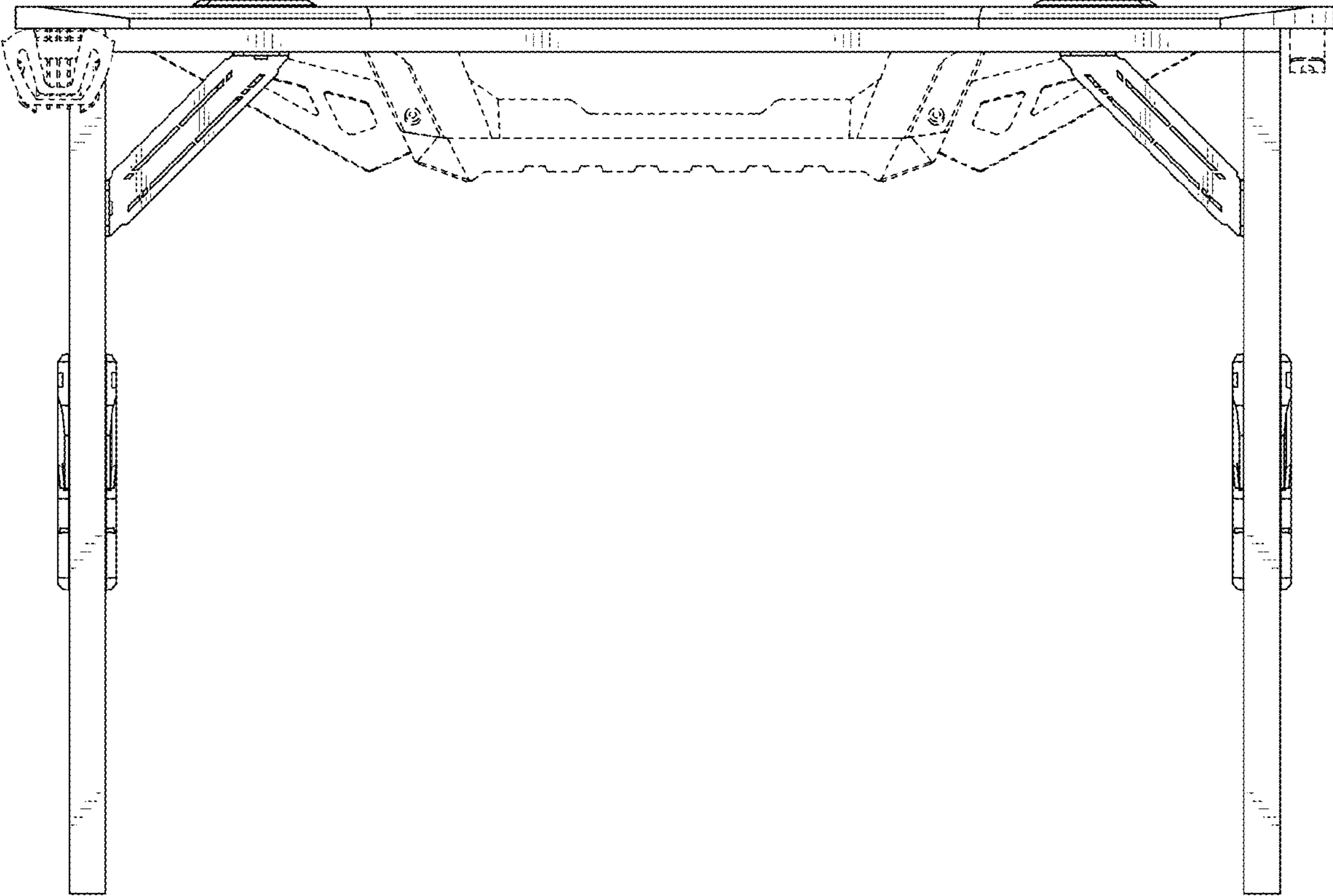


FIG. 3

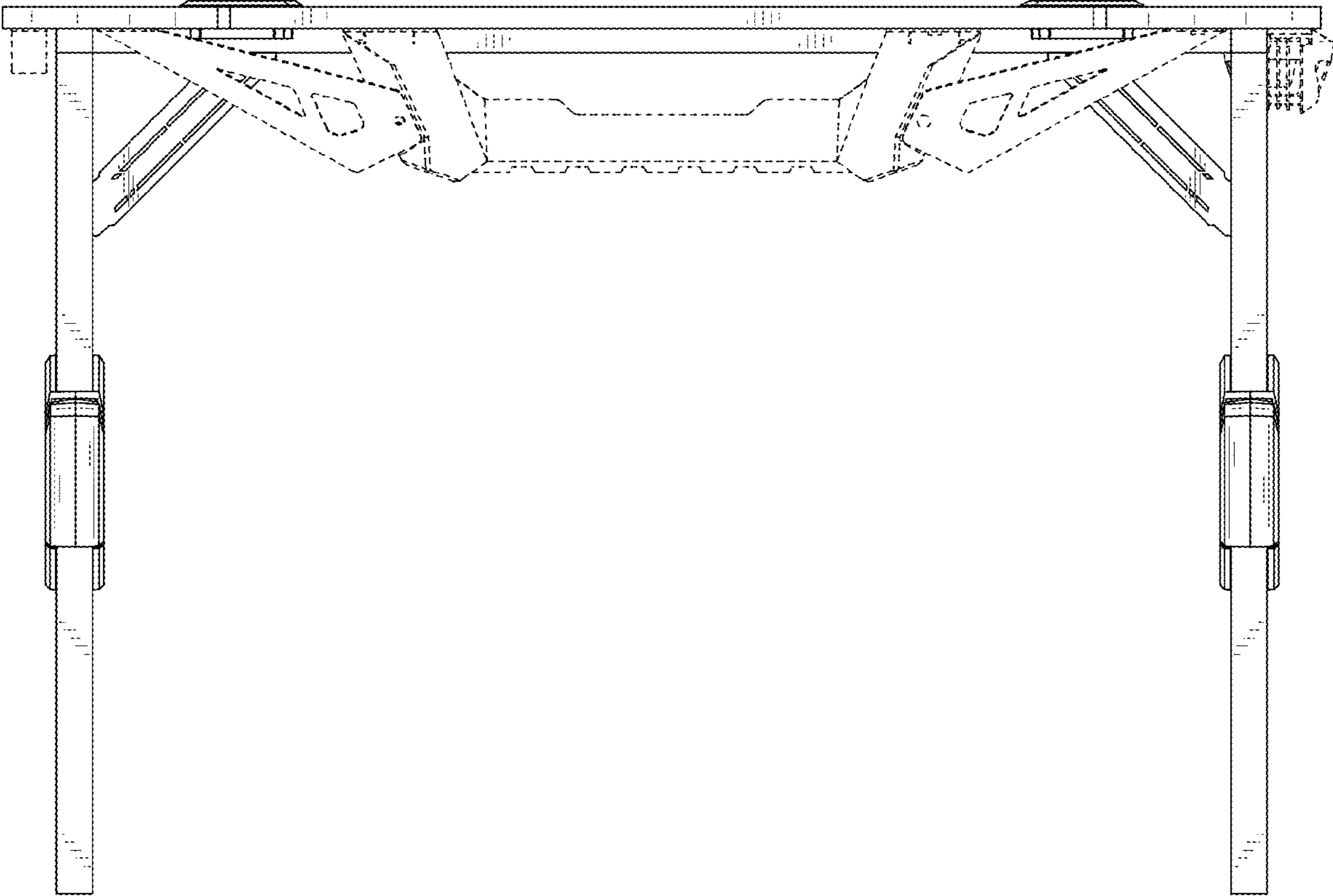


FIG. 4

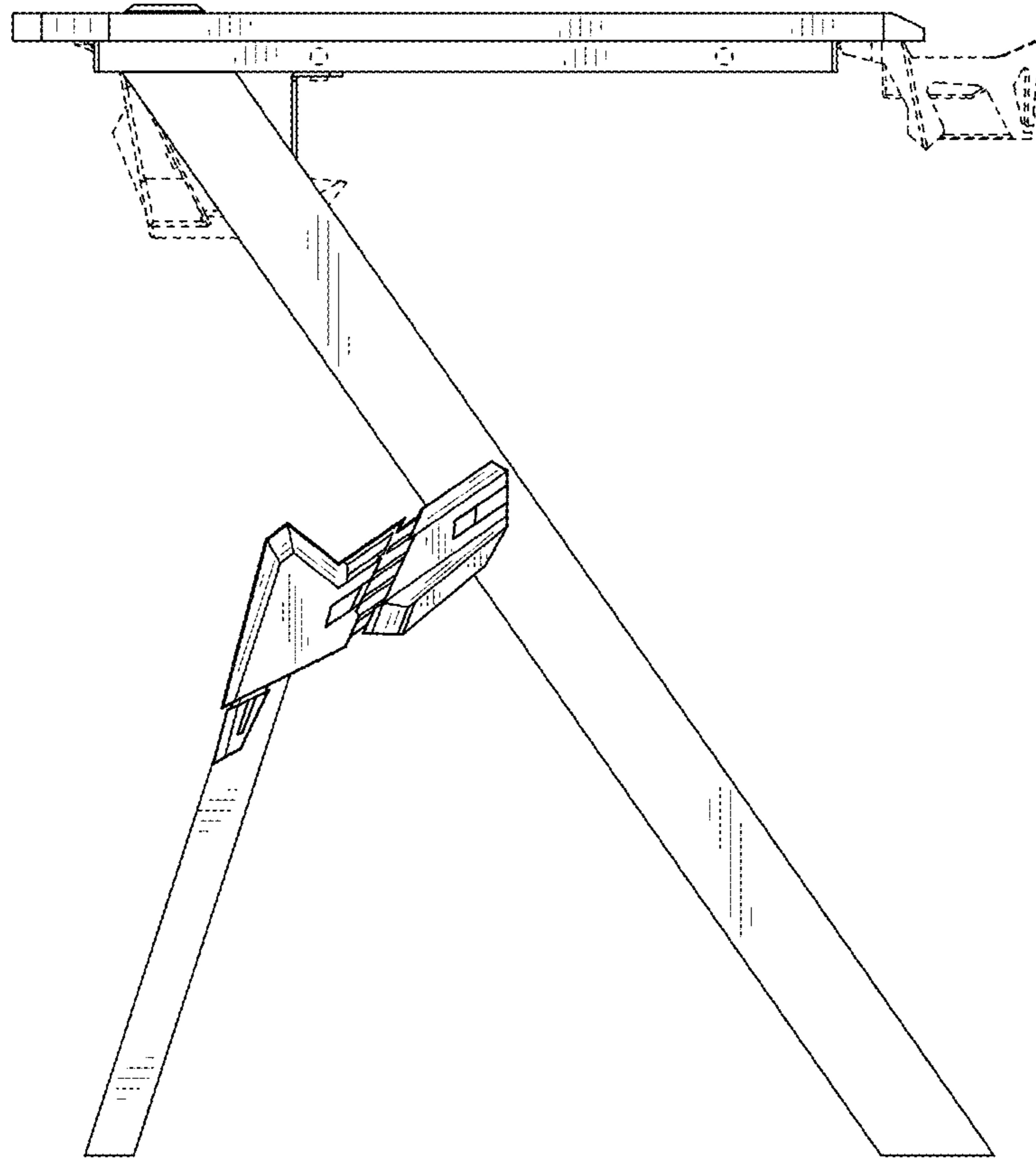


FIG. 5

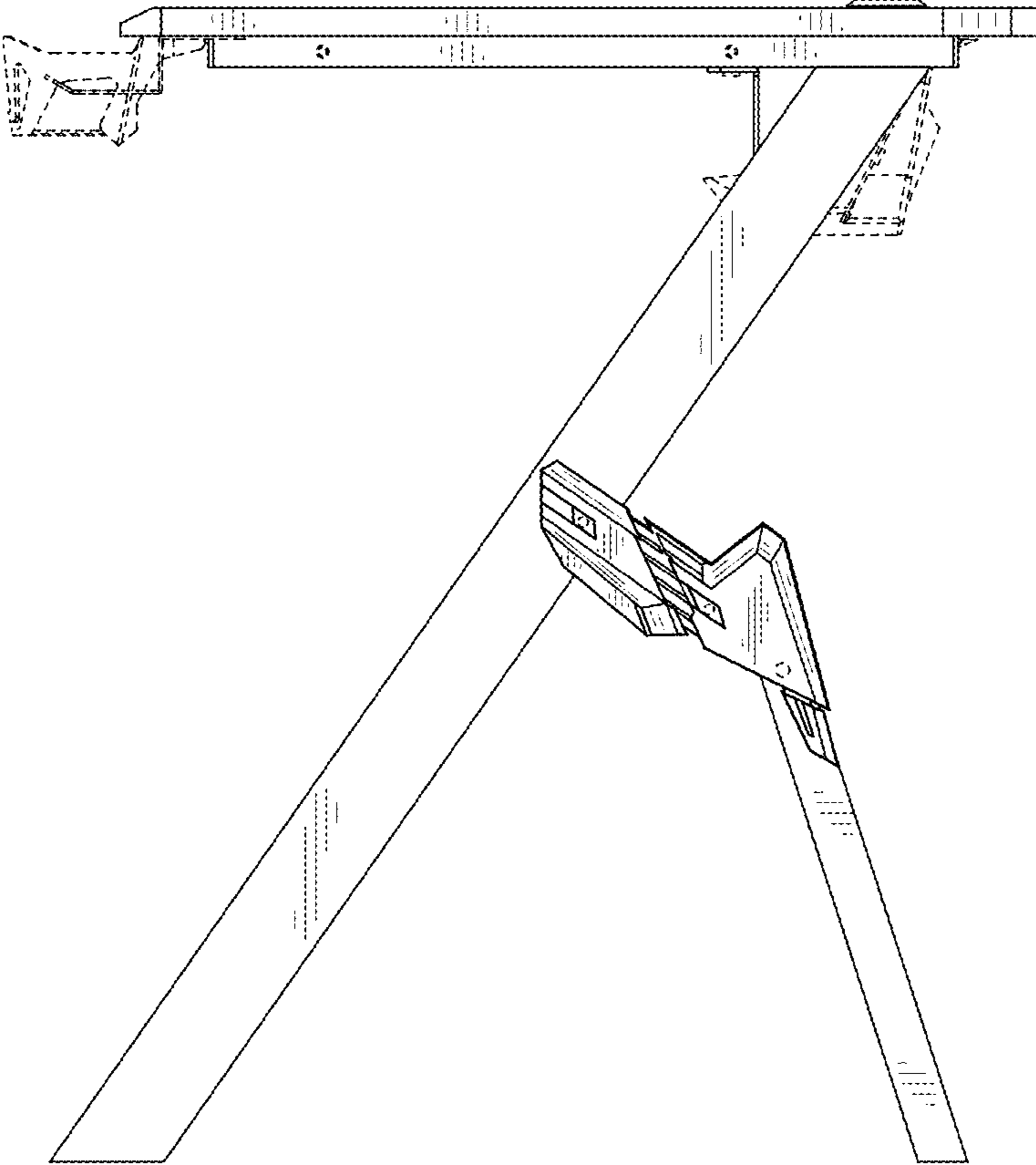


FIG. 6

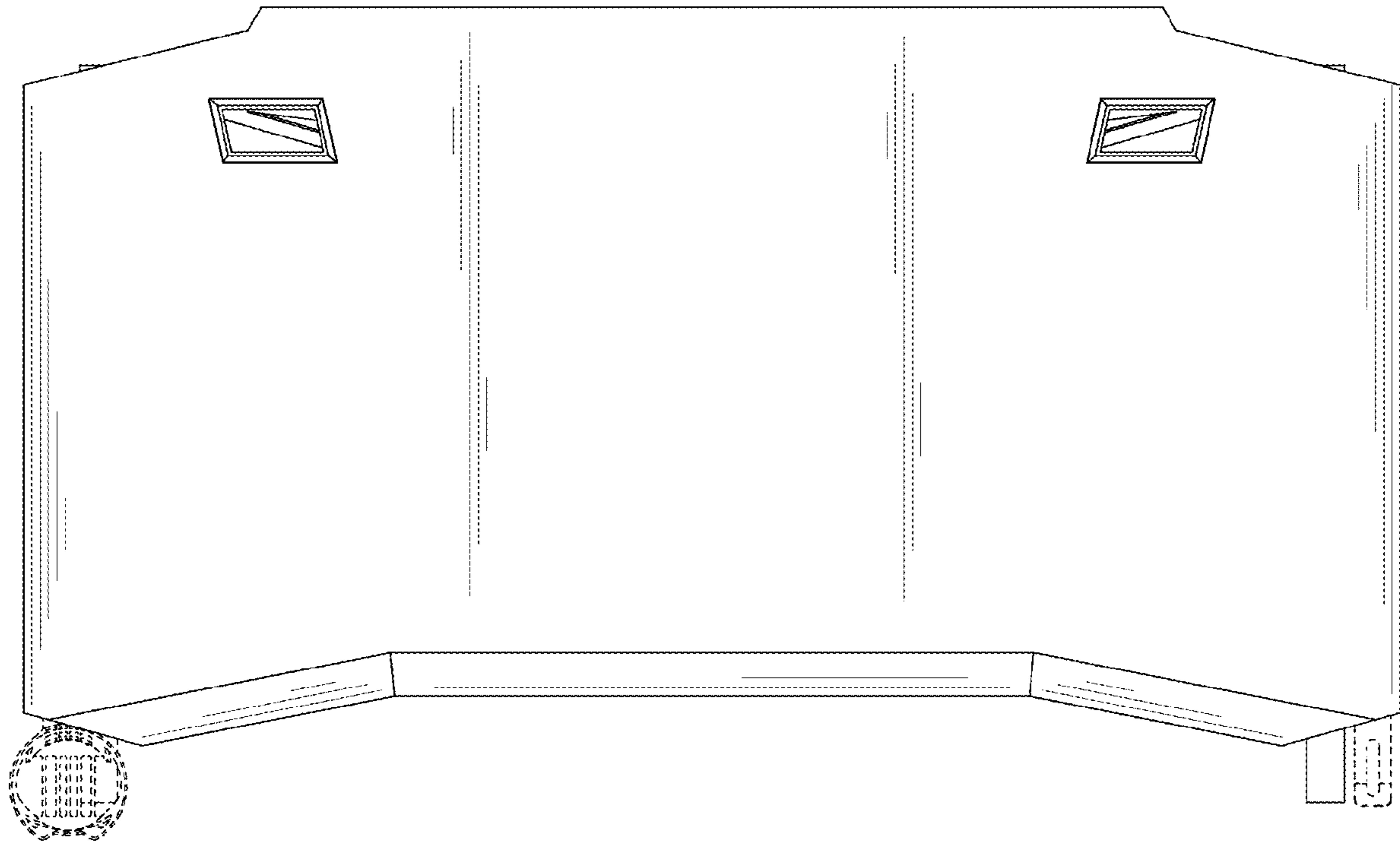


FIG. 7

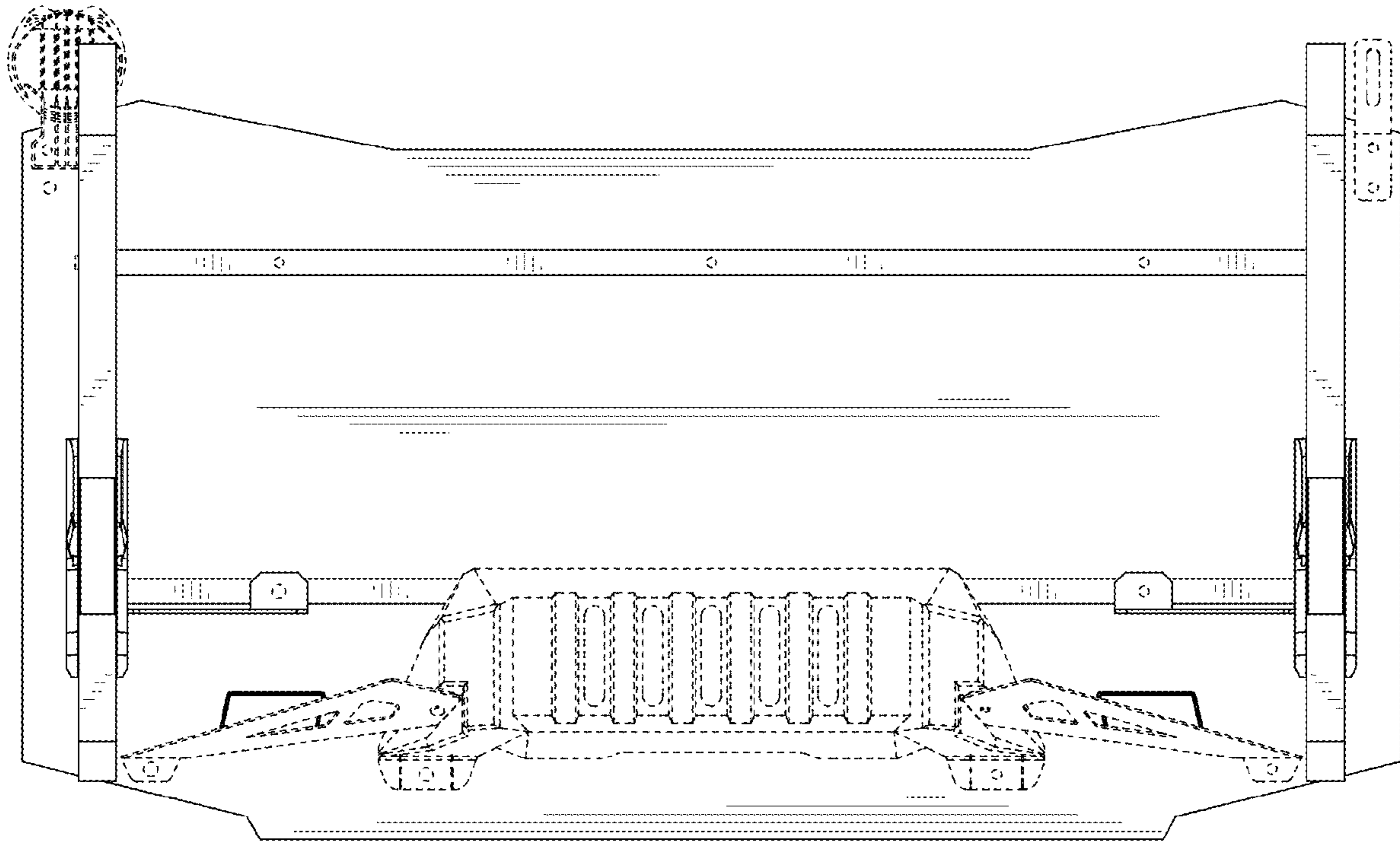


FIG. 8

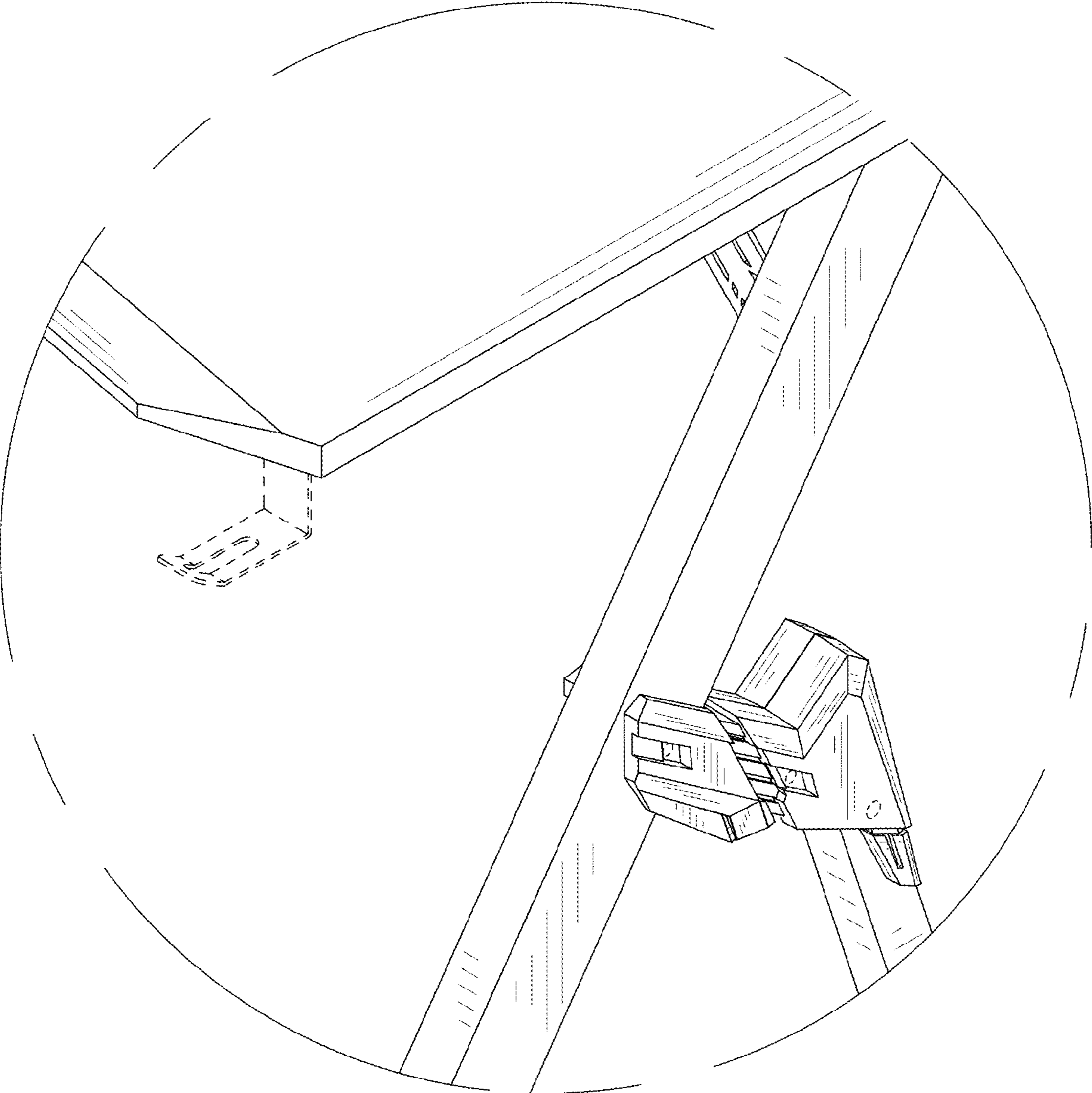


FIG. 9