



US00D972865S

(12) **United States Design Patent** (10) **Patent No.:** **US D972,865 S**
Levin et al. (45) **Date of Patent:** **** Dec. 20, 2022**

(54) **TABLE WITH A DETACHABLE TOP**

(71) Applicant: **NorvaNivel IP Pty Ltd**, Chatswood (AU)

(72) Inventors: **Avron Louis Levin**, Marrickville (AU); **Simon Turgeon**, Marrickville (AU)

(**) Term: **15 Years**

(21) Appl. No.: **29/712,734**

(22) Filed: **Nov. 11, 2019**

(30) **Foreign Application Priority Data**

May 10, 2019 (AU) 201912549

(51) **LOC (13) Cl.** **06-03**

(52) **U.S. Cl.**
USPC **D6/655.1**

(58) **Field of Classification Search**
USPC D6/641, 642, 644, 647, 655, 655.1,
D6/655.11, 655.12, 655.14,
D6/655.16–655.19; D34/12

(Continued)

(56) **References Cited**

U.S. PATENT DOCUMENTS

D103,250 S * 2/1937 Kottman et al. D6/655
D113,459 S * 2/1939 Haag A47B 17/00
D6/656.1

(Continued)

Primary Examiner — Mary Ann Calabrese

(74) *Attorney, Agent, or Firm* — Braxton Perrone, PLLC;
Bobby W. Braxton; Gregory Perrone

(57) **CLAIM**

The ornamental design for a table with a detachable top, as shown and described.

DESCRIPTION

FIG. 1 is an isometric view of a table with a detachable top in a deployed position;

FIG. 2 is an isometric view with a detachable top in a stowed position;

FIG. 3 is a rear isometric view with the detachable top in a stowed position;

FIG. 4 is a front isometric view with a detachable top in the deployed position;

FIG. 5 is a front isometric view with the detachable top in the stowed position;

FIG. 6 is a front elevation view with the detachable top in the stowed position;

FIG. 7 is a front elevation view with the detachable top in the deployed position;

FIG. 8 is a rear elevation view with the detachable top in the stowed position;

FIG. 9 is a rear elevation view with the detachable top in the deployed position;

FIG. 10 is a right side elevation view with the detachable top in the deployed position;

FIG. 11 is a left side elevation view with the detachable top in the deployed position;

FIG. 12 is a left side elevation view with the detachable top in the stowed position;

FIG. 13 is a right side elevation view with the detachable top in the stowed position;

FIG. 14 is a top plan view with the detachable top in the deployed position;

FIG. 15 is a top plan view with the detachable top in the stowed position;

FIG. 16 is a bottom plan view with the detachable top in the deployed position;

FIG. 17 is a bottom plan view with the detachable top in the stowed position;

FIG. 18 is an isometric view from underneath with the detachable top removed;

FIG. 19 is an end elevation view of a second embodiment of a table with a storage unit;

FIG. 20 is an end elevation view from the other end;

FIG. 21 is a front elevation view;

FIG. 22 is a rear elevation view;

FIG. 23 is a top plan view;

FIG. 24 is a bottom plan view;

FIG. 25 is an isometric view from above, front and left end;

FIG. 26 is an isometric view from above, front and right end;

(Continued)

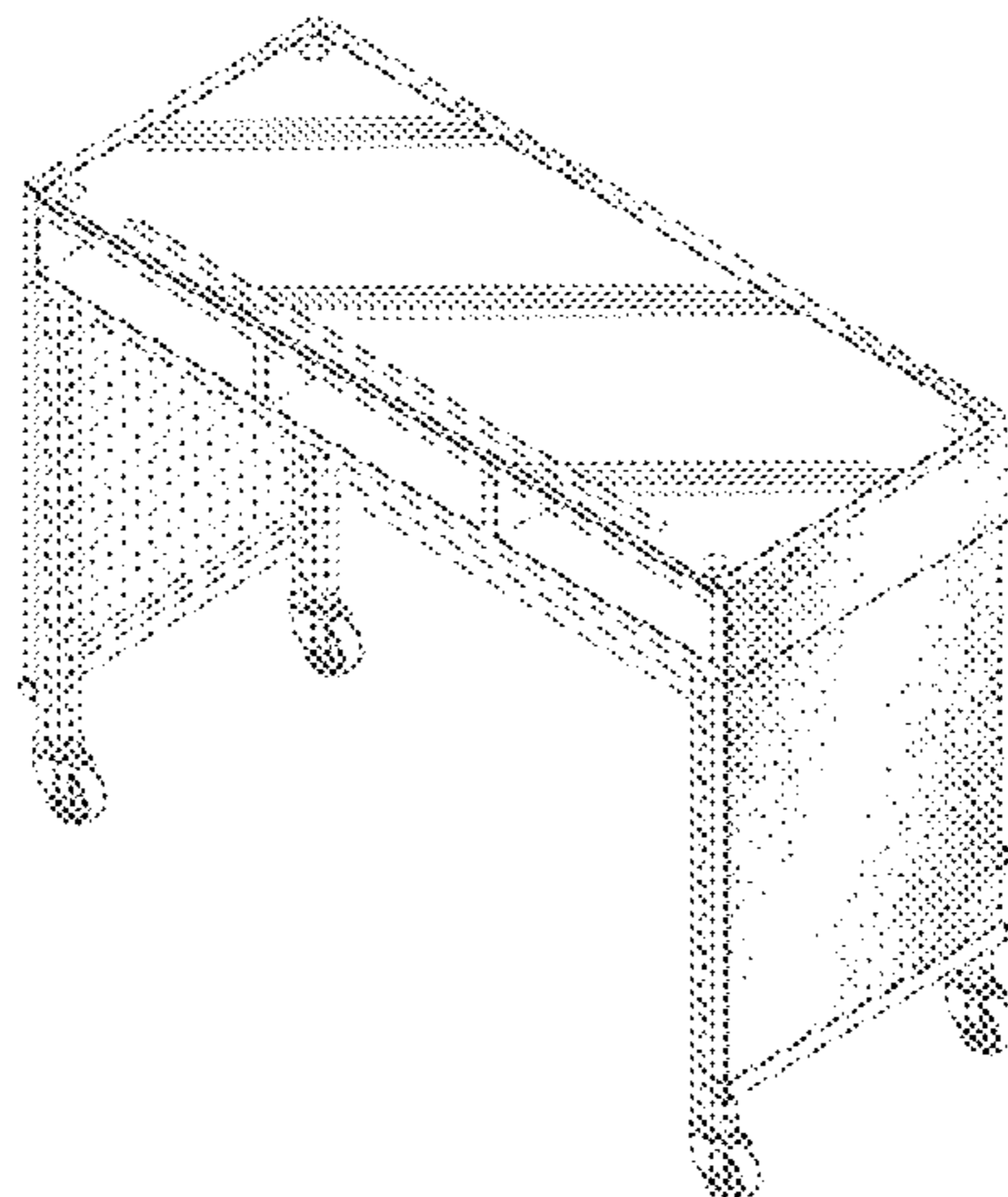


FIG. 27 is an end elevation view of a third embodiment of table with a detachable table top in a deployed position;
 FIG. 28 is an end elevation view from the other end with the tabletop in a deployed position;
 FIG. 29 is a rear elevation view with the tabletop in a stowed position;
 FIG. 30 is a front elevation view with the tabletop in a stowed position;
 FIG. 31 is a front elevation view with the tabletop in a deployed position;
 FIG. 32 is a plan view with the tabletop in a deployed position;
 FIG. 33 is a top plan view with the tabletop in the deployed position;
 FIG. 34 is an isometric view with the tabletop in a deployed position;
 FIG. 35 is another isometric view with the tabletop in a stowed position;
 FIG. 36 is an end elevation view with the tabletop in a stowed position;
 FIG. 37 is a rear elevation view with the tabletop in a stowed position;
 FIG. 38 is a bottom plan view with the tabletop in the stowed position;
 FIG. 39 is a bottom plan view with the tabletop in the deployed position;
 FIG. 40 is another isometric view with the tabletop in a deployed position; and,
 FIG. 41 is another isometric view with the tabletop in a stowed position.

The table is shown with a symbolic break in its length and width. The appearance of any portion of the article between the break lines forms no part of the claimed design. The broken lines show portions of the table that form no part of the claimed design.

1 Claim, 41 Drawing Sheets

(58) **Field of Classification Search**

CPC .. A47B 3/00; A47B 3/04; A47B 3/083; A47B 2003/0835; A47B 7/00; A47B 13/00; A47B 13/02; A47B 13/04; A47B 13/06; A47B 13/08; A47B 13/10; A47B 13/12; A47B 17/00; A47B 17/003; A47B 17/006; A47B 17/033; A47B 17/06; A47B 21/00; A47B 21/0314; A47B 2021/0307; A47B 2021/0321; A47B 2021/0335; A47B 2021/0364; A47B 2200/0001

See application file for complete search history.

(56) **References Cited**

U.S. PATENT DOCUMENTS

6,845,723	B2 *	1/2005	Kottman	A47B 3/00 108/115
D757,464	S *	5/2016	Chiang	D6/642
D845,679	S *	4/2019	Li	D6/656
D891,838	S *	8/2020	Risdall	D6/691.9
2012/0217858	A1 *	8/2012	Lai	A47B 17/00 312/334.5
2017/0143113	A1 *	5/2017	Park	A47B 13/16

* cited by examiner

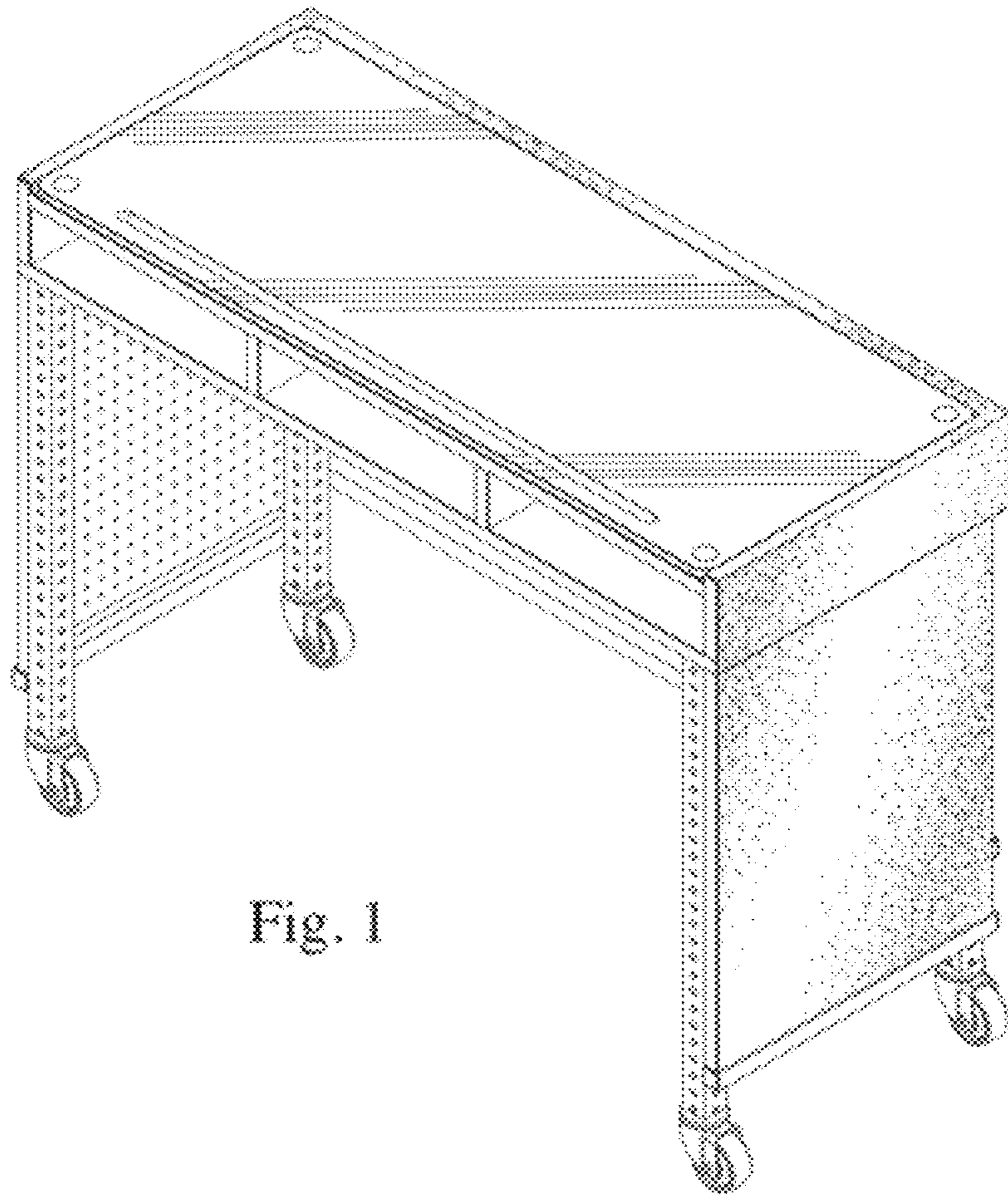


Fig. 1

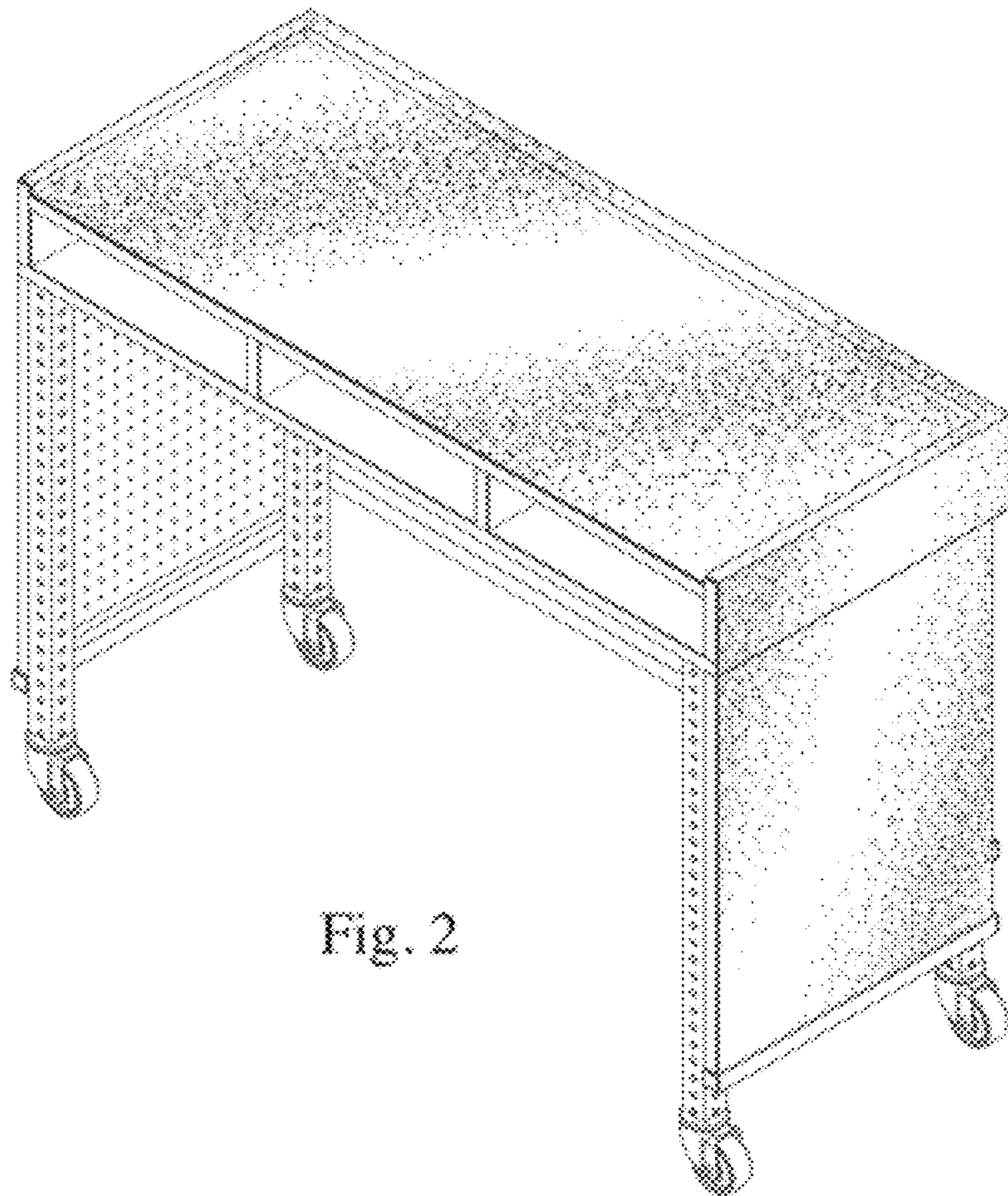


Fig. 2

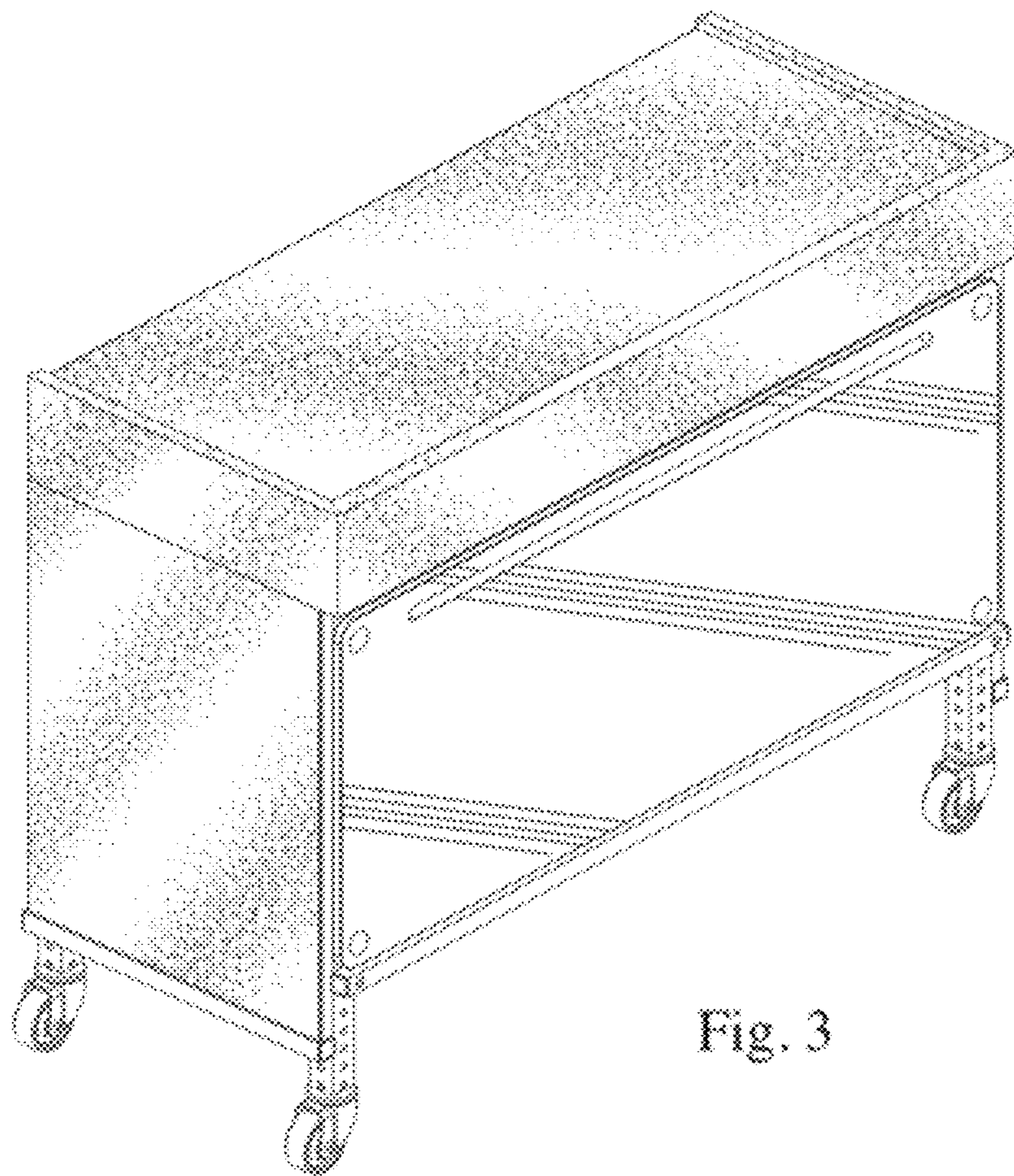


Fig. 3

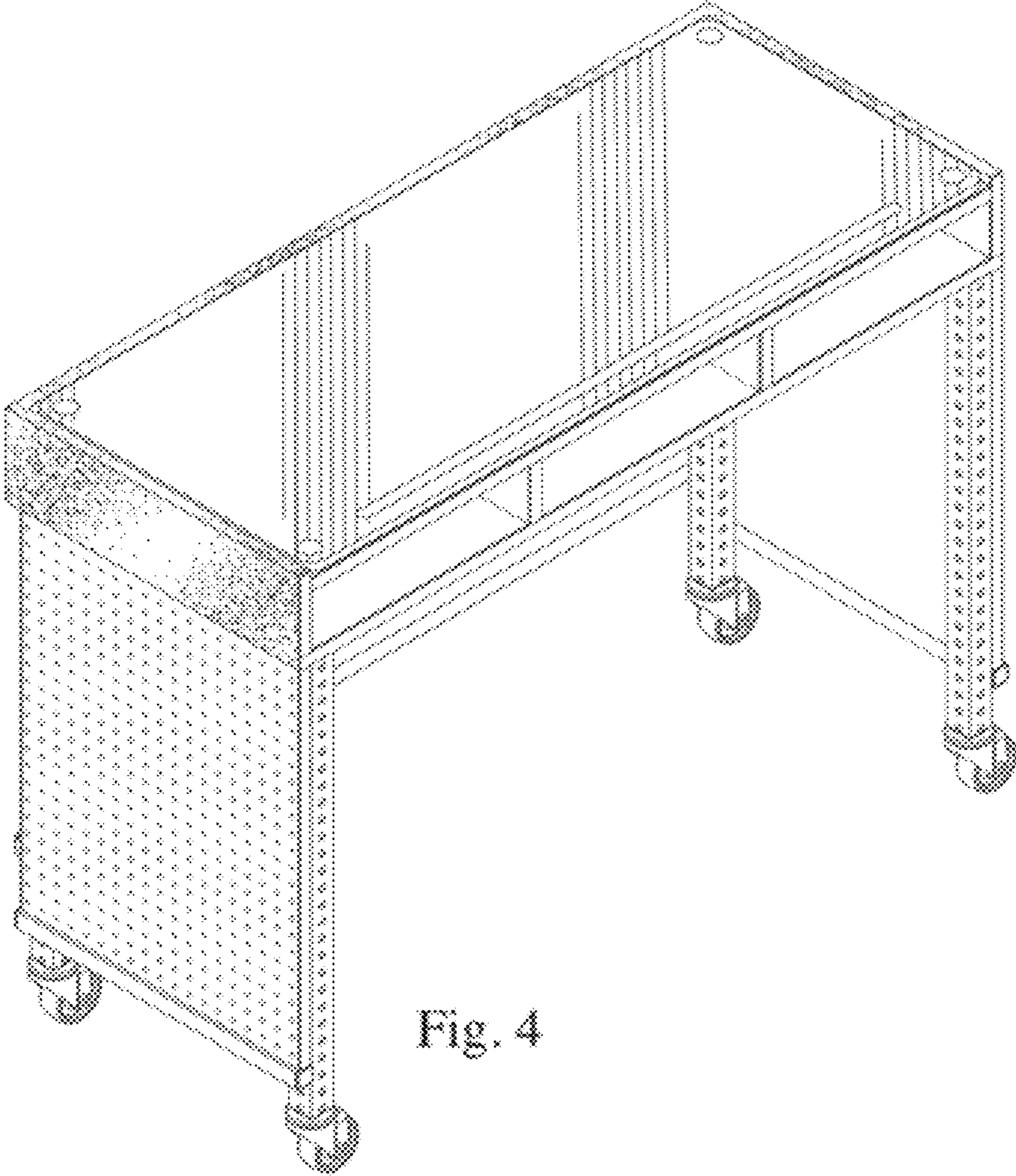


Fig. 4

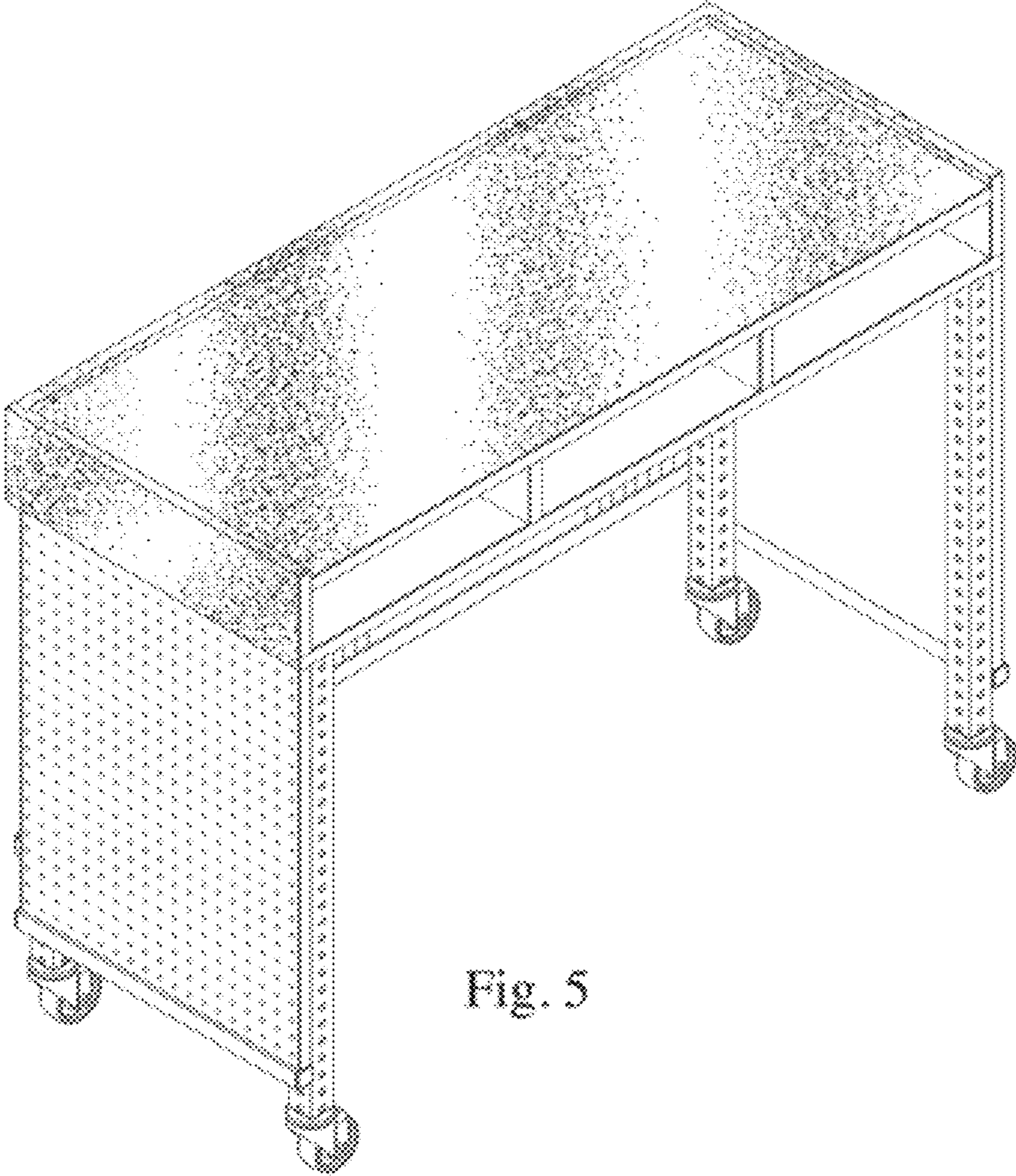


Fig. 5

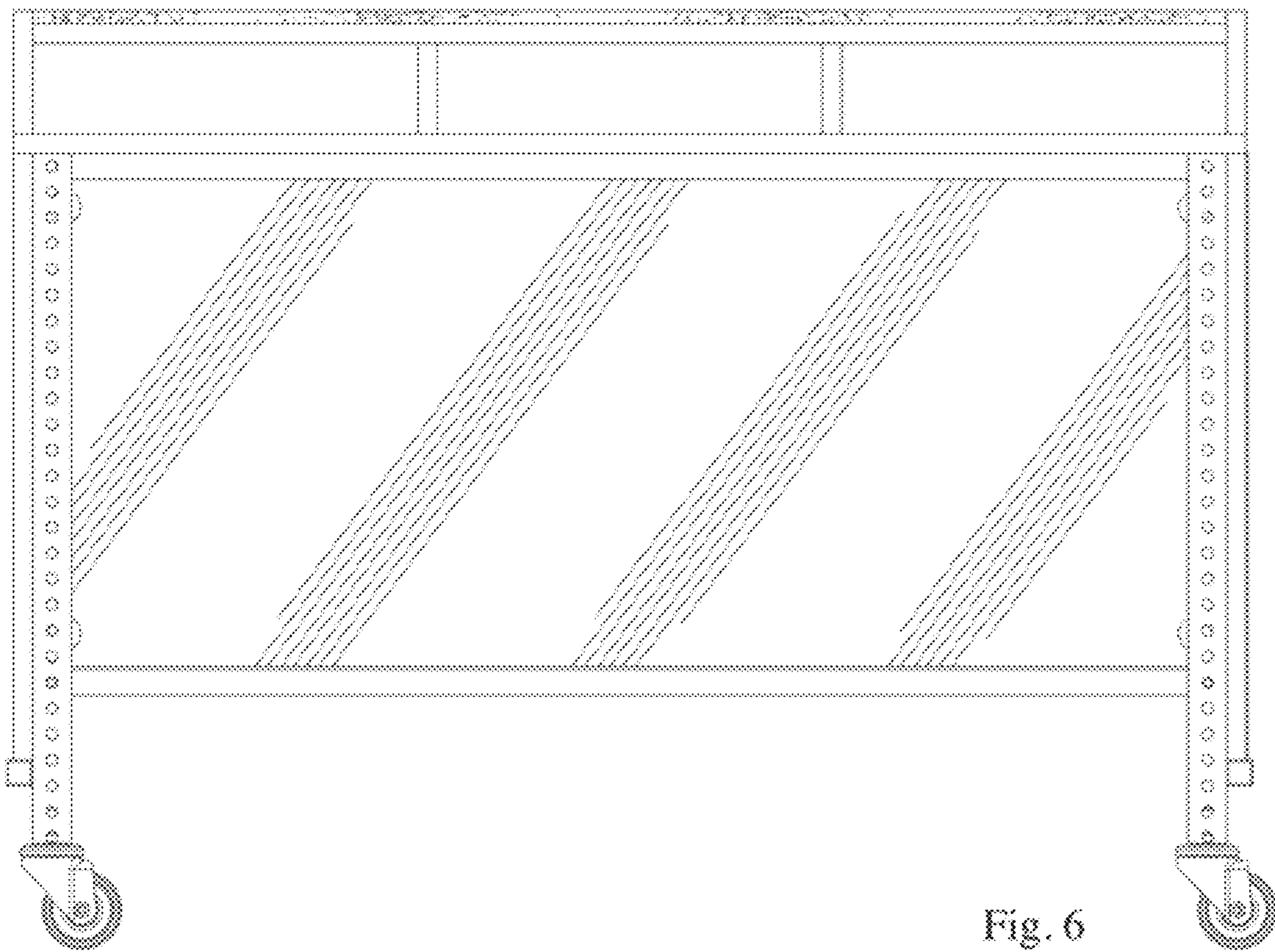


Fig. 6



Fig. 7

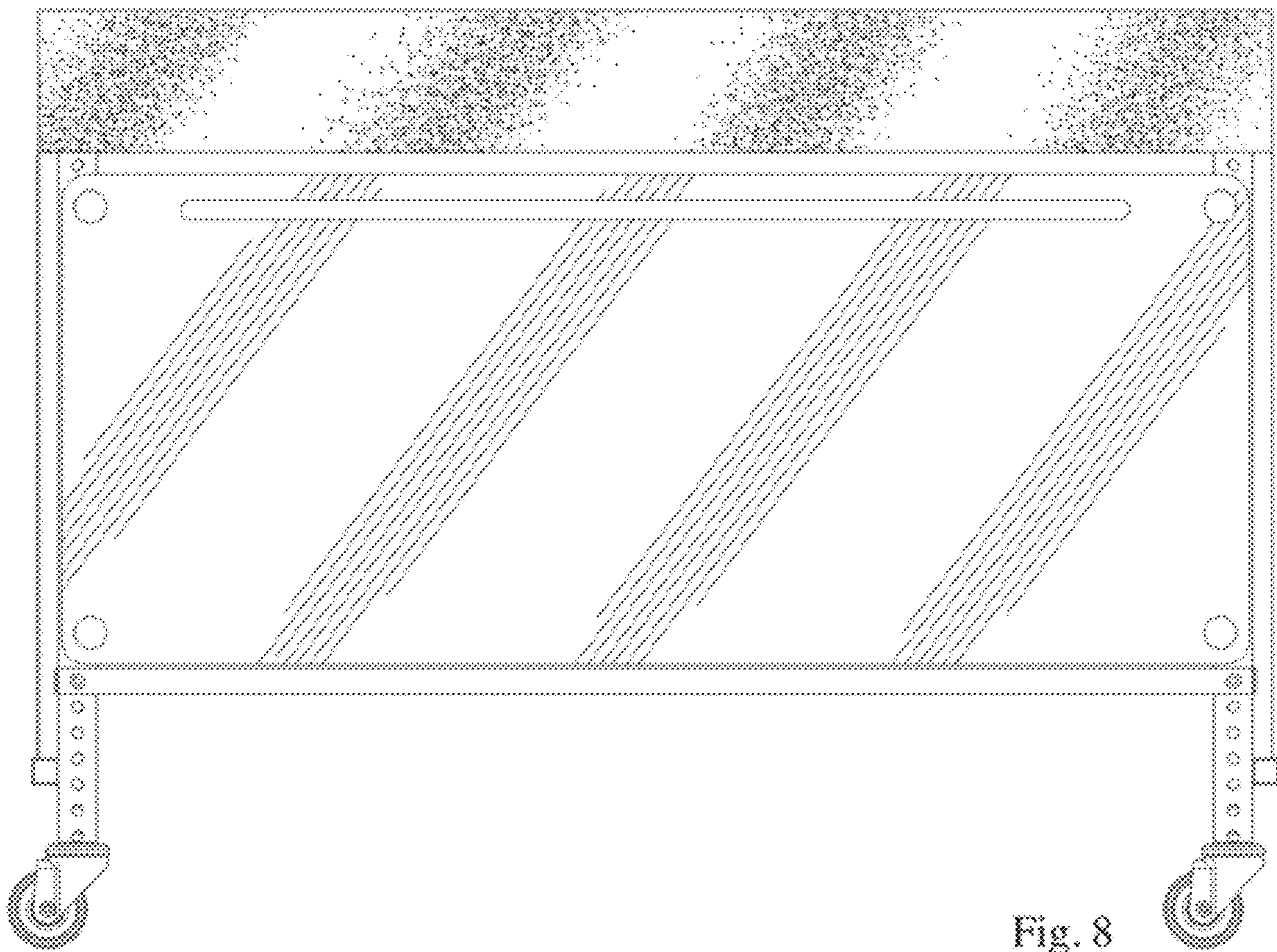


Fig. 8

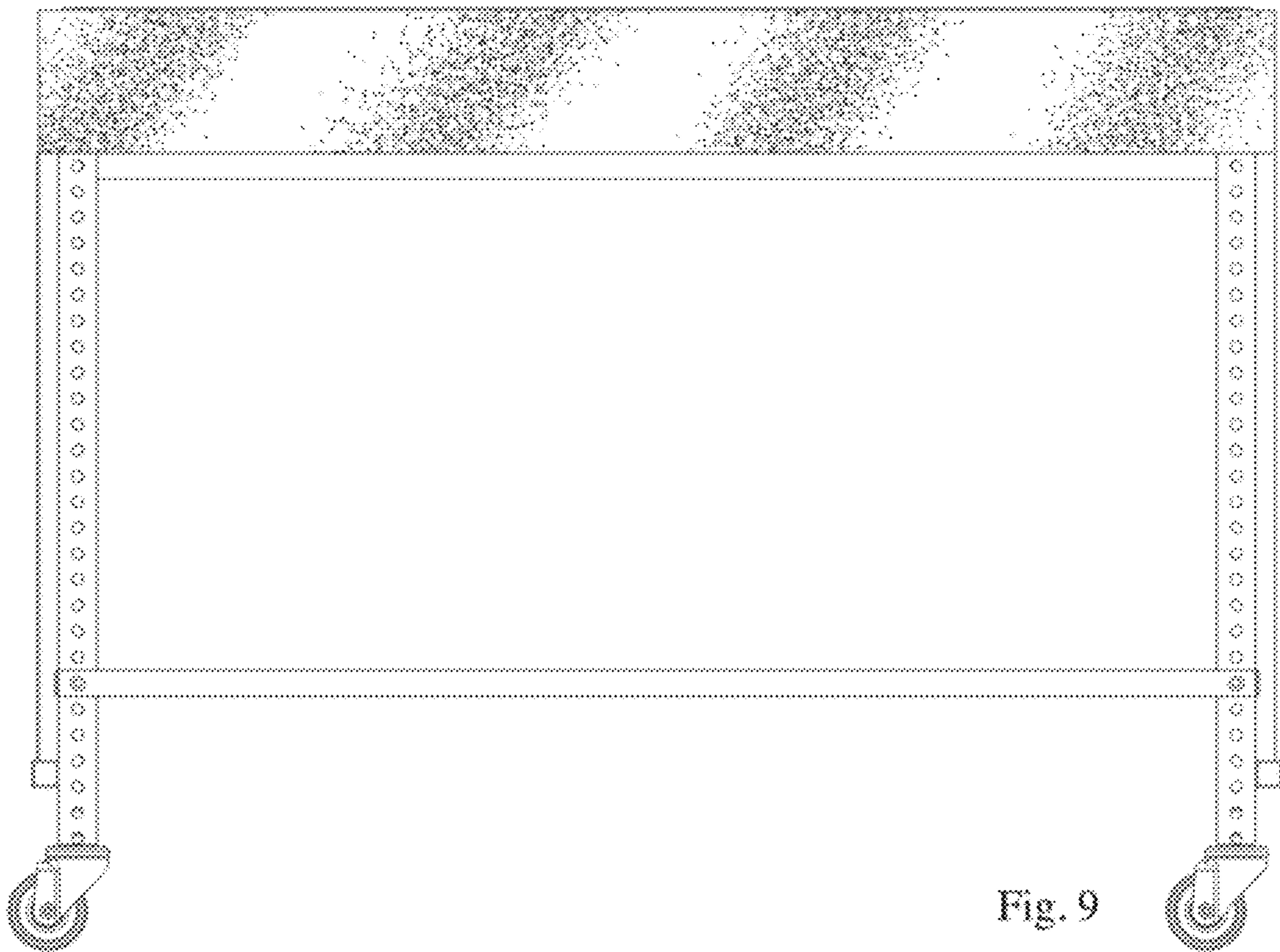


Fig. 9

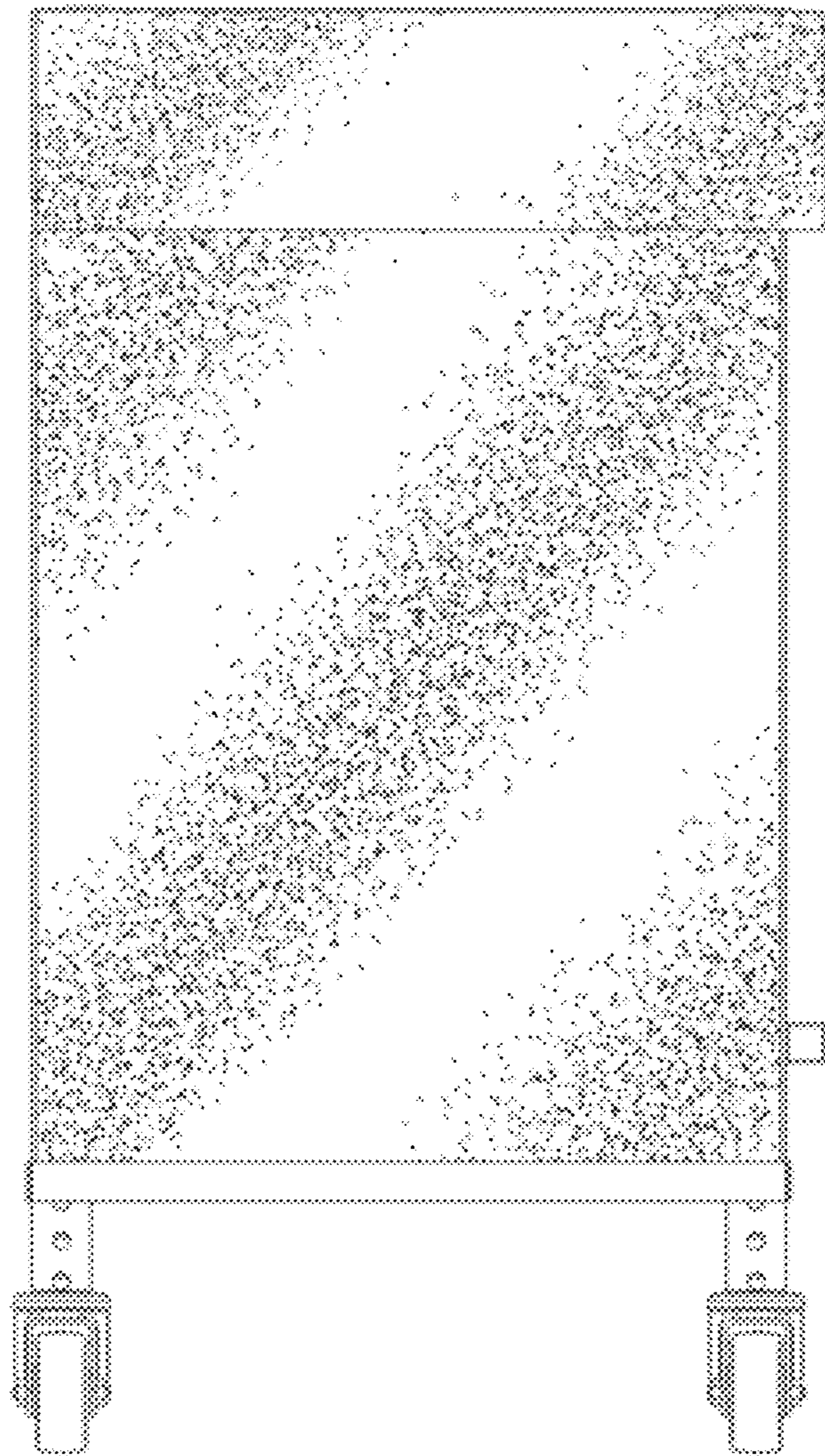


Fig. 10

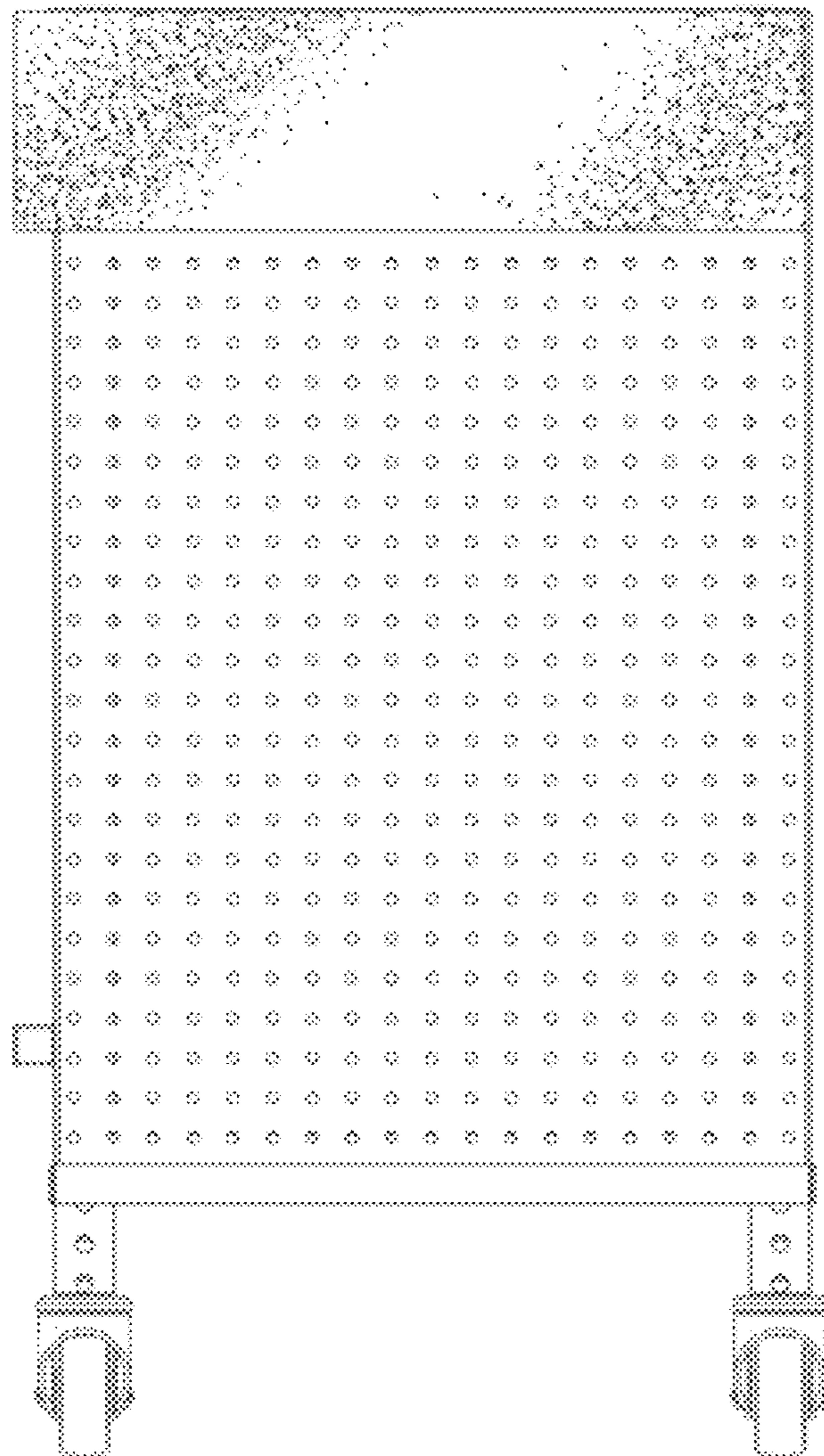


Fig. 11

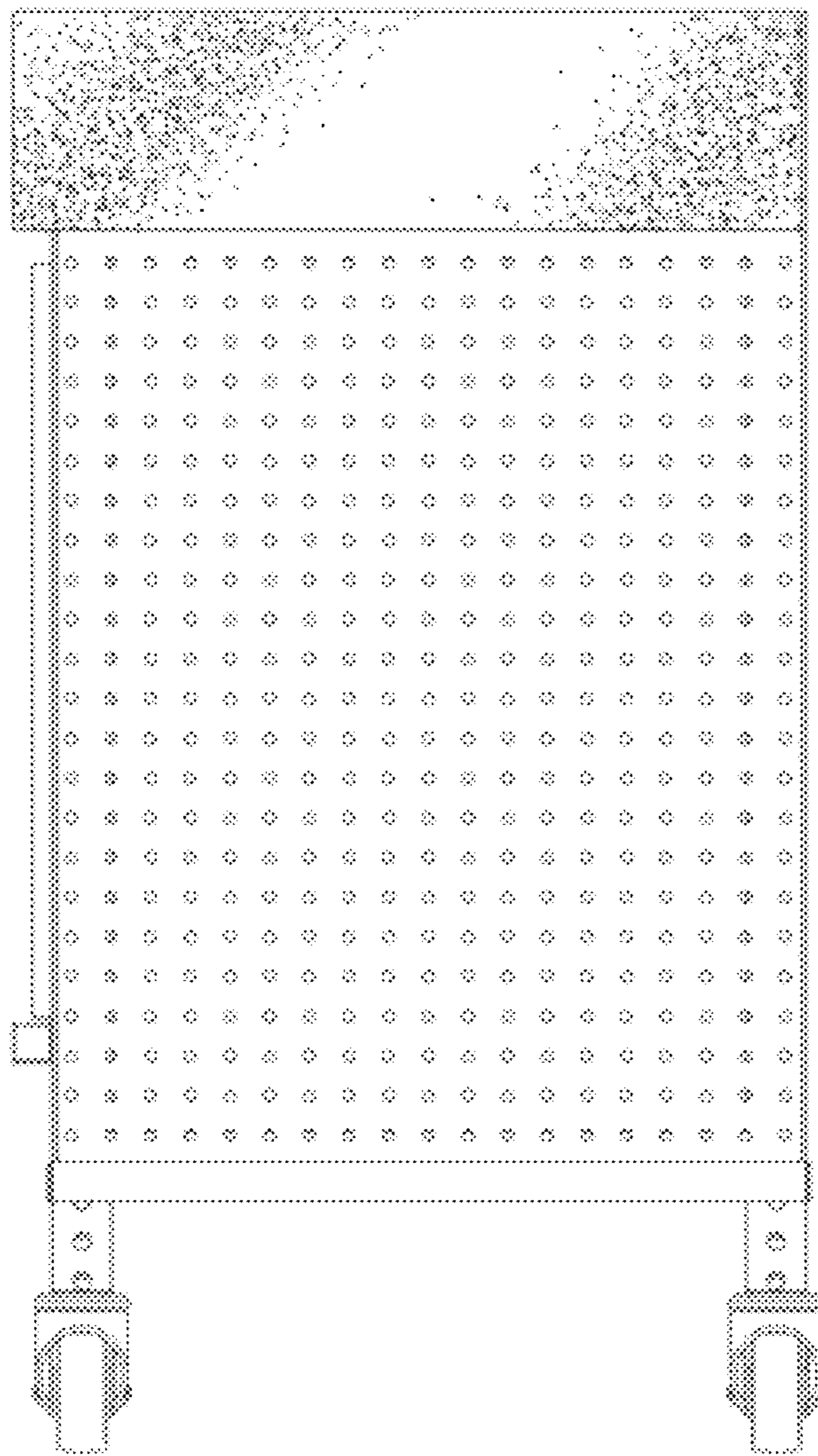


Fig. 12

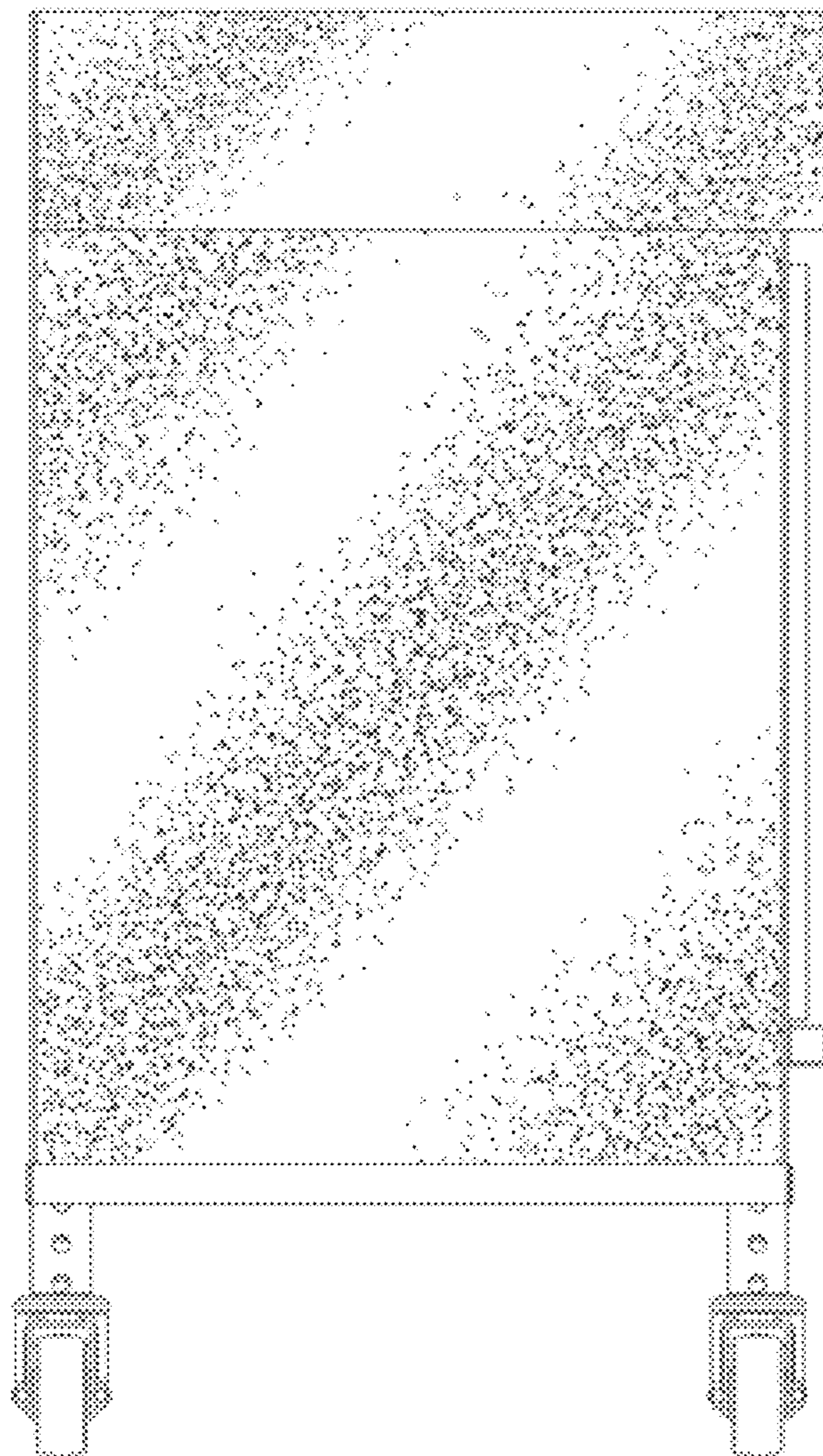


Fig. 13

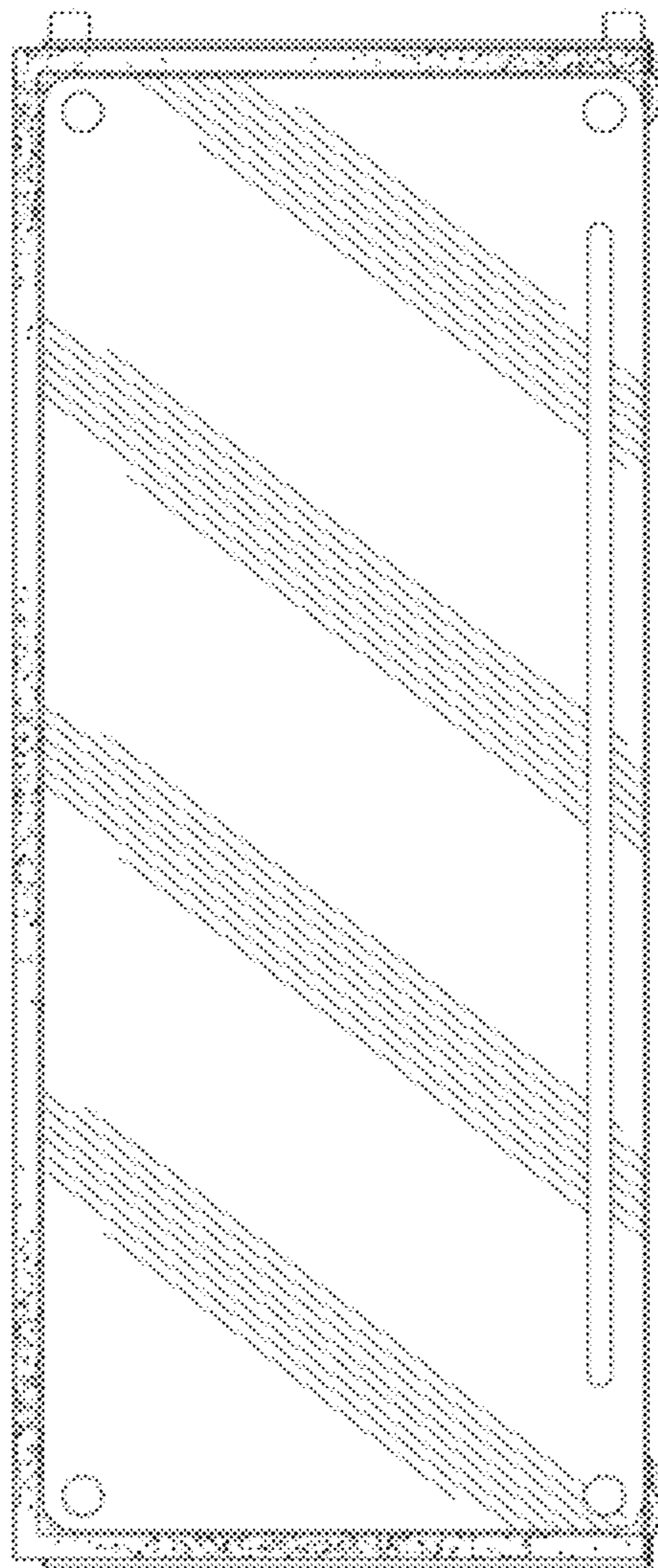


Fig. 14

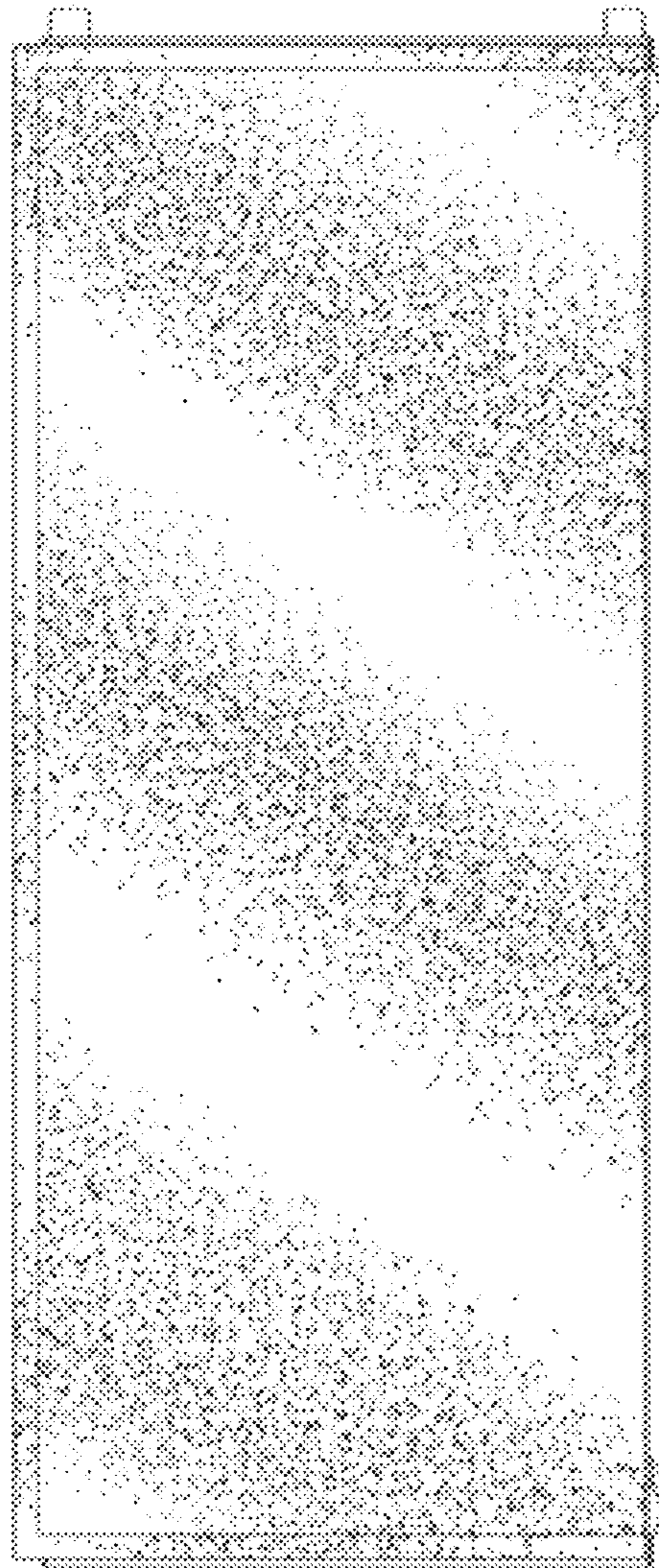


Fig. 15

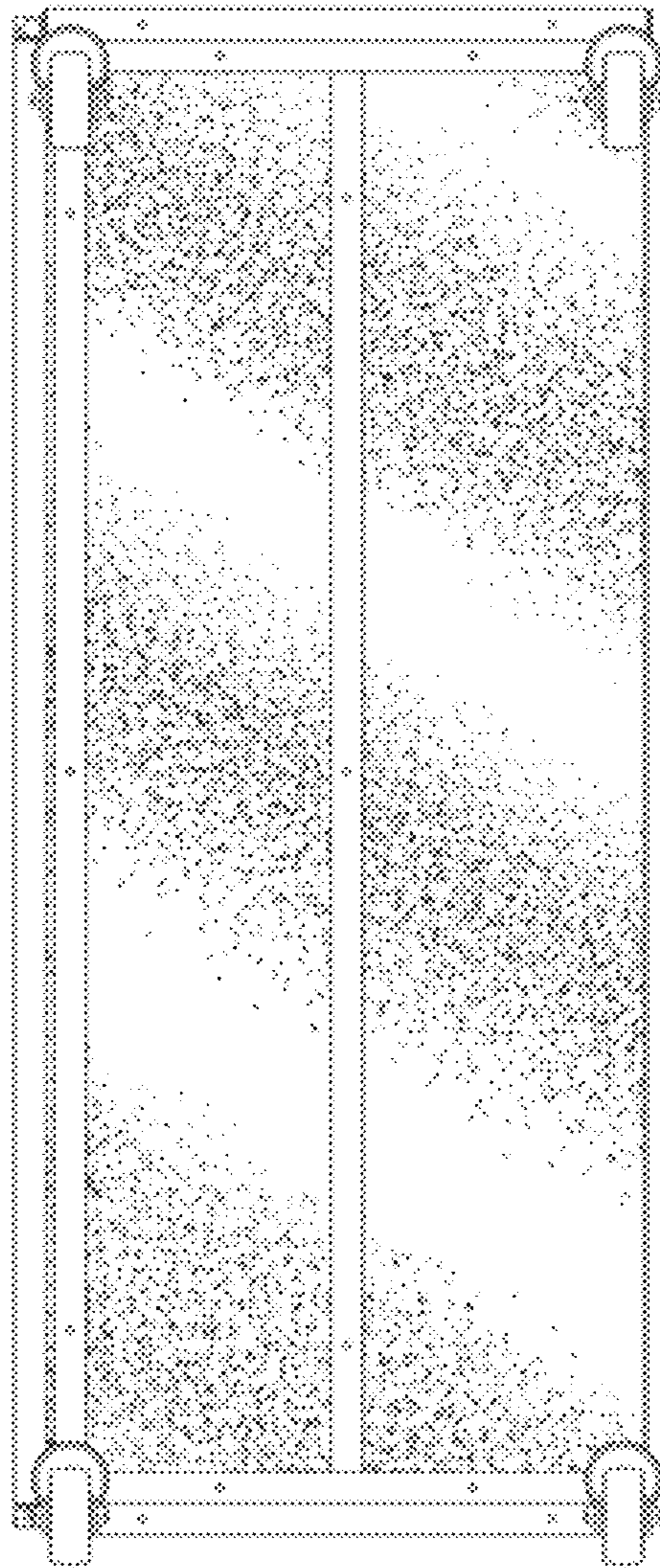


Fig. 16

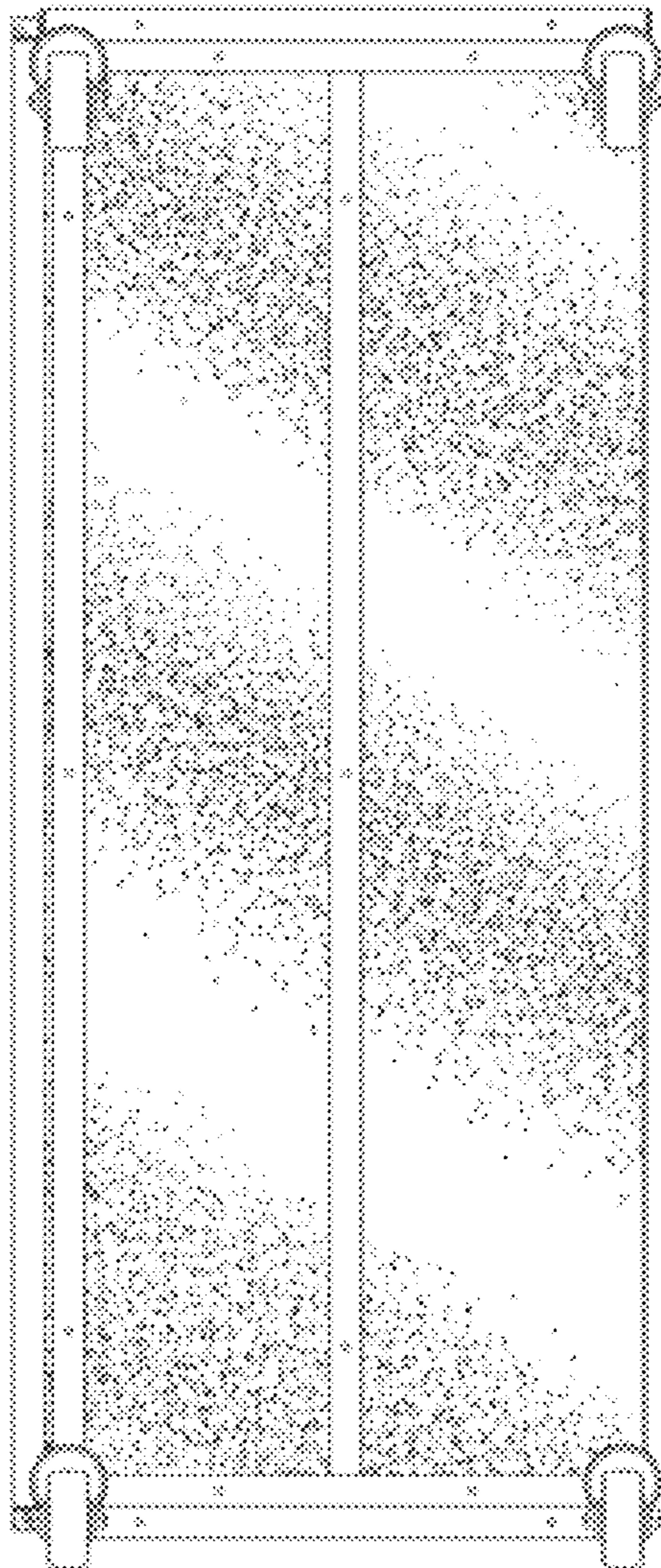


Fig. 17

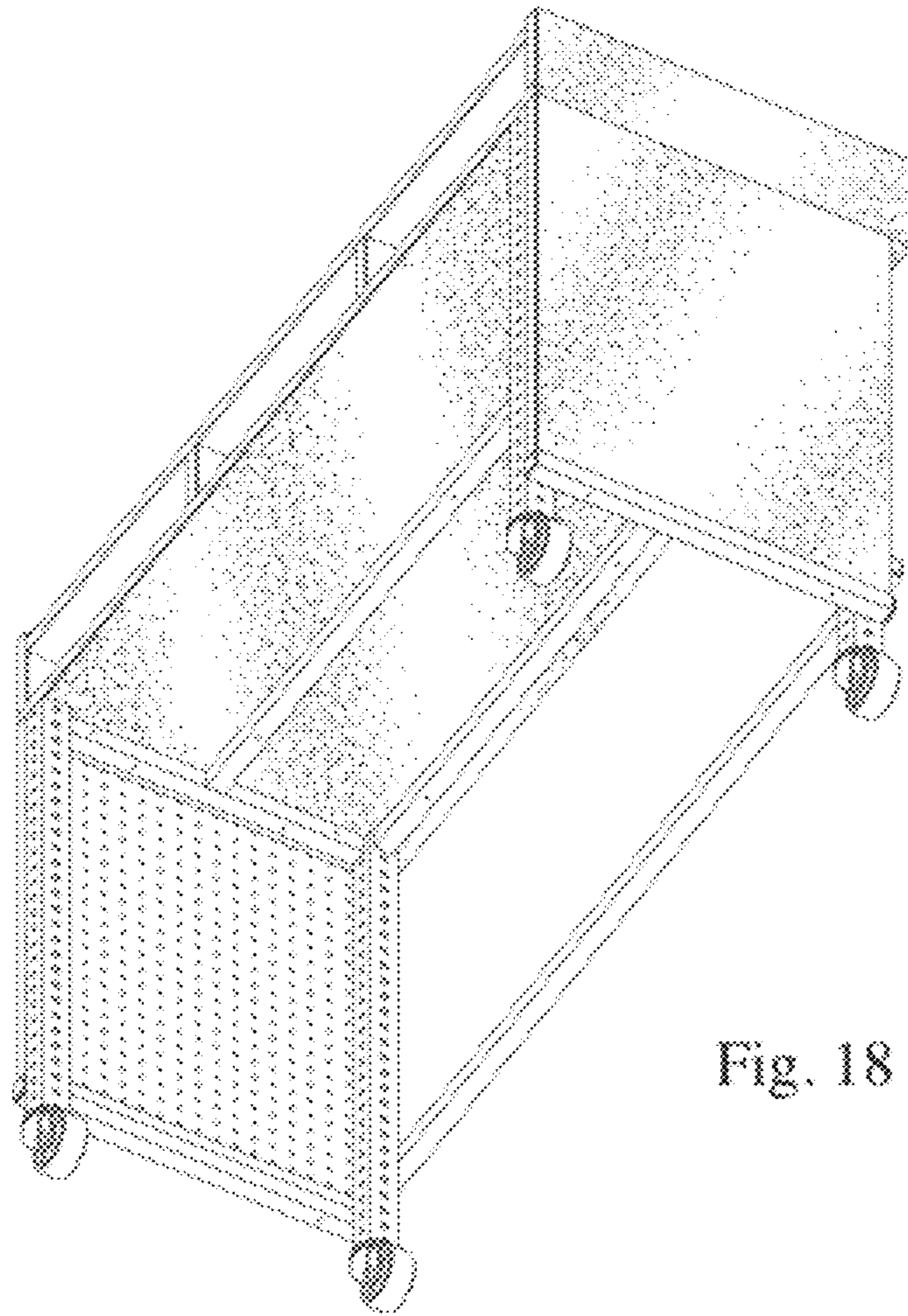


Fig. 18

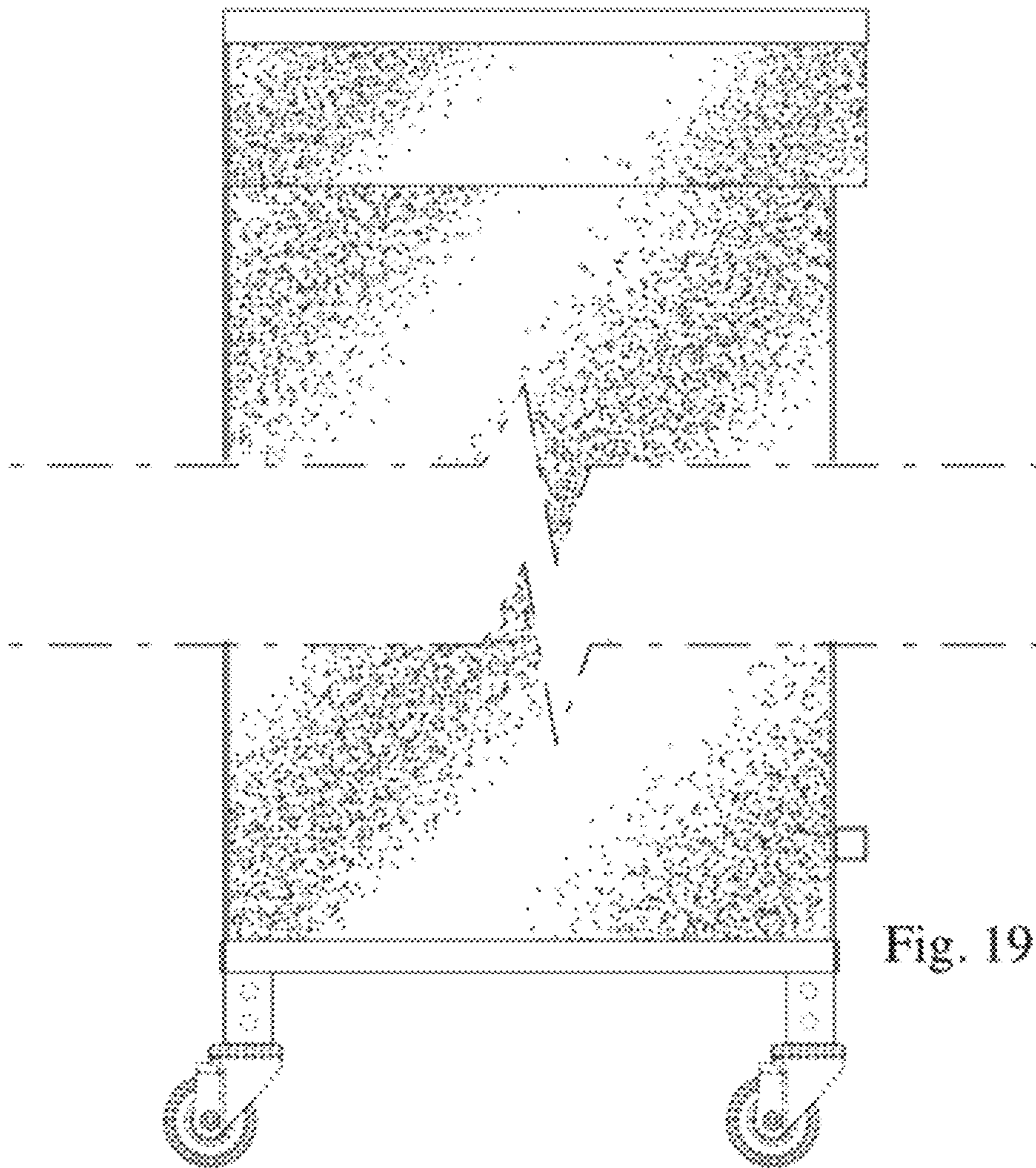
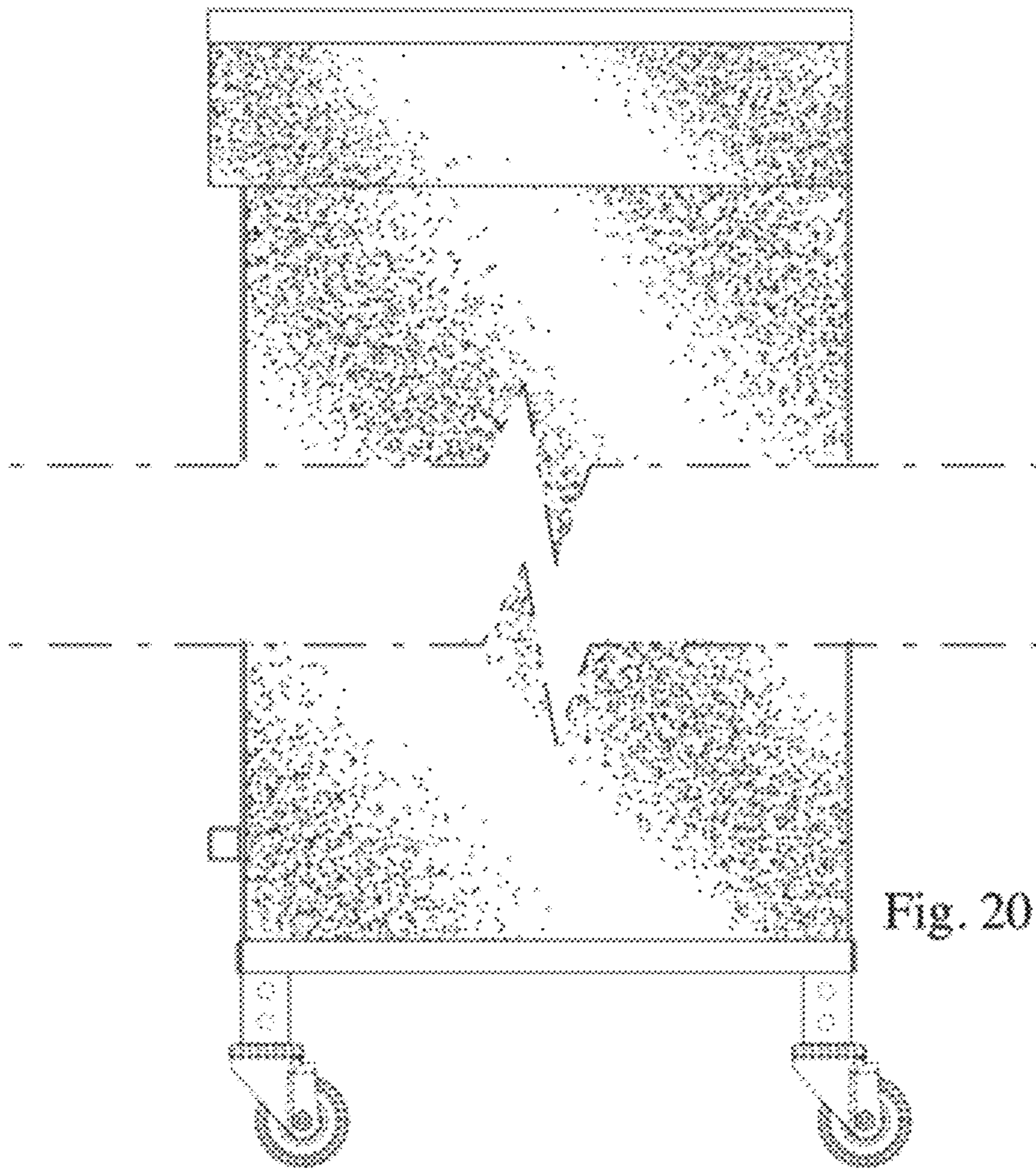


Fig. 19



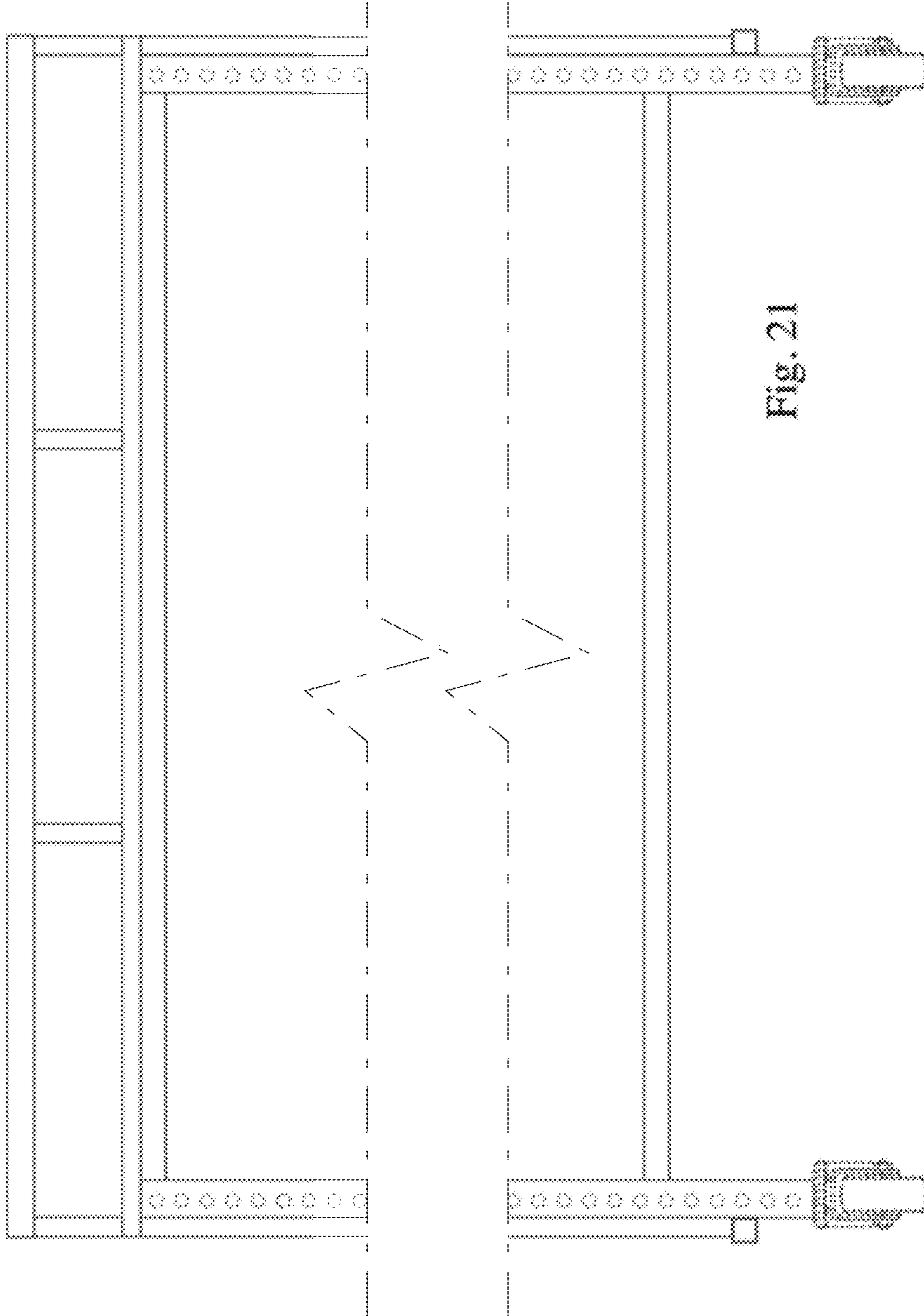
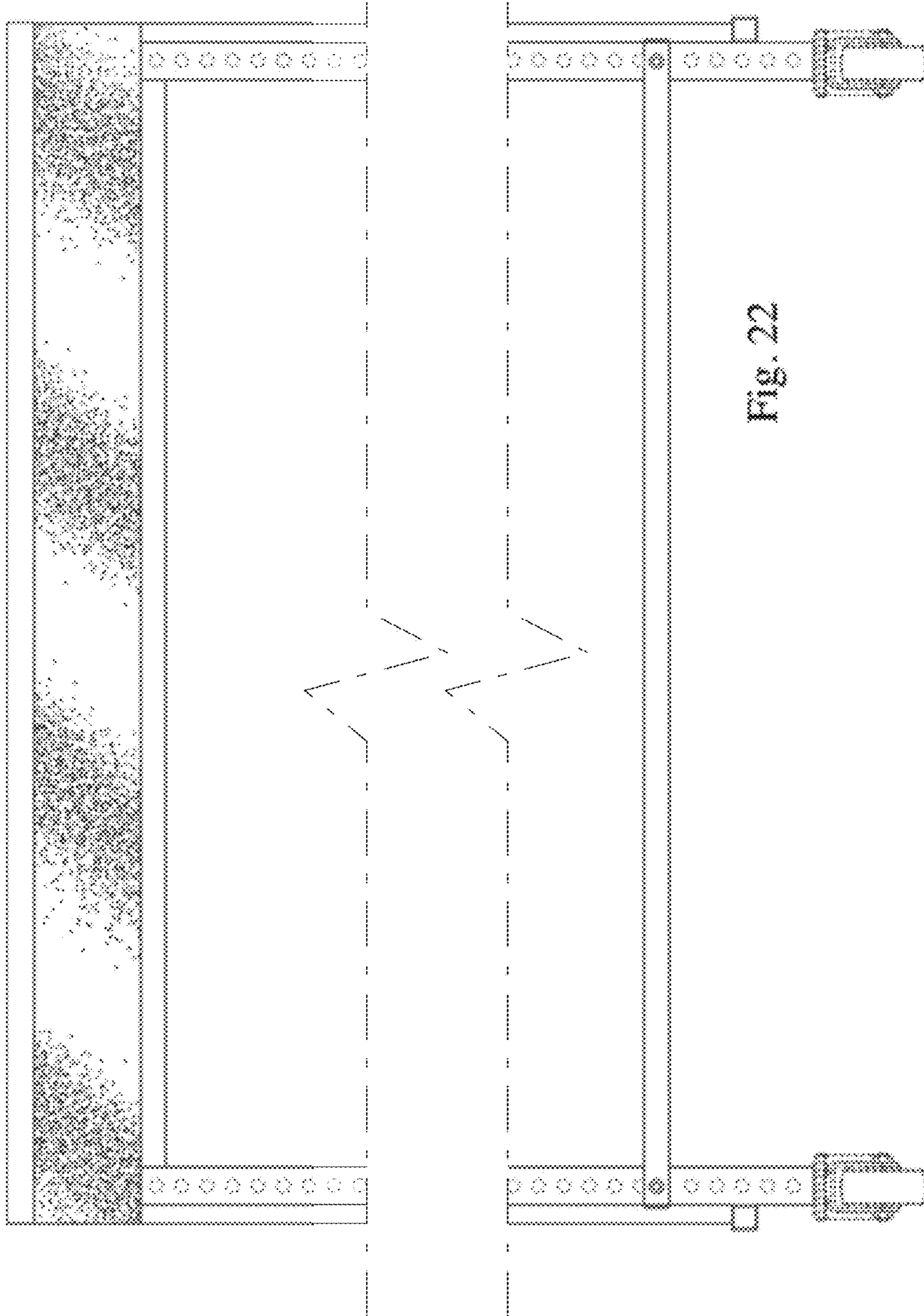


Fig. 21



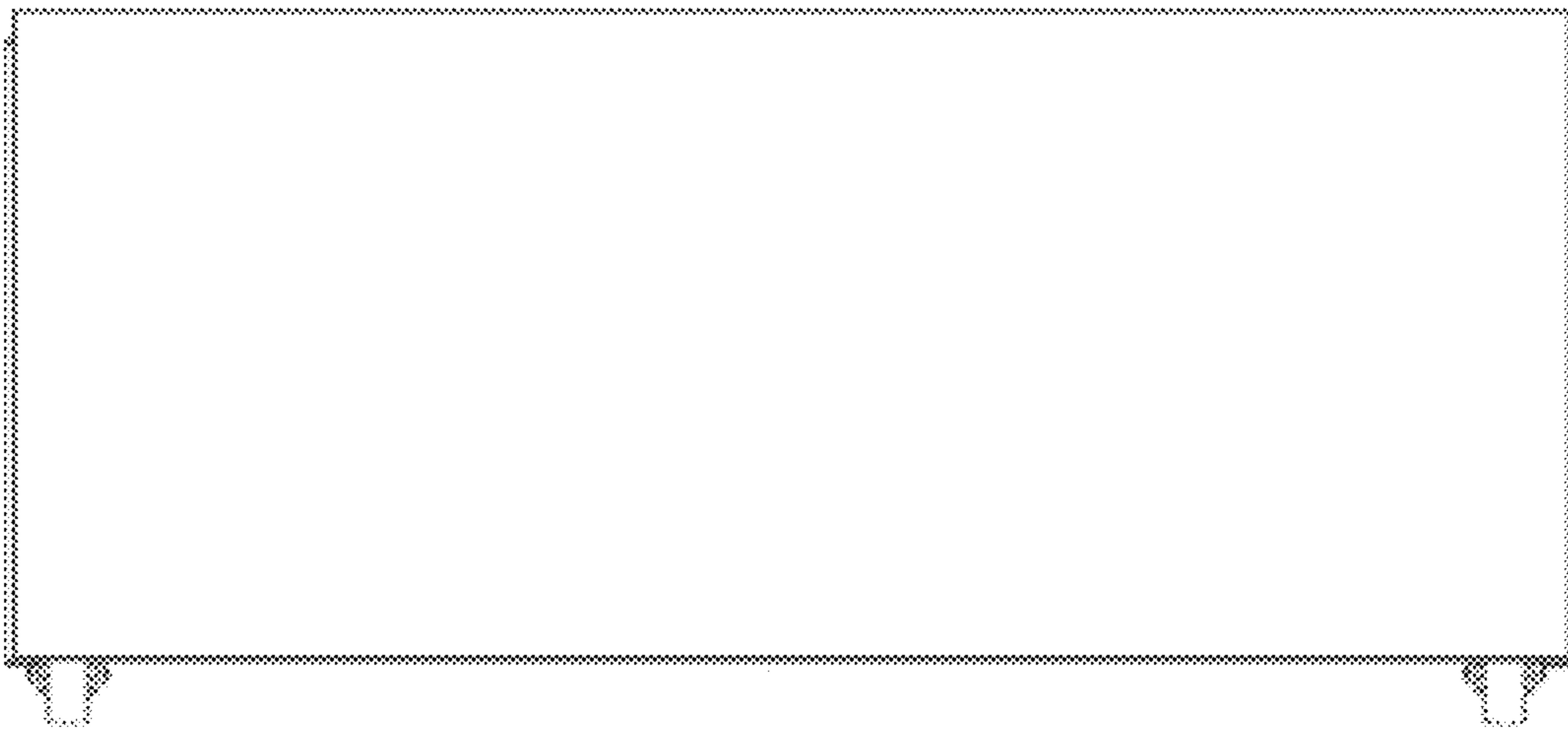


Fig 23

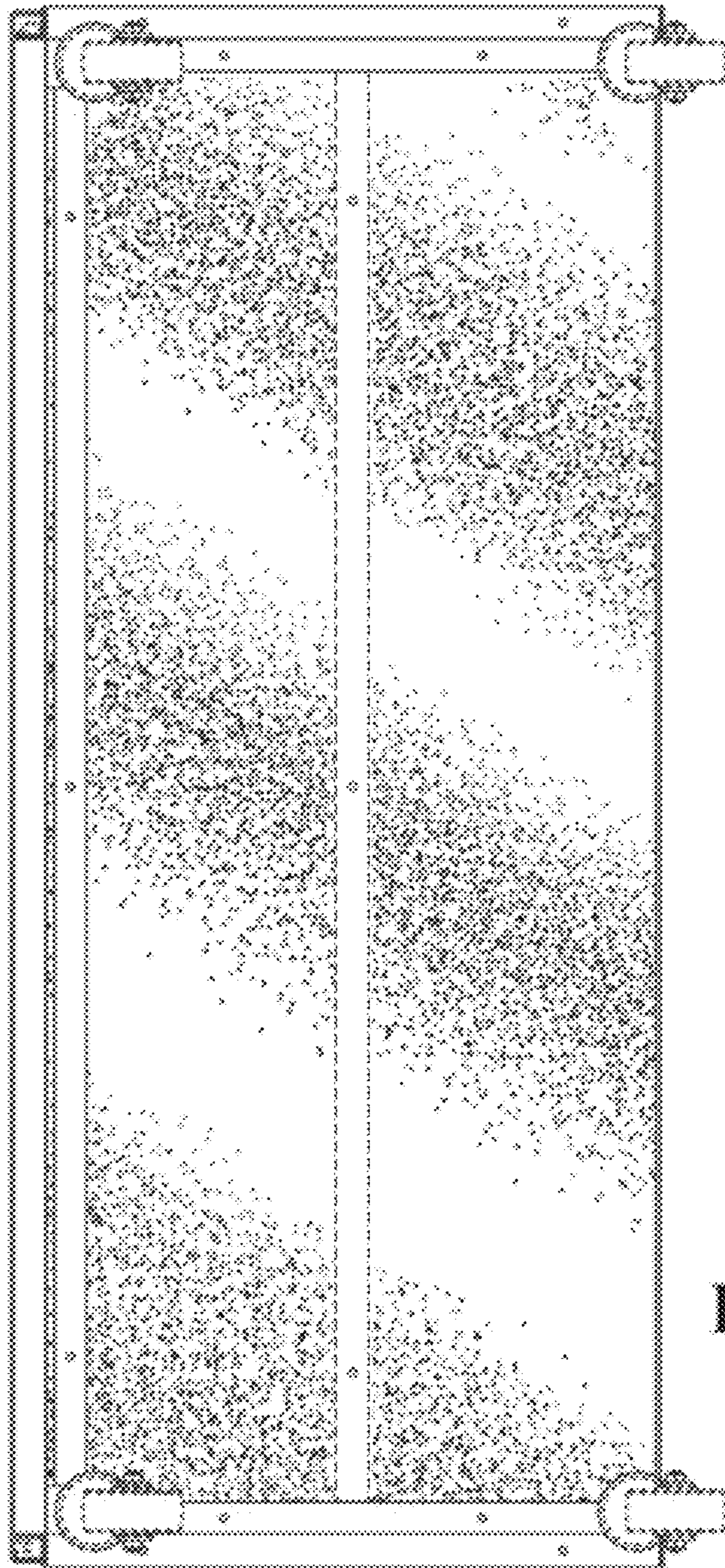


Fig. 24

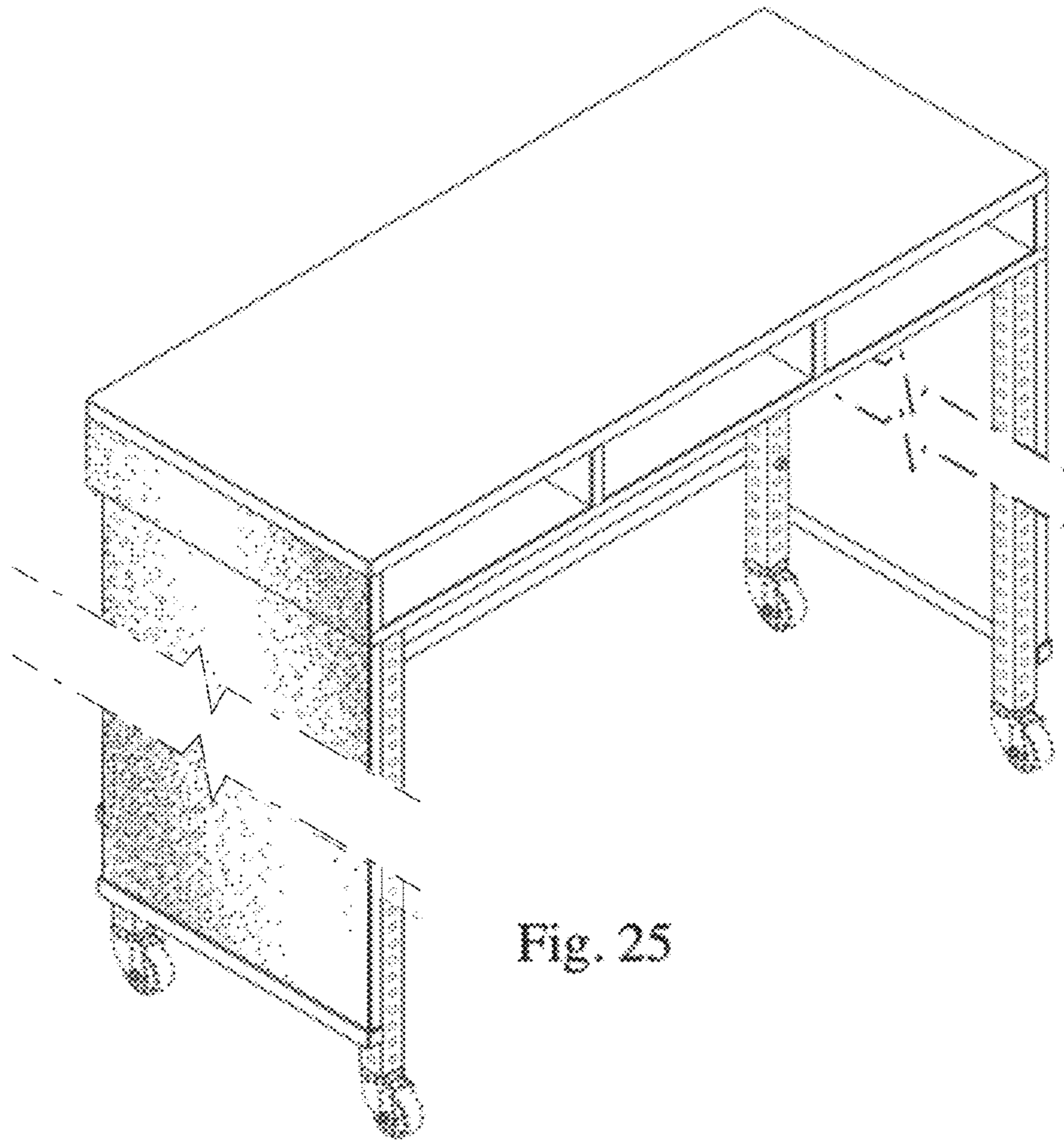


Fig. 25

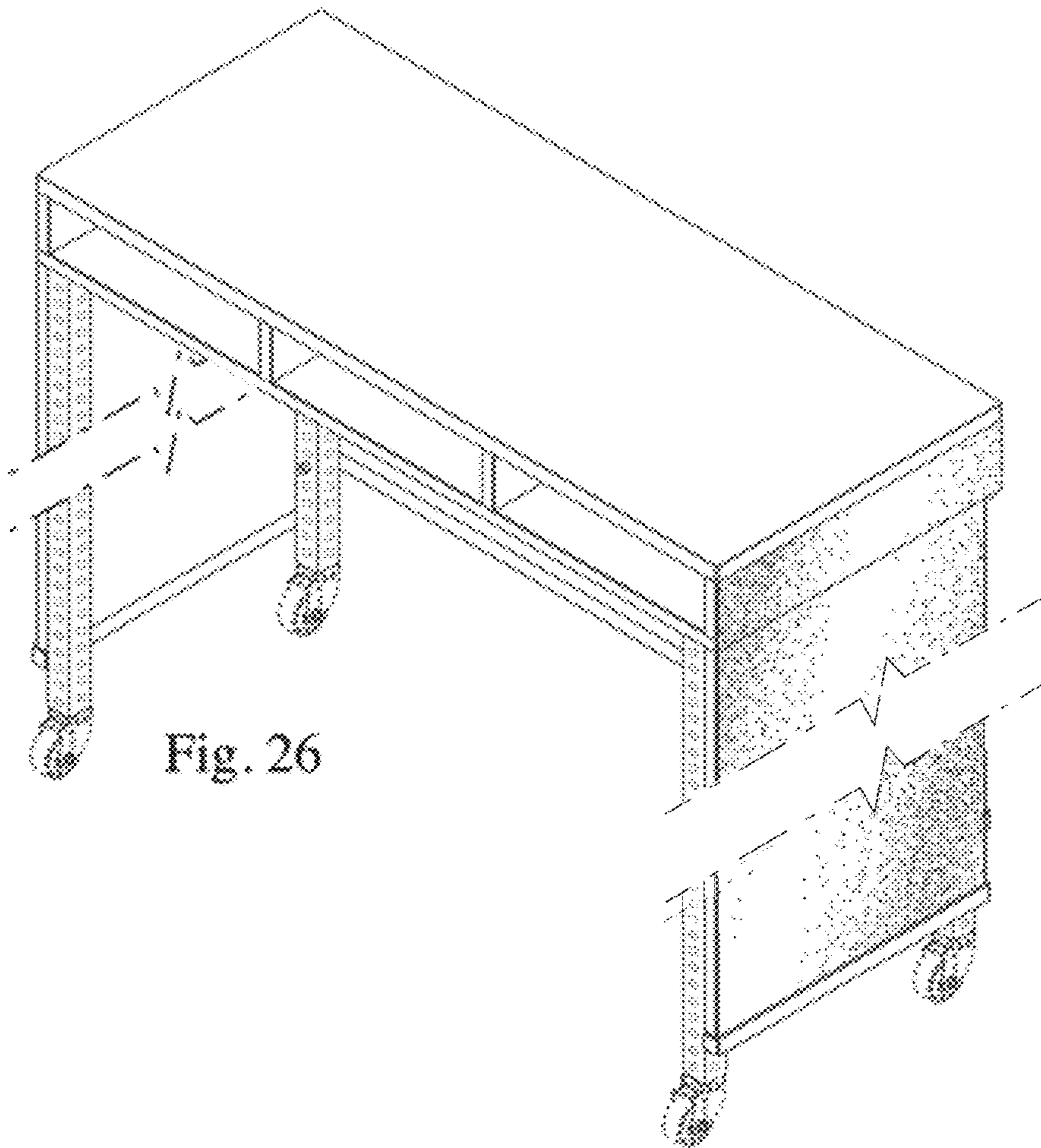


Fig. 26

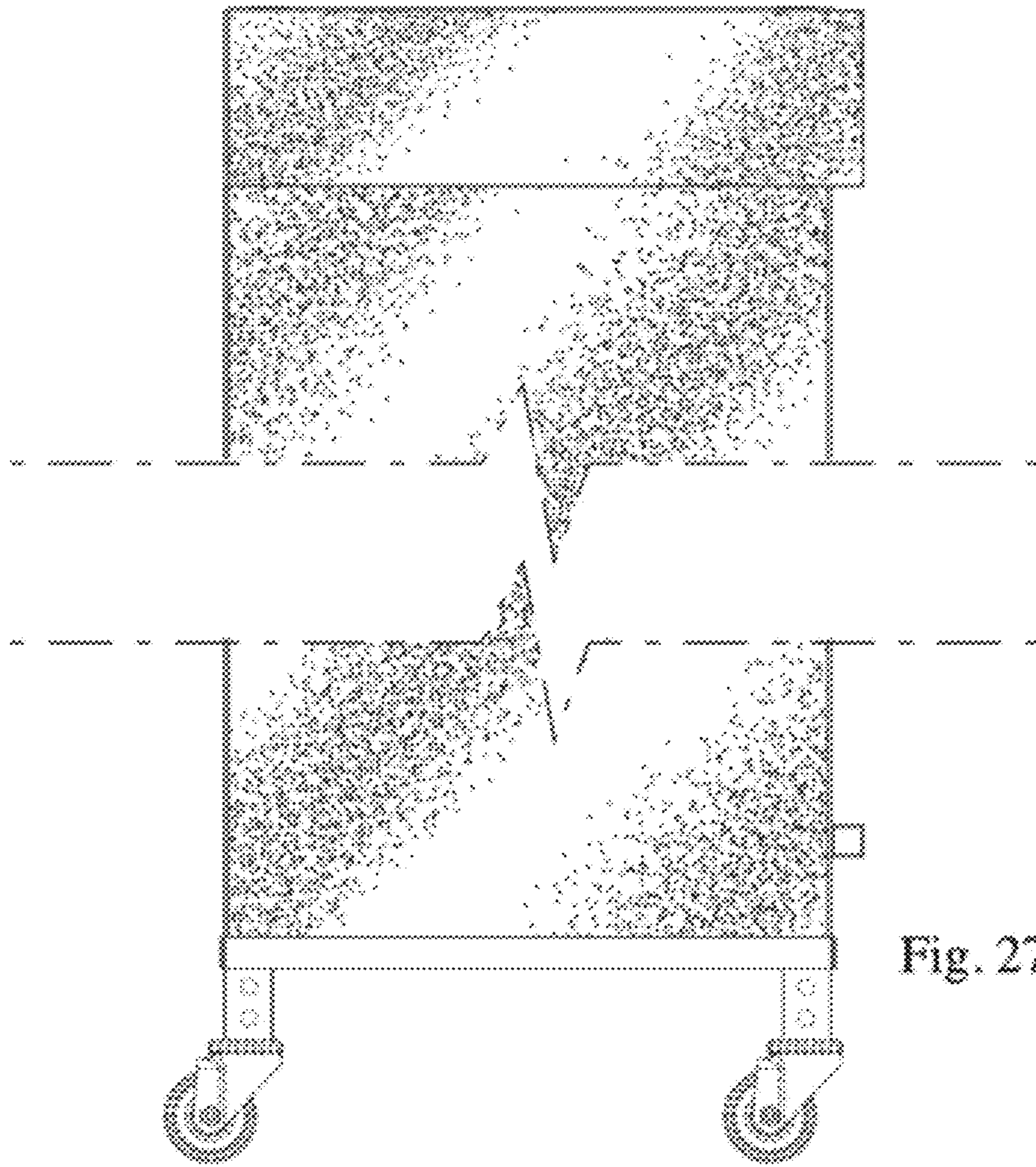


Fig. 27

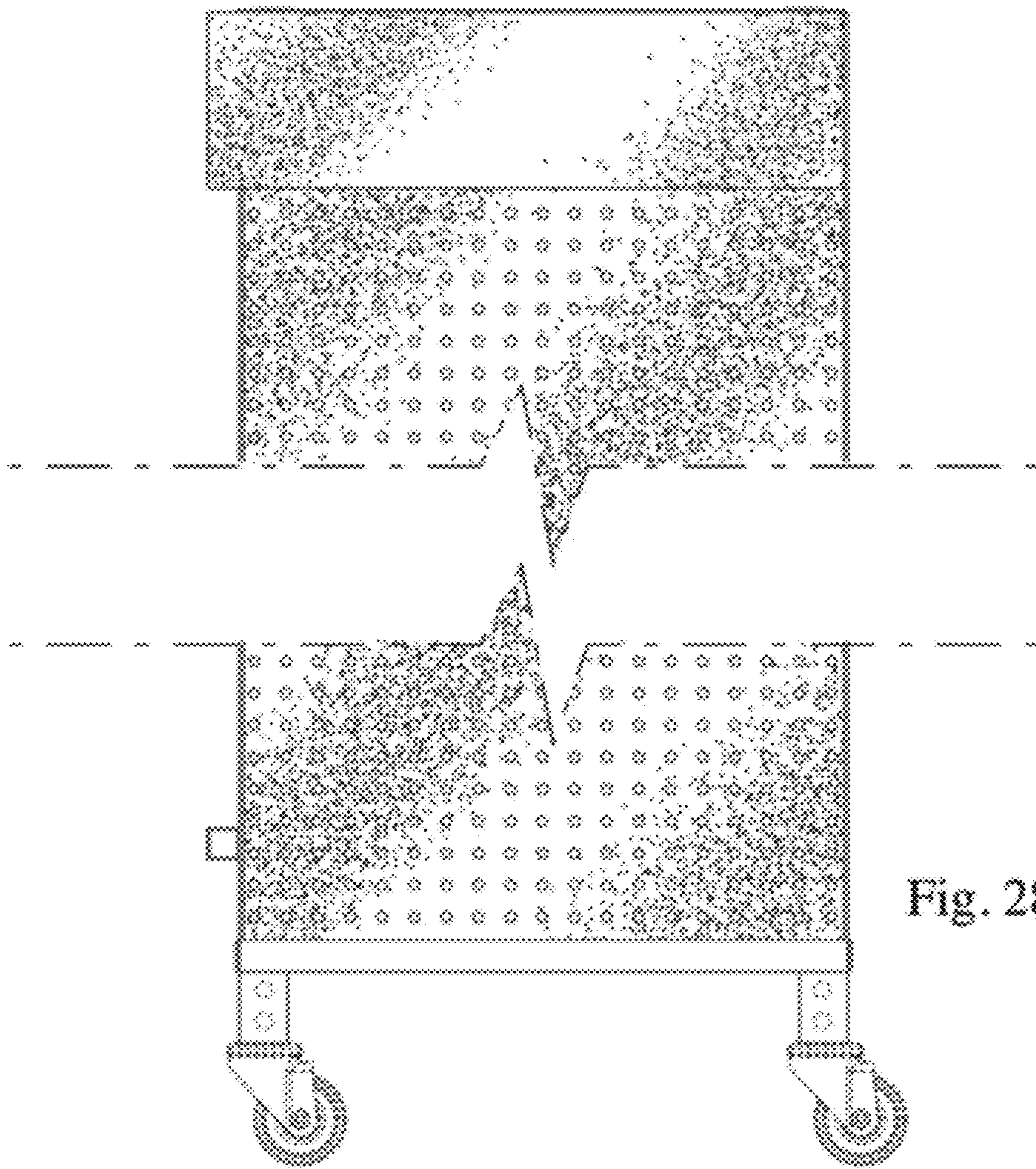
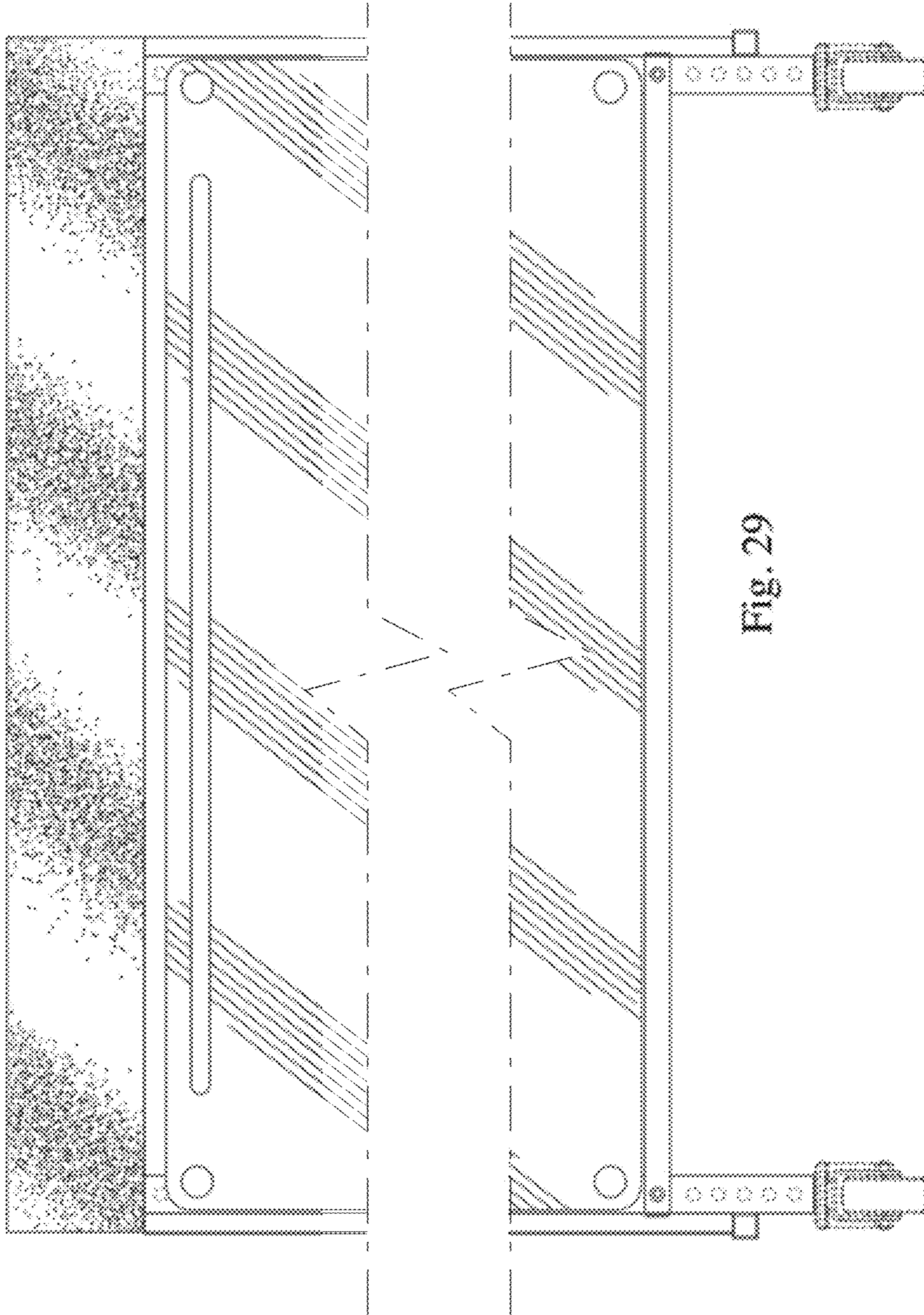


Fig. 28



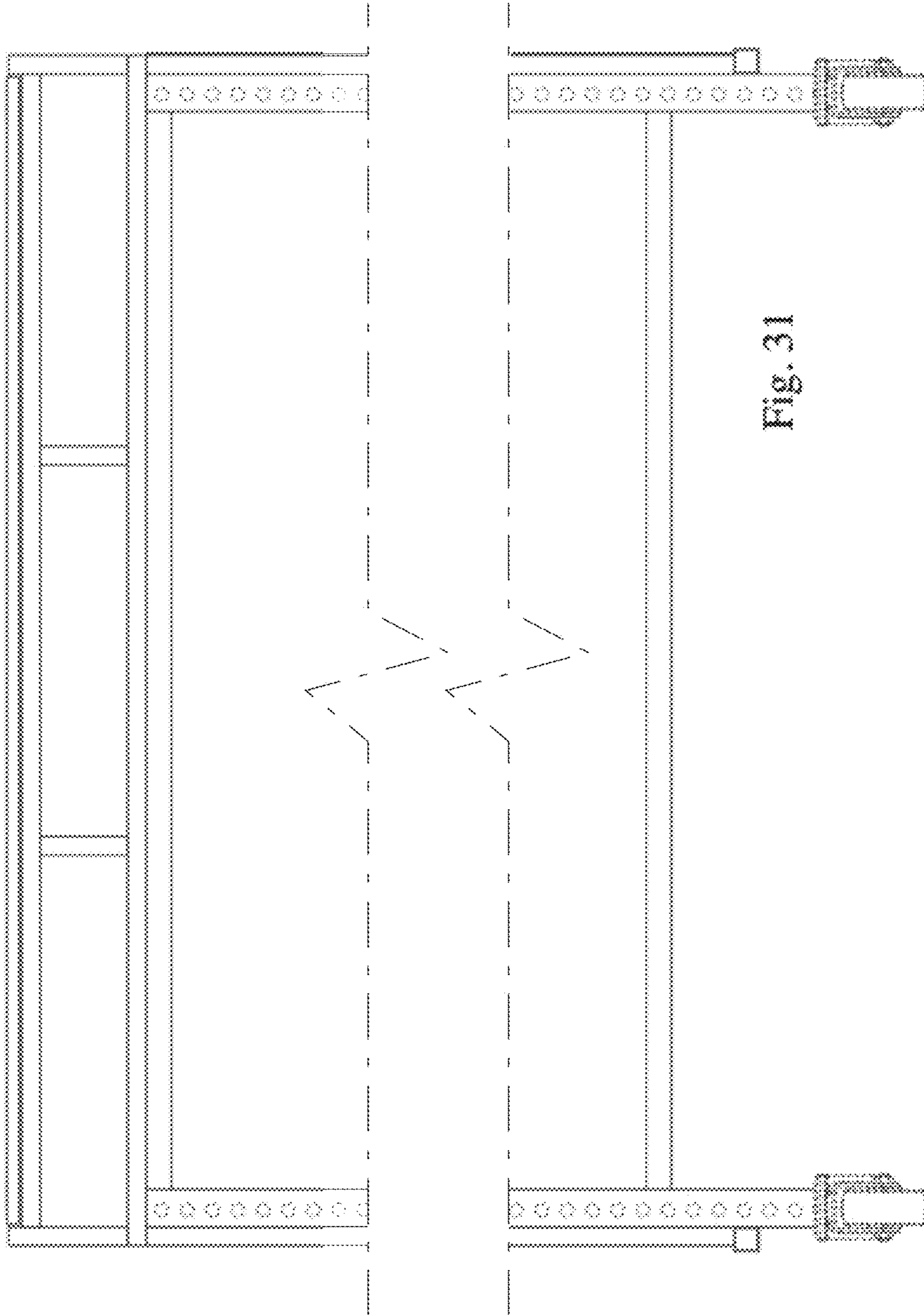


Fig. 31

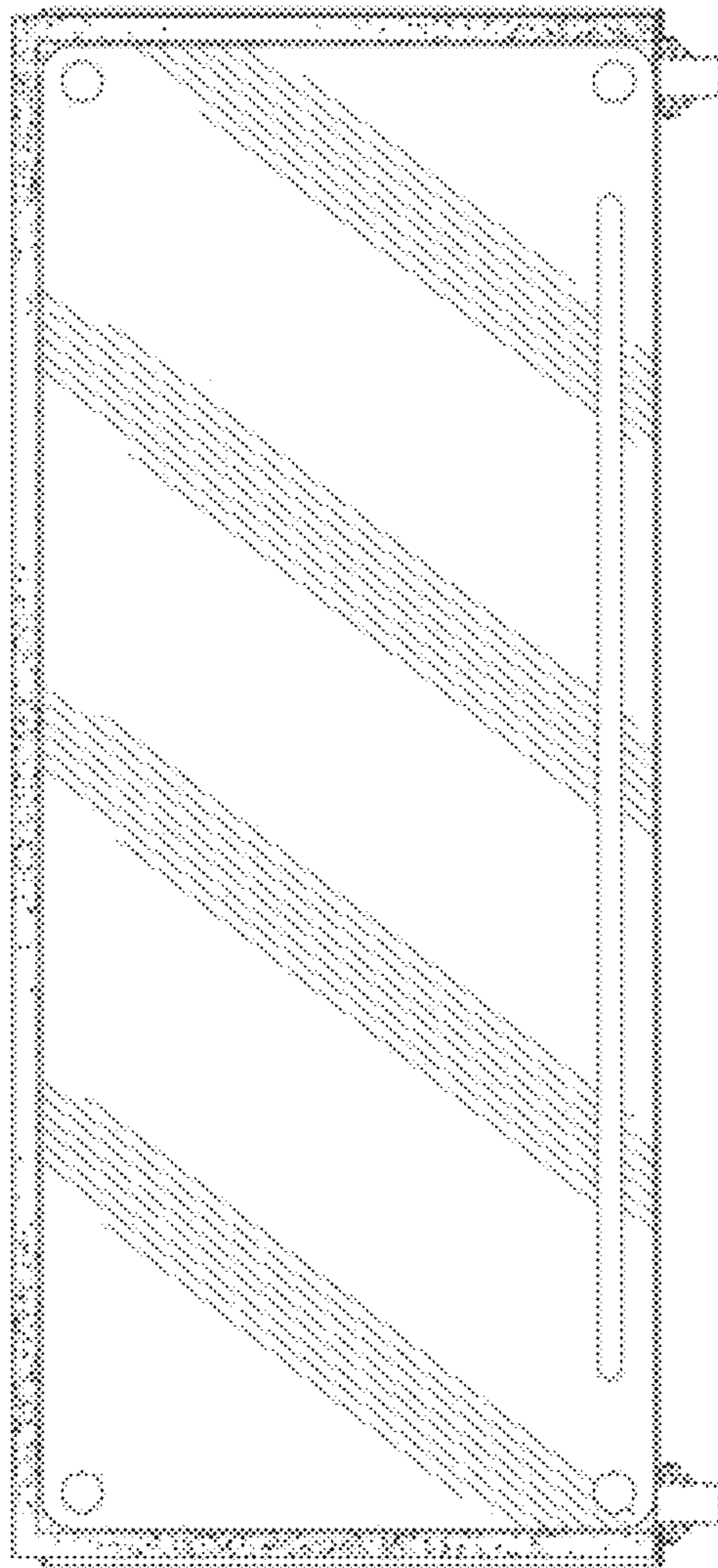


Fig. 32

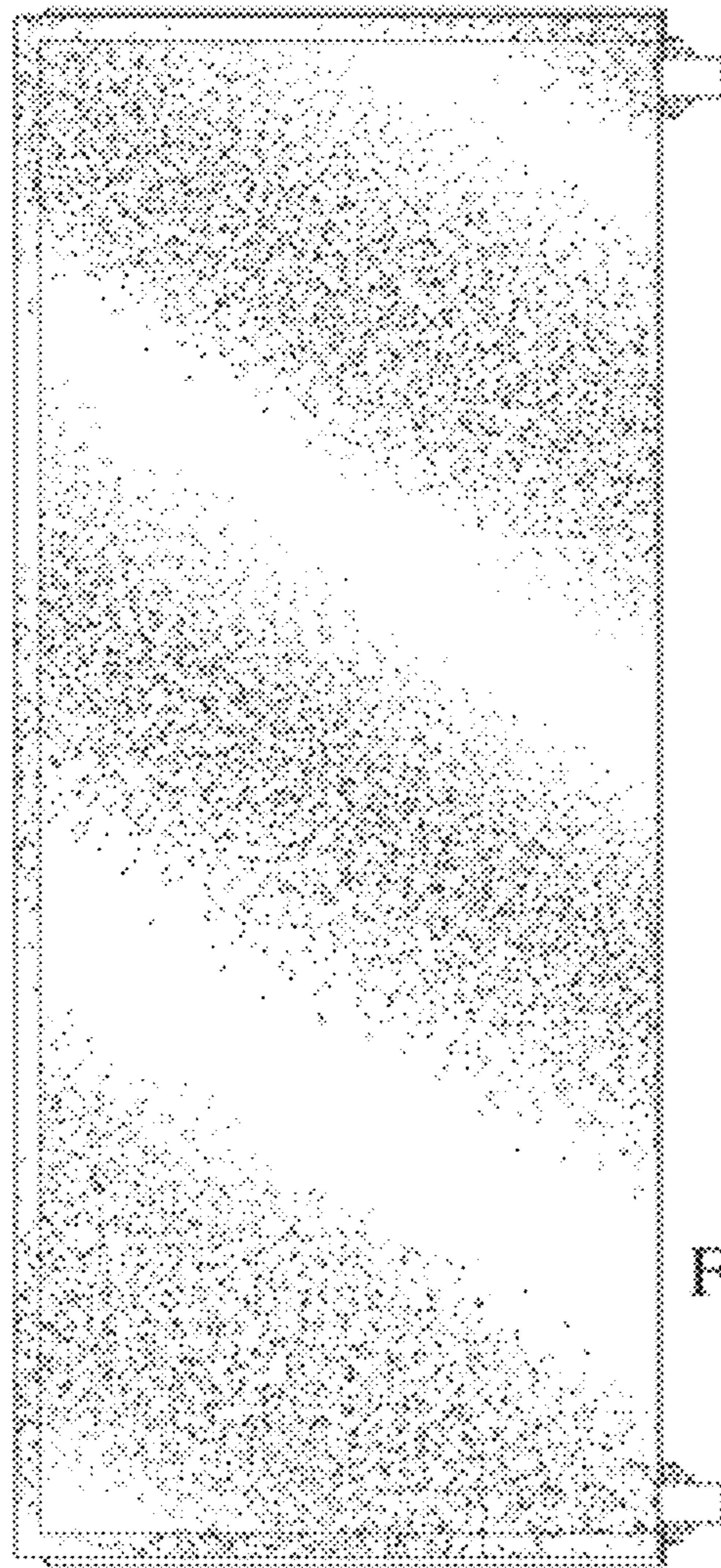


Fig. 33

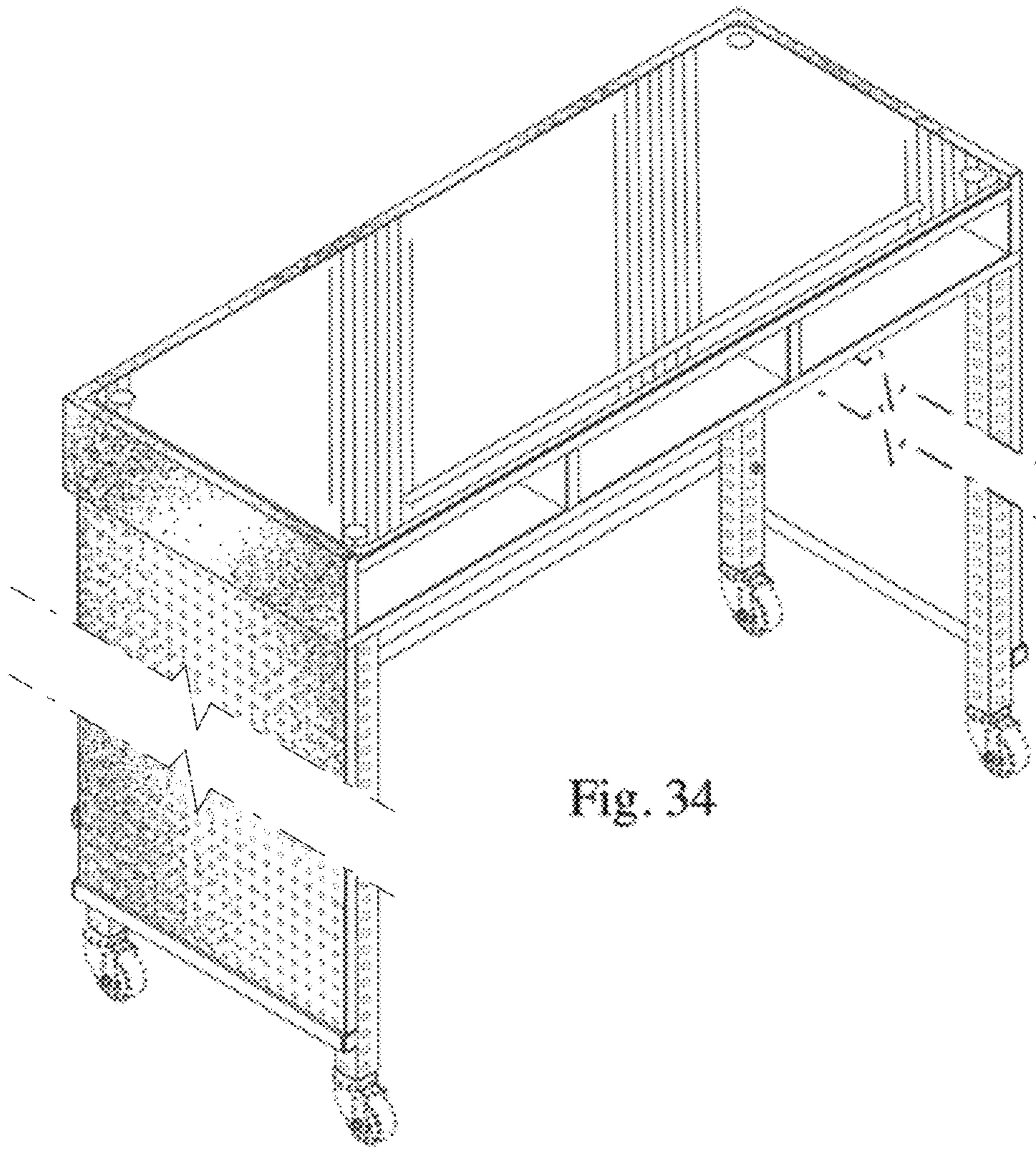


Fig. 34

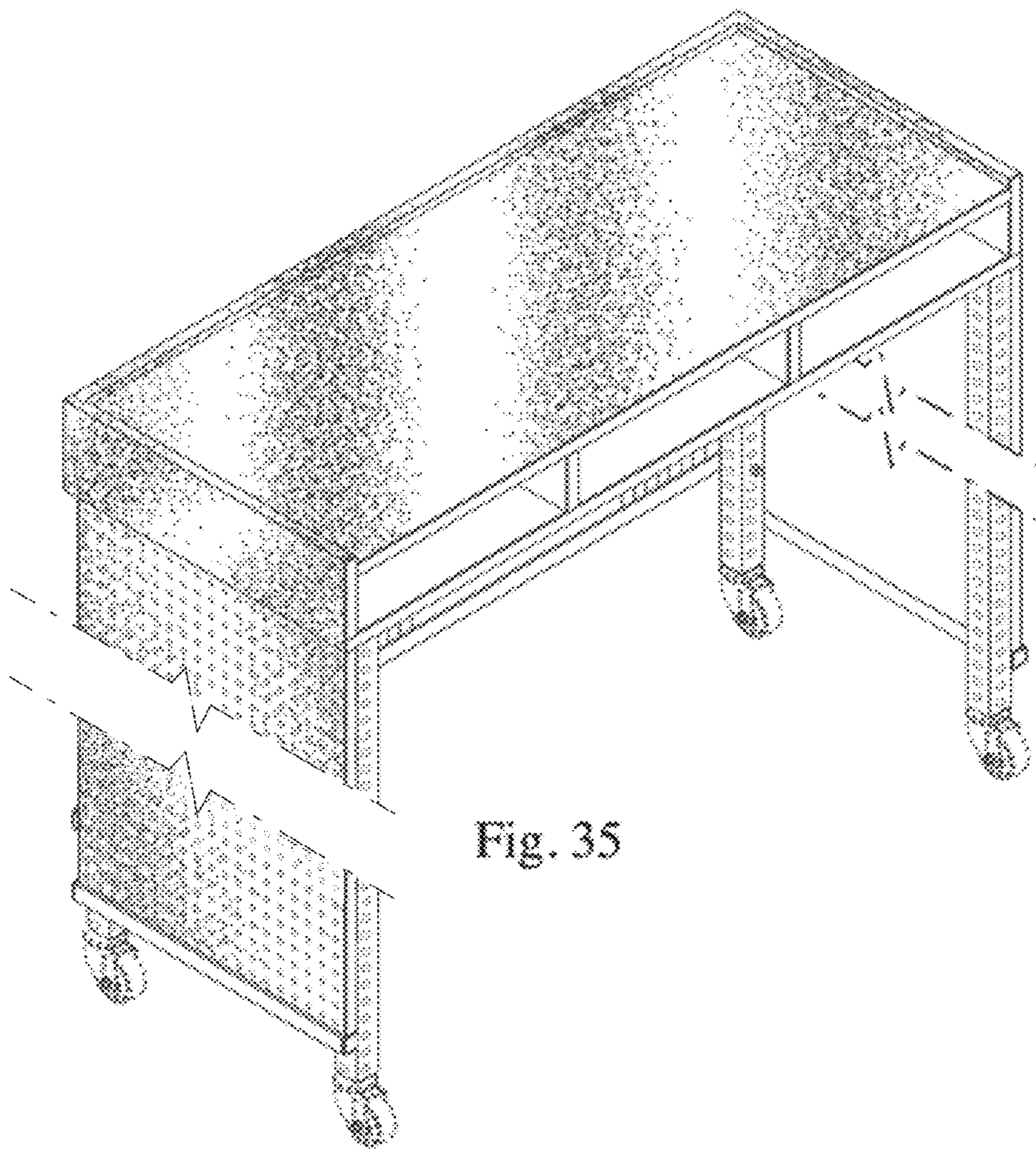
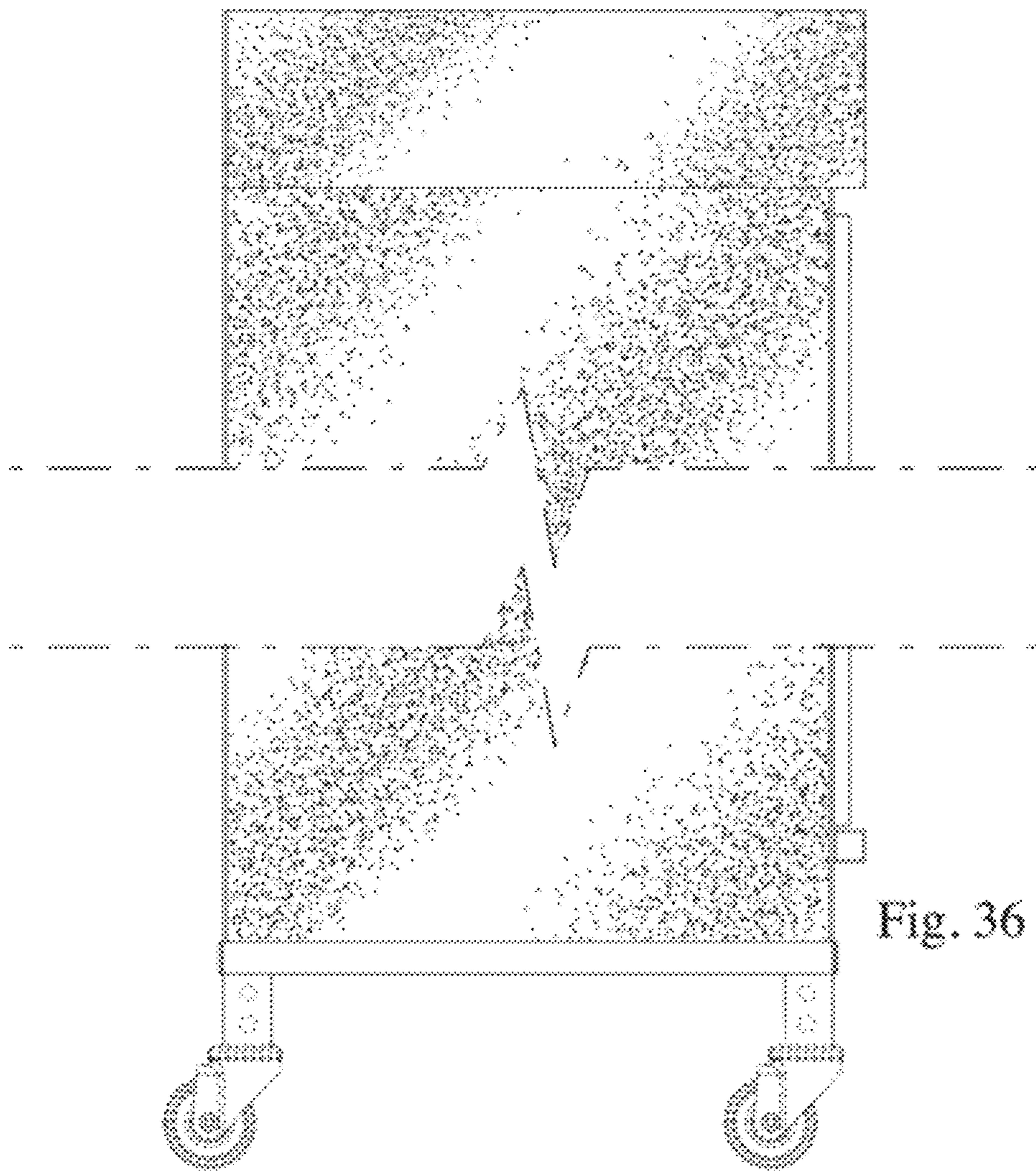


Fig. 35



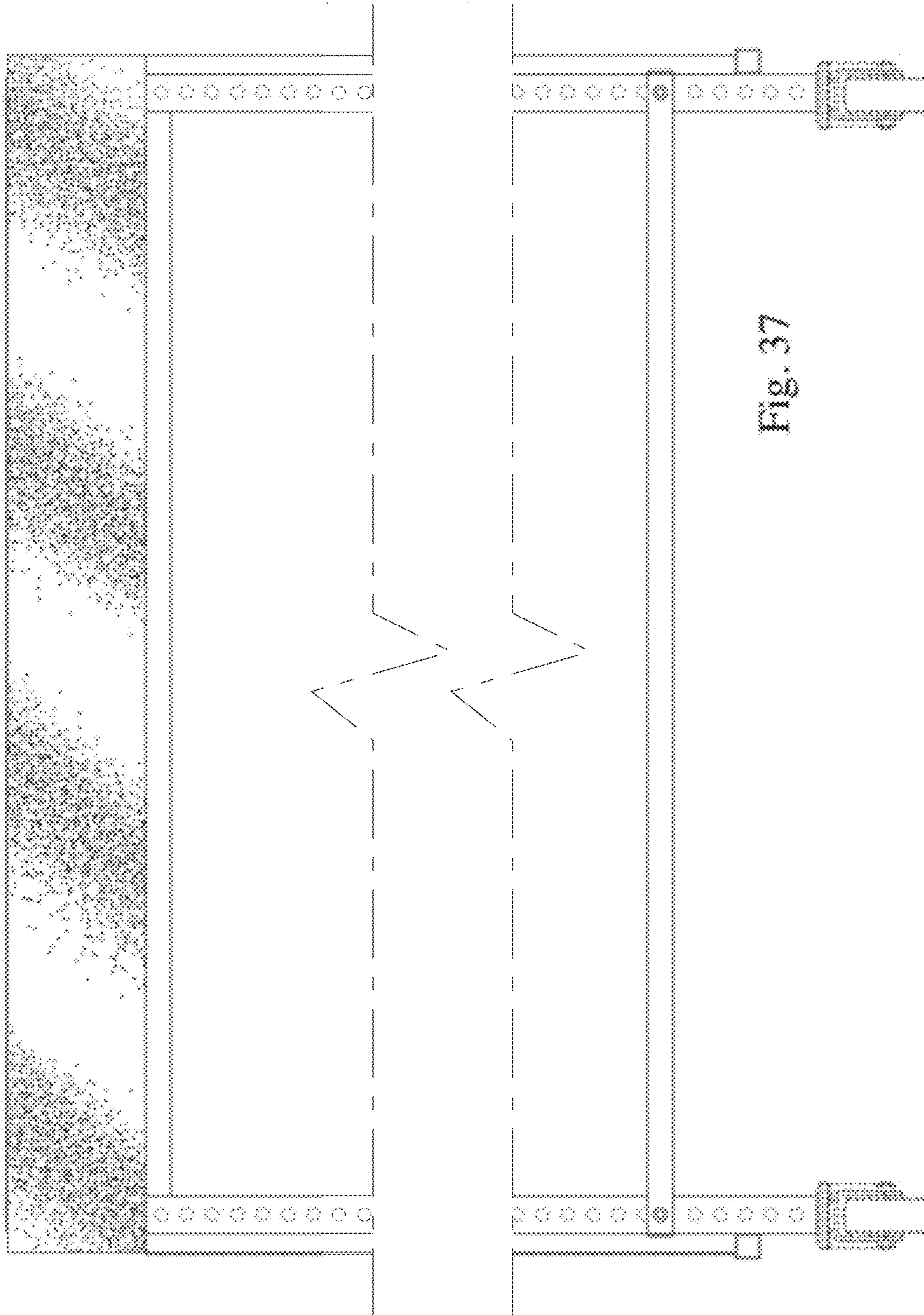


Fig. 37

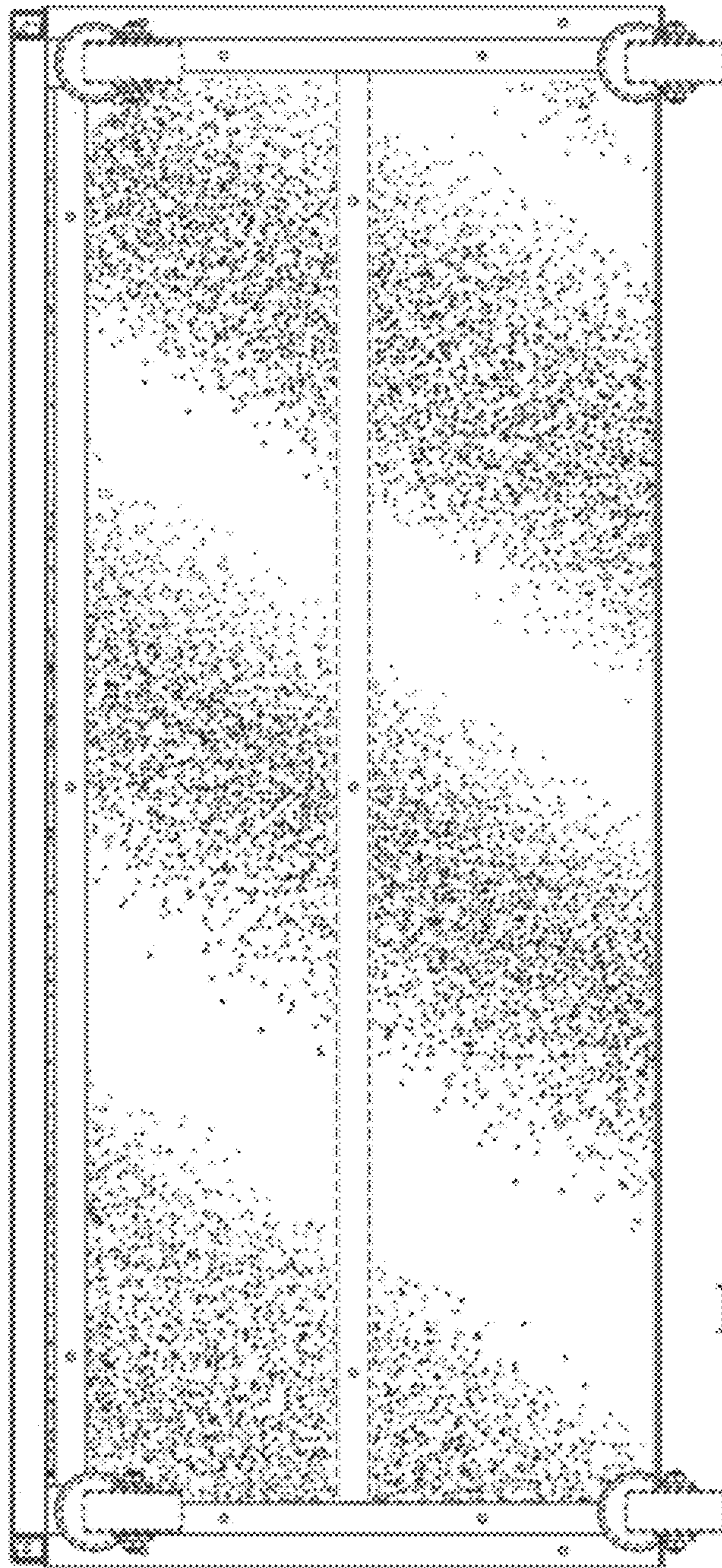


Fig. 38

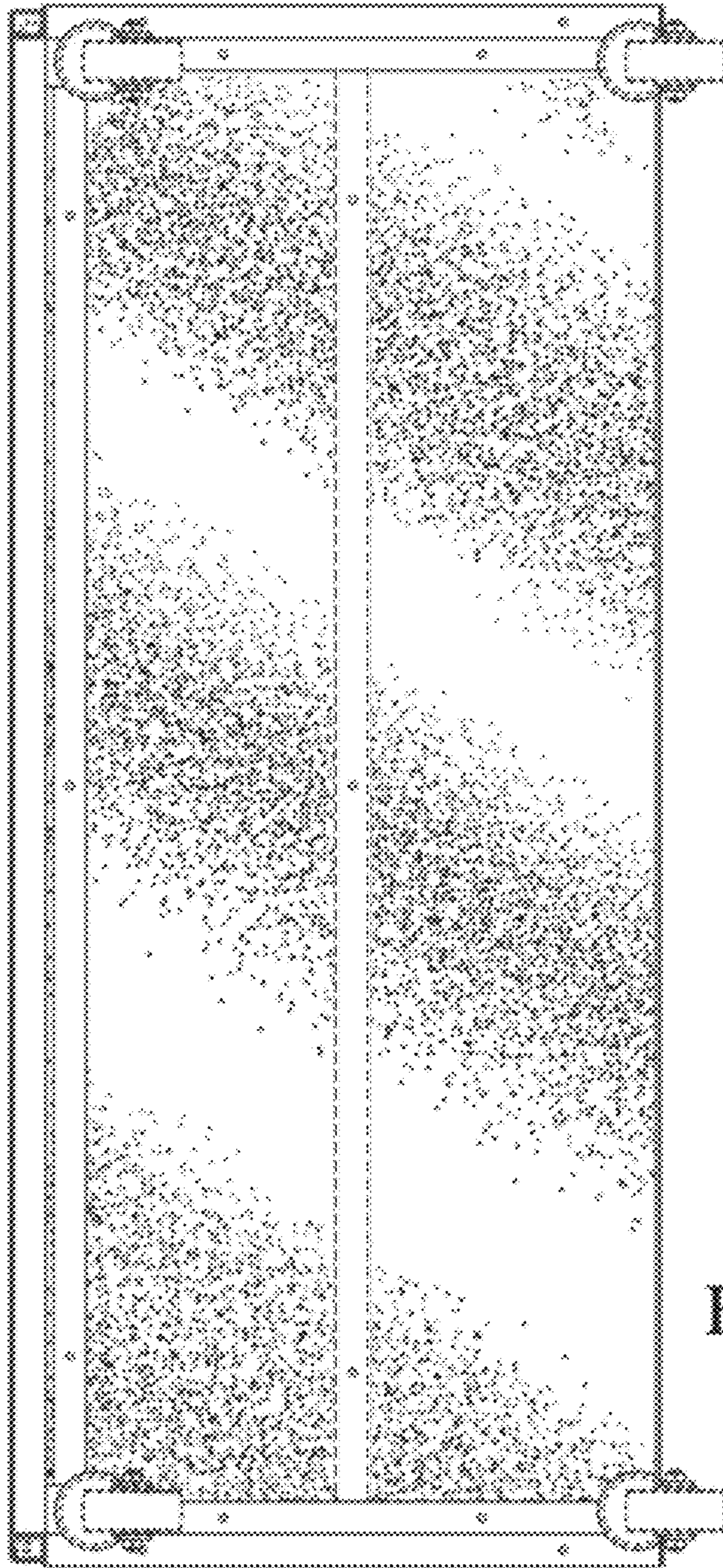


Fig. 39

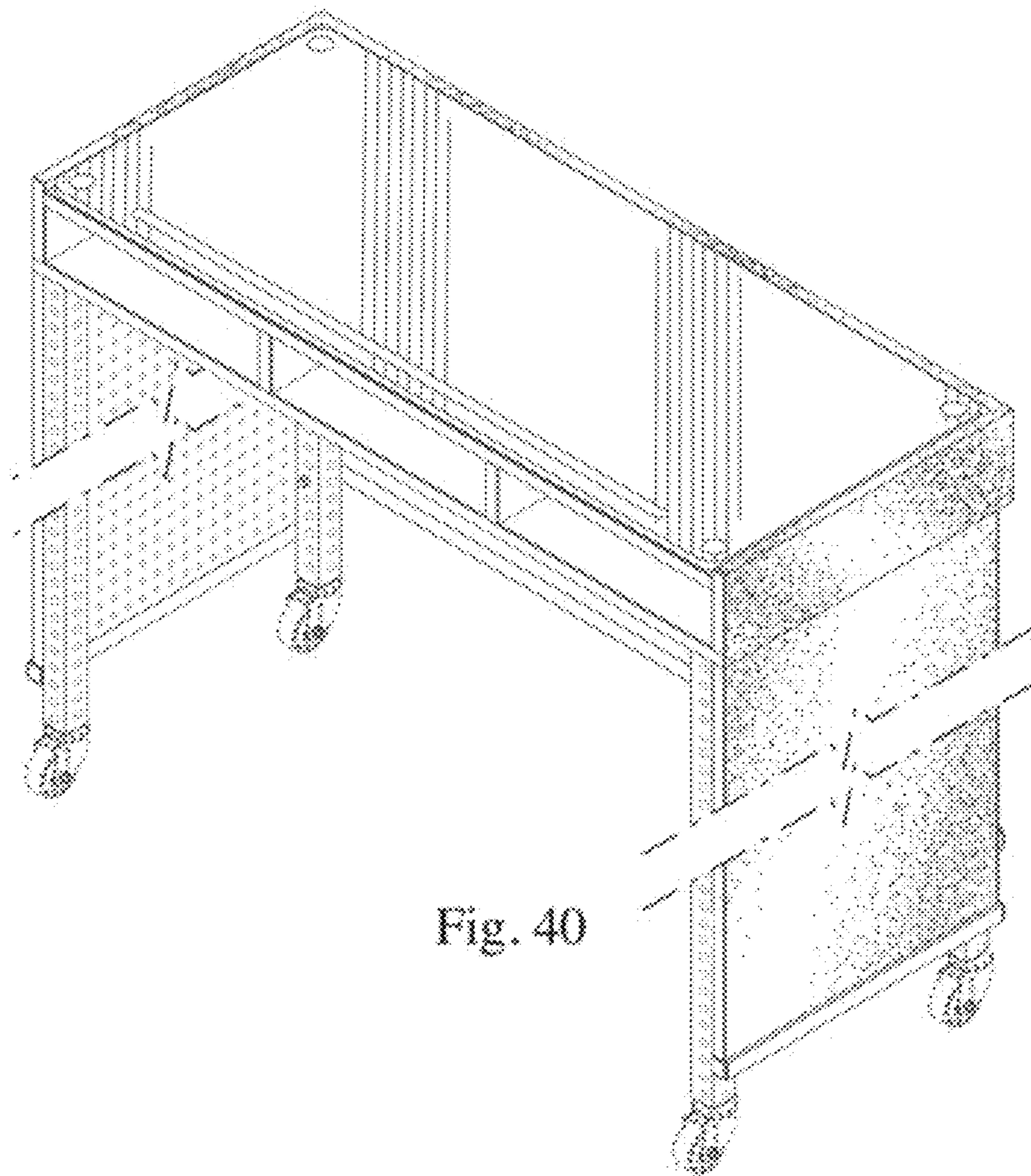


Fig. 40

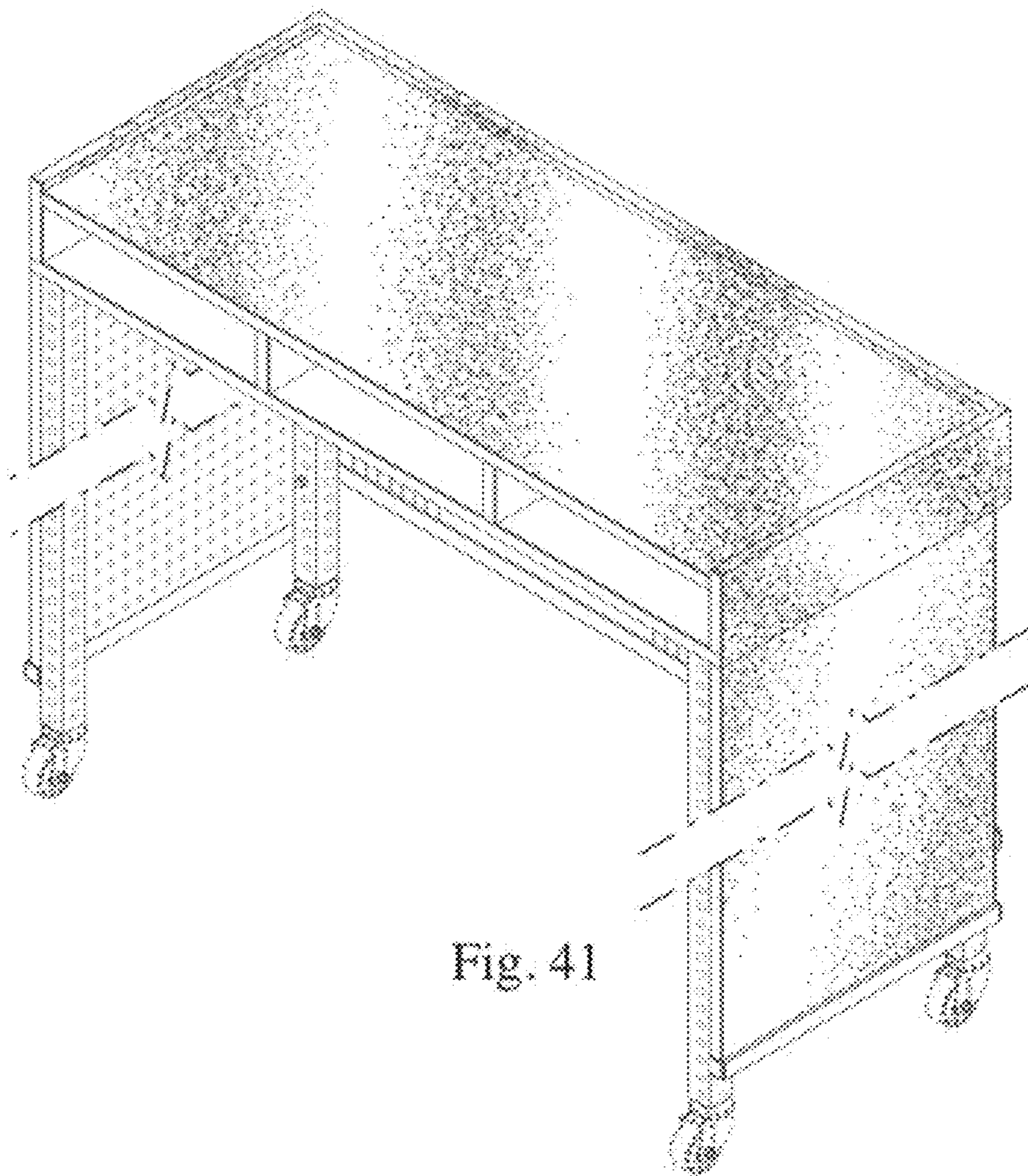


Fig. 41