



US00D972864S

(12) **United States Design Patent**
Kowalski

(10) **Patent No.:** **US D972,864 S**

(45) **Date of Patent:** **** Dec. 20, 2022**

(54) **UNIVERSAL UTILITY RACK**

DESCRIPTION

- (71) Applicant: **Suspenz, Inc.**, Atlanta, GA (US)
- (72) Inventor: **Ian Kowalski**, Roswell, GA (US)
- (73) Assignee: **Suspenz, Inc.**, Atlanta, GA (US)
- (**) Term: **15 Years**
- (21) Appl. No.: **29/744,776**
- (22) Filed: **Jul. 31, 2020**
- (51) **LOC (13) Cl.** **08-08**
- (52) **U.S. Cl.**
USPC **D6/553; D8/373**
- (58) **Field of Classification Search**
USPC D6/553, 563-567, 320-323, 682-683;
D8/370, 373

(Continued)

(56) **References Cited**

U.S. PATENT DOCUMENTS

- D49,989 S * 12/1916 Clemens D8/363
- D233,385 S * 10/1974 Friedman D8/367

(Continued)

OTHER PUBLICATIONS

Extreme Max 3005.3474 available in amazon.com, date first available Nov. 7, 2019 [online], Retrieved on Feb. 1, 2022 from URL: <https://www.amazon.com/Extreme-Max-3006-8435-Rack-Six-Capacity/dp/B07SFBKXQK/> (Year: 2019).*

(Continued)

Primary Examiner — Vy N Koenig
Assistant Examiner — Michelle M Reeves
(74) *Attorney, Agent, or Firm* — Lee & Hayes, P.C.

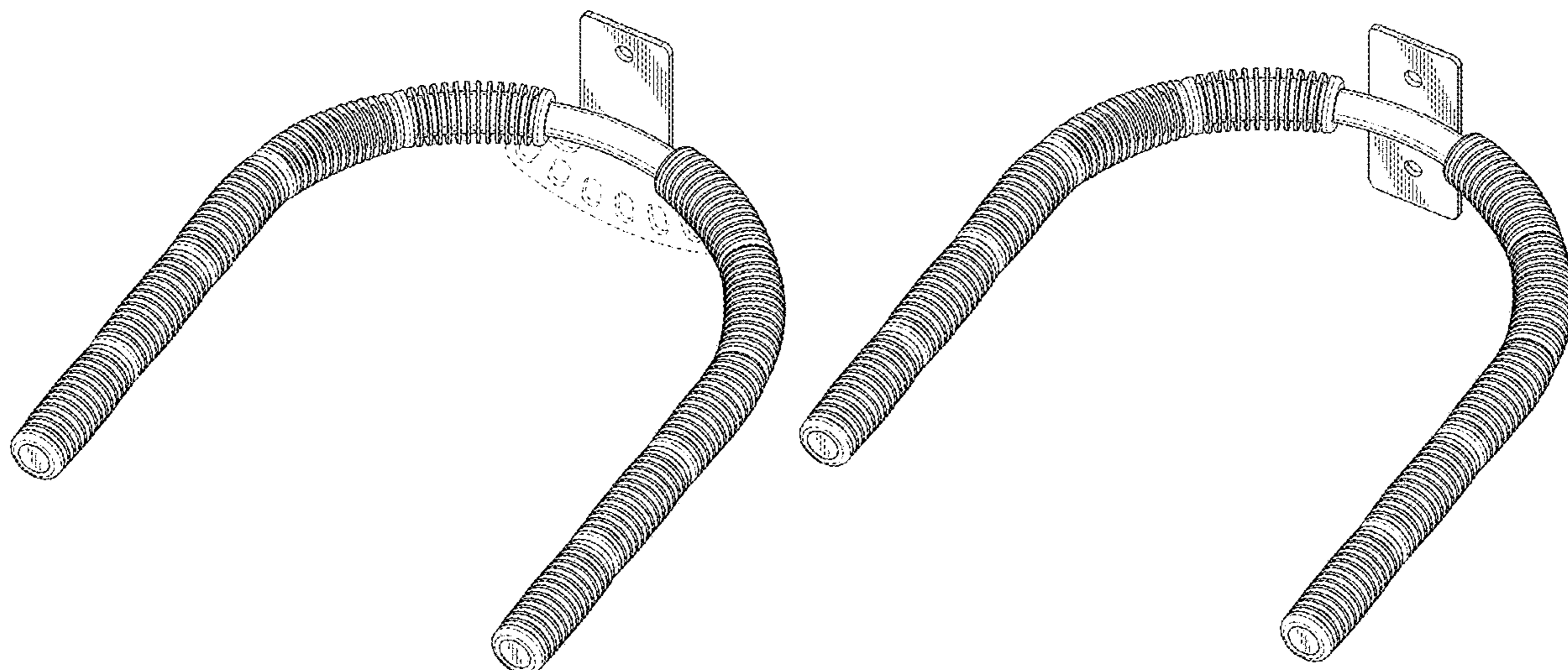
(57) **CLAIM**

The ornamental design for a universal utility rack, substantially as shown and described.

FIG. 1 is a front, perspective view of a first embodiment of a universal utility rack;
 FIG. 2 is a left-side view thereof, the right-side view being a mirror image thereof;
 FIG. 3 is a front view thereof;
 FIG. 4 is a rear view thereof;
 FIG. 5 is a top view thereof;
 FIG. 6 is a bottom view thereof;
 FIG. 7 is a front, perspective view of a second embodiment of a universal utility rack;
 FIG. 8 is a left-side view thereof, the right-side view being a mirror image thereof;
 FIG. 9 is a front view thereof;
 FIG. 10 is a rear view thereof;
 FIG. 11 is a top view thereof;
 FIG. 12 is a bottom view thereof;
 FIG. 13 is a front, perspective view of a third embodiment of a universal utility rack;
 FIG. 14 is a left-side view thereof, the right-side view being a mirror image thereof;
 FIG. 15 is a front view thereof;
 FIG. 16 is a rear view thereof;
 FIG. 17 is a top view thereof;
 FIG. 18 is a bottom view thereof;
 FIG. 19 is a front, perspective view of a fourth embodiment of a universal utility rack;
 FIG. 20 is a left-side view thereof, the right-side view being a mirror image thereof;
 FIG. 21 is a front view thereof;
 FIG. 22 is a rear view thereof;
 FIG. 23 is a top view thereof; and
 FIG. 24 is a bottom view thereof.

The broken lines in the drawings are for the purpose of illustrating portions of the universal utility rack.
 The Applicant reserves the right to: 1) convert some or all of the broken lines to solid lines; and/or 2) convert selected solid lines to broken lines during the course of prosecution and/or in one or more continuation applications, since the figures convey that the inventors had possession of the solid line features and the broken line features as of the date of filing.

1 Claim, 16 Drawing Sheets



(58) **Field of Classification Search**

CPC A47F 5/00; A47G 25/00; G10G 5/00
See application file for complete search history.

(56) **References Cited**

U.S. PATENT DOCUMENTS

D255,646 S * 7/1980 Fischer D8/372
D283,786 S * 5/1986 Chap D8/372
D344,868 S * 3/1994 Martinell D6/552
5,372,346 A * 12/1994 Upchurch F16B 21/04
D6/567
7,611,108 B2 * 11/2009 De Backer A47K 17/022
248/304
D608,386 S * 1/2010 Wright D17/20
D609,940 S * 2/2010 Samu D8/373
D727,656 S * 4/2015 Lim D8/373
D732,300 S * 6/2015 Urbanski D8/372
D937,616 S * 12/2021 Tang D6/682.5
D937,617 S * 12/2021 Tang D6/682.5

OTHER PUBLICATIONS

Paddle Racks, available in Amazon.ca, date first available Mar. 20, 2019 [online], Retrieved on Feb. 1, 2022 from URL: <https://www.amazon.ca/Onefeng-Sports-Paddle-Racks-Kayak/dp/B07JVHHL75?th=1> (Year: 2019).*

* cited by examiner

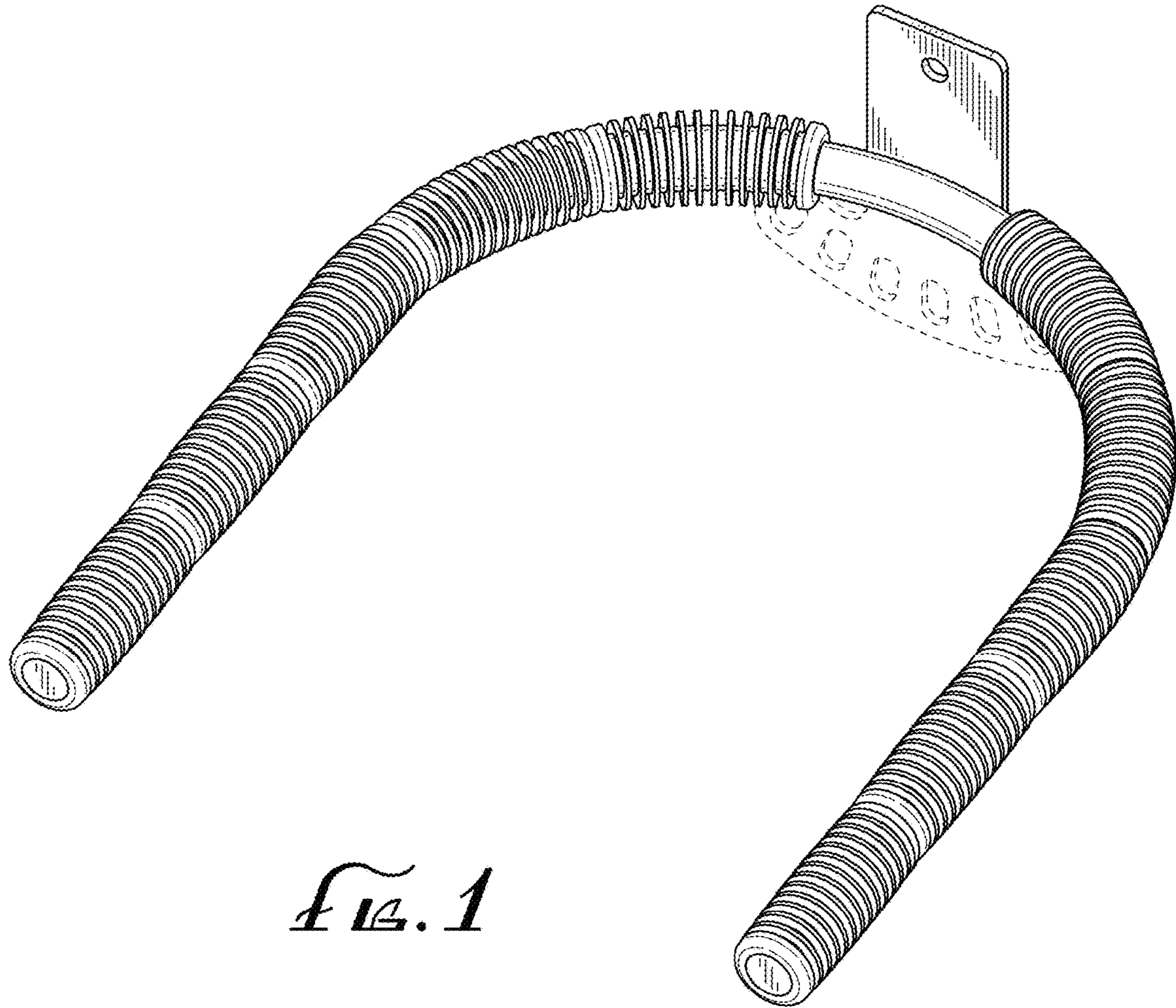


FIG. 1

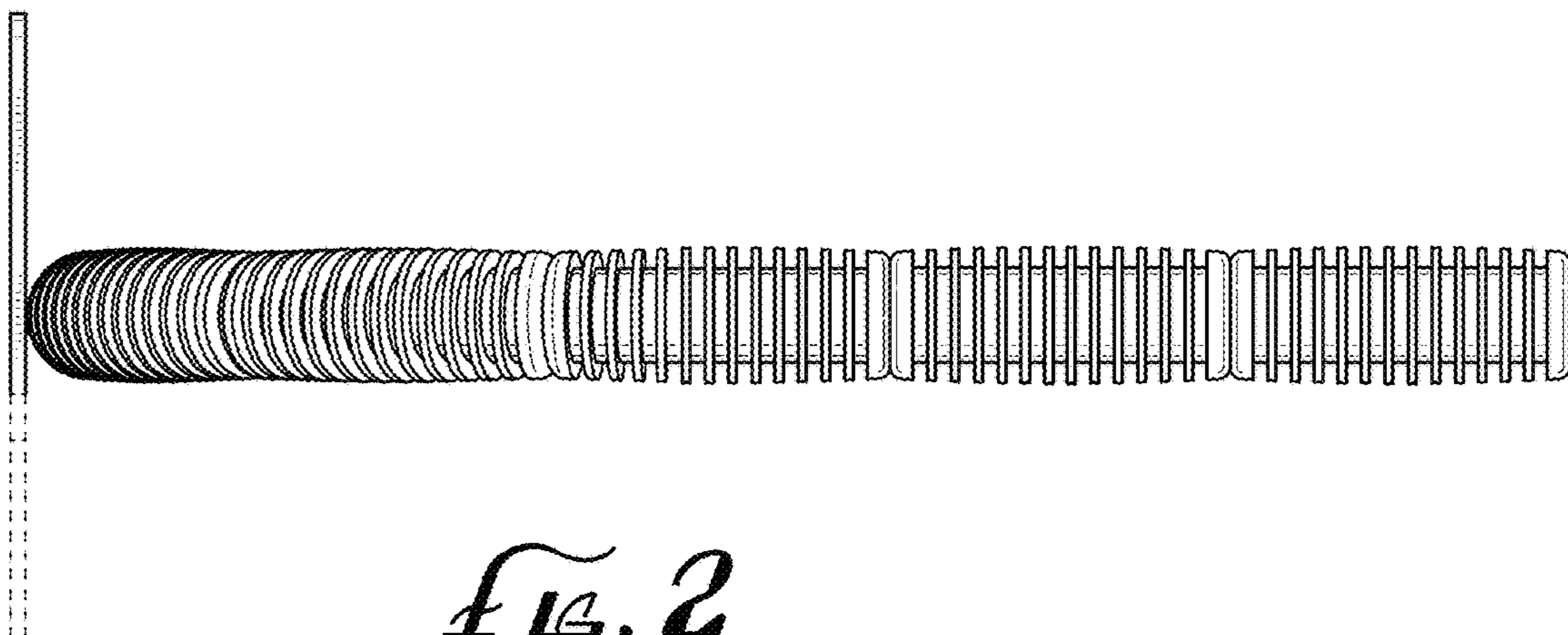


FIG. 2

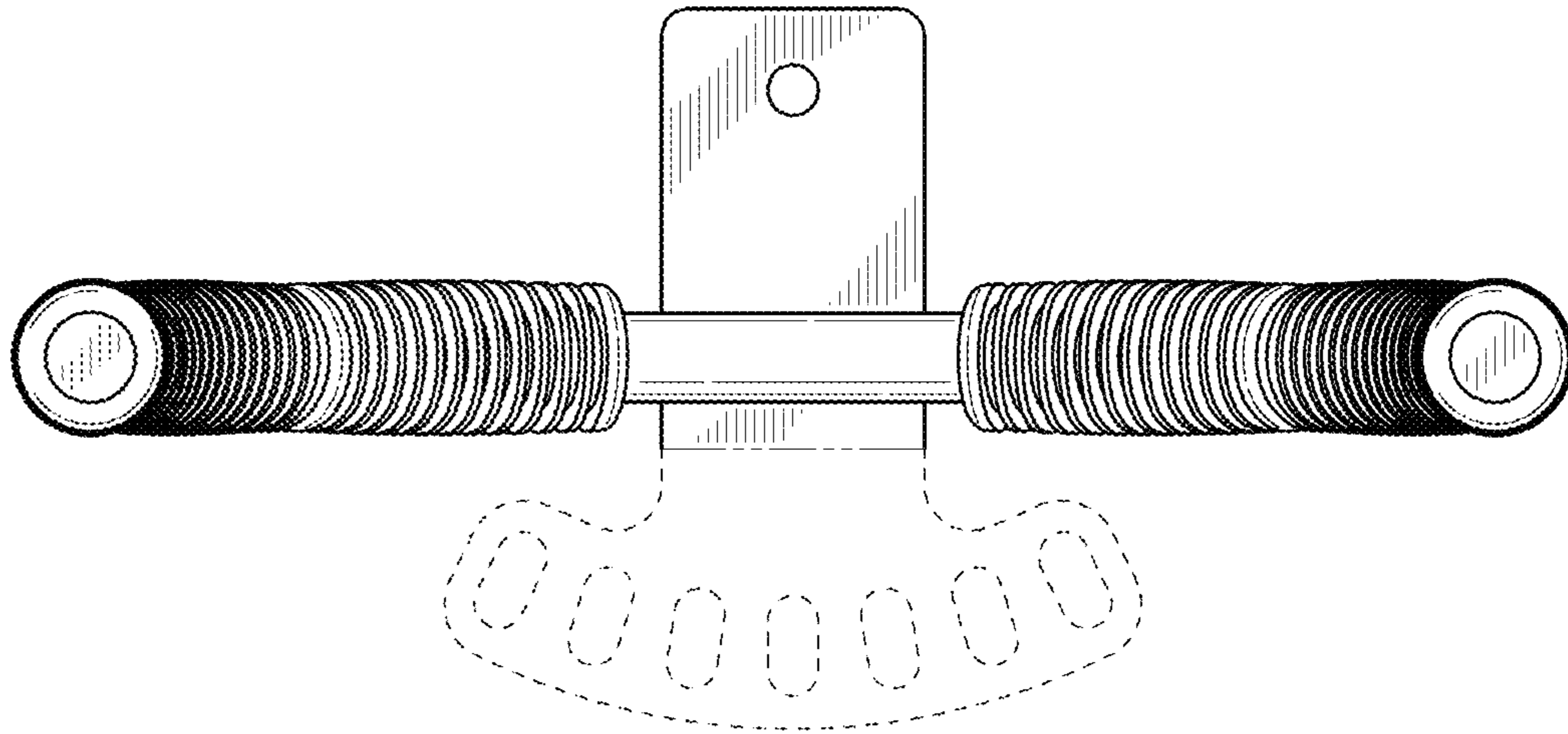


FIG. 3

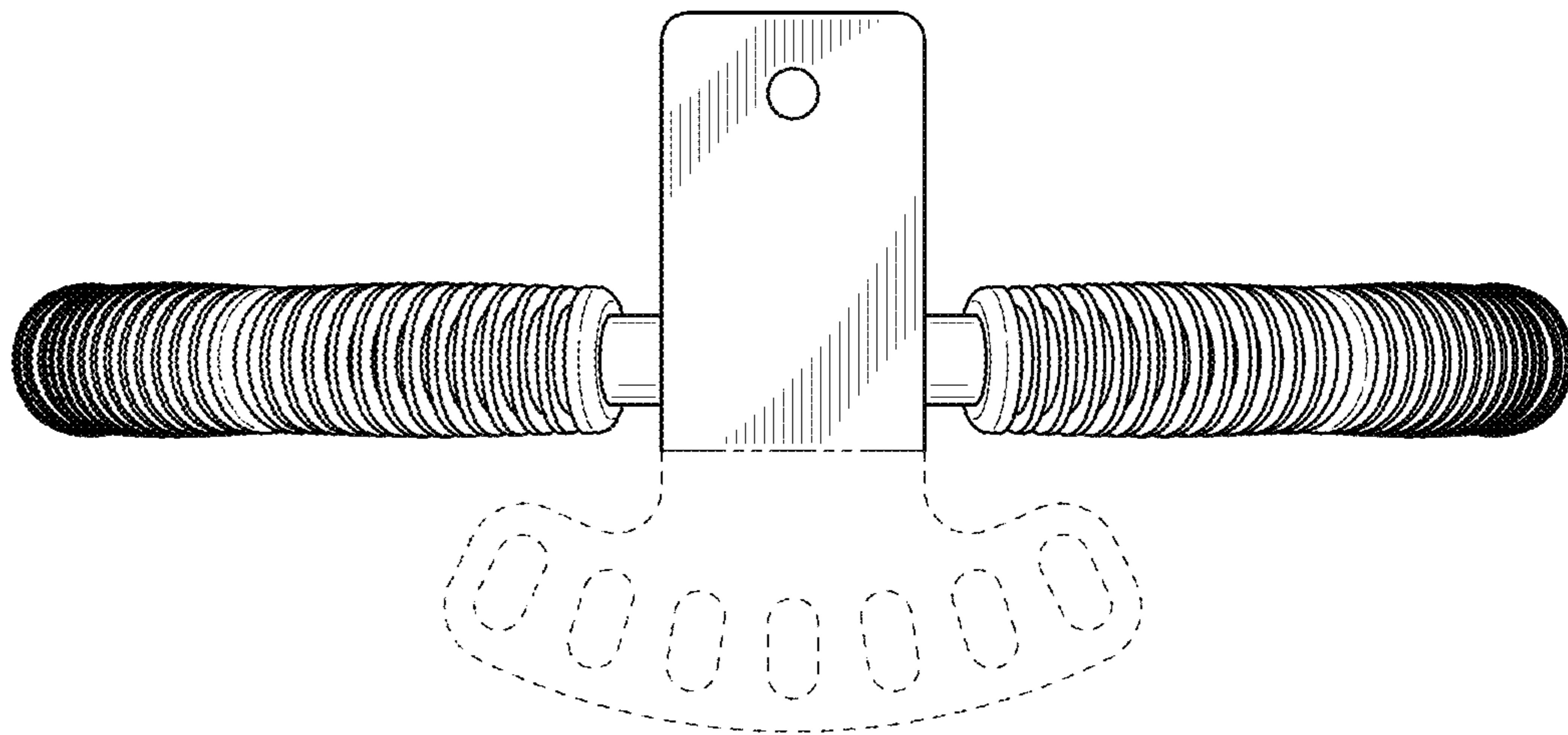


FIG. 4

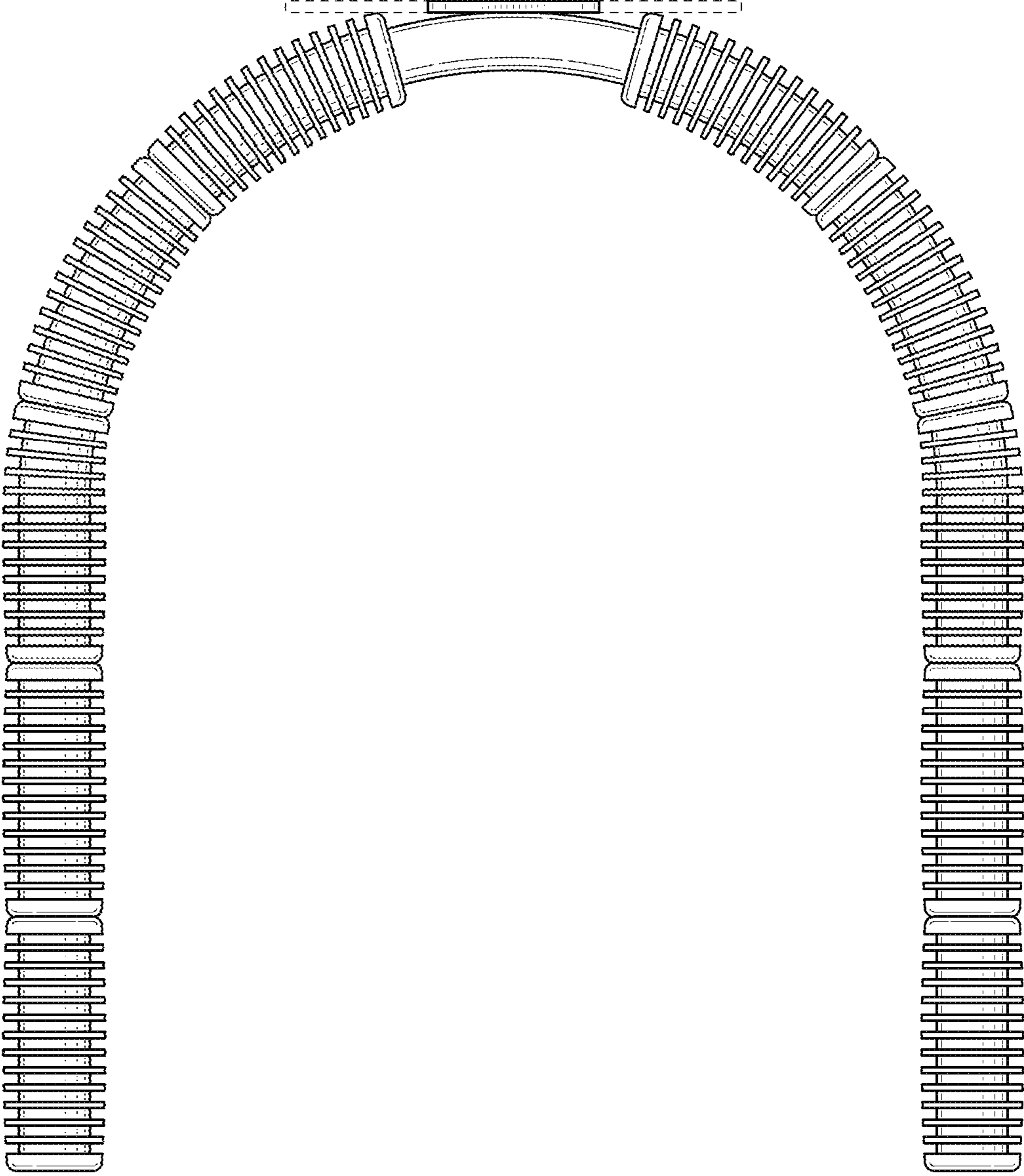


FIG. 5

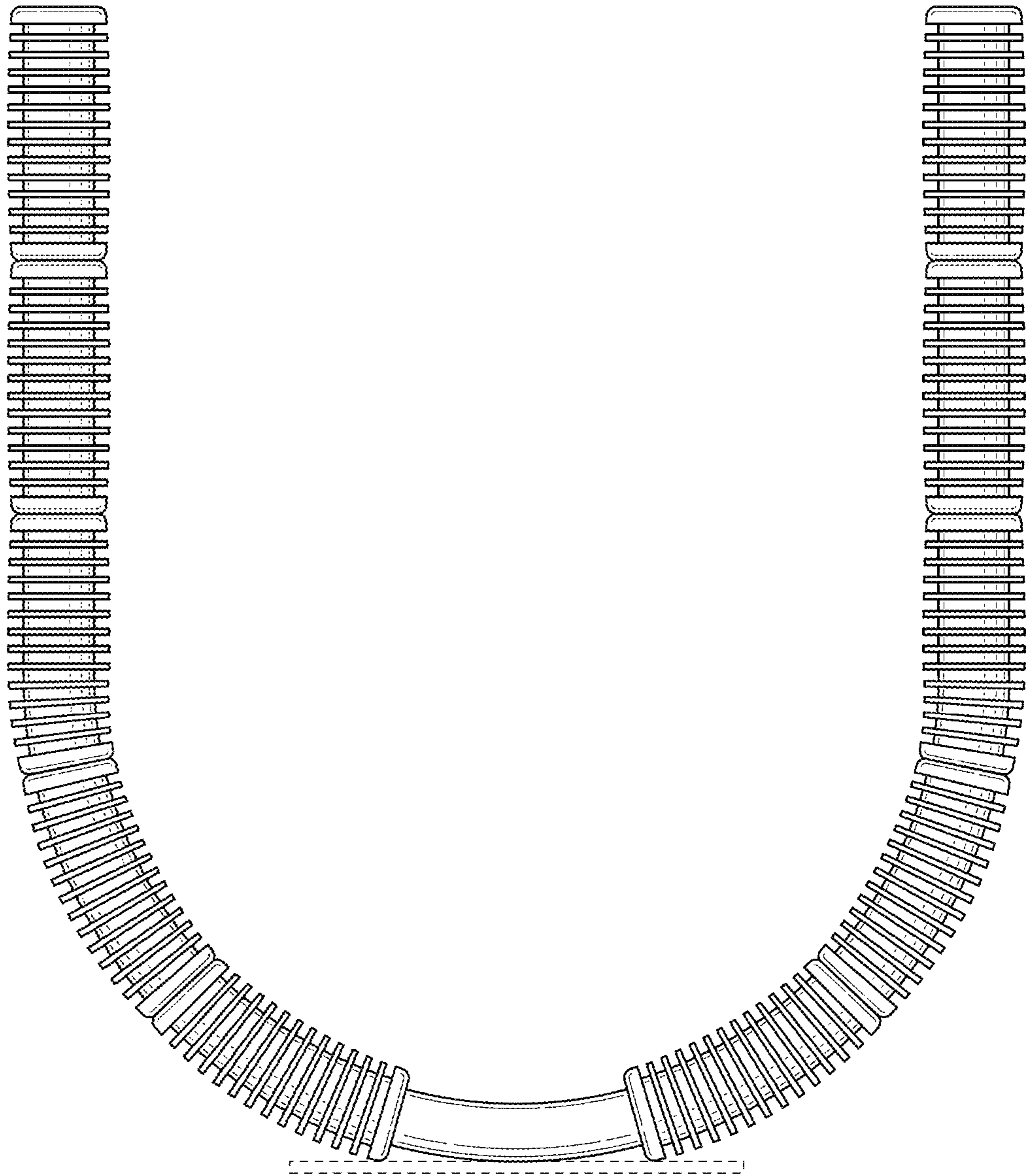


FIG. 6

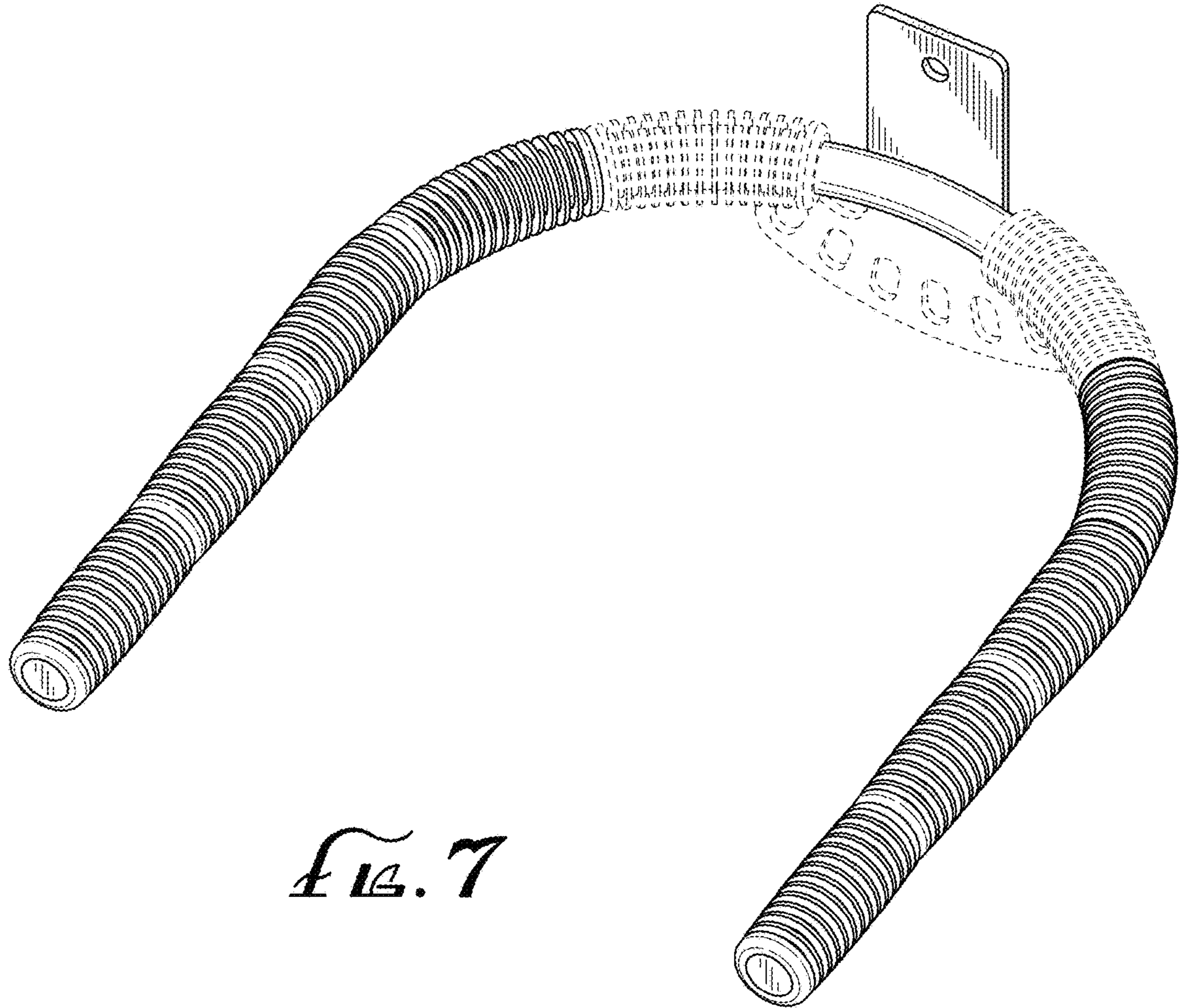


FIG. 7

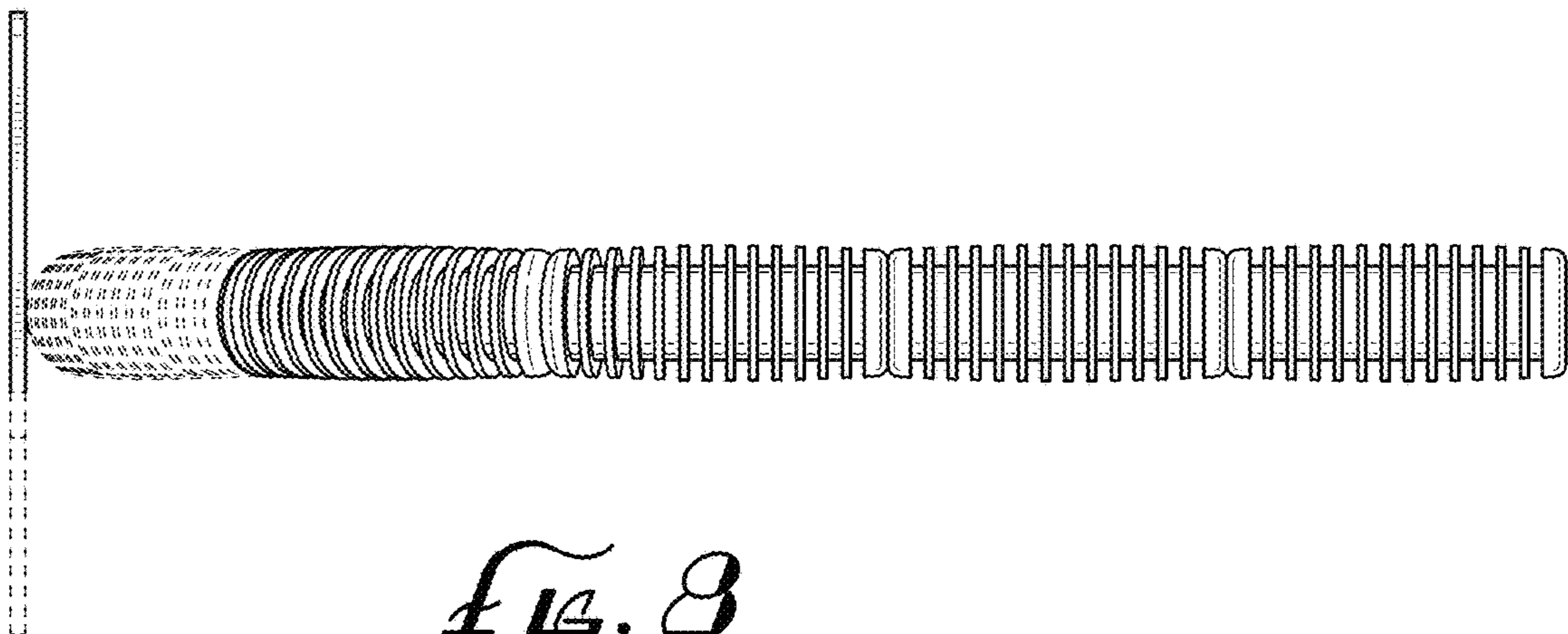


FIG. 8

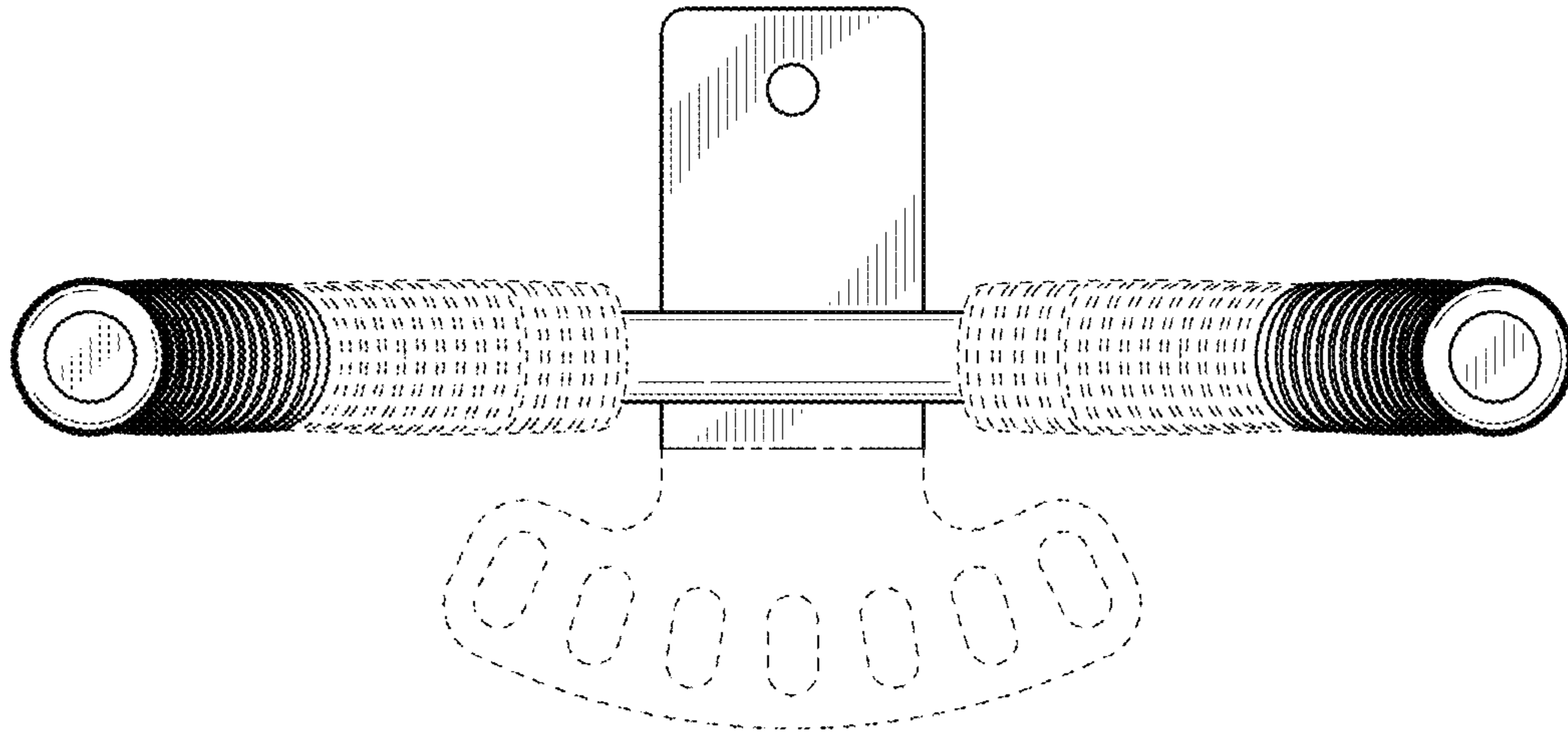


FIG. 9

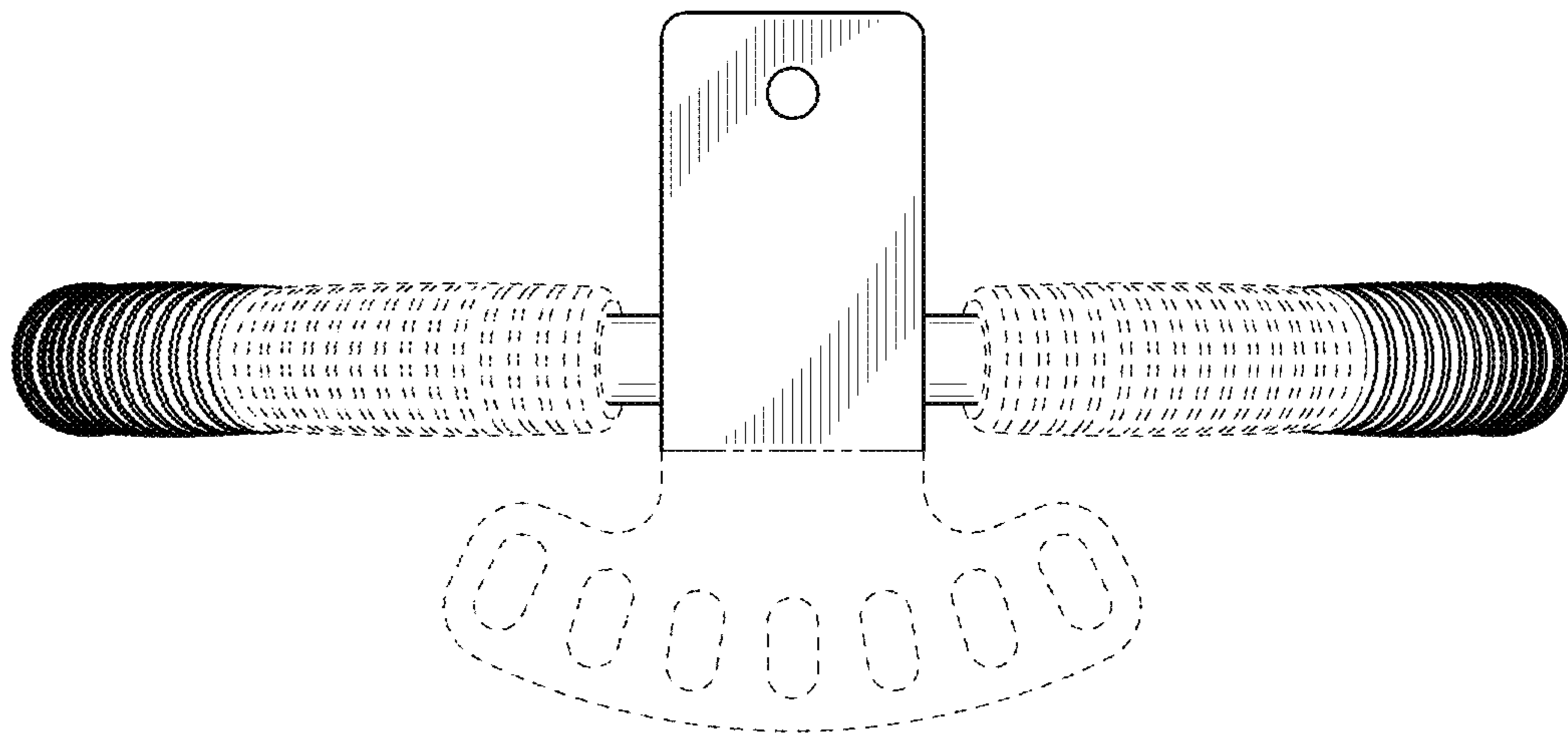


FIG. 10

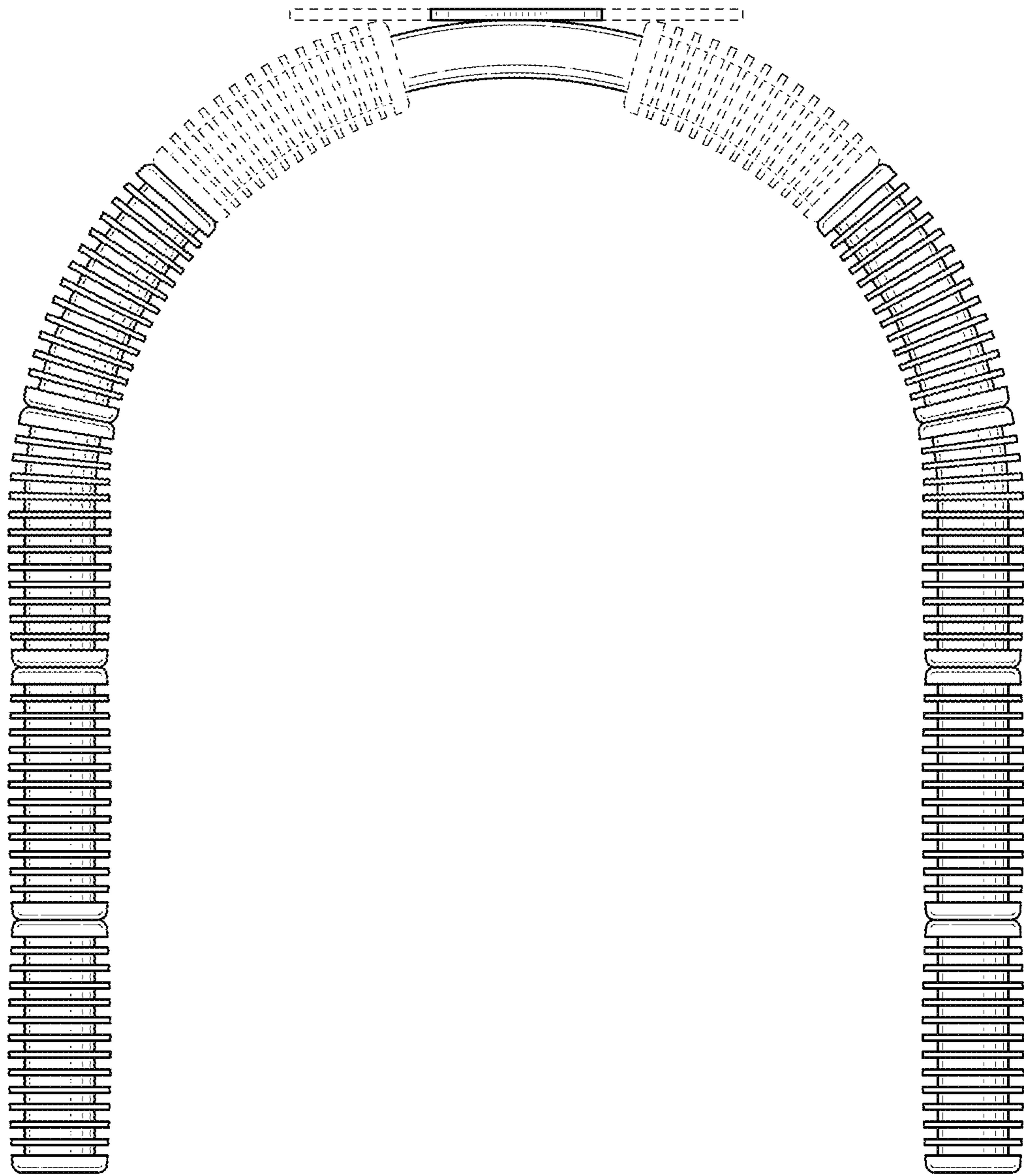


FIG. 11

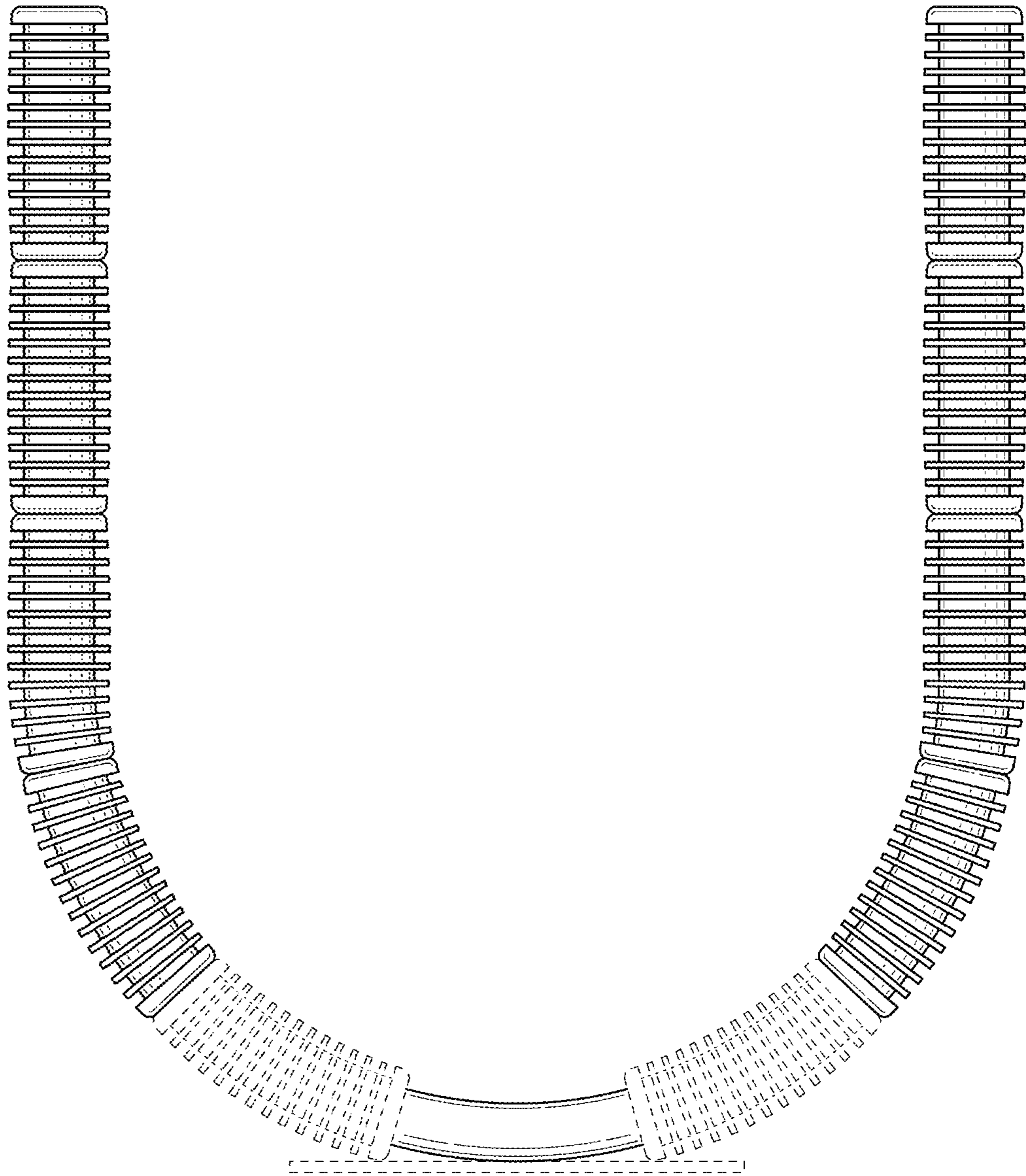


FIG. 12

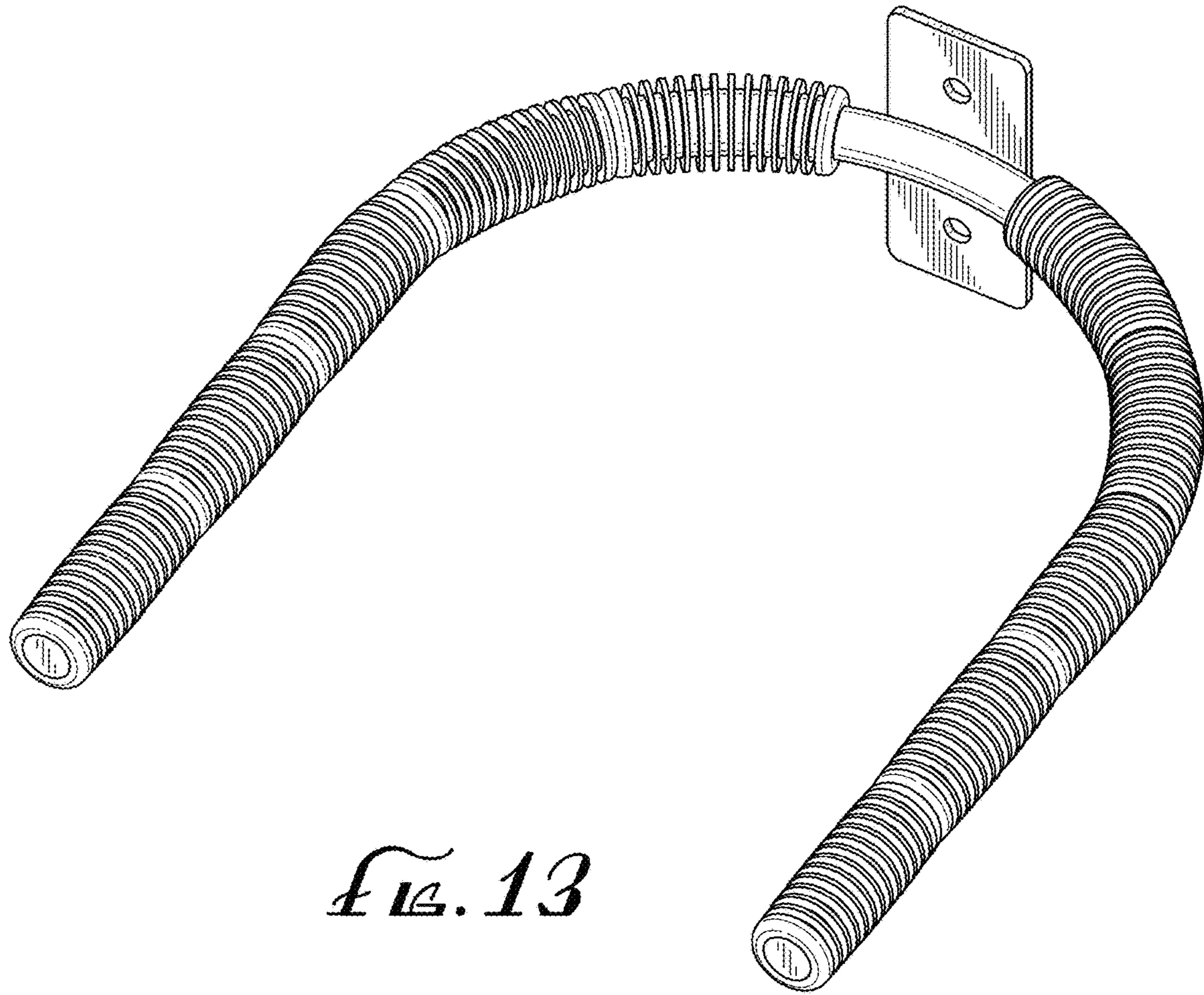


FIG. 13

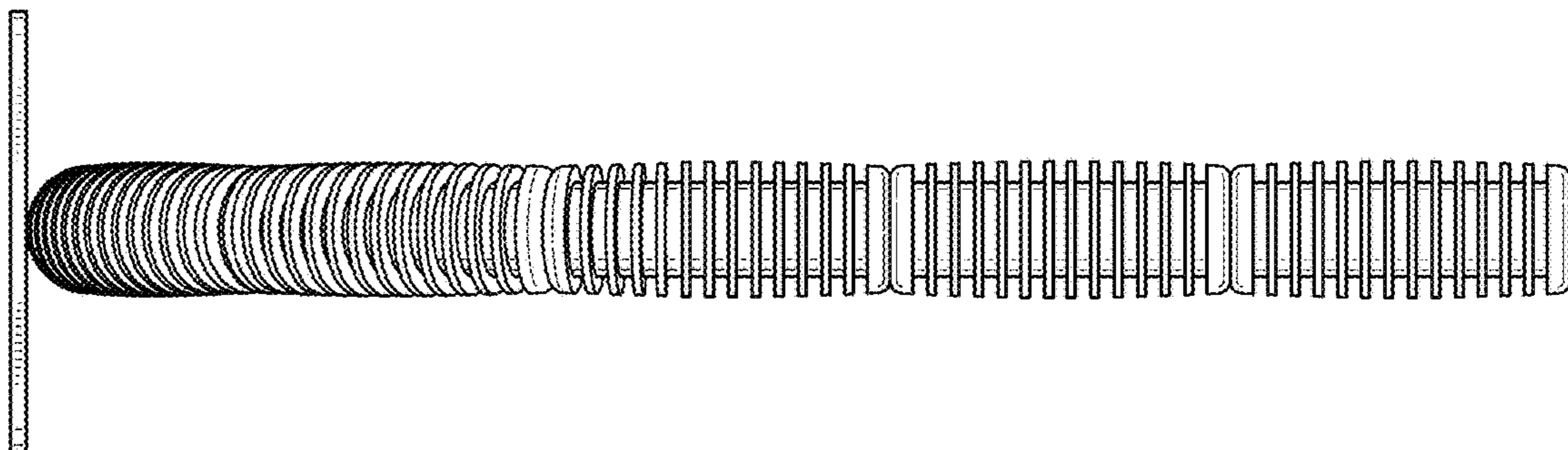


FIG. 14

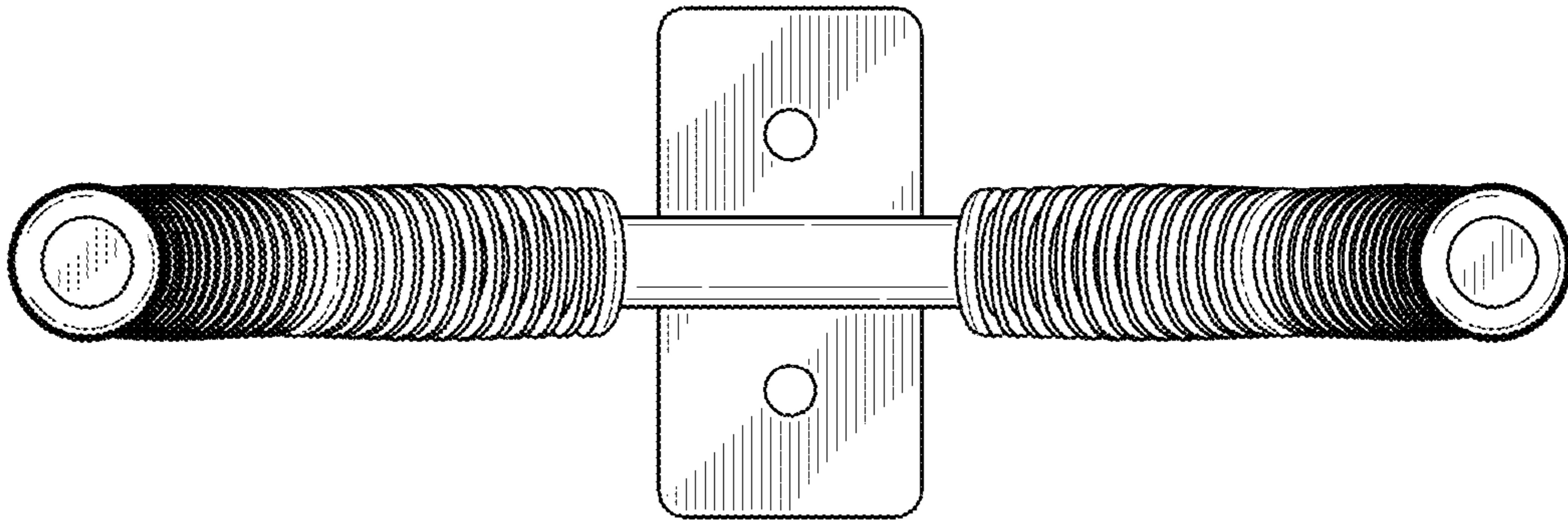


FIG. 15

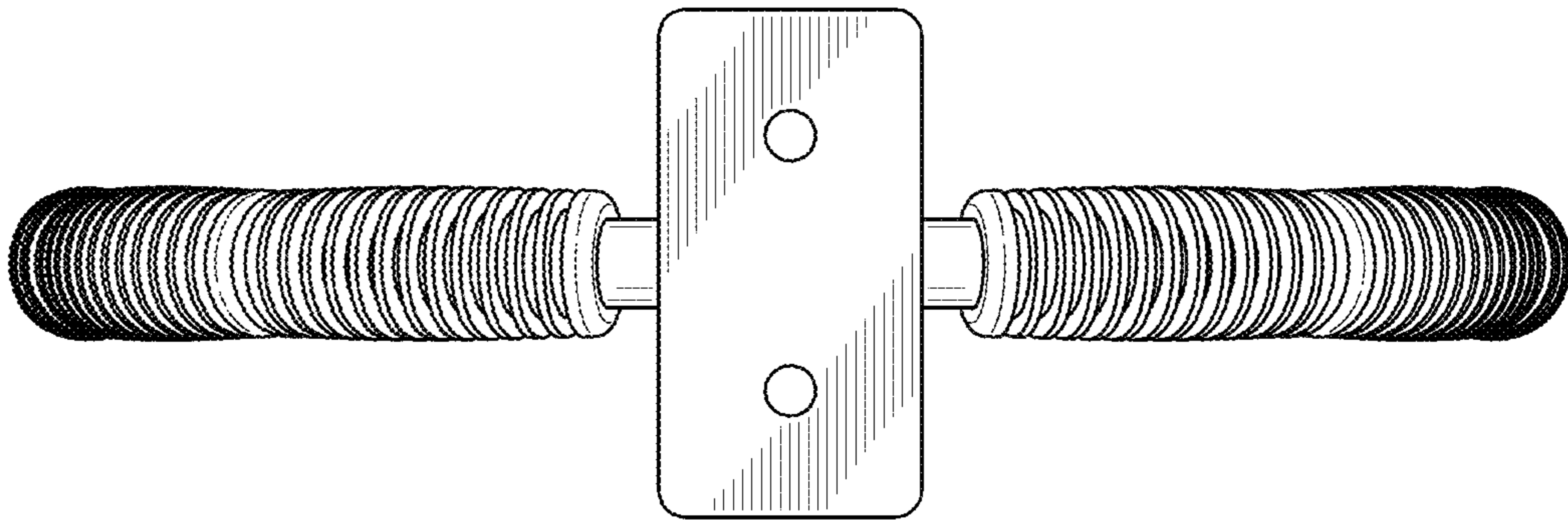


FIG. 16

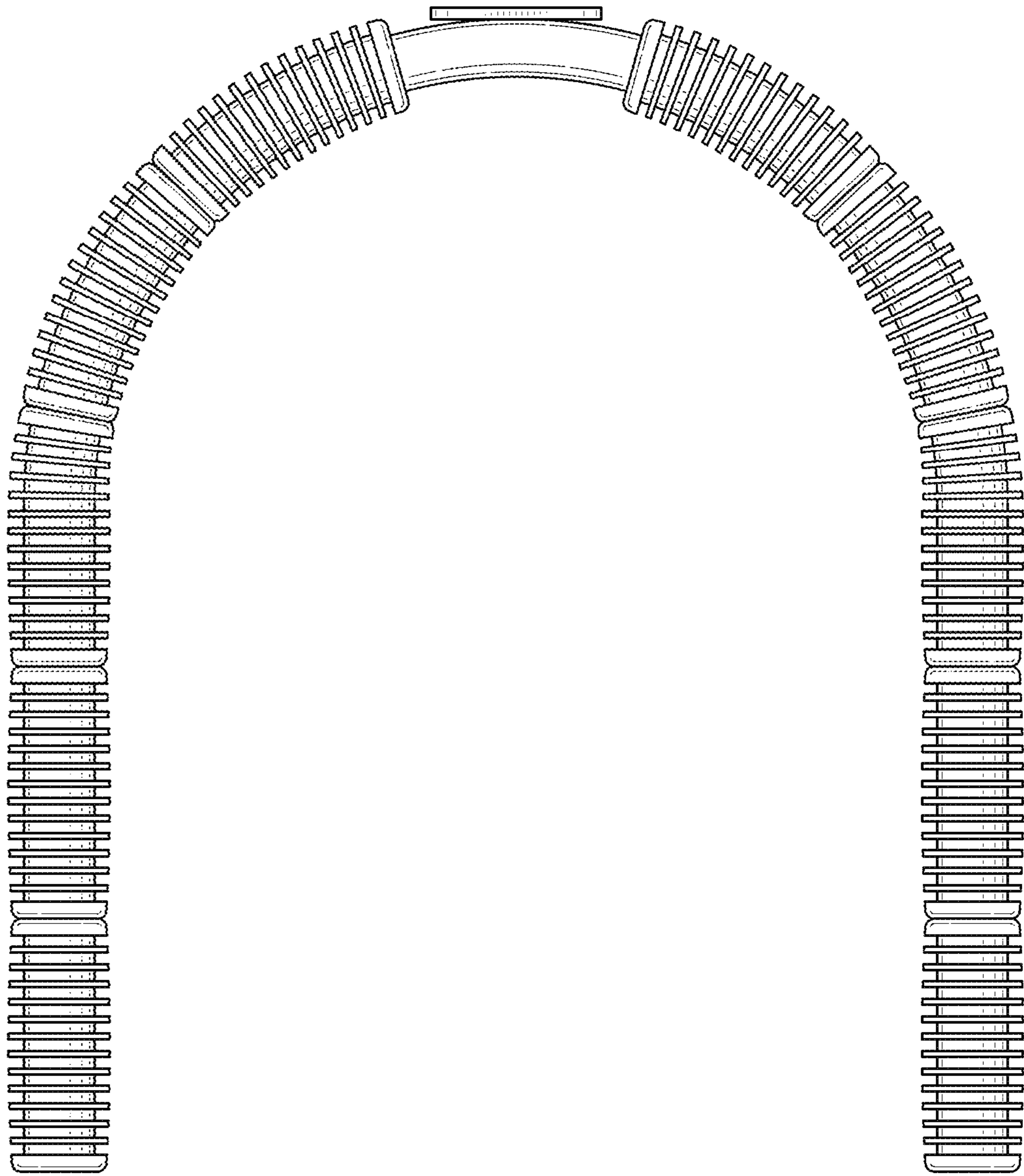


Fig. 17

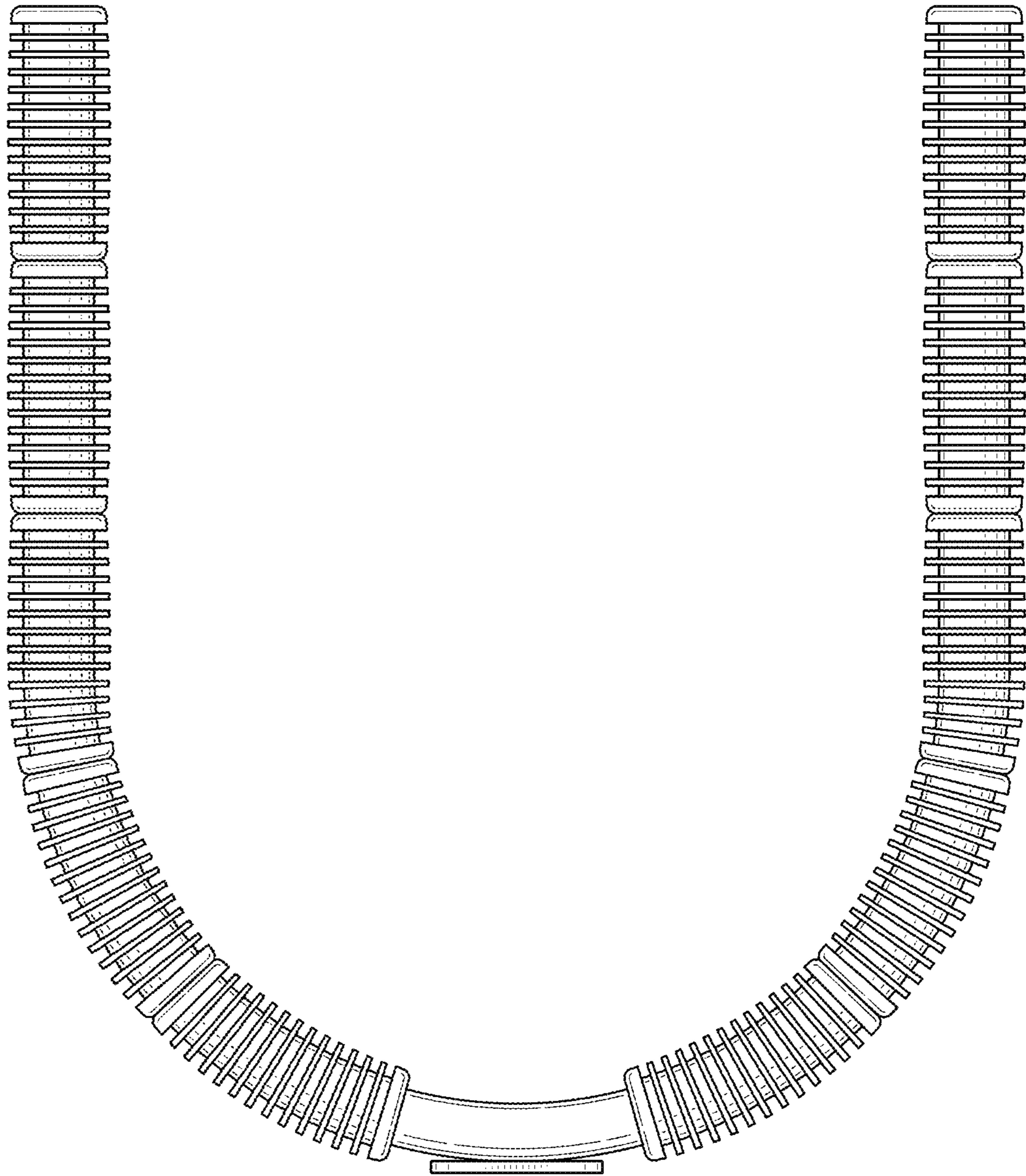


FIG. 18

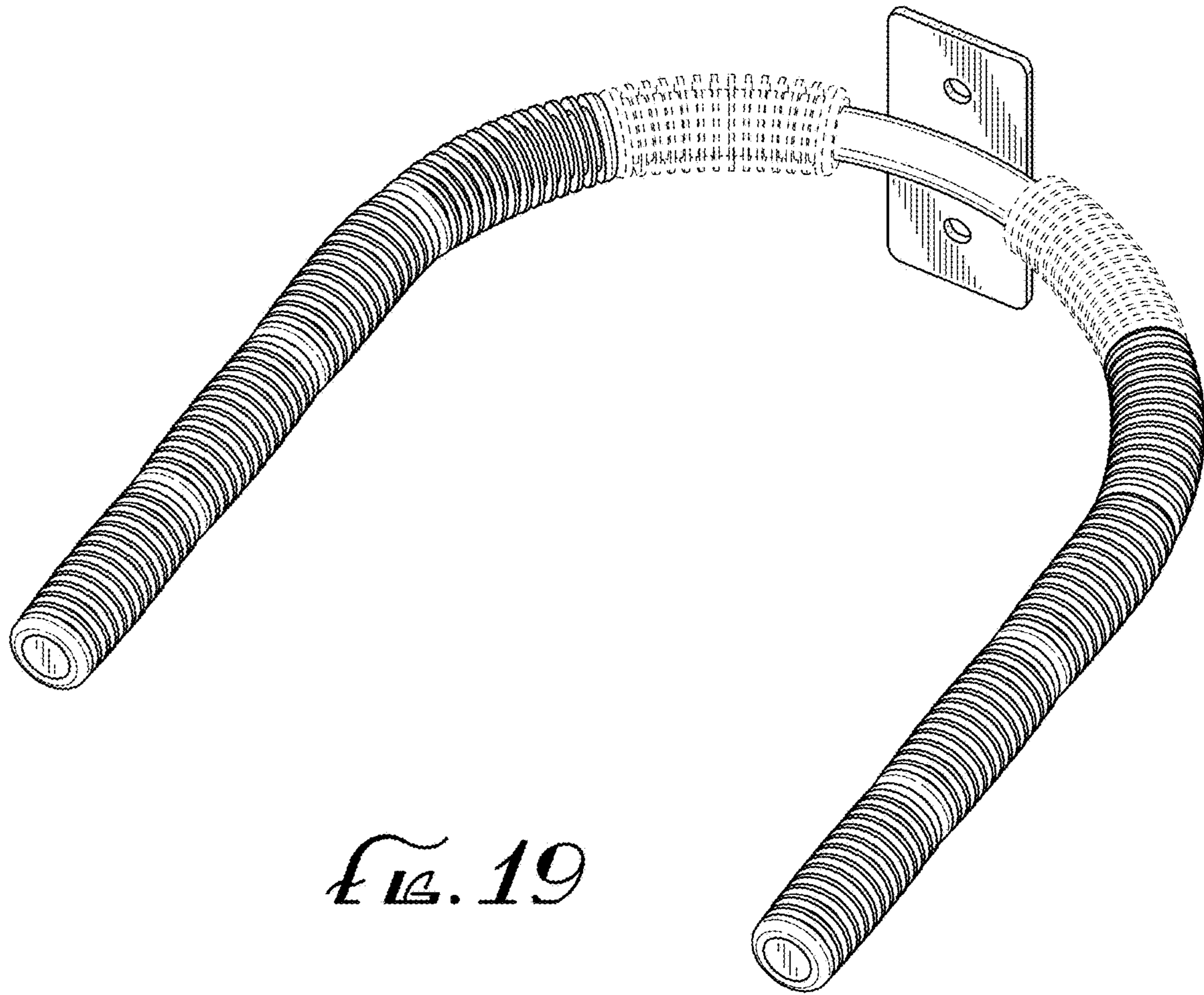


FIG. 19

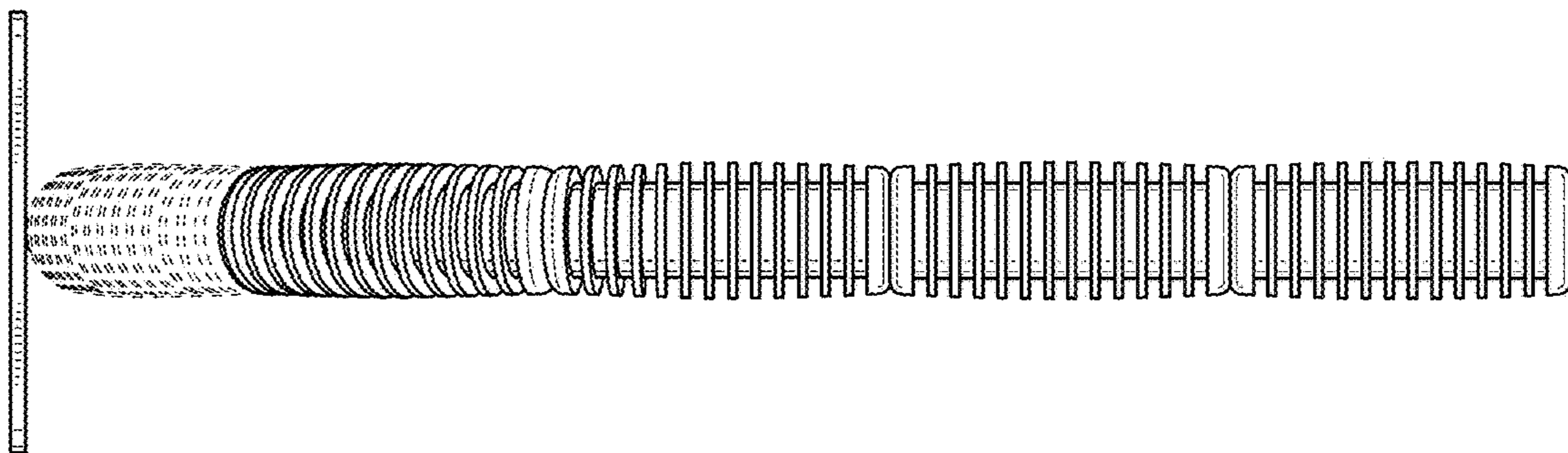


FIG. 20

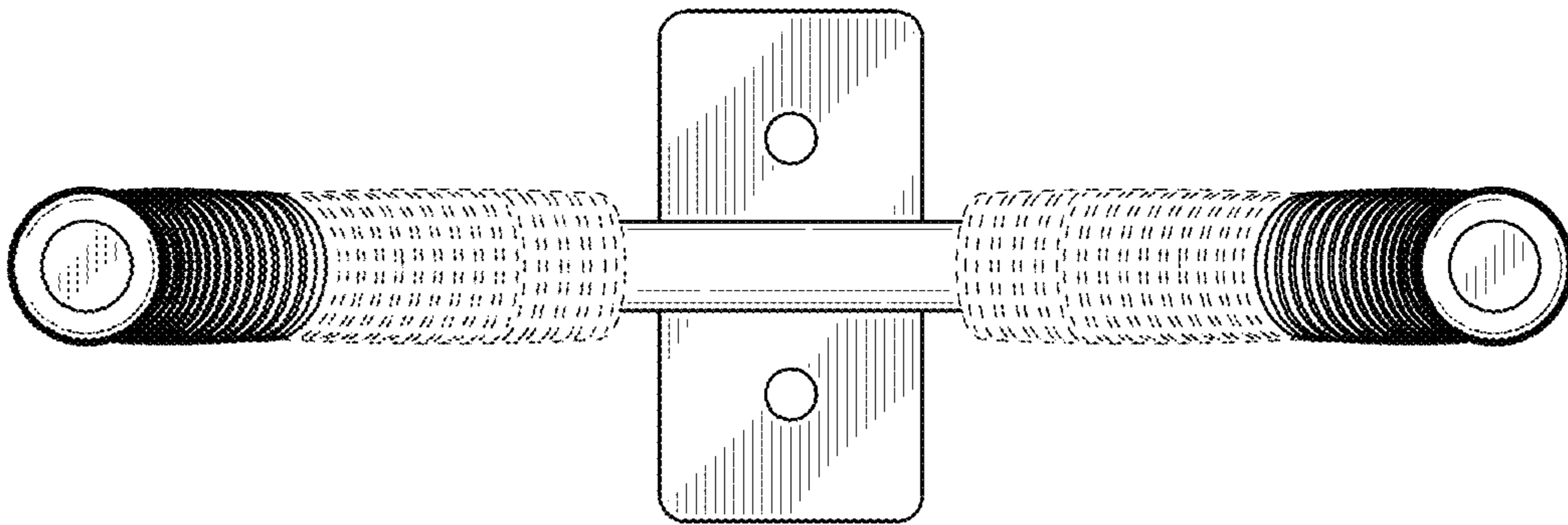


FIG. 21

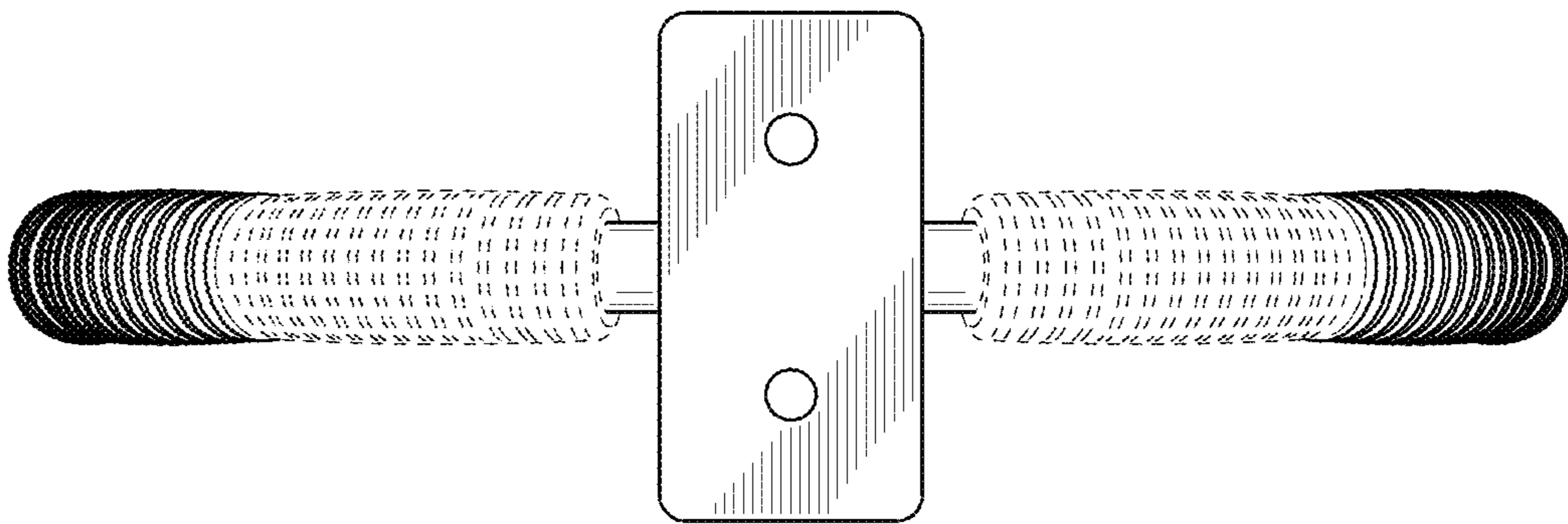


FIG. 22

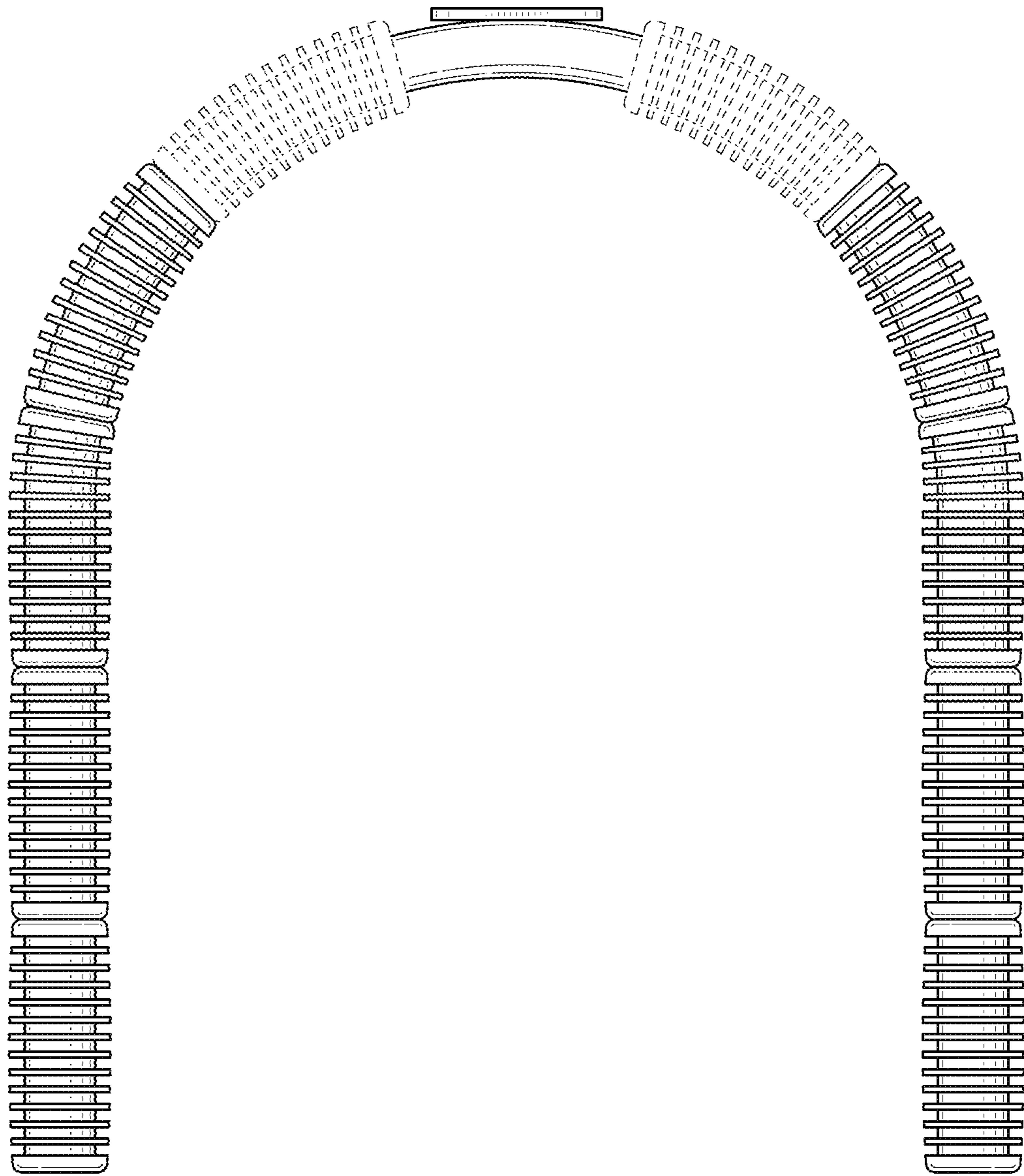


FIG. 23

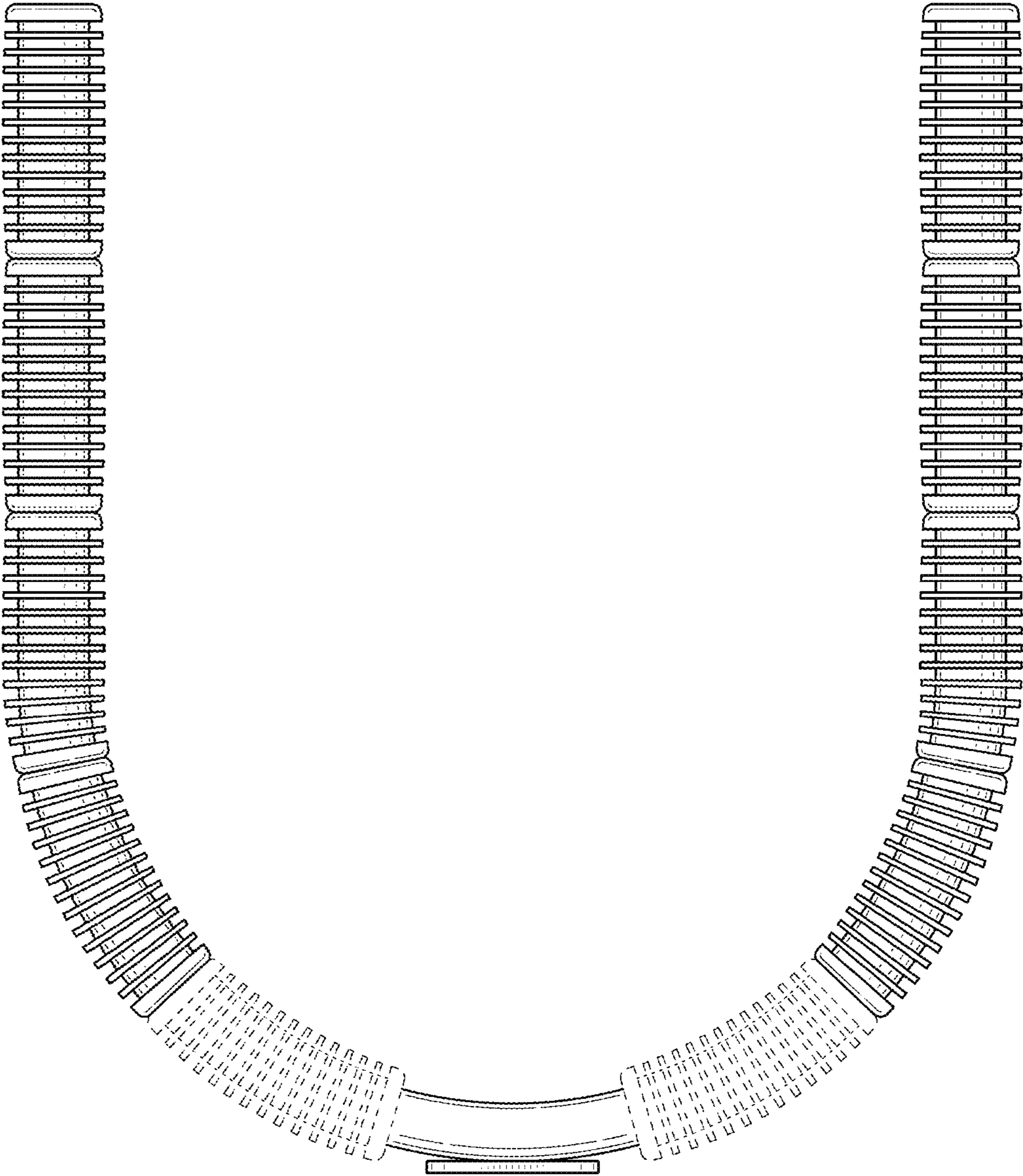


FIG. 24