



US00D972863S

(12) **United States Design Patent** (10) **Patent No.:** **US D972,863 S**
Olsen et al. (45) **Date of Patent:** **** Dec. 20, 2022**

(54) **DISPENSER**
(71) Applicant: **Vaask LLC**, Austin, TX (US)
(72) Inventors: **Jonathan W. W. Olsen**, Austin, TX (US); **Grace V. Tesmer**, Dublin, OH (US); **Shawn M. Whetstone**, New Albany, OH (US)
(73) Assignee: **VAASK LLC**, Austin, TX (US)
(**) Term: **15 Years**
(21) Appl. No.: **29/813,513**
(22) Filed: **Oct. 29, 2021**
(51) **LOC (13) Cl.** **23-02**
(52) **U.S. Cl.**
USPC **D6/545**
(58) **Field of Classification Search**
USPC D6/515, 522, 542, 512, 518, 520, 524, D6/543, 544, 545; 206/233, 389, 401, 206/77.1, 581, 225, 229; 211/45, 48, 211/88.04, 119.009, 85.12; 221/26, 208, 221/282, 283
CPC A61L 2/16; A61L 2202/14; A61L 2202/15
See application file for complete search history.

8,292,128 B2 10/2012 Hagleitner
D760,560 S * 7/2016 Chosovich D7/701
9,532,683 B2 1/2017 Hagleitner
D889,909 S * 7/2020 Chapman D7/701
10,736,824 B2 8/2020 Matthews et al.
D922,825 S * 6/2021 Jarratt D7/551.3
2005/0139612 A1 6/2005 Matthews et al.

OTHER PUBLICATIONS

Design U.S. Appl. No. 29/808,191, entitled, "Dispenser," filed Sep. 17, 2021.

* cited by examiner

Primary Examiner — Nathan M Johnston

(74) *Attorney, Agent, or Firm* — Frost Brown Todd LLC

(57) **CLAIM**

The ornamental design for a dispenser, as shown and described.

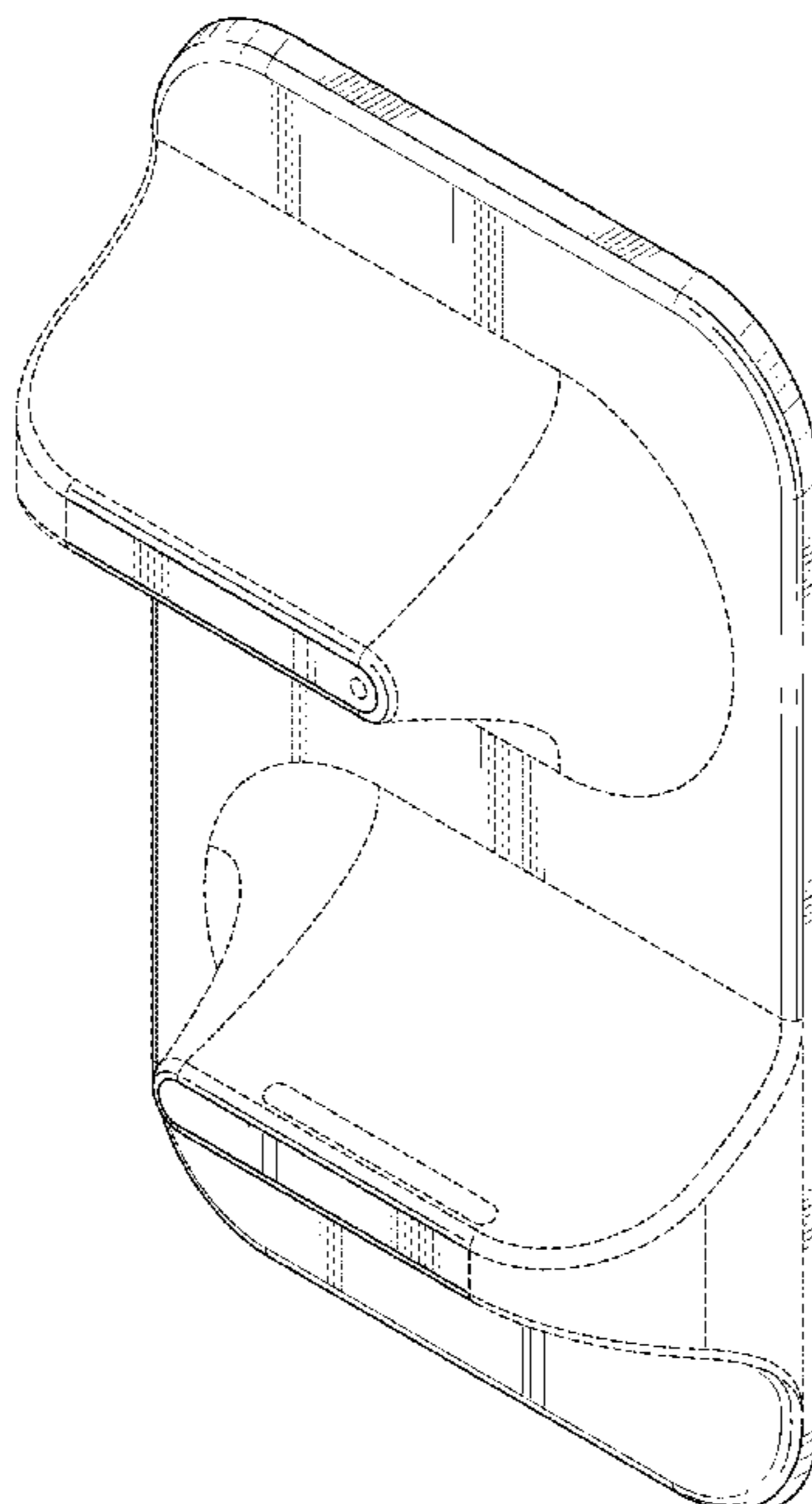
DESCRIPTION

FIG. 1 is a front right perspective view of a dispenser, showing our new design;
FIG. 2 is a front left perspective view of the dispenser of FIG. 1;
FIG. 3 is a front elevational view of the dispenser of FIG. 1;
FIG. 4 is a rear elevational view of the dispenser of FIG. 1;
FIG. 5 is a right elevational view of the dispenser of FIG. 1;
FIG. 6 is a left elevational view of the dispenser of FIG. 1;
FIG. 7 is a top plan view of the dispenser of FIG. 1; and,
FIG. 8 is a bottom plan view of the dispenser of FIG. 1.
The broken lines shown in the drawings represent features of the dispenser that form no part of the claimed design.

1 Claim, 6 Drawing Sheets

(56) **References Cited**
U.S. PATENT DOCUMENTS

D259,010 S * 4/1981 Klatt D7/359
D275,256 S * 8/1984 Gilliam D7/504
D279,851 S * 7/1985 Willis D6/682.3
D300,707 S * 4/1989 Walmesley D7/504
D328,406 S * 8/1992 Hammond D7/553.6
5,906,299 A 5/1999 Hagleitner
D446,092 S * 8/2001 Cautereels D7/701
D489,938 S * 5/2004 Vipond D7/504
8,087,543 B2 1/2012 Yang et al.



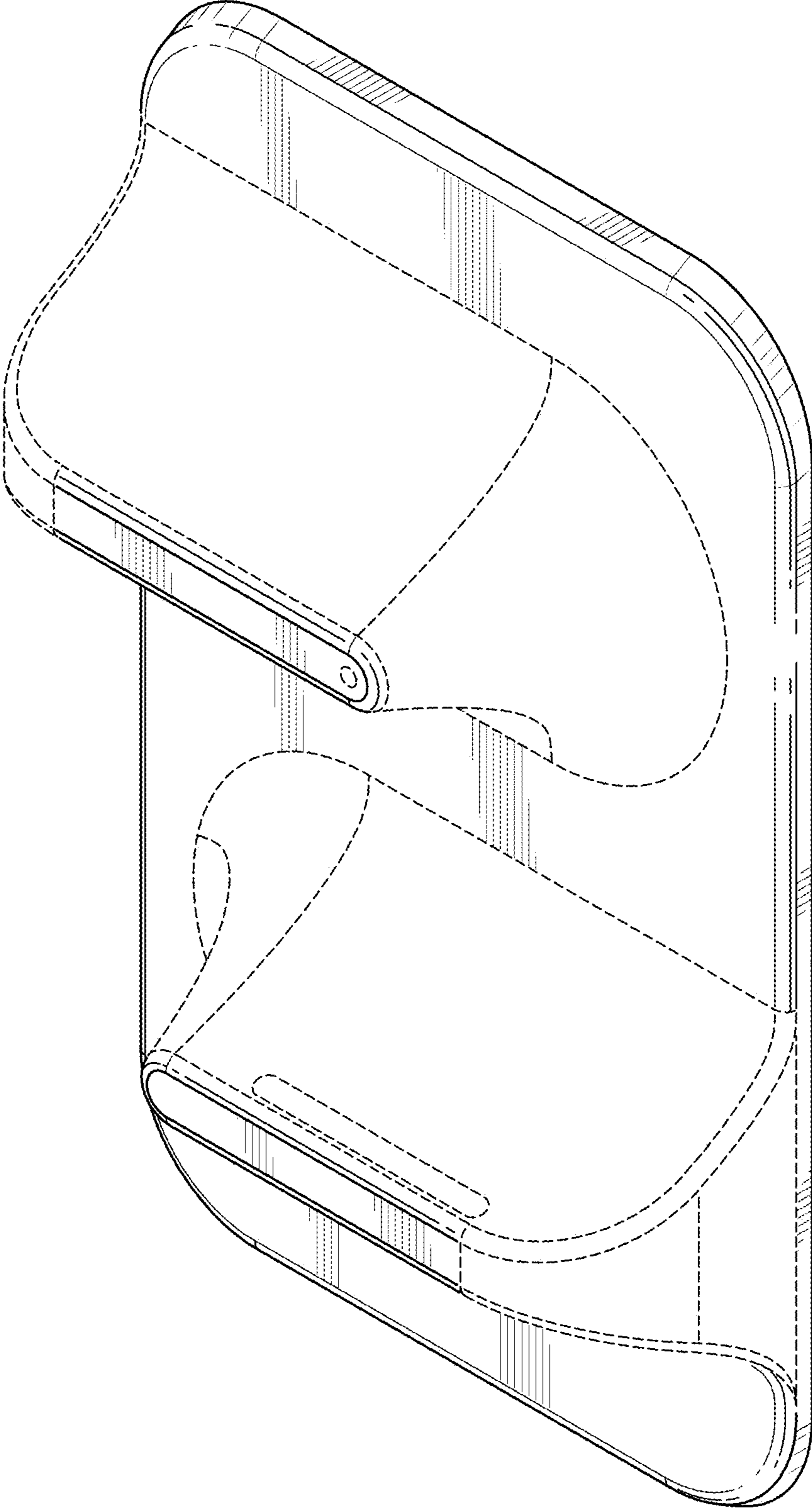


FIG. 1

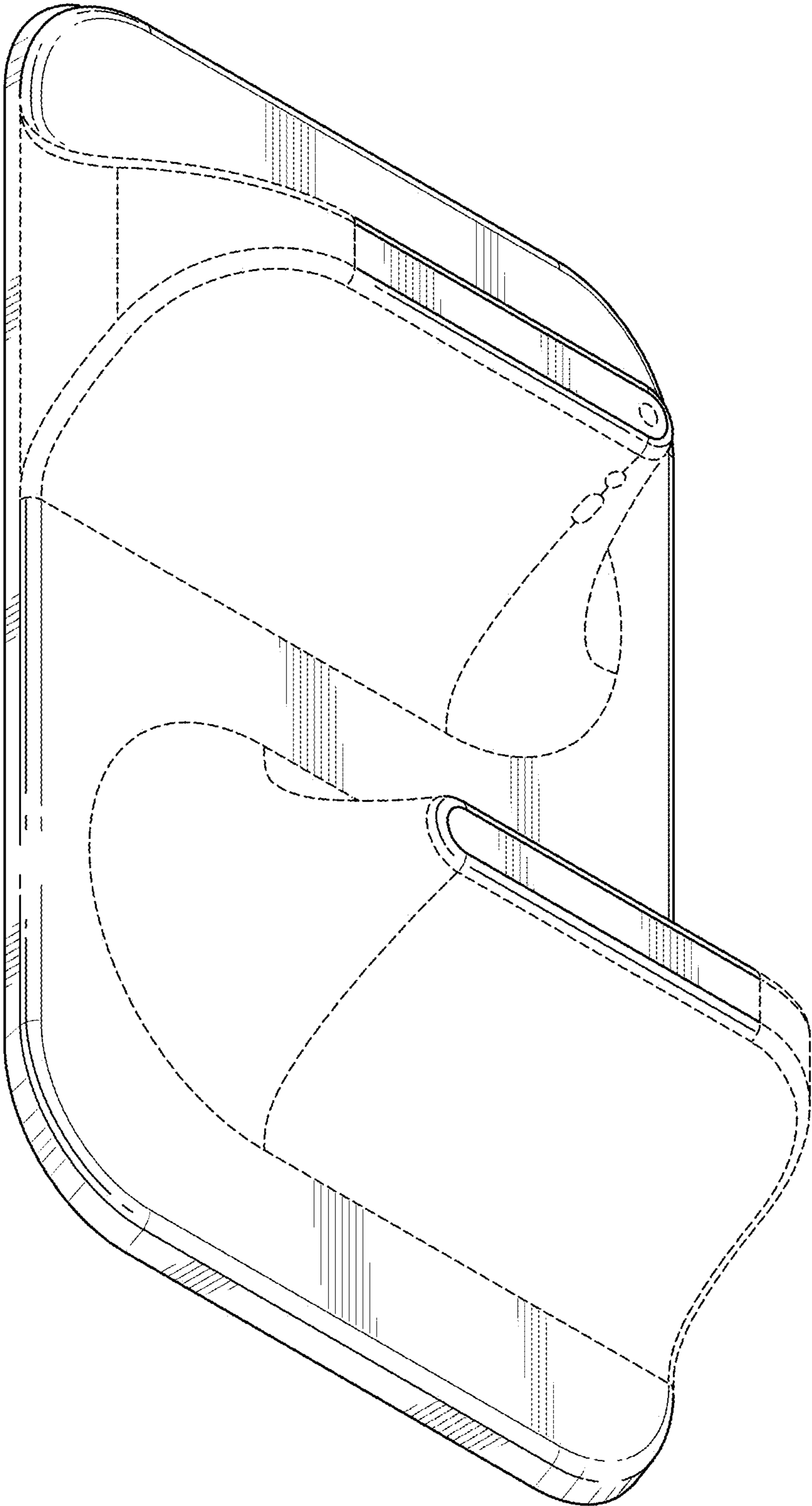


FIG. 2

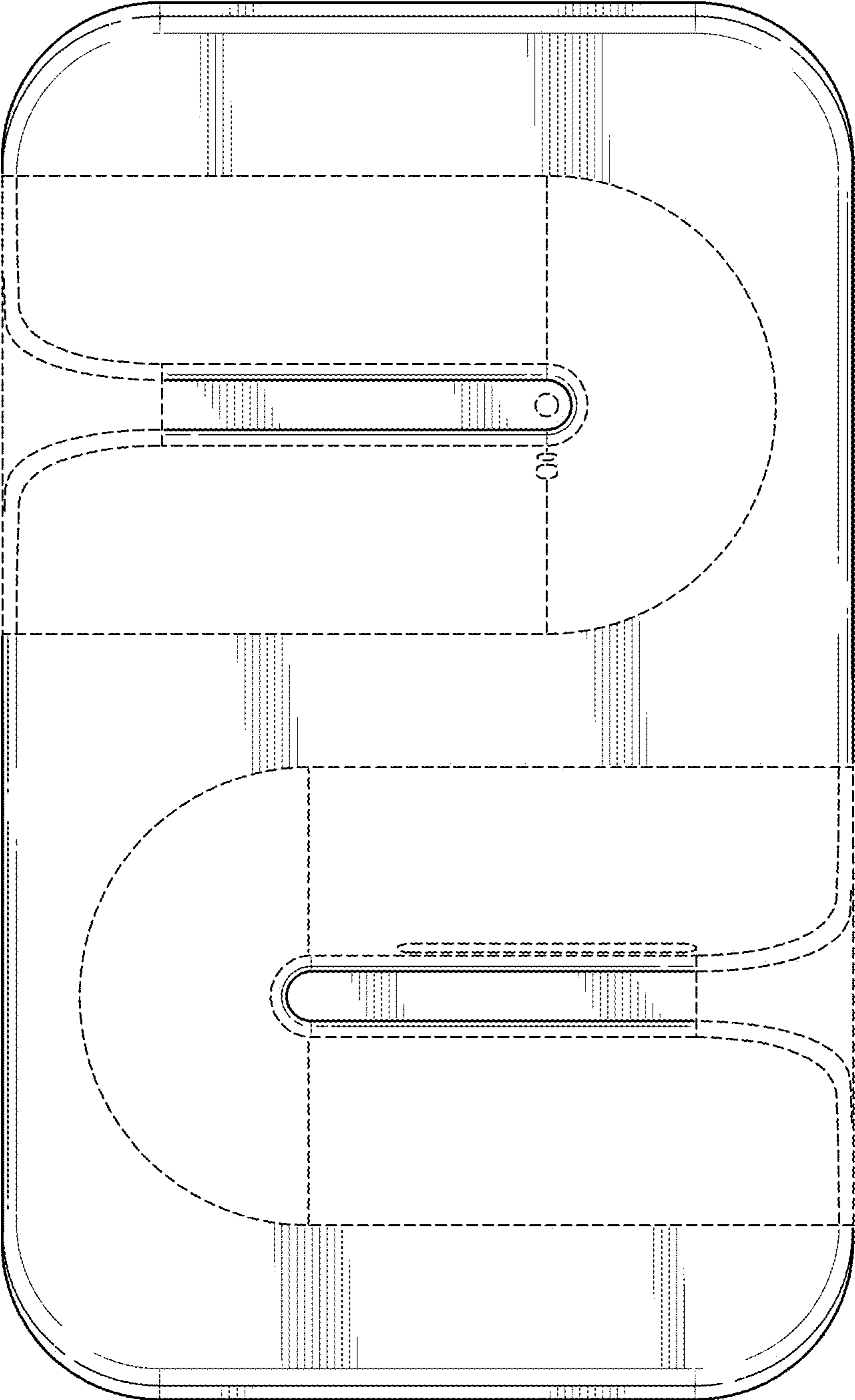


FIG. 3

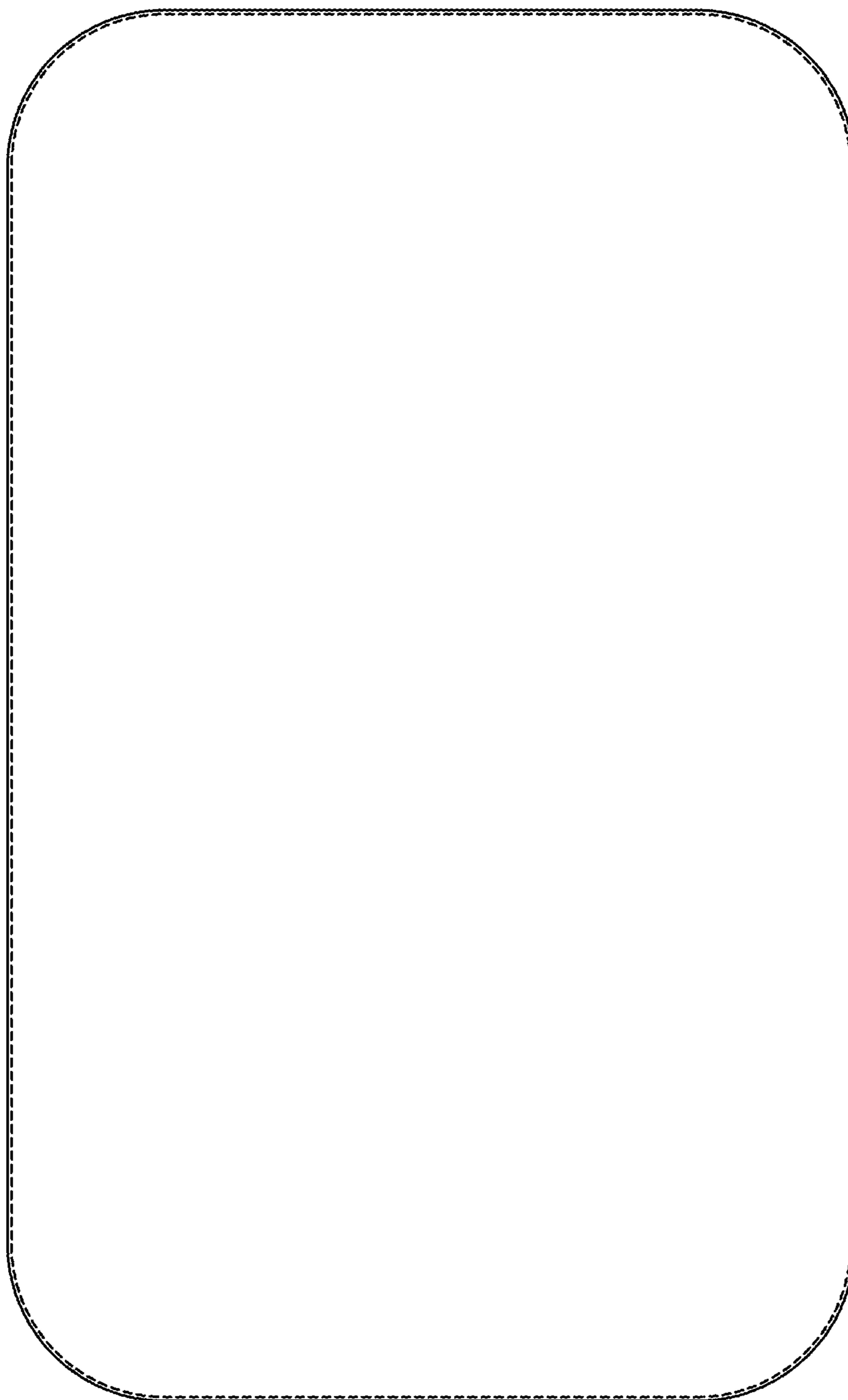


FIG. 4

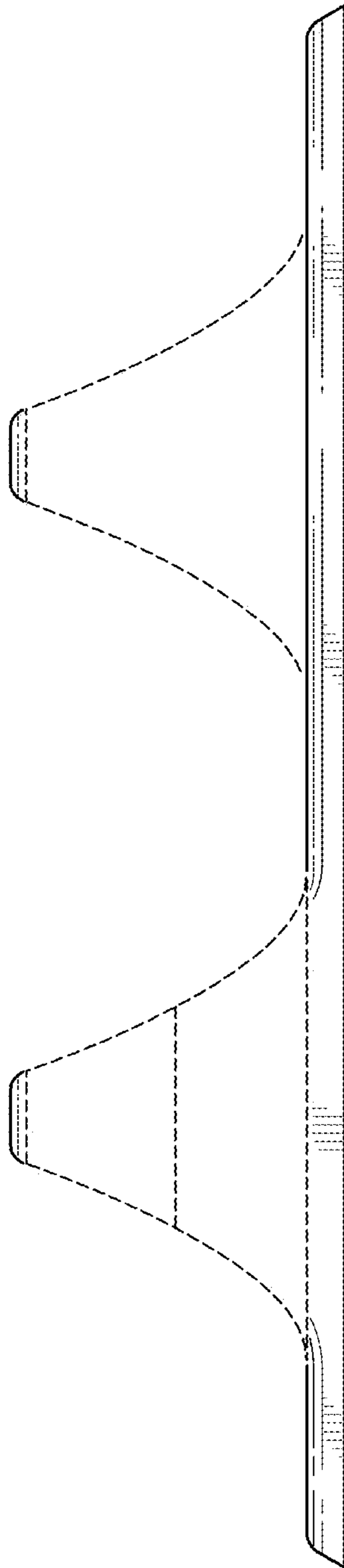


FIG. 5

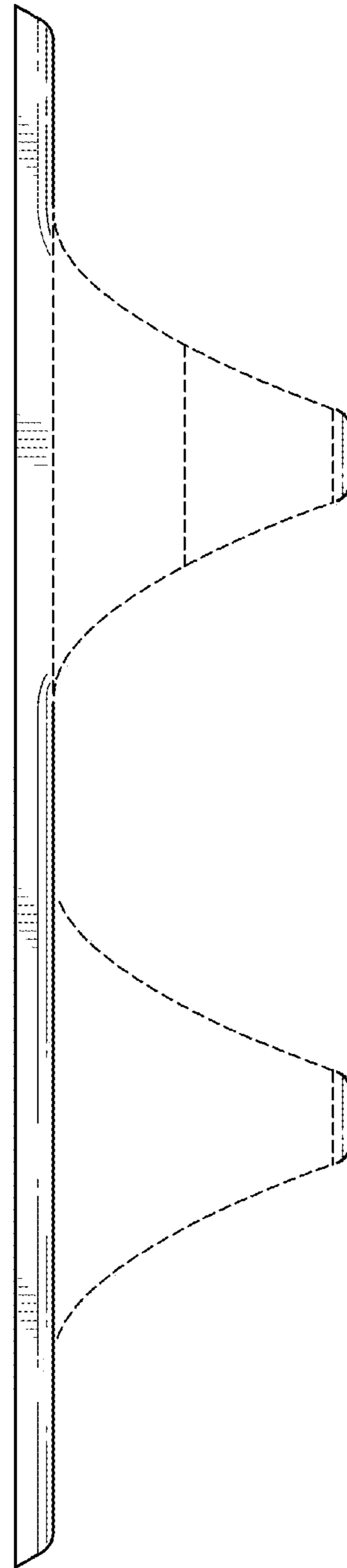


FIG. 6

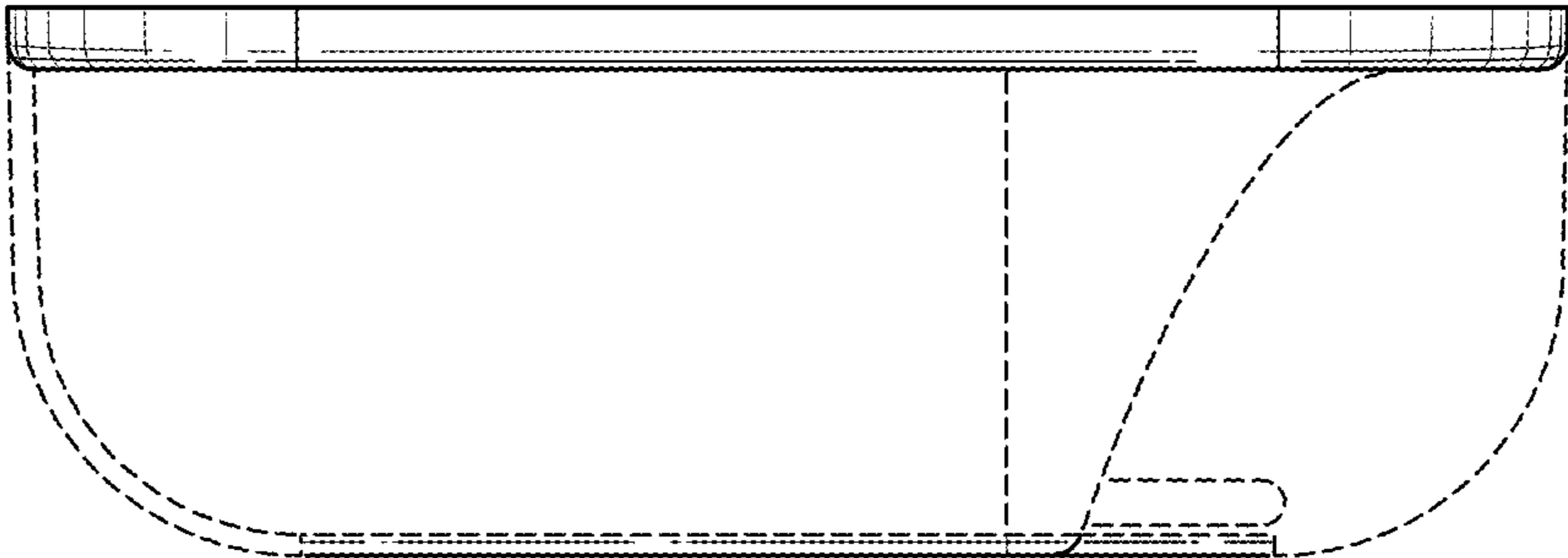


FIG. 7

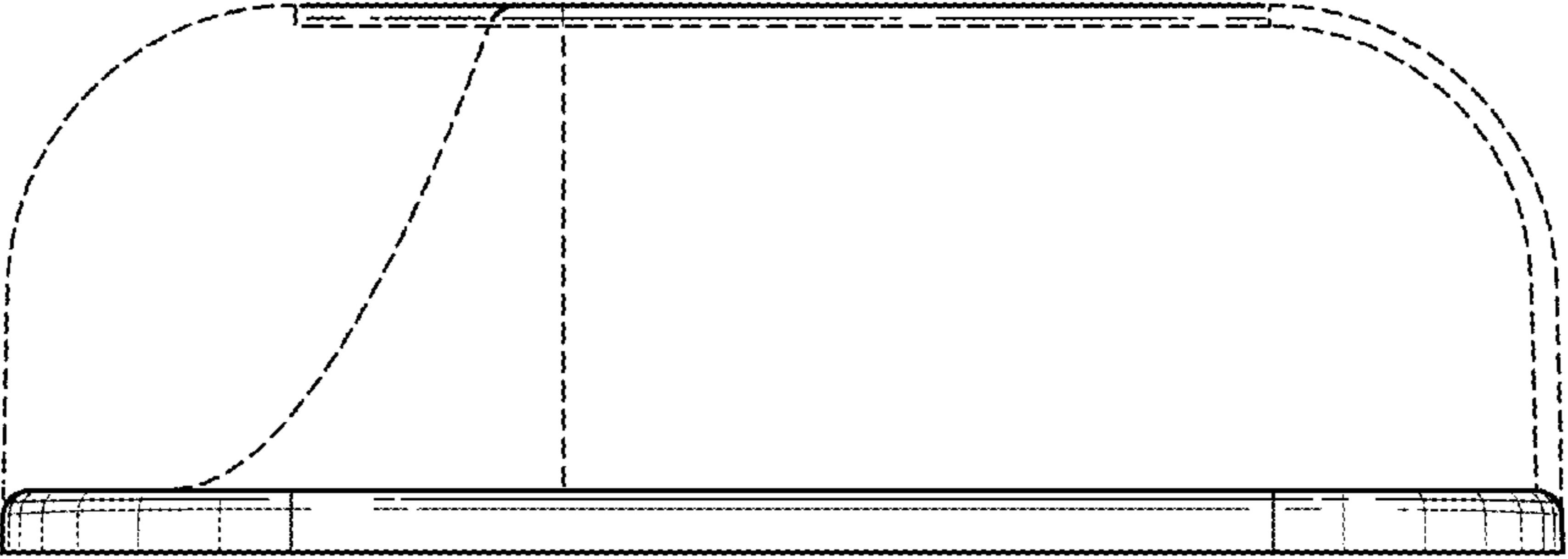


FIG. 8