



US00D972861S

(12) **United States Design Patent**
Feng

(10) **Patent No.:** **US D972,861 S**
(45) **Date of Patent:** **** Dec. 20, 2022**

- (54) **AUTOMATIC TOUCHLESS SOAP DISPENSER FOR KIDS**
- (71) Applicant: **Shenzhen Great Power Innovation and Technology Enterprise Co., Ltd.**, Shenzhen (CN)
- (72) Inventor: **Winston Feng**, Shenzhen (CN)
- (73) Assignee: **Shenzhen Great Power Innovation and Technology Enterprise Co., Ltd.**
- (**) Term: **15 Years**
- (21) Appl. No.: **29/751,992**
- (22) Filed: **Sep. 24, 2020**
- (51) **LOC (13) Cl.** **23-08**
- (52) **U.S. Cl.**
USPC **D6/542**
- (58) **Field of Classification Search**
USPC D6/524, 542-545, 540, 515, 527, 530;
D9/448, 504, 454, 688, 69, 3, 500,
D9/691-693; D23/238, 225, 247,
D23/270-275, 355, 356, 360, 362, 364,
D23/365, 366; D32/29.1; D7/598;
D10/118; D14/240, 140.1, 140.5, 140.6;
241/602; 239/343; 222/105, 173, 180,
222/181.1, 181.2, 181.3, 82
CPC A47K 5/1217; A47K 5/12; A47K 5/1207;
A47K 2005/1218
See application file for complete search history.

- D531,845 S * 11/2006 Christianson D6/542
- D593,784 S * 6/2009 Chan D6/542
- D625,538 S * 10/2010 Lorenzatti D6/542
- D641,192 S * 7/2011 Wisniewski D6/542
- D663,143 S * 7/2012 DelGigante D6/542
- D674,636 S * 1/2013 Yang D6/542

(Continued)

FOREIGN PATENT DOCUMENTS

- CN 306622320 * 6/2021
- CN 307259050 * 4/2022
- CN 307259051 * 4/2022

OTHER PUBLICATIONS

Kids Soap Dispenser. Genround (online) 12 pgs. Available Aug. 20, 2020. [Retrieved Apr. 14, 2022] <https://www.amazon.com/Dispenser-Genround-Touchless-Automatic-Chargable/dp/B08GBY2B71> (Year: 2020).*

Primary Examiner — Marie D. Fast Horse
Assistant Examiner — Jennifer Sierra Yosinski

(57) **CLAIM**

The ornamental design for an automatic touchless soap dispenser for kids, as shown and described.

DESCRIPTION

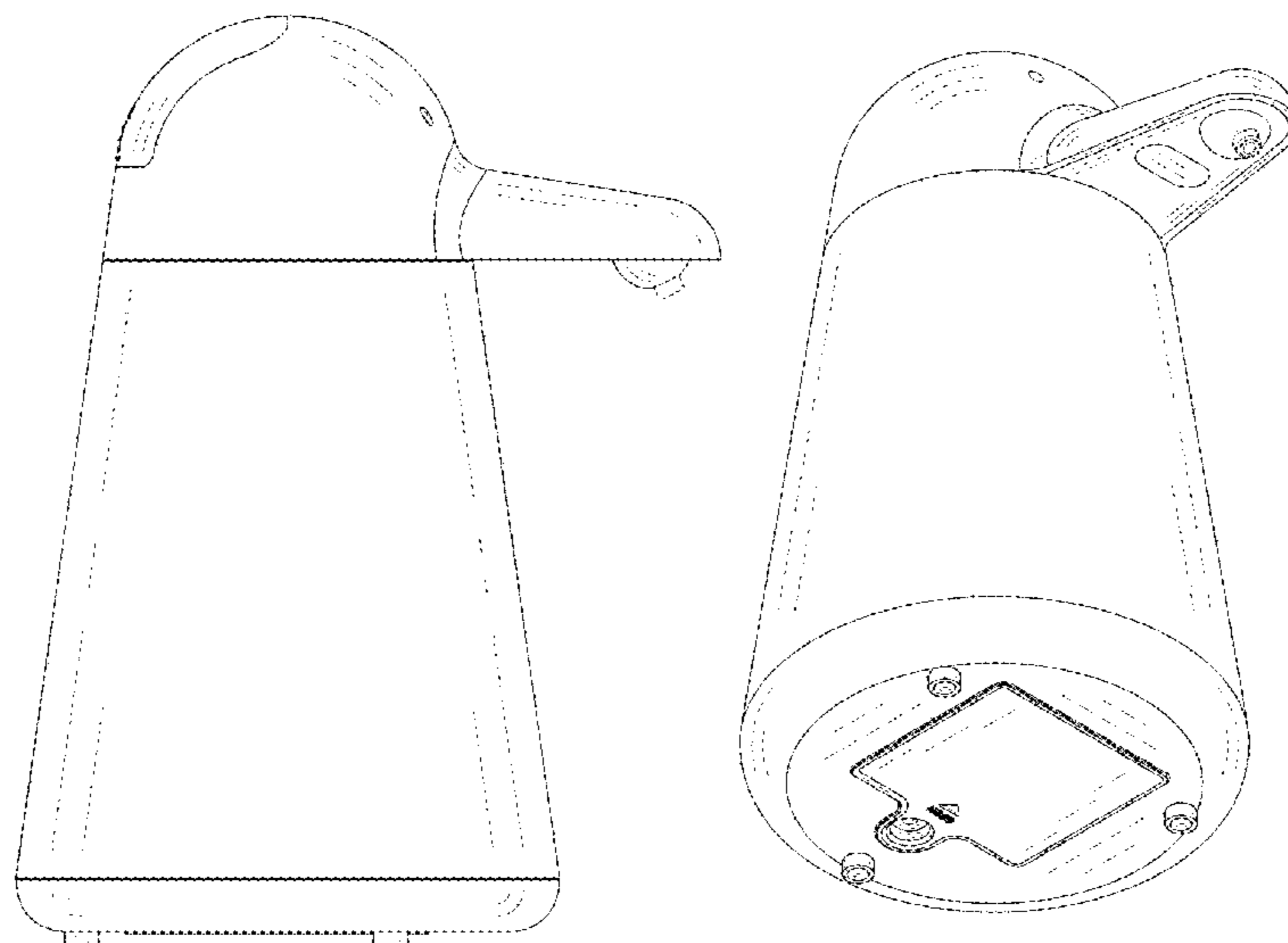
FIG. 1 is a front view of the automatic touchless soap dispenser for kids showing my new design;
FIG. 2 is a back view thereof;
FIG. 3 is a left side view thereof;
FIG. 4 is a right side view thereof;
FIG. 5 is a top view thereof;
FIG. 6 is a bottom view thereof;
FIG. 7 is a perspective view thereof; and,
FIG. 8 is another perspective view thereof.
The broken lines shown in the drawings depict portions of the automatic touchless soap dispenser for kids that form no part of the claimed design.

1 Claim, 8 Drawing Sheets

(56) **References Cited**

U.S. PATENT DOCUMENTS

- D282,339 S * 1/1986 Wei D7/606
- D285,520 S * 9/1986 Ferm D7/321
- D300,708 S * 4/1989 Minuti D7/319
- D352,862 S * 11/1994 Hollinger D7/302
- D434,975 S * 12/2000 Risch D9/683
- D451,272 S * 12/2001 McFarlin D3/202
- D531,440 S * 11/2006 Lo D6/542



(56)

References Cited

U.S. PATENT DOCUMENTS

D718,640 S	*	12/2014	Cheng	D9/691
D727,653 S	*	4/2015	Bjerre-Poulsen	D6/542
D770,798 S	*	11/2016	Yang	D6/542
D815,855 S	*	4/2018	Bos	D6/542
D897,721 S	*	10/2020	Jia	D6/542
D916,499 S	*	4/2021	Chen	D6/542
D916,501 S	*	4/2021	Merrill	D6/542
D947,570 S	*	4/2022	Ingels	D6/542
D953,063 S	*	5/2022	Schmidt	D6/542
D959,168 S	*	8/2022	Su	D6/542

* cited by examiner

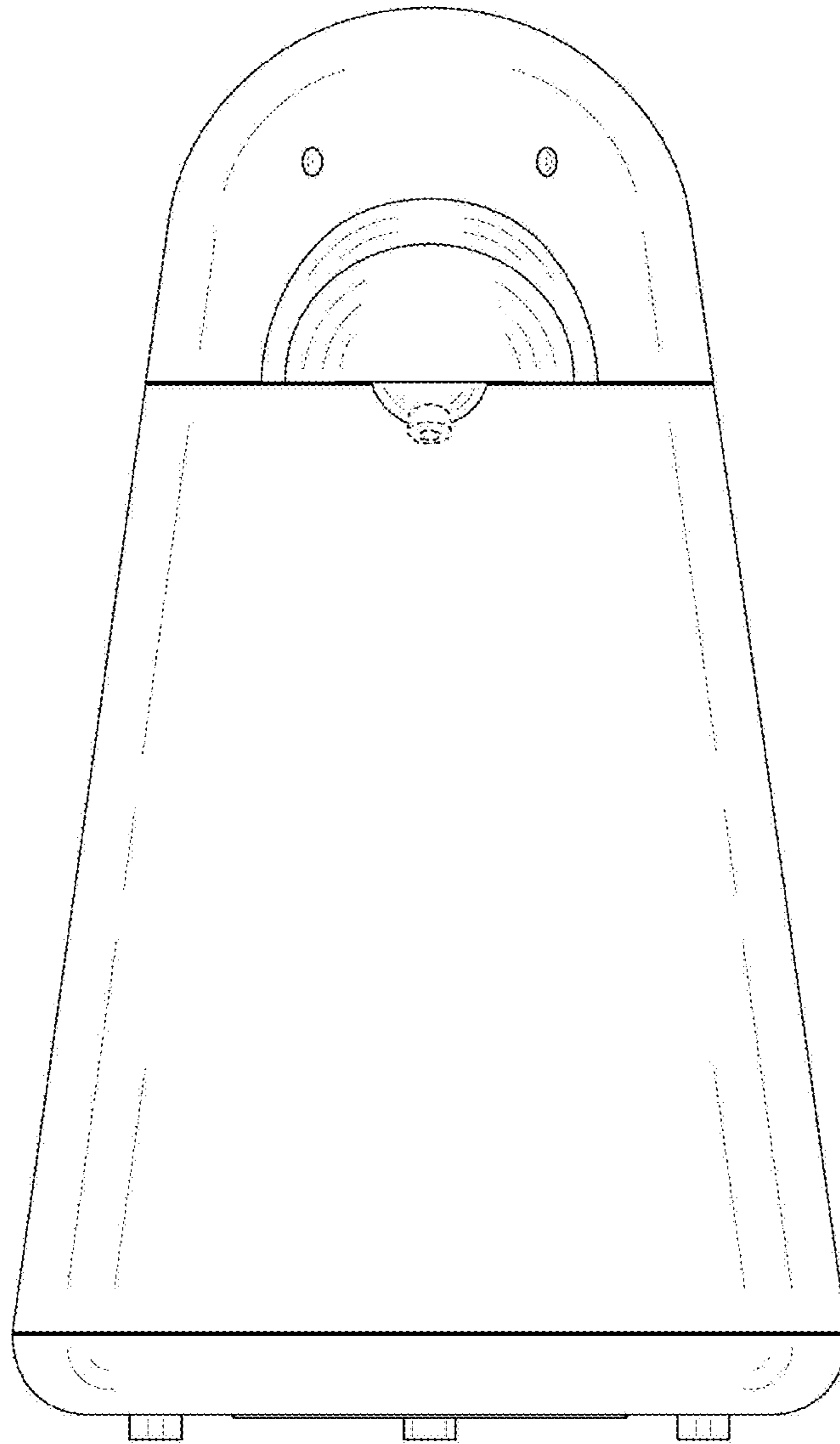


FIG. 1

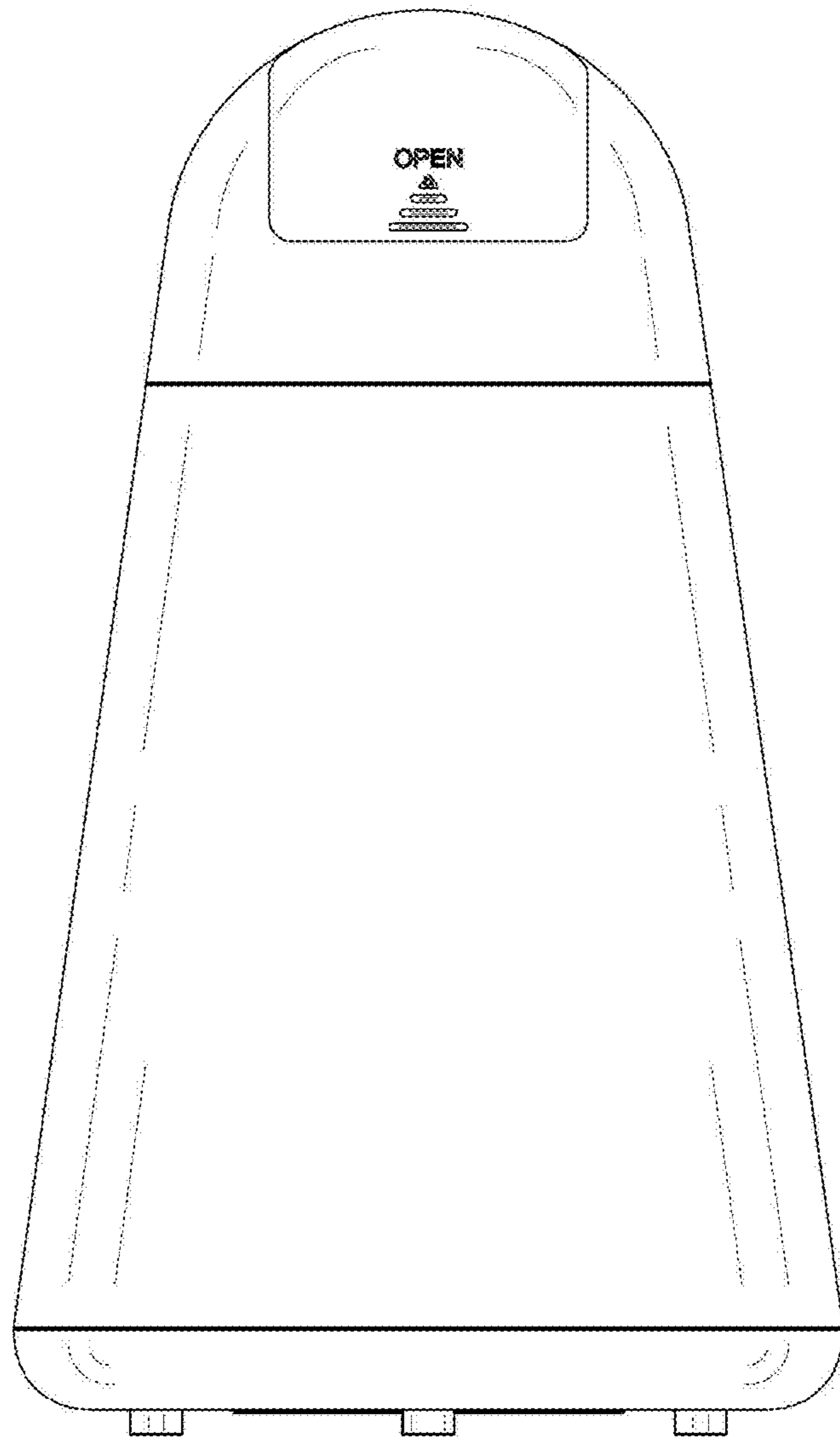


FIG. 2

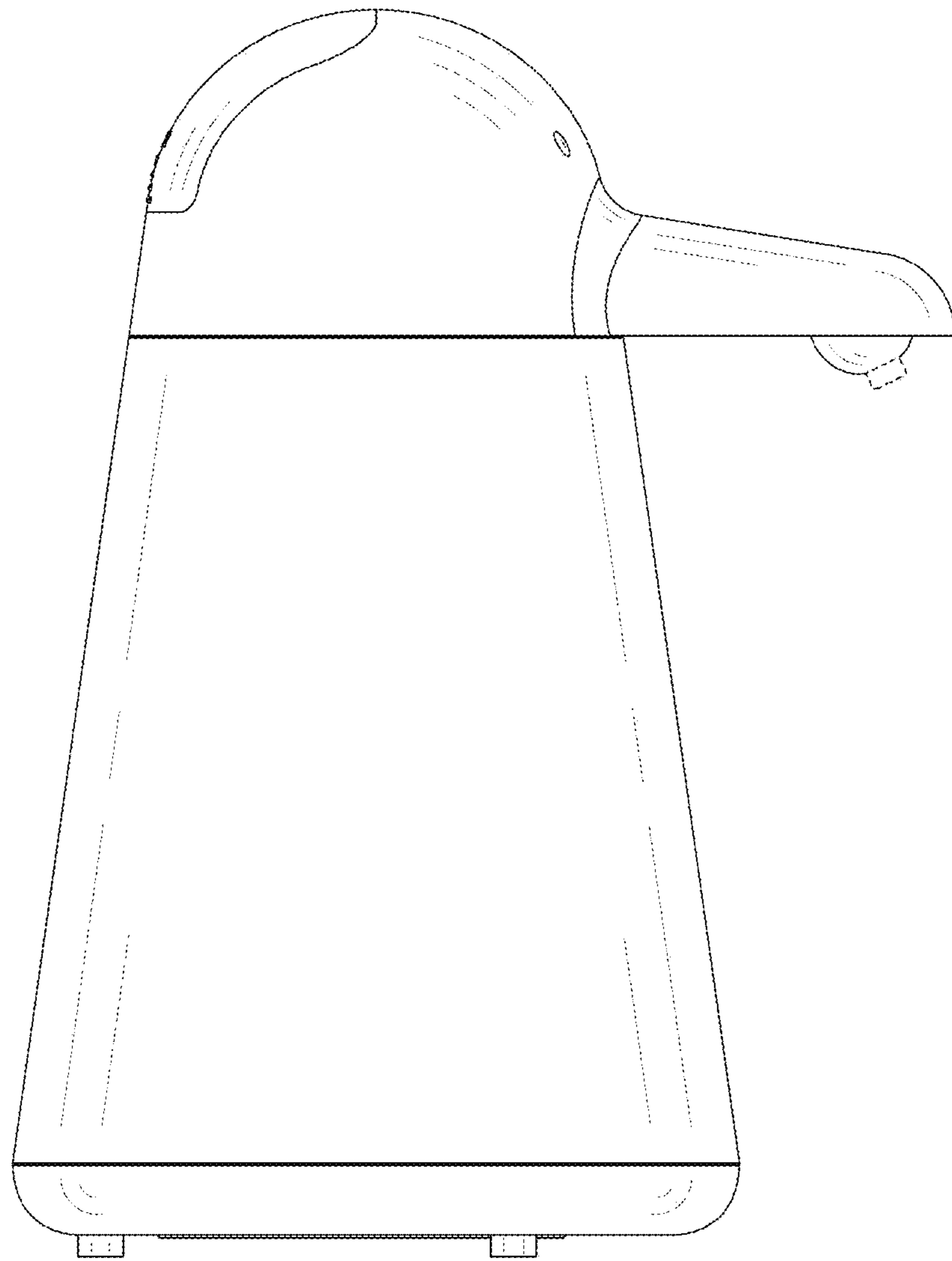


FIG. 3

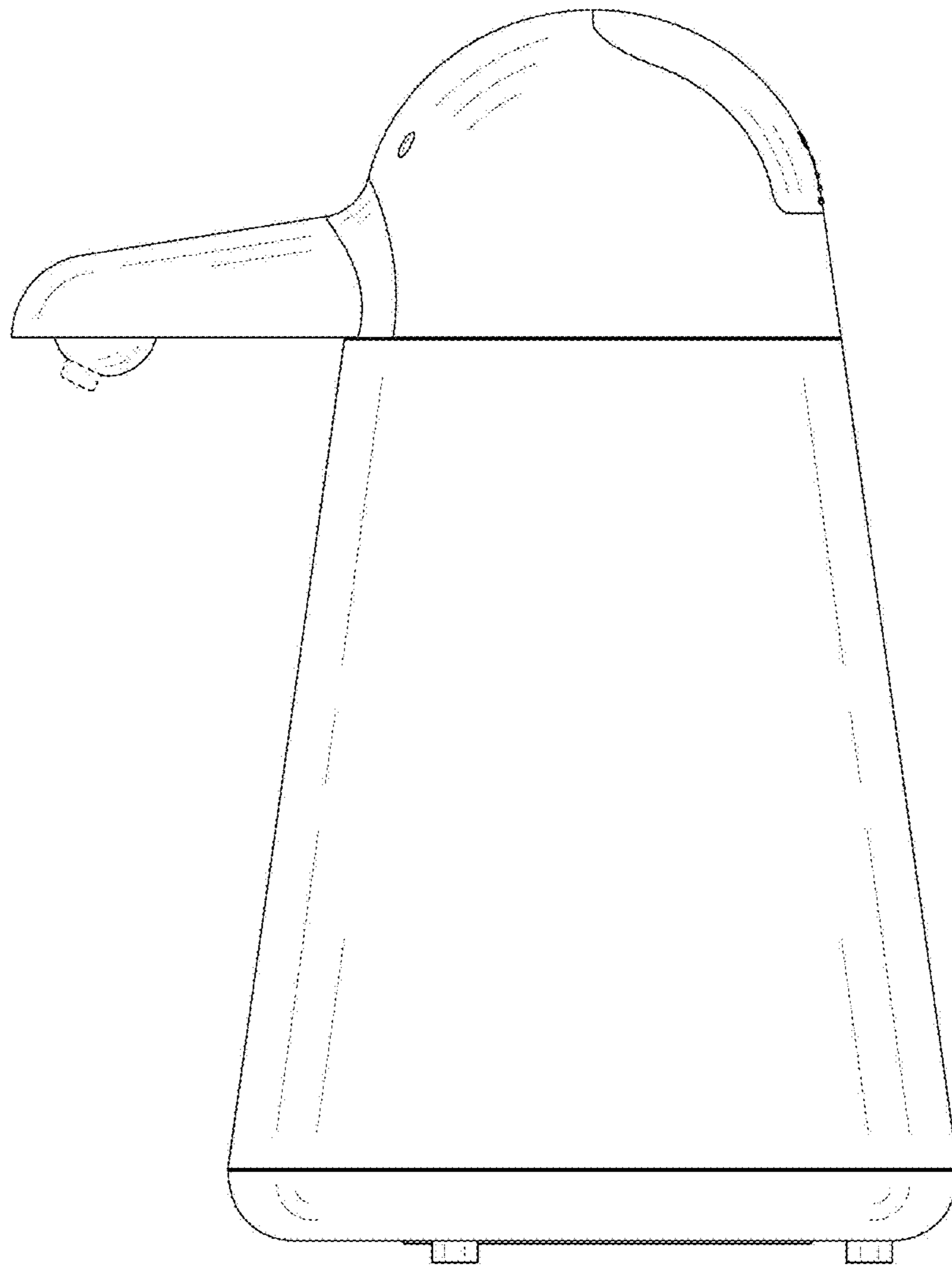


FIG. 4

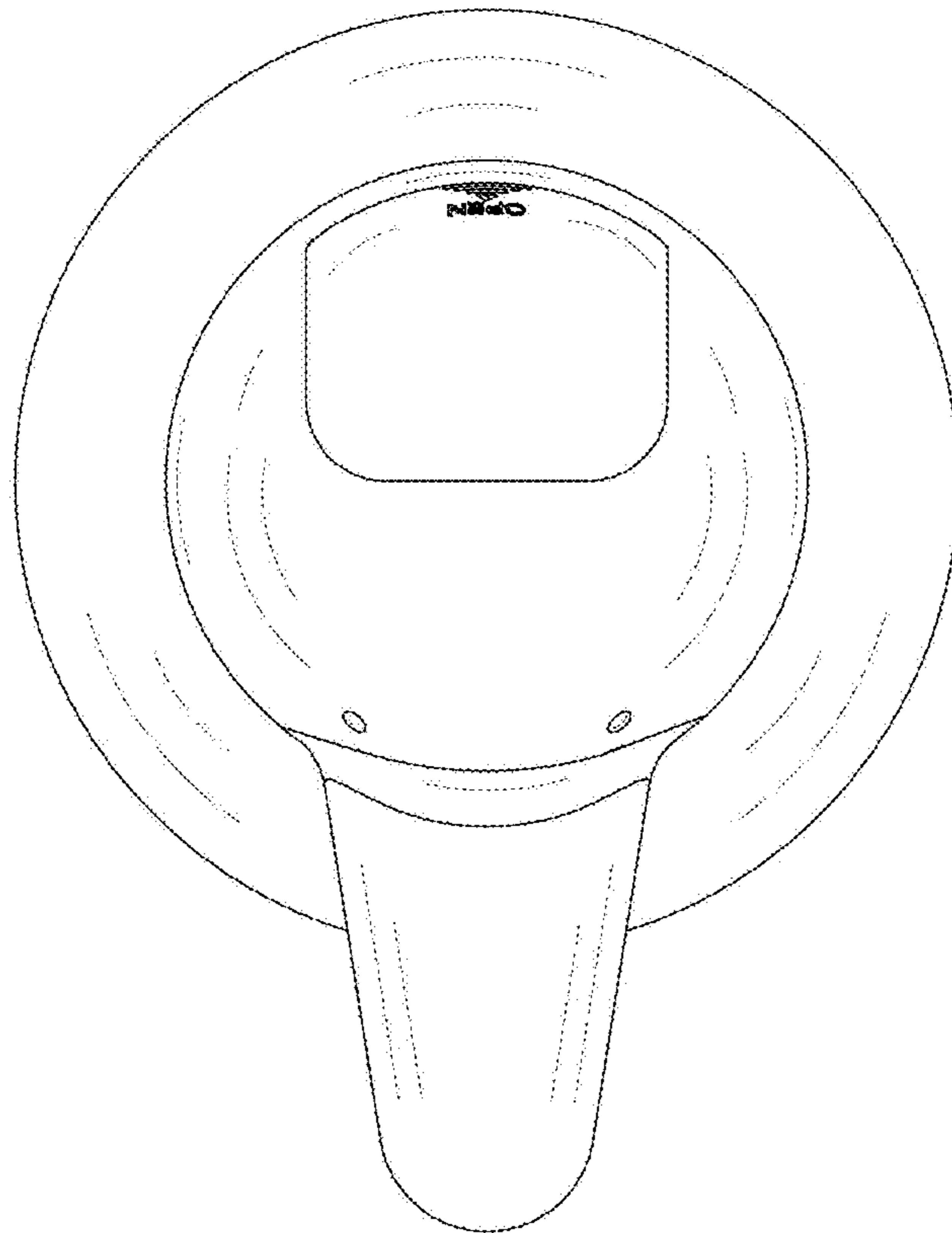


FIG. 5

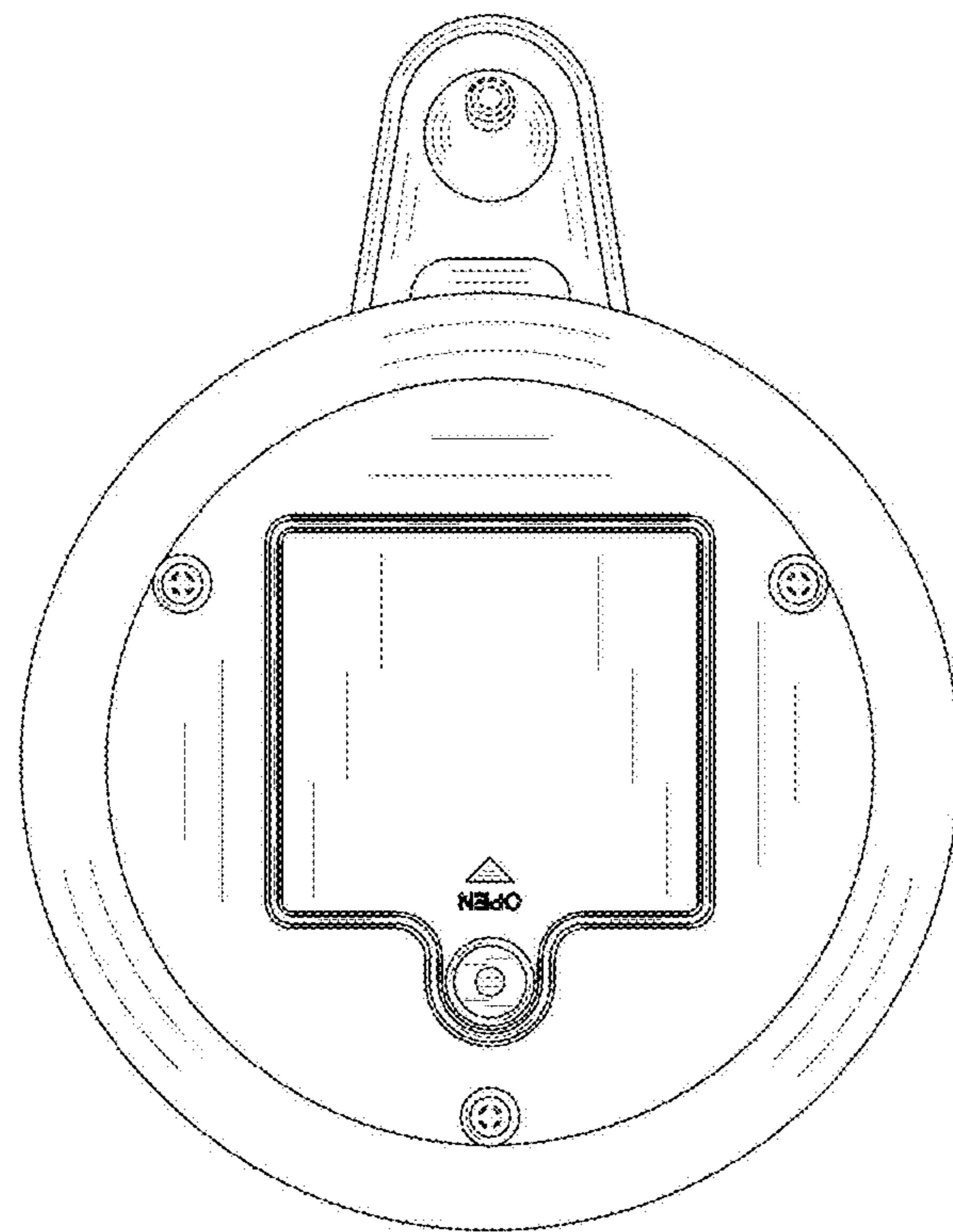


FIG. 6

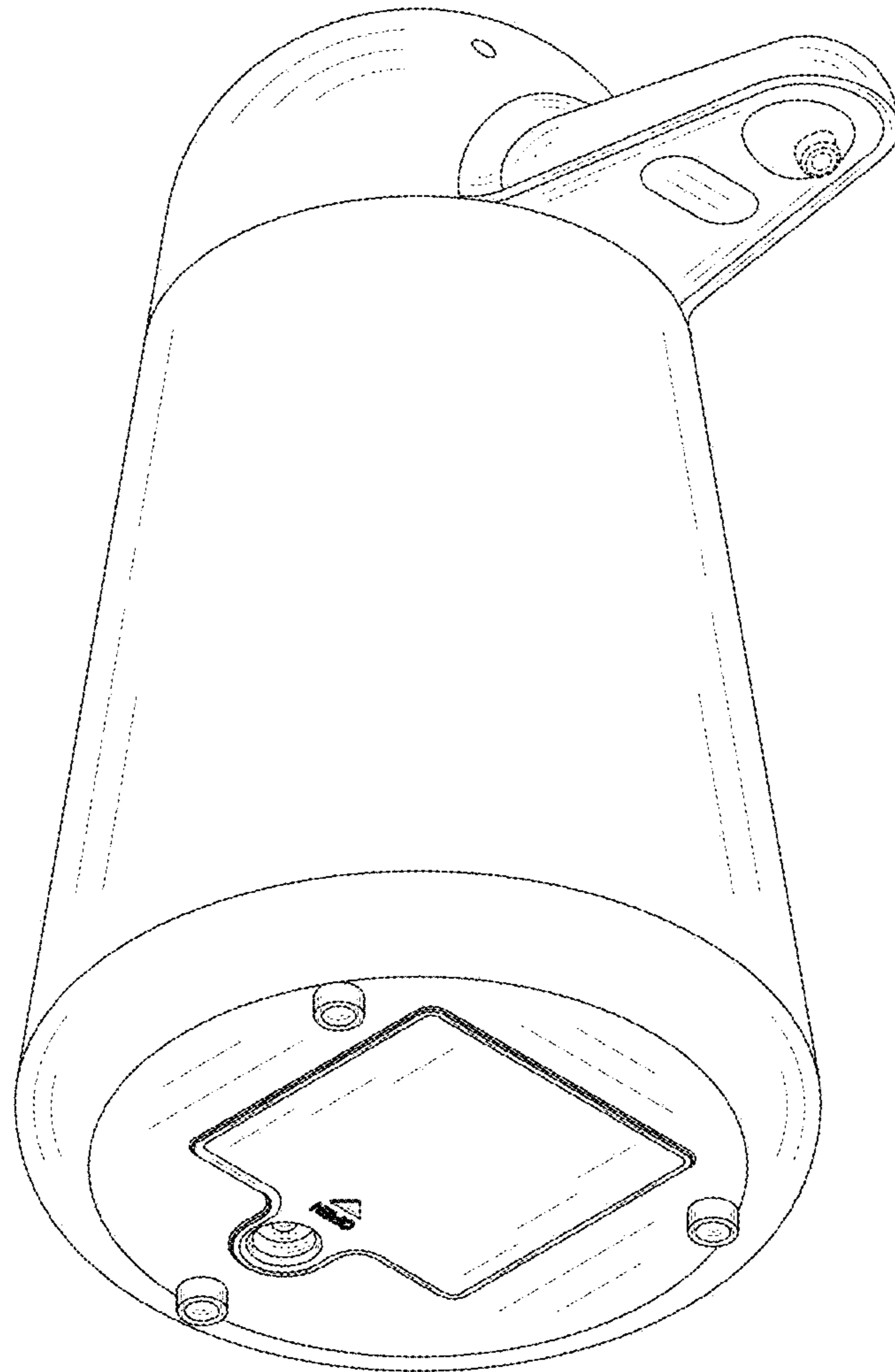


FIG. 7

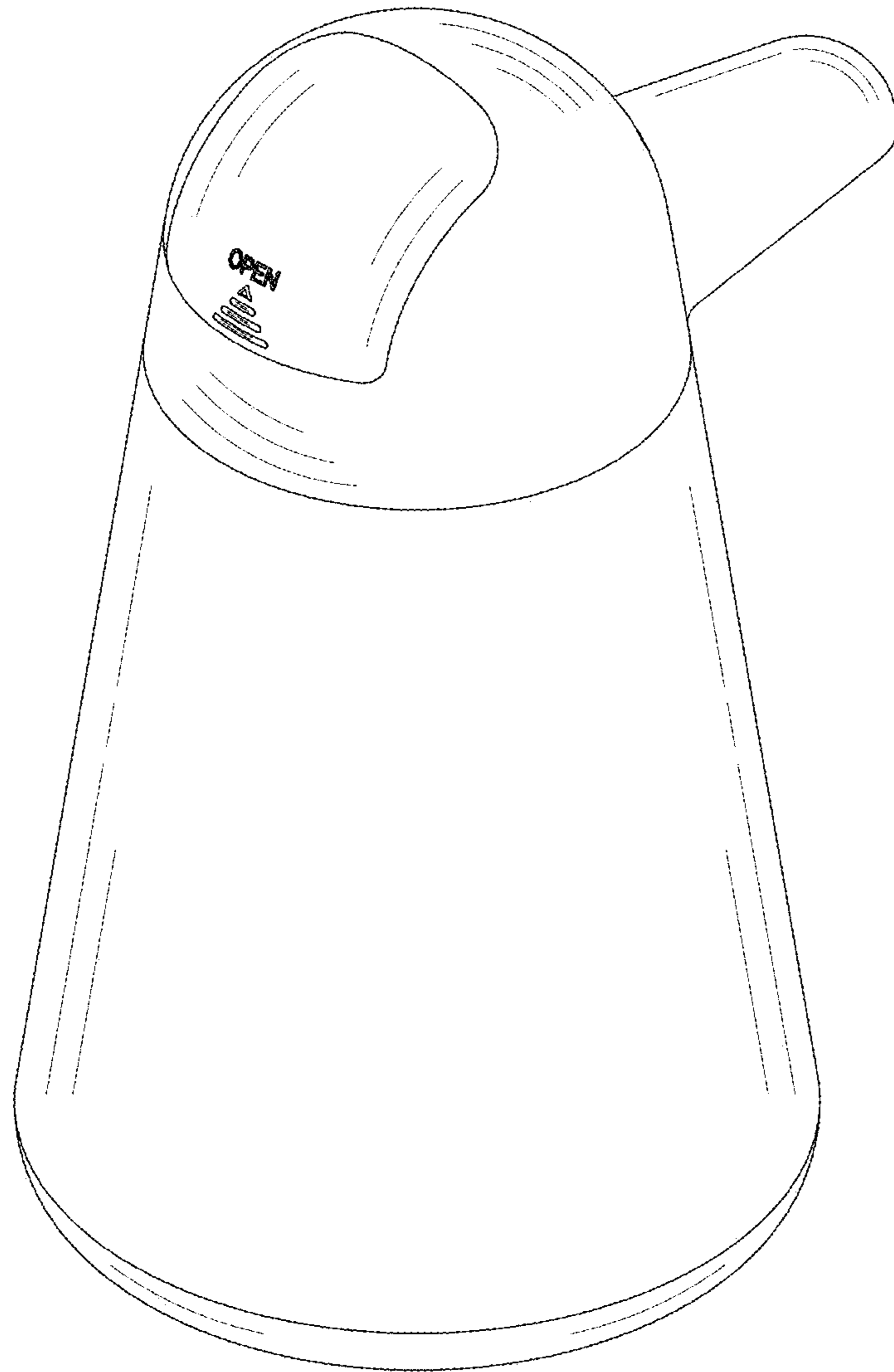


FIG. 8