



US00D972860S

(12) **United States Design Patent** (10) **Patent No.:** **US D972,860 S**  
**Zhou** (45) **Date of Patent:** **\*\* Dec. 20, 2022**

(54) **SHOWER CADDY**  
(71) Applicant: **Kaiwei Zhou**, Chongqing (CN)  
(72) Inventor: **Kaiwei Zhou**, Chongqing (CN)  
(\*\*) Term: **15 Years**

D824,189 S 7/2018 Yang et al.  
D878,098 S \* 3/2020 Goodman ..... D6/566  
D893,216 S \* 8/2020 Goodman ..... D6/566  
10,959,517 B2 \* 3/2021 Elliott ..... F16B 2/185  
D955,136 S \* 6/2022 Qiu ..... D6/566  
D964,774 S \* 9/2022 Huang ..... D6/525  
D965,340 S \* 10/2022 Wang ..... D6/525

(21) Appl. No.: **29/811,564**  
(22) Filed: **Oct. 15, 2021**  
(51) **LOC (13) Cl.** ..... **06-04**  
(52) **U.S. Cl.**  
USPC ..... **D6/525**  
(58) **Field of Classification Search**  
USPC ..... D6/672, 675, 675.1, 675.2, 675.3, 683,  
D6/512, 513, 514, 524, 525, 527, 567,  
D6/570, 573, 574, 563, 564, 553, 304,  
D6/566, 675.5; D7/600.1, 600.4;  
D3/201, 304, 306, 310, 313, 318;  
211/12, 13.1, 85.3, 85.9, 30, 32, 85.31,  
211/86.01, 87.01, 88.04, 90.03, 94.02,  
211/106, 106.1, 119.009; 221/126.2,  
221/126.9, 188, 151  
CPC ... A47K 5/03; A47K 5/04; A47K 5/02; A47K  
5/00; A47K 5/18  
See application file for complete search history.

**FOREIGN PATENT DOCUMENTS**

CN 307039229 \* 12/2021

**OTHER PUBLICATIONS**

2-Pack Adhesive Shower Caddy. OMAIRA (online) 12 pgs. Avail-  
able Jun. 2, 2021. [Retrieved Aug. 2, 2022] <https://www.amazon.com/Adhesive-Rustproof-Stainless-OMAIRA-Organizer/dp/B096DNVRF> (Year: 2021).\*  
Shower Caddy. Carwiner (online) 15 pgs. Available Jun. 11, 2021.  
[Retrieved Aug. 2, 2022] <https://www.amazon.com/dp/B0949H419H> (Year: 2021).\*

(Continued)

*Primary Examiner* — Marie D. Fast Horse  
*Assistant Examiner* — Jennifer Sierra Yosinski

(57) **CLAIM**

The ornamental design for a shower caddy, as shown and described.

(56) **References Cited**

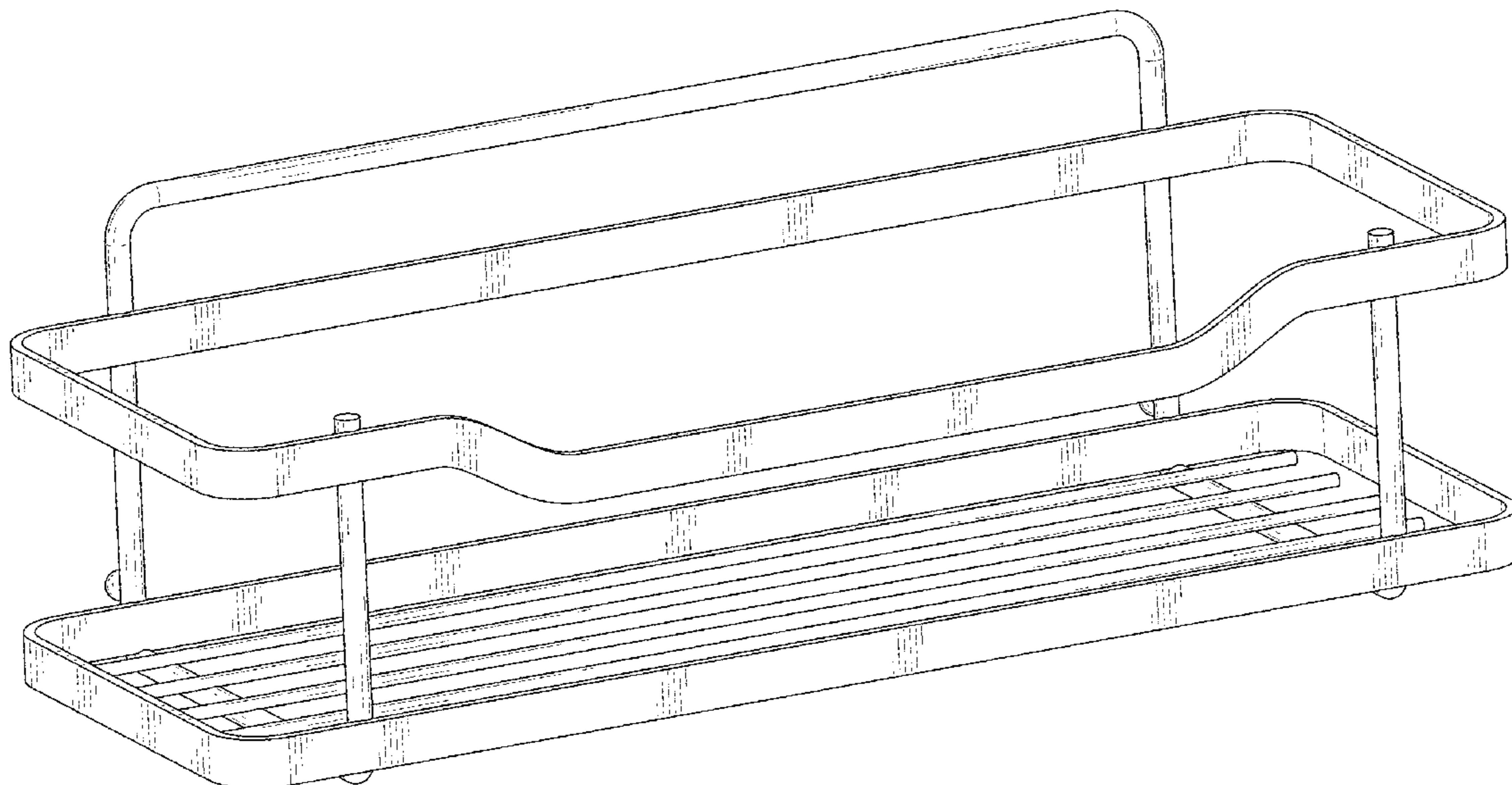
**U.S. PATENT DOCUMENTS**

D477,947 S 8/2003 Snell  
D530,948 S \* 10/2006 Snell ..... D6/525  
D568,657 S \* 5/2008 Snider ..... A47K 3/281  
D6/525  
D584,056 S \* 1/2009 Ghiorghie ..... D6/513  
D616,235 S \* 5/2010 Guindi ..... D6/525  
D616,680 S \* 6/2010 Snider ..... D6/513  
D677,089 S \* 3/2013 Tawil ..... D6/525  
D753,422 S \* 4/2016 Snider ..... D6/675.3  
D784,721 S \* 4/2017 Goodman ..... D6/525  
9,770,138 B2 \* 9/2017 Engell ..... A47K 5/04

**DESCRIPTION**

FIG. 1 is a perspective view of a shower caddy showing my new design;  
FIG. 2 is another perspective view thereof;  
FIG. 3 is a front elevational view thereof;  
FIG. 4 is a rear elevational view thereof;  
FIG. 5 is a left side elevational view thereof;  
FIG. 6 is a right side elevational view thereof;  
FIG. 7 is a top plan view thereof; and,  
FIG. 8 is a bottom plan view thereof

**1 Claim, 8 Drawing Sheets**



(56)

**References Cited**

OTHER PUBLICATIONS

Stainless Steel Shelf Rack. Costyle (online) 7 pgs. Available Jul. 17, 2020. [Retrieved Aug. 2, 2022] <https://www.walmart.com/ip/Costyle-Stainless-Steel-Wall-Mounted-Storage-Kitchen-Bath-Holder-Organizer-Shelf-Rack/301670835> (Year: 2020).\*

3-Pack Shower Caddy. AJayHao (online) 13 pgs. Available Sep. 2, 2021. [Retrieved Aug. 2, 2022] <https://www.amazon.com/AJayHao-Adhesives-Rustproof-Organizer-Stainless/dp/B09F9RC9MV> (Year: 2021).\*

\* cited by examiner

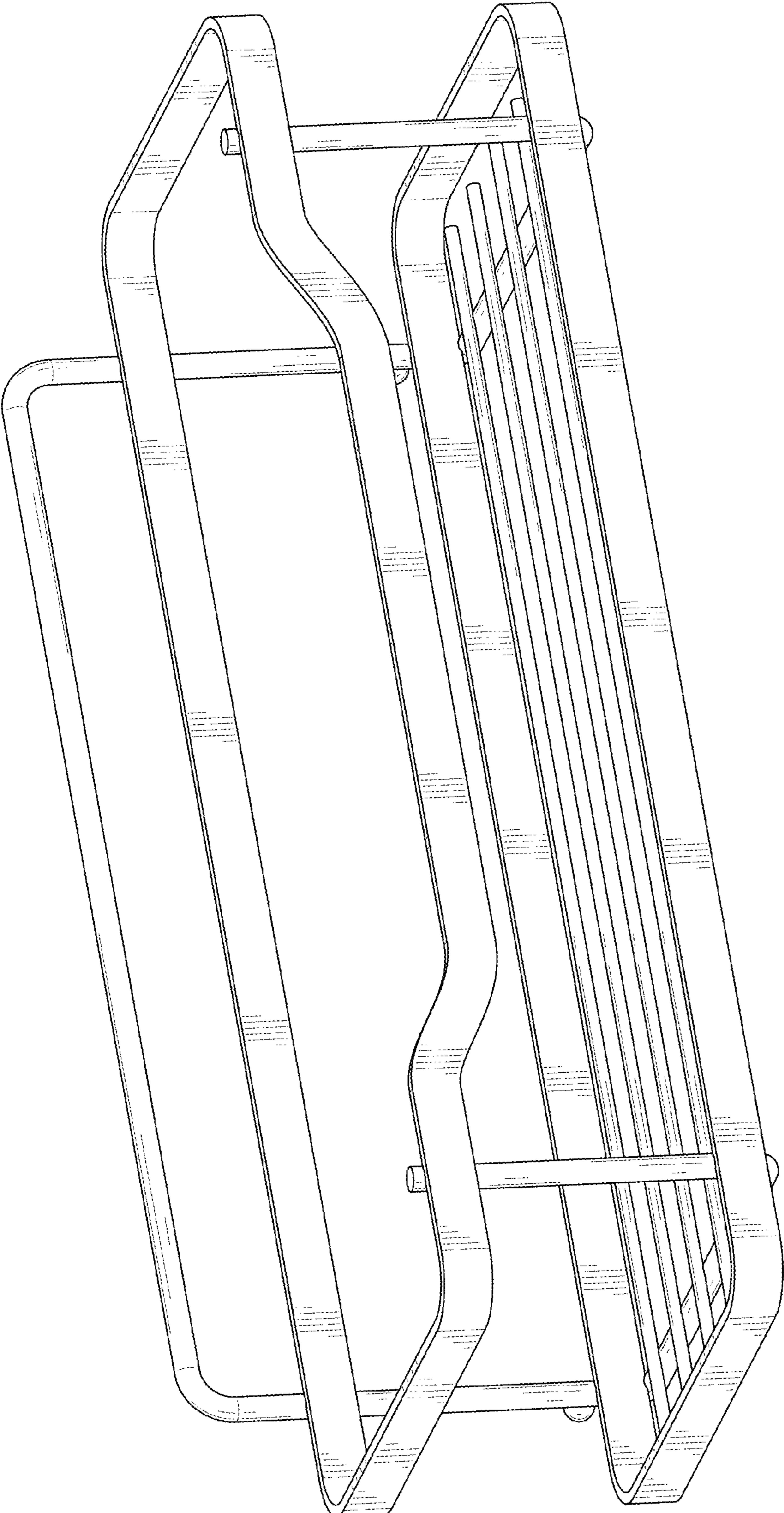


FIG. 1

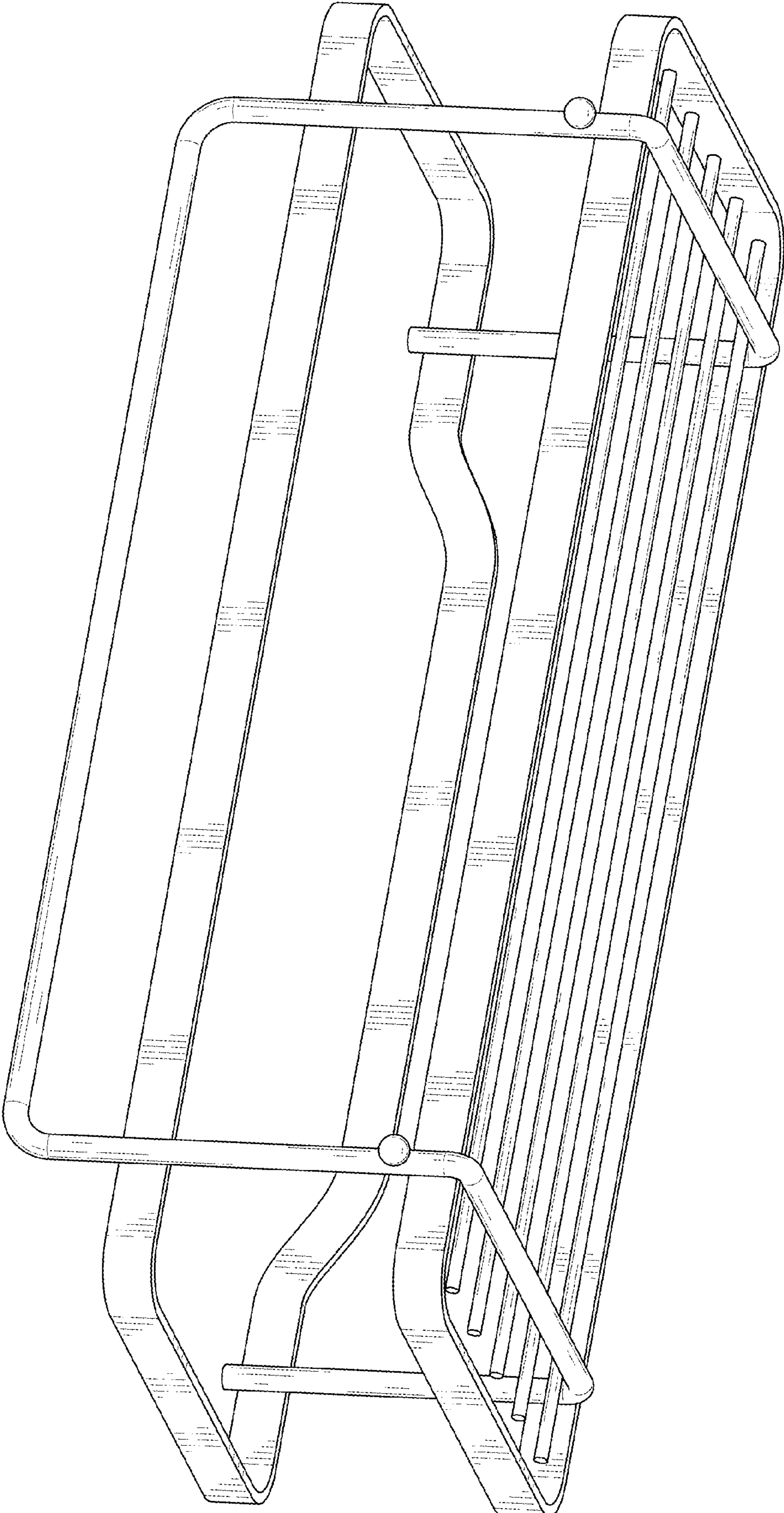


FIG. 2

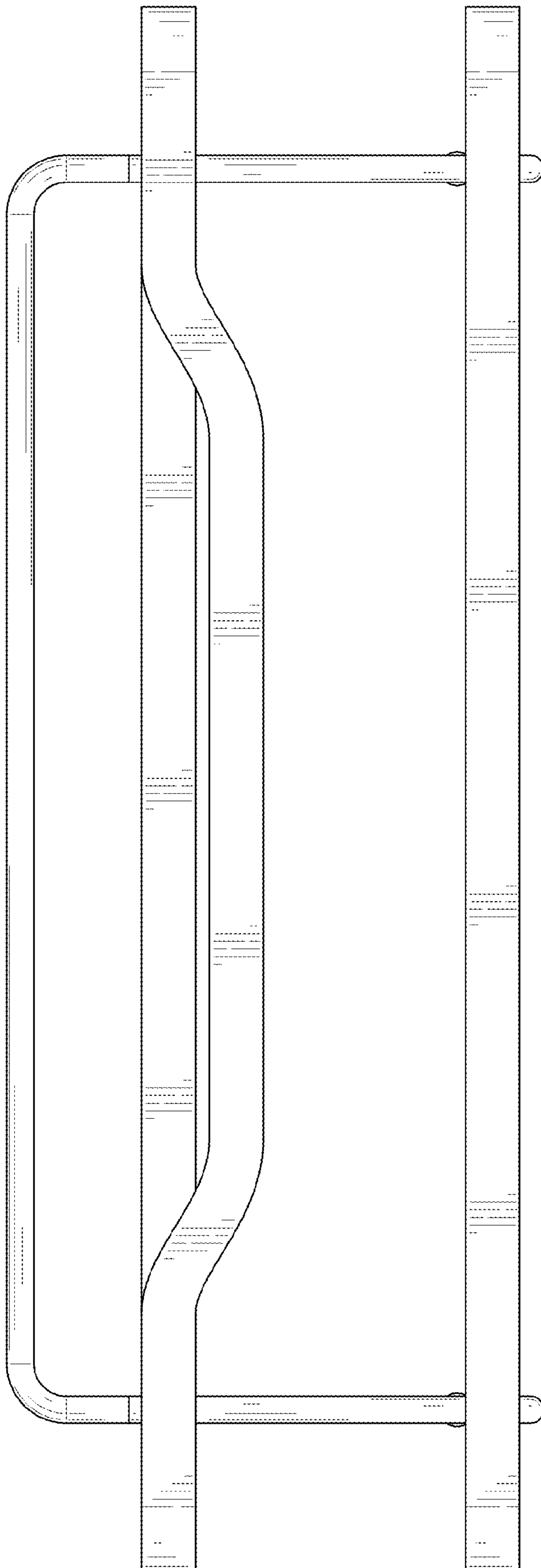


FIG. 3

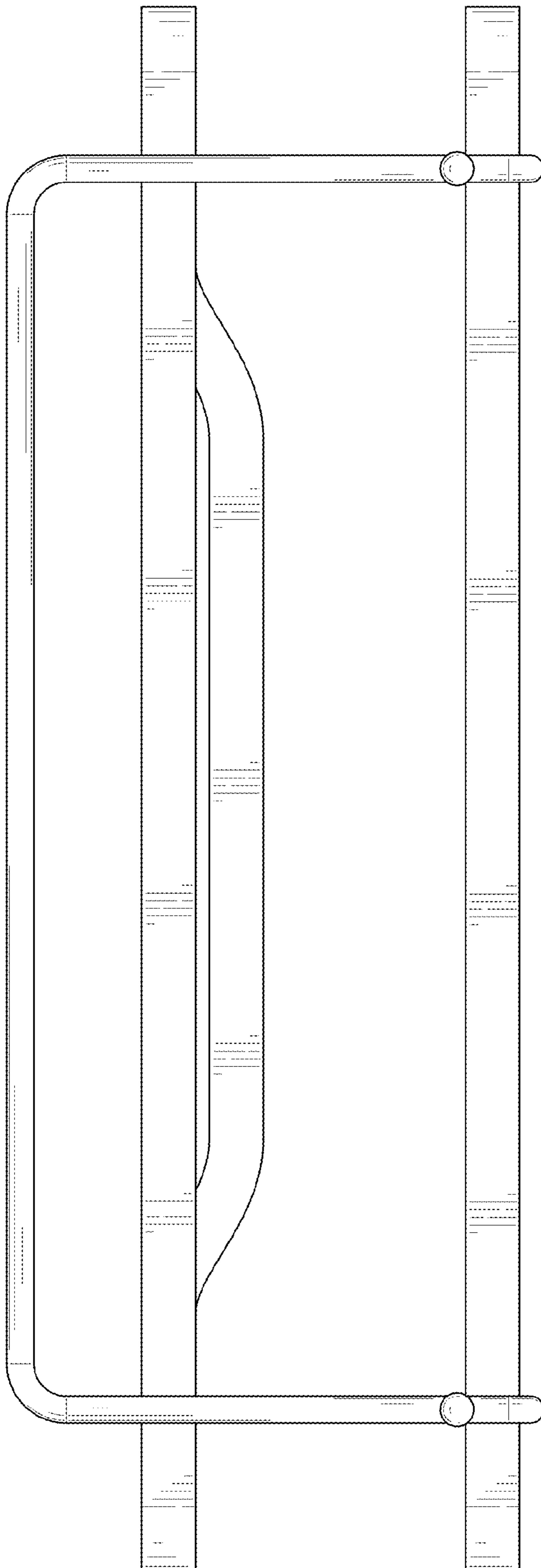


FIG. 4

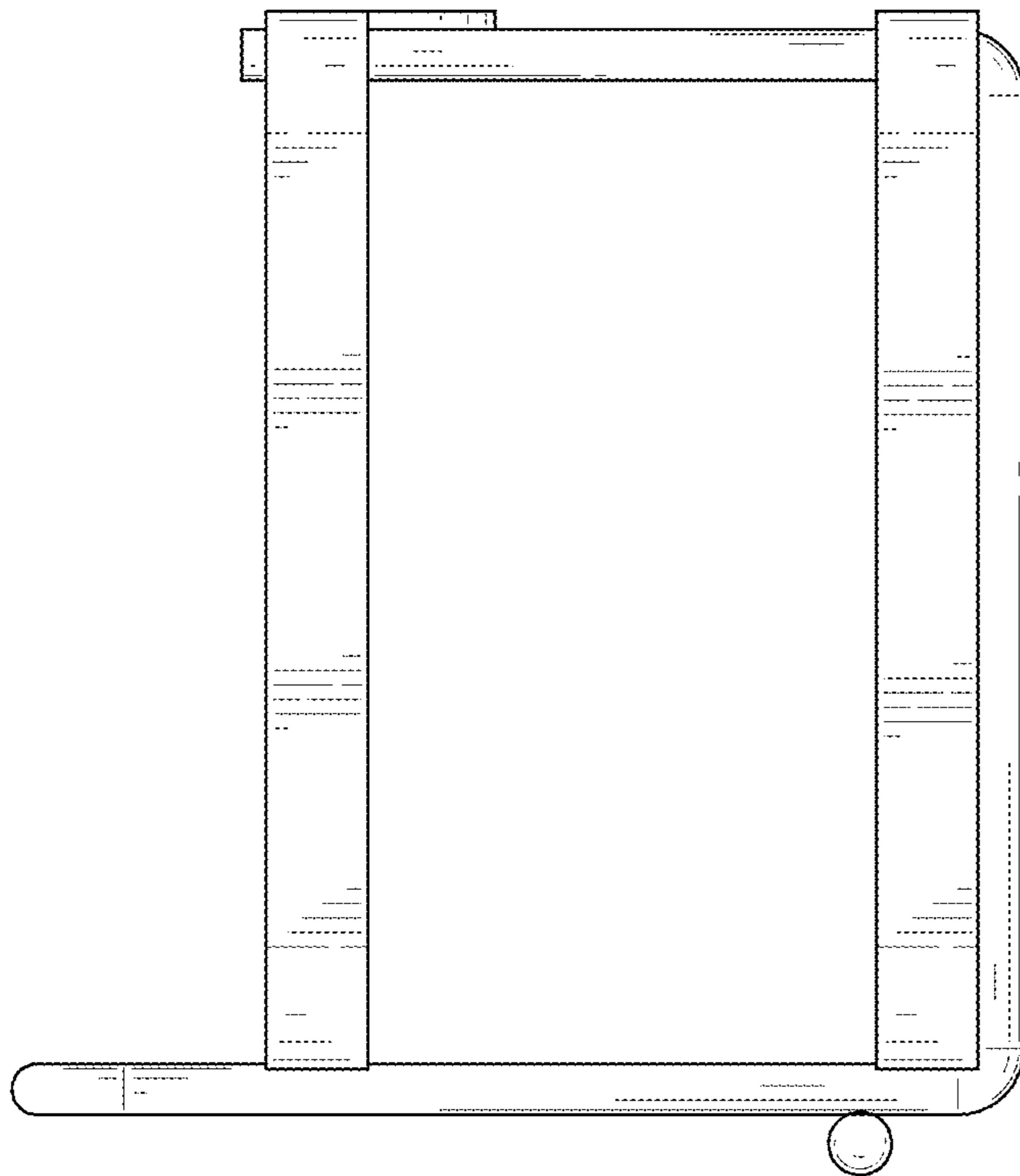


FIG. 5

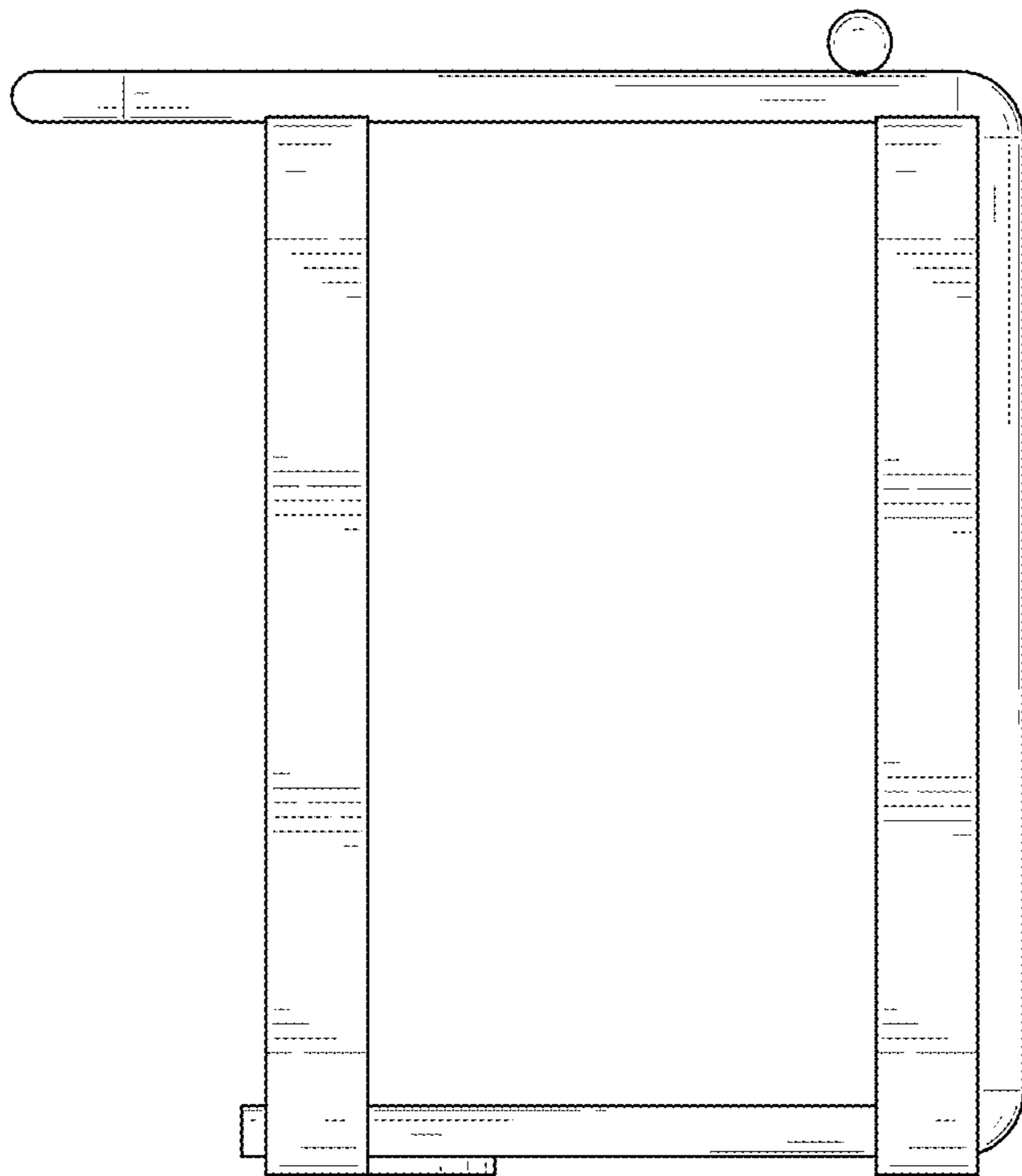


FIG. 6



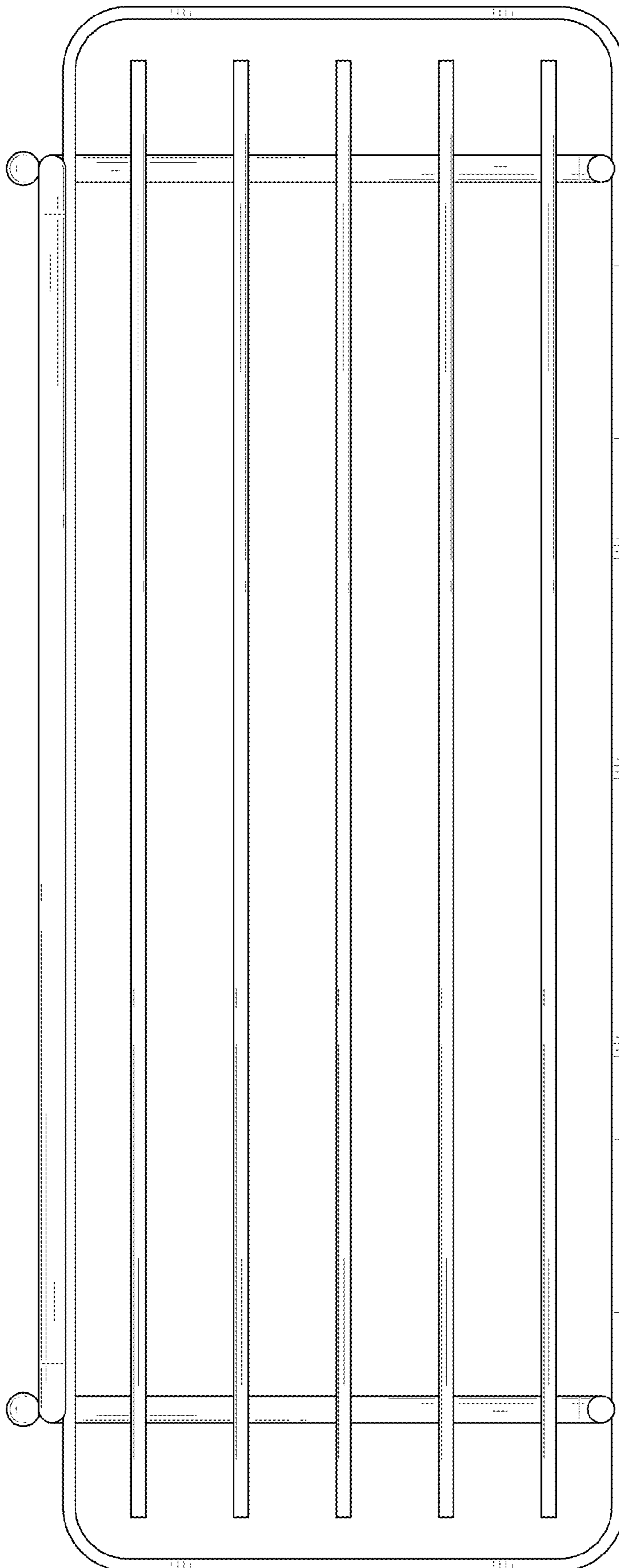


FIG. 7

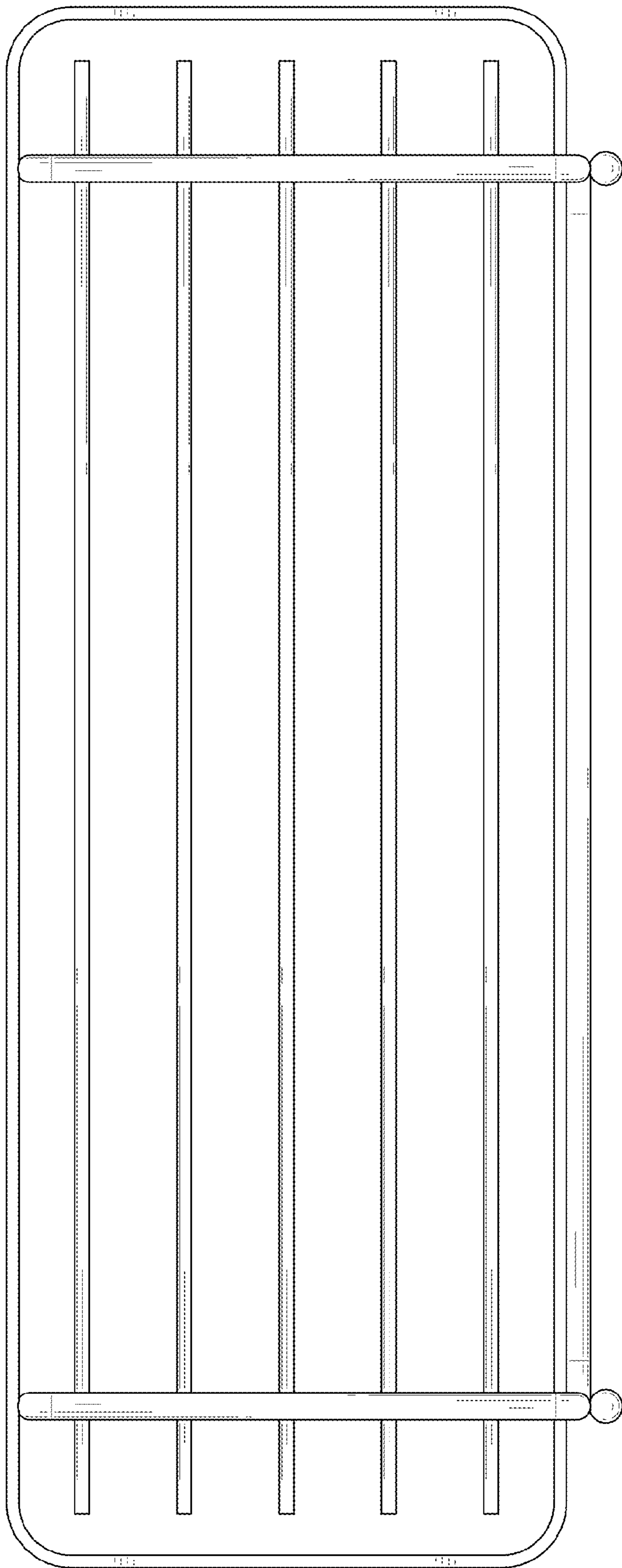


FIG. 8