



US00D972857S

(12) **United States Design Patent**
Tang

(10) **Patent No.:** **US D972,857 S**

(45) **Date of Patent:** **** Dec. 20, 2022**

- (54) **CLING WRAP DISPENSER**
- (71) Applicant: **SHENZHEN QI JIA YOU PING TECHNOLOGY CO., LTD**, Shenzhen (CN)
- (72) Inventor: **Wenquan Tang**, Shenzhen (CN)
- (73) Assignee: **SHENZHEN QI JIA YOU PING TECHNOLOGY CO., LTD**, Shenzhen (CN)
- (**) Term: **15 Years**
- (21) Appl. No.: **29/781,037**
- (22) Filed: **Apr. 28, 2021**
- (51) **LOC (13) Cl.** **06-06**
- (52) **U.S. Cl.**
USPC **D6/518**
- (58) **Field of Classification Search**
USPC D8/14, 51, 98; D9/414, 419, 432; D6/518, 519, 520
CPC B65H 35/0067; B65H 2407/10; B65H 2402/00; Y10T 83/8841; Y10T 225/243; Y10T 83/8785; Y10T 83/896; Y10T 83/8758; B65D 5/00; B65D 5/0015; B65D 5/061; B65D 5/18; B65D 5/20; B65D 5/321; B65D 5/322; D65D 5/32
See application file for complete search history.

(56) **References Cited**

U.S. PATENT DOCUMENTS

- D272,970 S * 3/1984 Hasegawa D6/518
- 5,135,784 A * 8/1992 Okumura B65H 35/008
493/110
- 5,146,828 A * 9/1992 Huang B65H 35/0006
83/649
- 5,222,644 A * 6/1993 Moreno B65H 35/002
225/89

- 5,275,321 A * 1/1994 Manu B65H 35/002
206/407
- D357,377 S * 4/1995 Manu D6/518
- D441,577 S * 5/2001 Benedetti D6/518
- D452,788 S * 1/2002 Neiberger D6/518
- D595,075 S * 6/2009 Ramos Peon B26D 1/045
D6/518
- D700,837 S * 3/2014 Antal, Sr. D9/419
- D728,258 S * 5/2015 Cohen D6/518
- D815,522 S * 4/2018 Vegliante D9/414
- D861,477 S * 10/2019 Smith B65H 35/002
D9/420
- D873,659 S * 1/2020 Vegliante B65H 35/0006
D9/432
- 10,836,558 B2 * 11/2020 Vegliante B26D 1/065
- 10,959,580 B2 * 3/2021 Vegliante A47K 10/3631
- D957,845 S * 7/2022 Fried D6/522
- 2003/0140760 A1 * 7/2003 Bory B65H 35/002
83/175
- 2004/0040429 A1 * 3/2004 Nichols B26D 1/045
83/614

(Continued)

Primary Examiner — Philip S Hyder

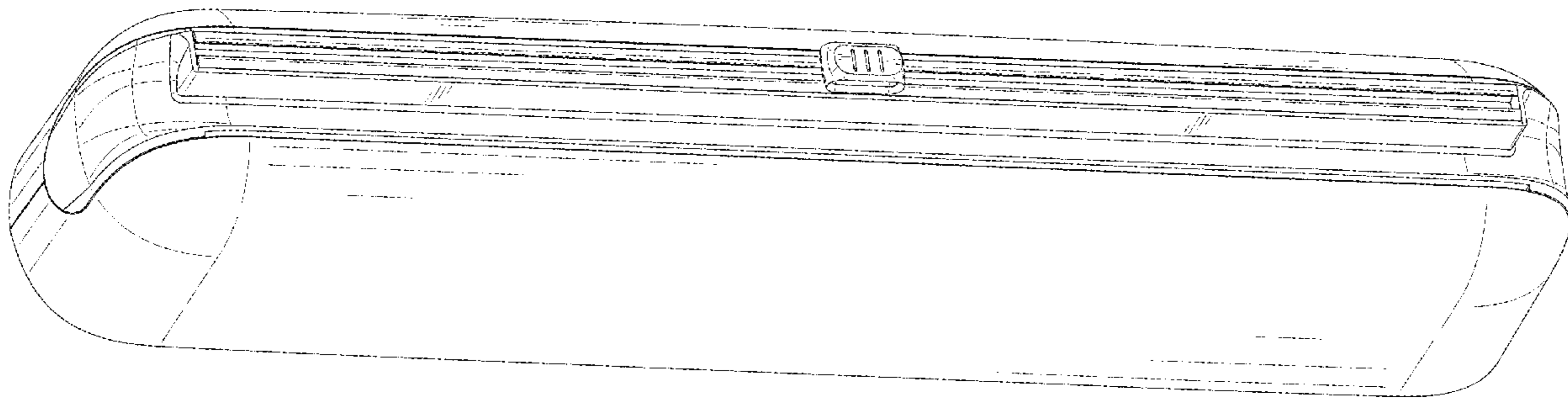
(57) **CLAIM**

The ornamental design for a cling wrap dispenser, as shown and described.

DESCRIPTION

FIG. 1 is a perspective view of a cling wrap dispenser showing my new design;
 FIG. 2 is another perspective view thereof;
 FIG. 3 is a front elevational view thereof;
 FIG. 4 is a rear elevational view thereof;
 FIG. 5 is a left side elevational view thereof;
 FIG. 6 is a right side elevational view thereof;
 FIG. 7 is a top plan view thereof; and,
 FIG. 8 is a bottom plan view thereof.
 The broken lines in the drawings depict portions of the cling wrap dispenser that form no part of the claimed design.

1 Claim, 8 Drawing Sheets



(56)

References Cited

U.S. PATENT DOCUMENTS

2005/0005755 A1* 1/2005 Turvey B65D 83/0864
83/649
2007/0022857 A1* 2/2007 Schreiter B26D 1/045
83/614
2008/0098868 A1* 5/2008 Guillory B65H 35/0086
83/649
2009/0188366 A1* 7/2009 Habra B26D 7/2614
83/649
2009/0293695 A1* 12/2009 Sacchetta B65H 35/002
83/649
2010/0288094 A1* 11/2010 Pynt B26D 7/14
83/56
2019/0168985 A1* 6/2019 Vegliante B26D 7/14

* cited by examiner

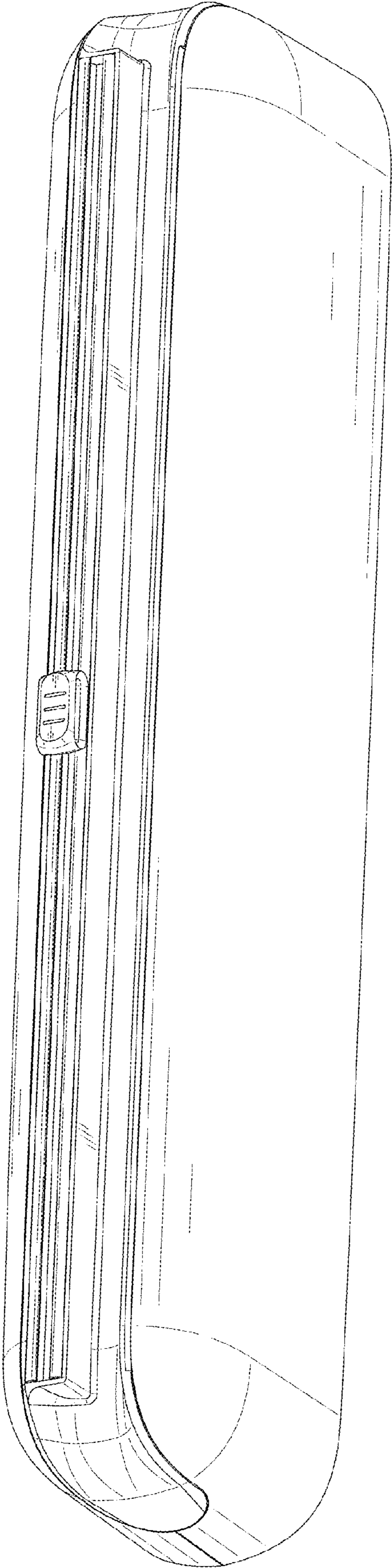


FIG. 1

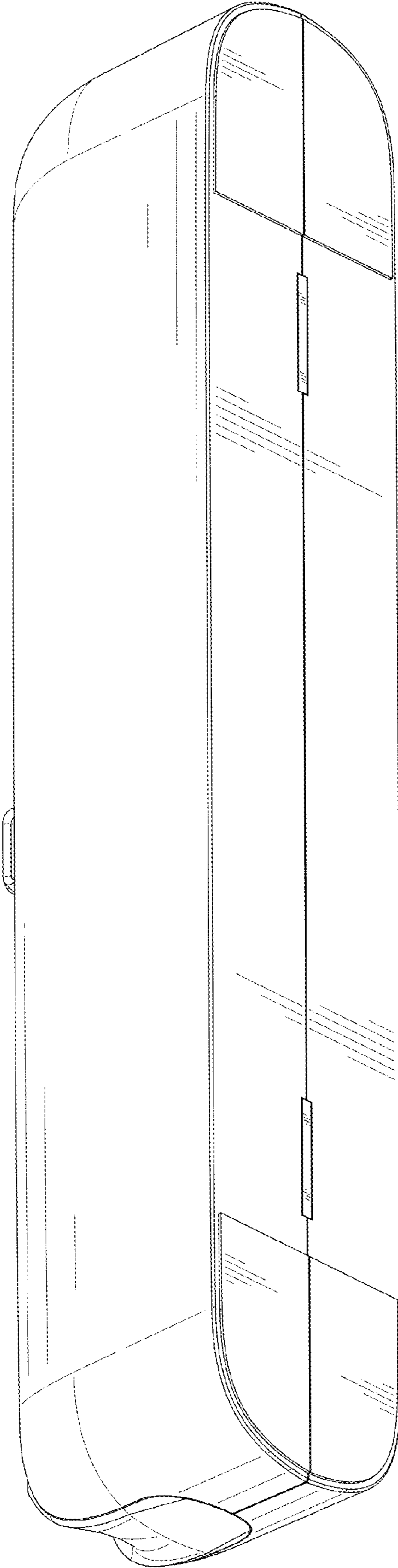


FIG. 2

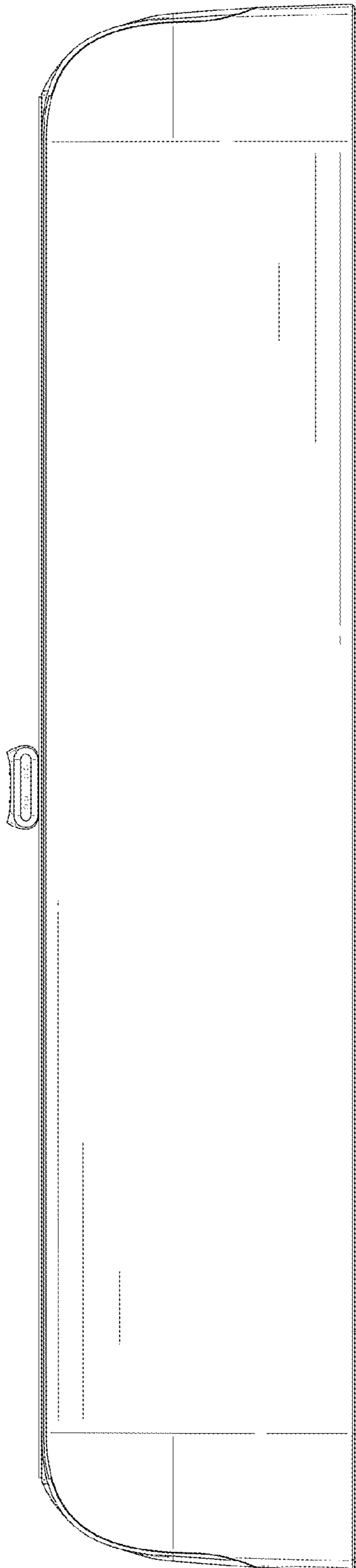


FIG. 3

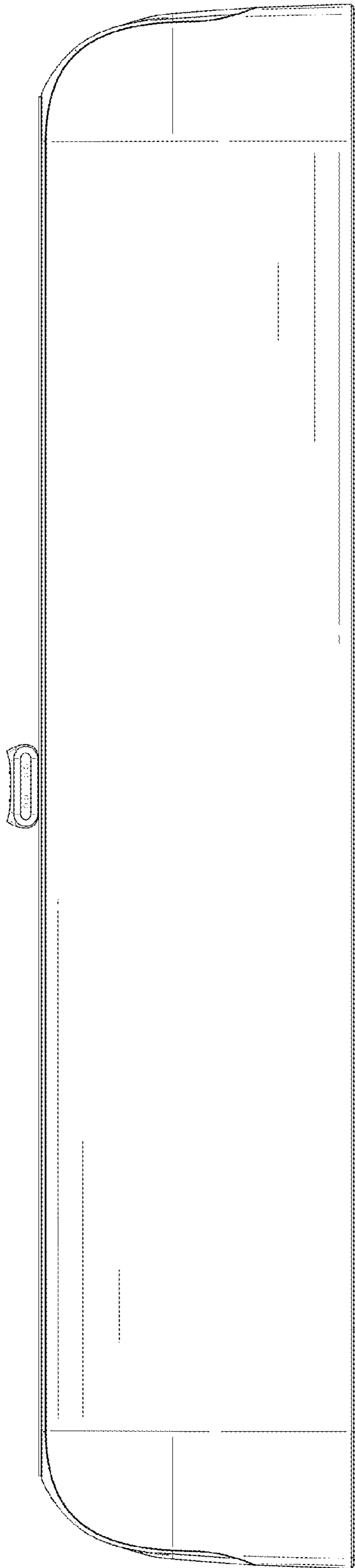


FIG. 4

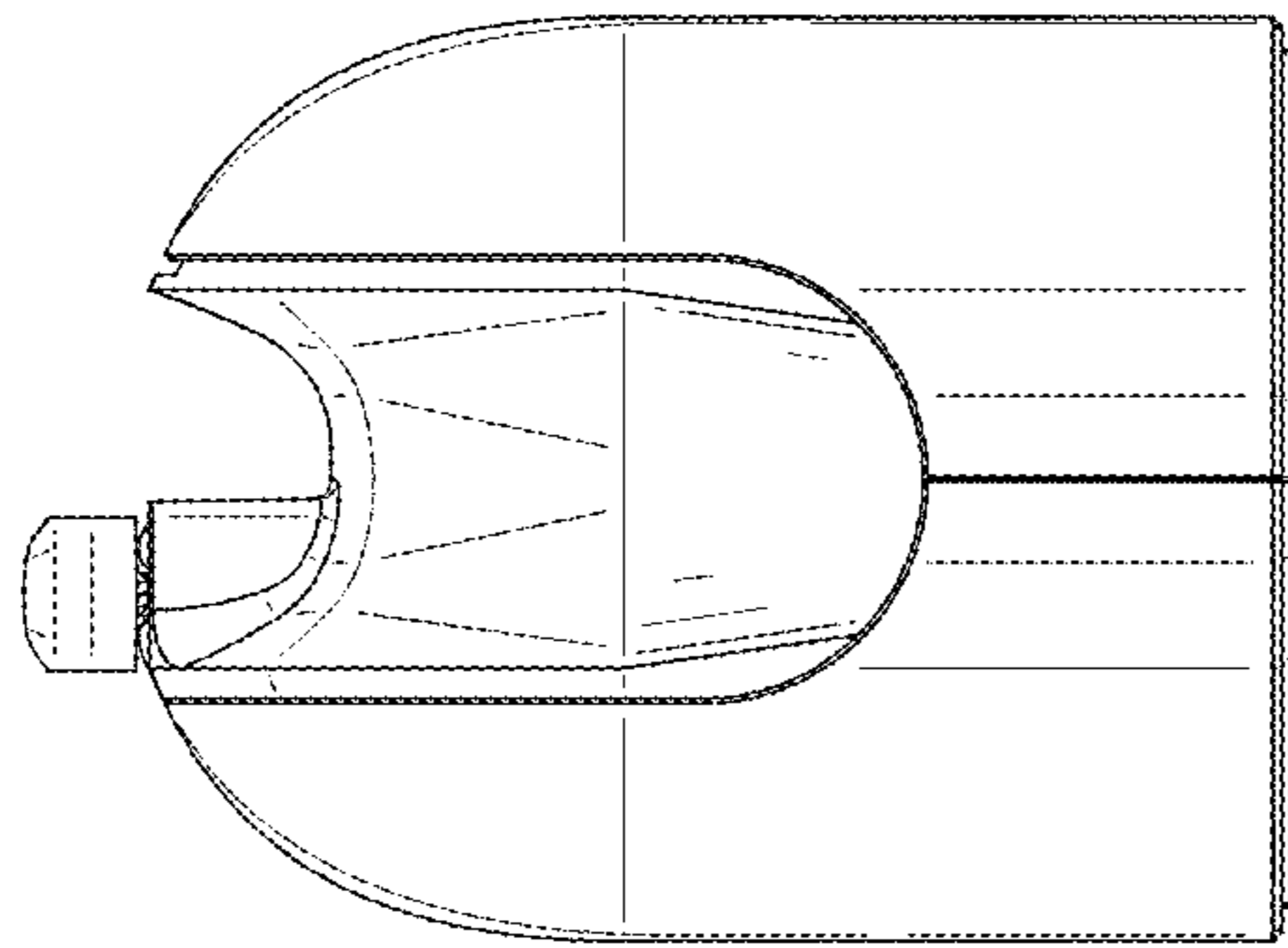


FIG. 5

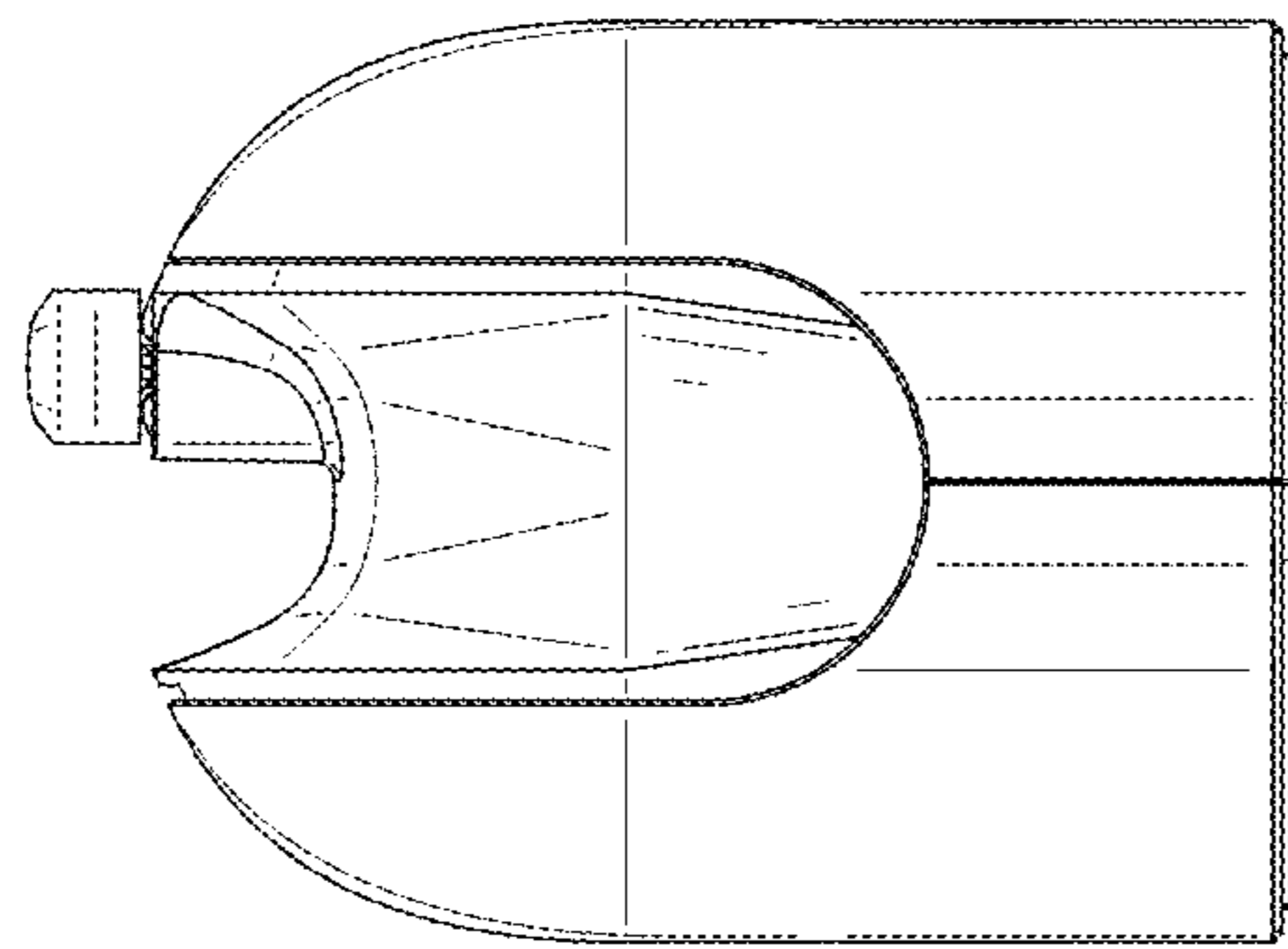


FIG. 6

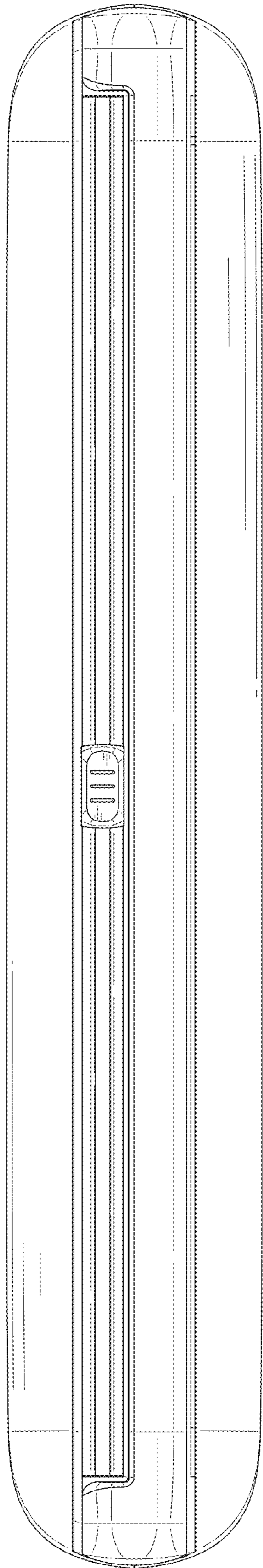


FIG. 7

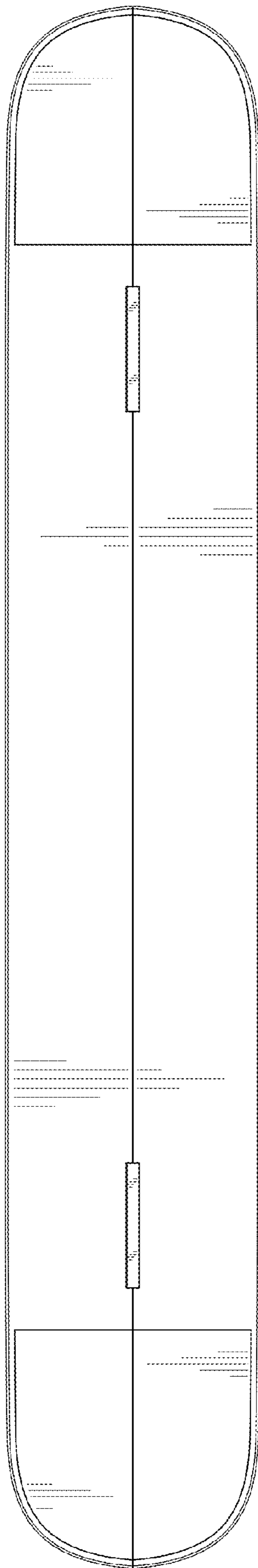


FIG. 8