

US00D972855S

(12) **United States Design Patent**
Koren

(10) **Patent No.:** **US D972,855 S**

(45) **Date of Patent:** **** Dec. 20, 2022**

- (54) **DRAIN SHIELD**
- (71) Applicant: **Robert Douglas Koren**, Cary, NC (US)
- (72) Inventor: **Robert Douglas Koren**, Cary, NC (US)
- (**) Term: **15 Years**
- (21) Appl. No.: **29/747,614**
- (22) Filed: **Aug. 24, 2020**
- (51) **LOC (13) Cl.** **06-04**
- (52) **U.S. Cl.**
USPC **D6/403**
- (58) **Field of Classification Search**
USPC D23/213, 223, 233, 249, 250, 253,
D23/259-269, 323, 333; D7/300.1, 313,
D7/388, 509, 510, 523; D14/188, 194,
D14/195, 204, 221, 228; D26/26, 37, 40,
D26/46, 49, 93, 104, 105; D15/7;
D24/108, 110.6, 112, 129; D6/403;
D11/143, 152, 155, 164
CPC F16L 1/00; F16L 9/00; F16L 13/00; F16L
13/146; F16L 2101/00; F16L 17/035;
F16L 37/10; F16L 41/06; F16L 41/12;
F16L 41/14; F16L 41/082; F16L 47/30;
A47L 9/02; A47L 9/24; A47L 9/242;
A47L 9/244; A47L 9/248; A61M 16/08;
A61M 16/0816; A61M 16/0833; A61M
29/00; A61M 39/223; A01G 9/02; A01G
9/04; A01G 9/042
See application file for complete search history.

- D445,638 S * 7/2001 Bodum D7/388
- D445,639 S * 7/2001 Bodum D7/388
- 6,510,653 B1 * 1/2003 Workum A01G 9/04
47/65.5
- D528,039 S * 9/2006 Sellers D11/164
- D555,389 S * 11/2007 Kershaw D6/403
- D619,040 S * 7/2010 Sellers D11/155
- D743,299 S * 11/2015 Gillingham D11/152
- D743,838 S * 11/2015 Gillingham D11/152
- 2009/0229180 A1 * 9/2009 Rich A01G 9/042
47/71
- 2022/0053708 A1 * 2/2022 Koren A01G 9/04

* cited by examiner

Primary Examiner — Gino Colan

Assistant Examiner — David OBrien

(74) *Attorney, Agent, or Firm* — Coats & Bennett, PLLC

(57) **CLAIM**

The ornamental design for a drain shield, as shown and described.

DESCRIPTION

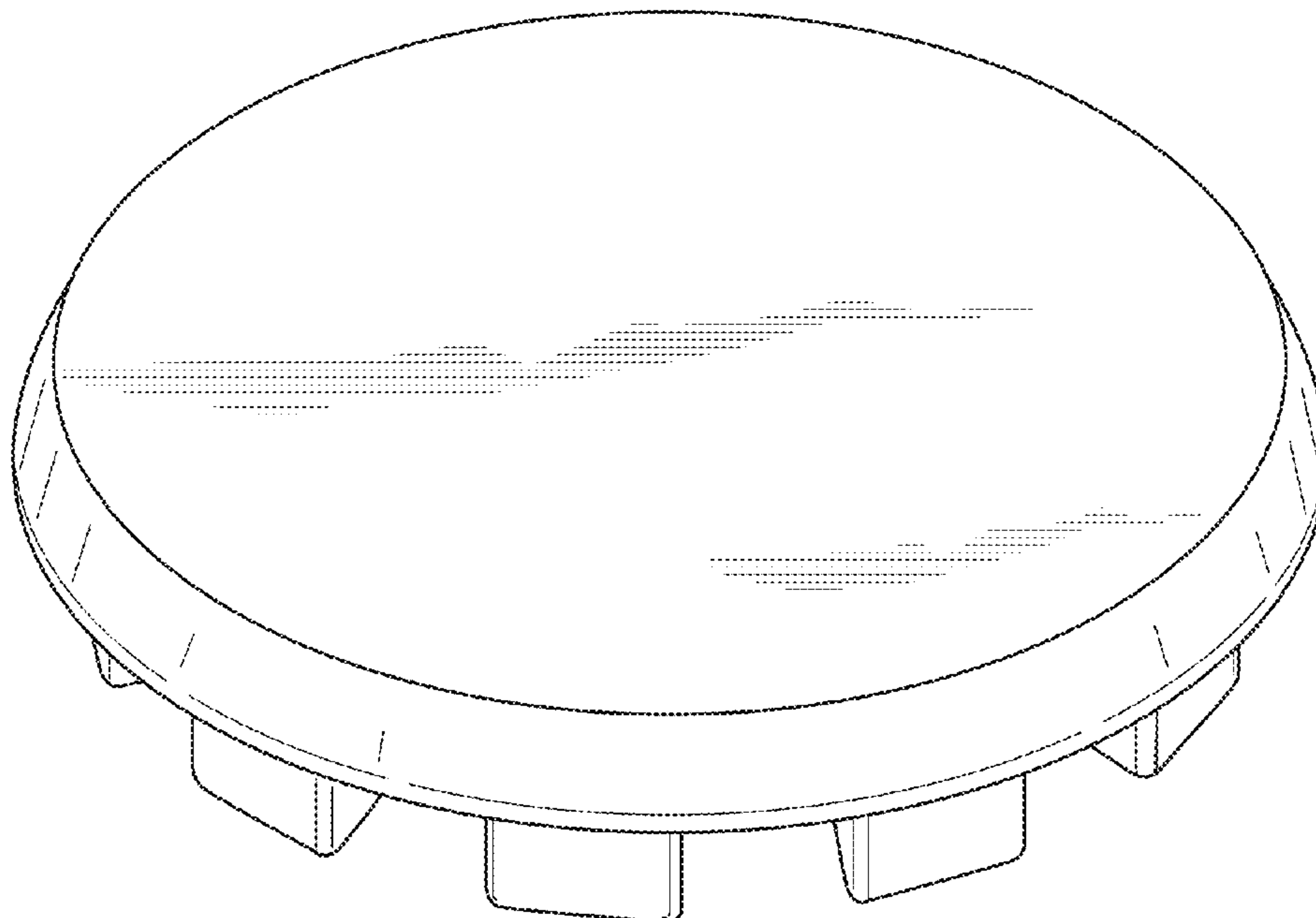
- FIG. 1 is a perspective of the drain shield from above.
- FIG. 2 is a bottom view of the drain shield.
- FIG. 3 is a top view of the drain shield.
- FIG. 4 is a side view of the drain shield.
- FIG. 5 is a section view of the drain shield taken though line V-V in FIG. 2; and,
- FIG. 6 is a perspective of the drain shield from below.

1 Claim, 6 Drawing Sheets

(56) **References Cited**

U.S. PATENT DOCUMENTS

- 4,833,823 A * 5/1989 Edwards, III A01G 9/04
248/346.11
- D399,788 S * 10/1998 Wagner D6/403



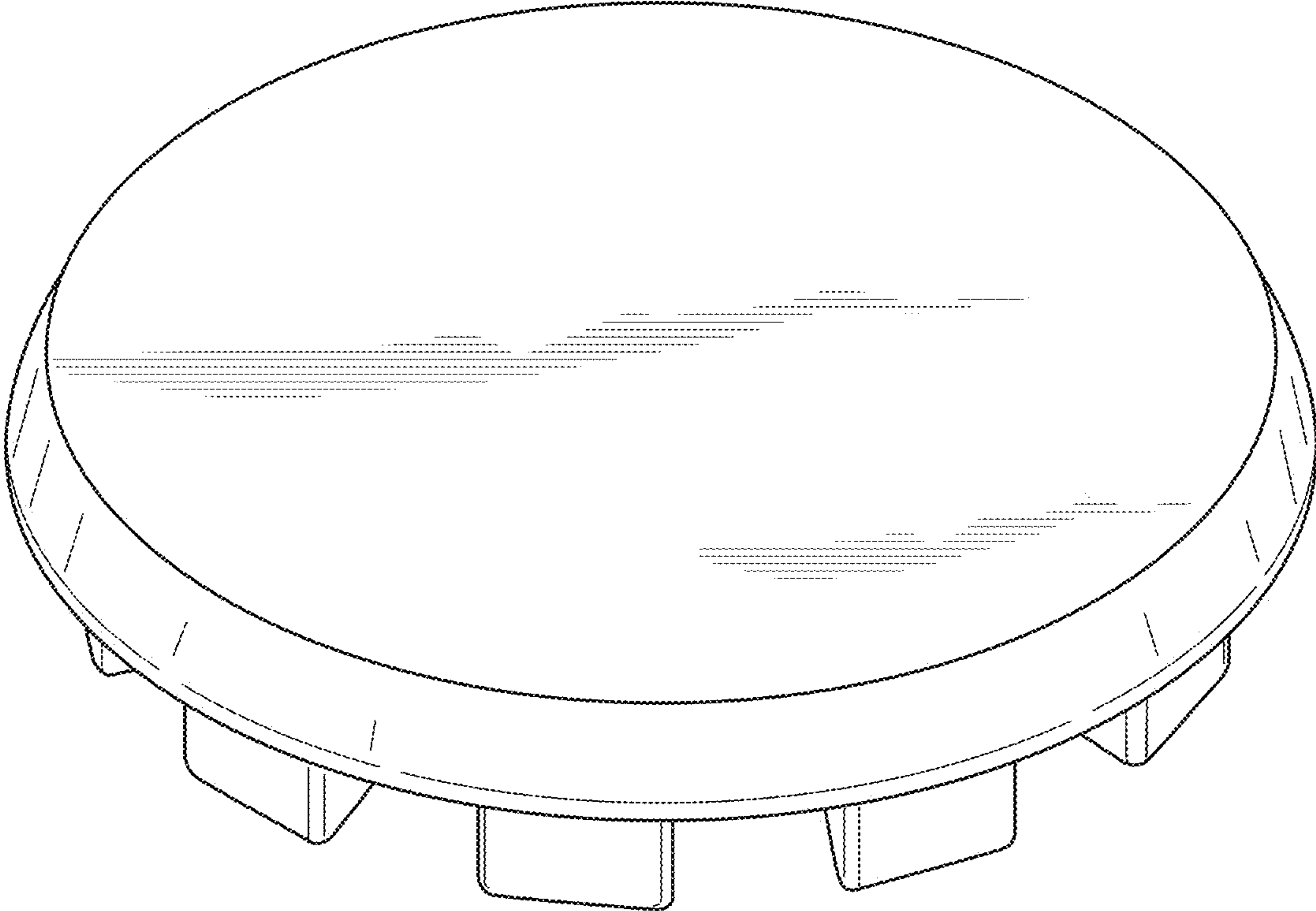


FIG. 1

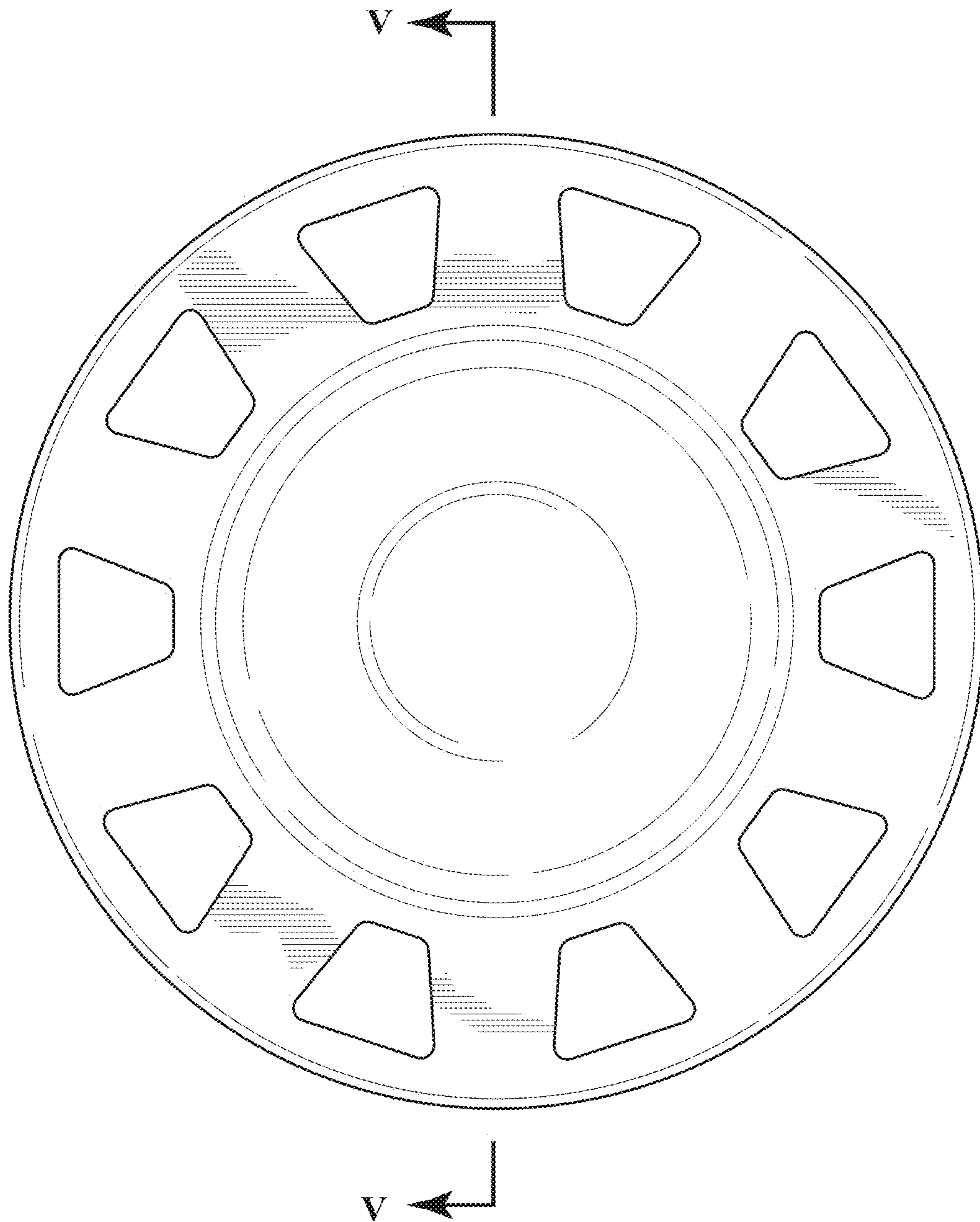


FIG. 2

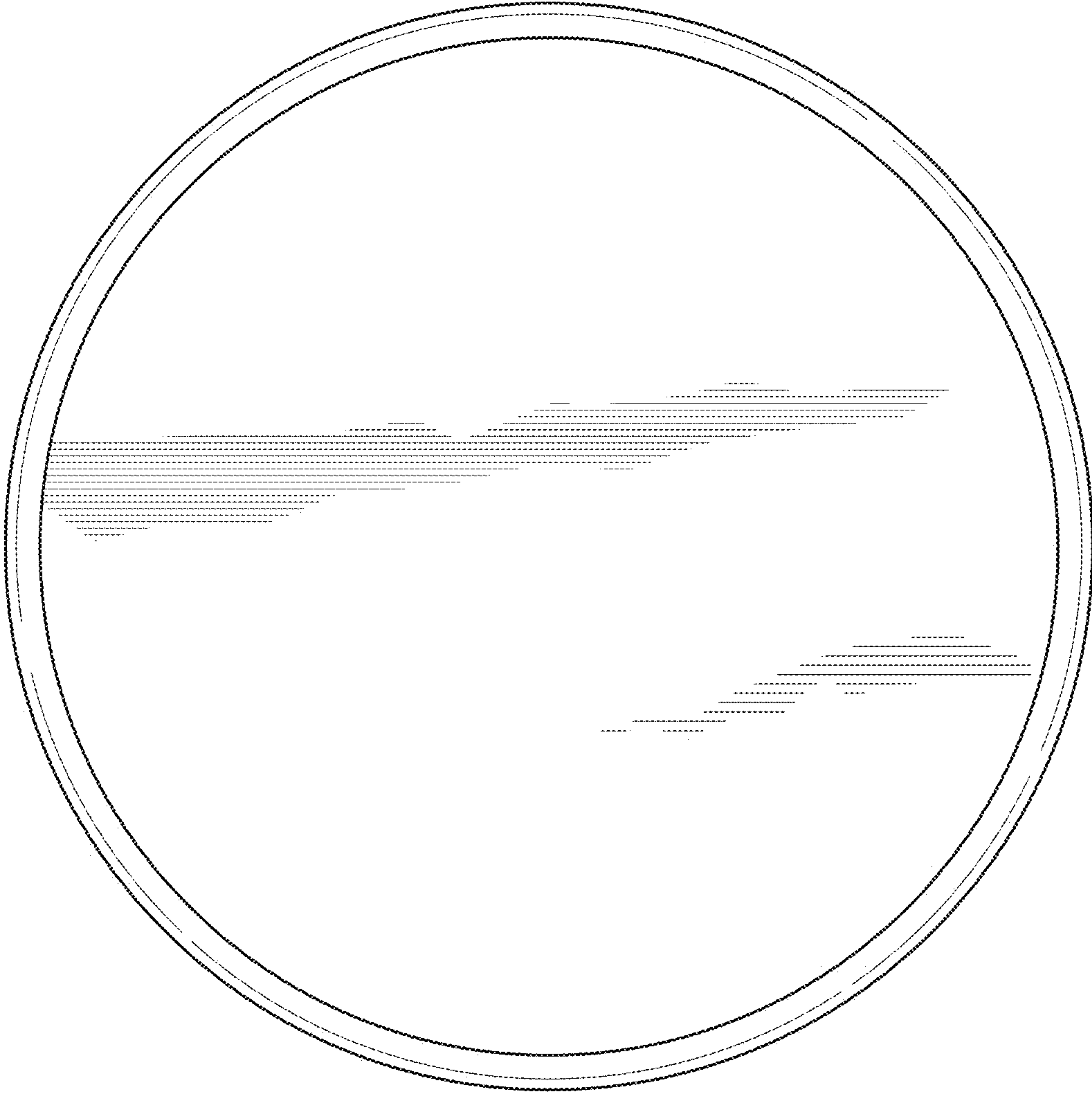


FIG. 3

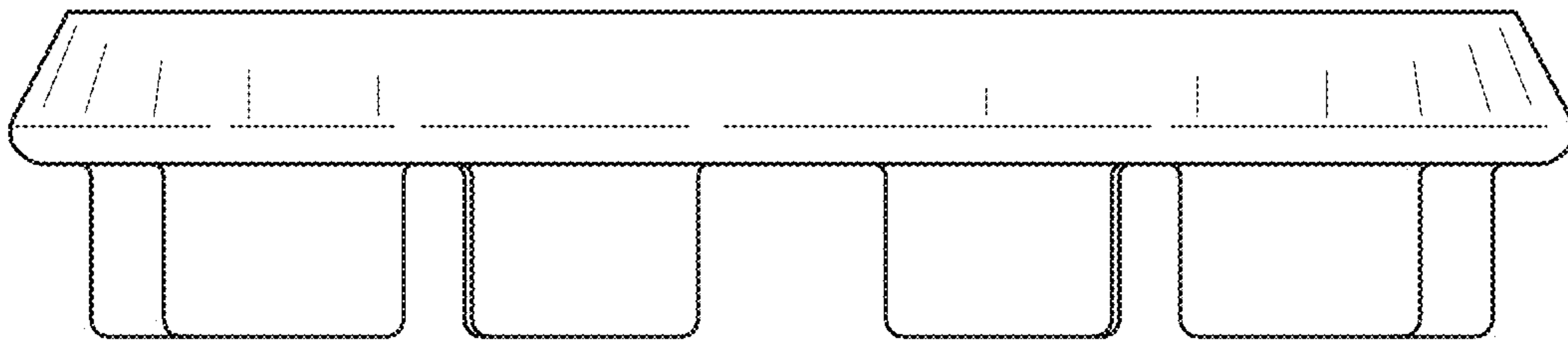


FIG. 4

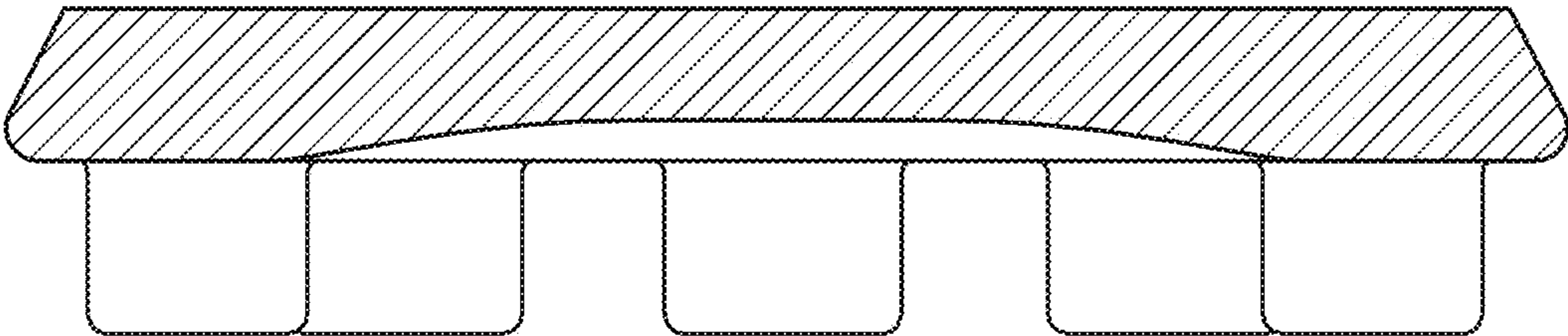


FIG. 5

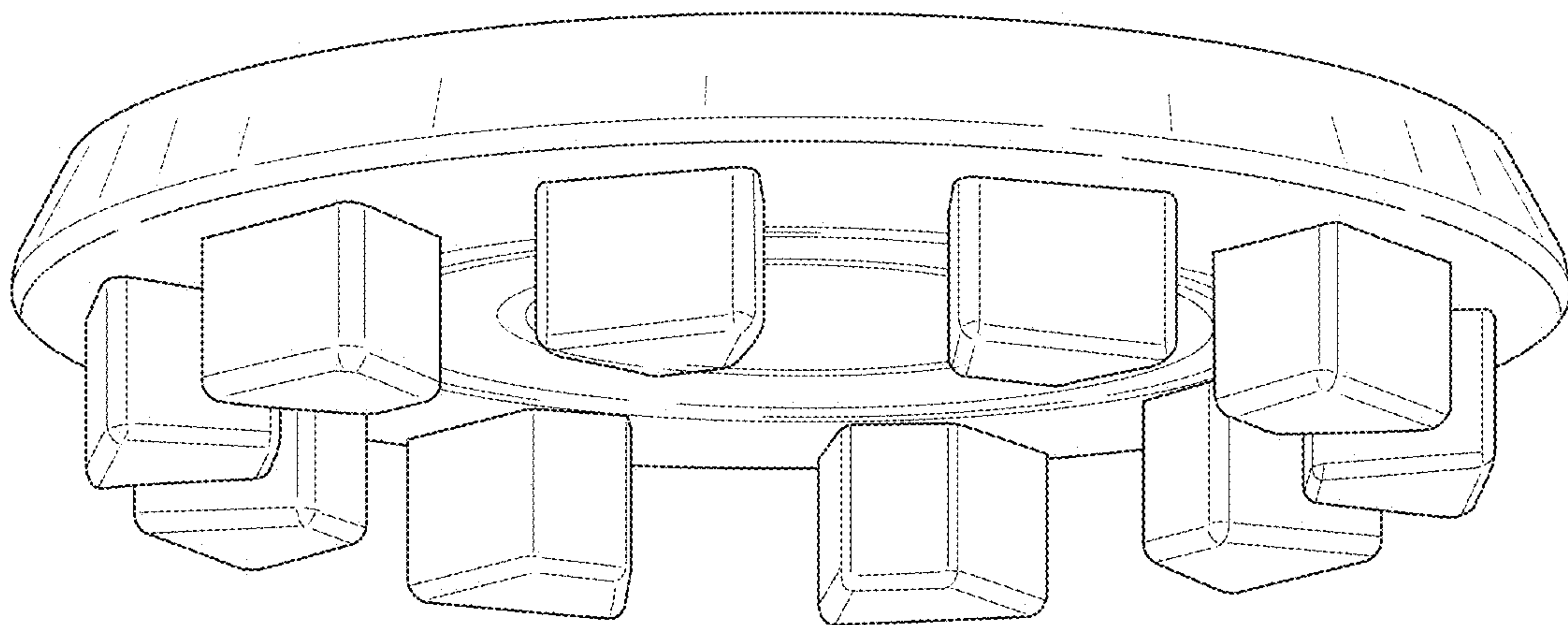


FIG. 6